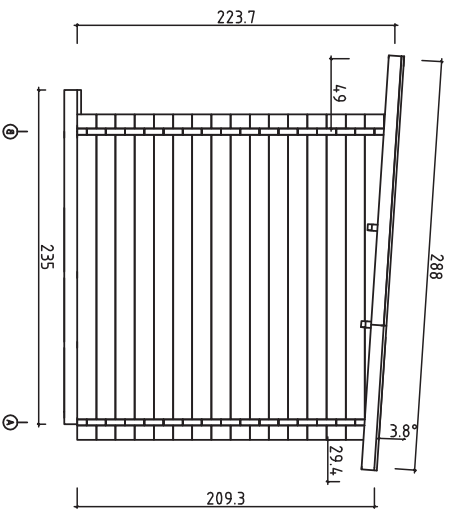
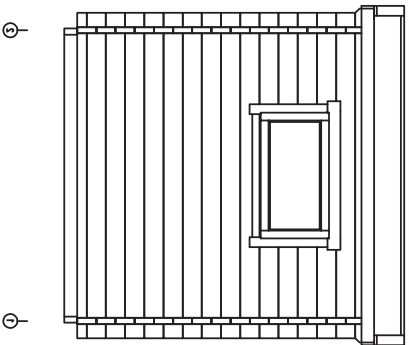
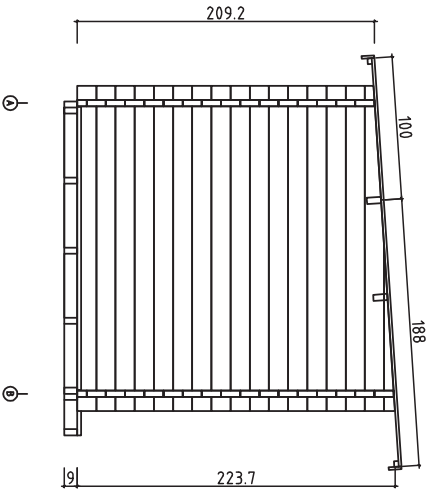
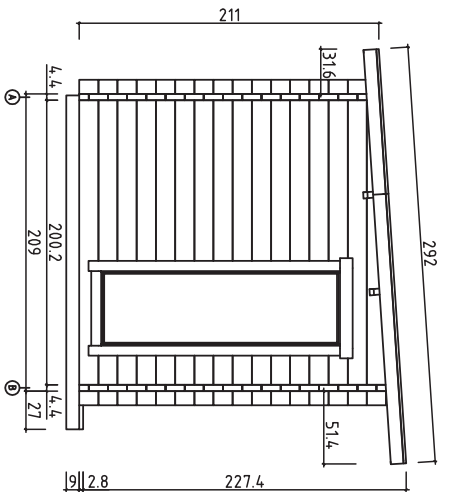
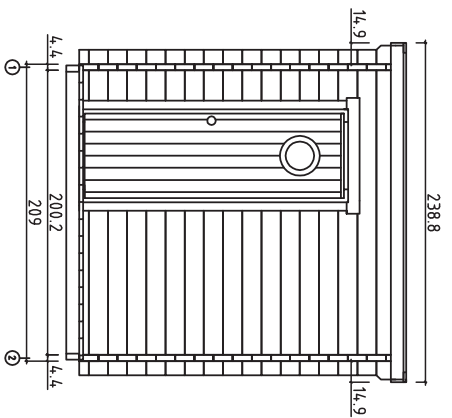
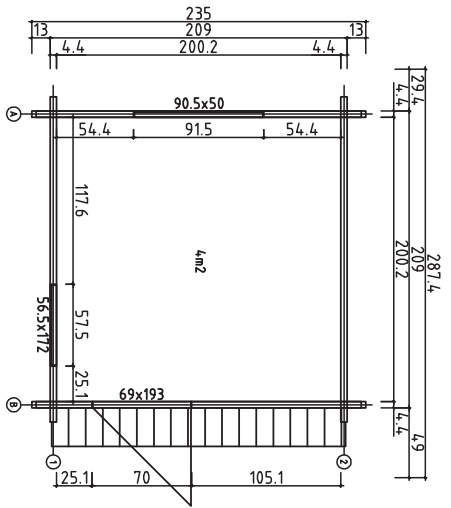


Date rev. Description

|          |                |       |                        |
|----------|----------------|-------|------------------------|
| House    | S2020-44 Pekka | Sheet | 1                      |
| Drawing  | 3D             | Scale |                        |
| Material | 4,4x135        | Date  | 27.10.2015             |
| Drawer   | K.K.           | File  | S2020-44, Pekka 3D.dwg |



Roof Pmax=200kg/m2  
V 1.0

Date rev. Description

House S2020-44, Pakka

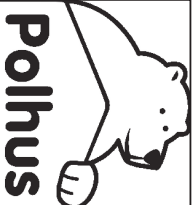
Sheet 2

Drawing Views-kuvat-sedd

Scale 1:50

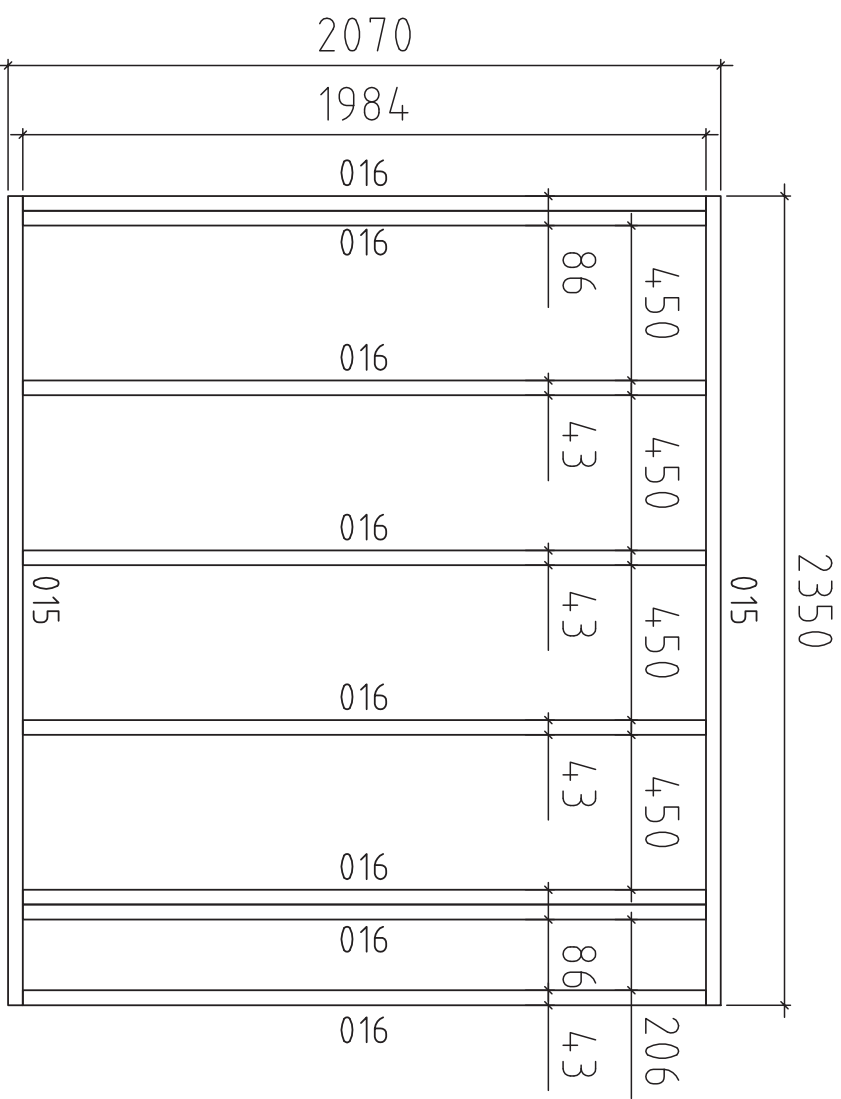
Material 4.4,x135

Date 01.12.2015




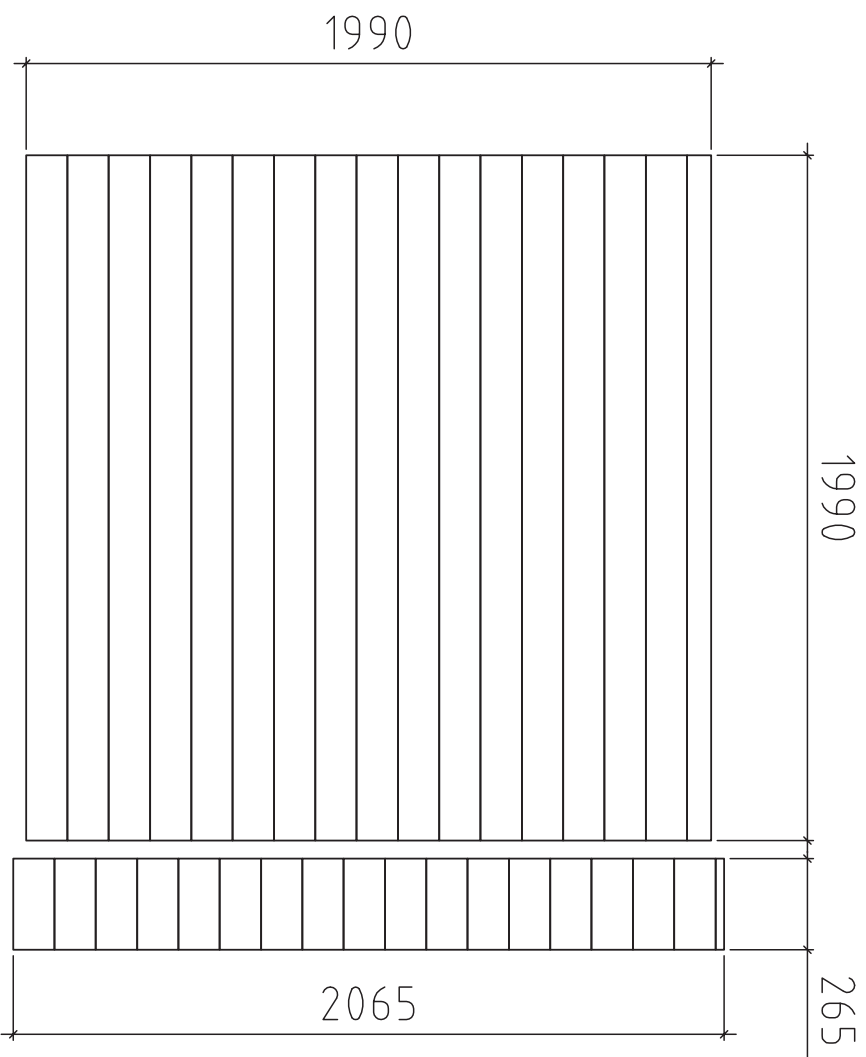
Drawer K.K.

File S2020-44, Pakka-Views.dwg




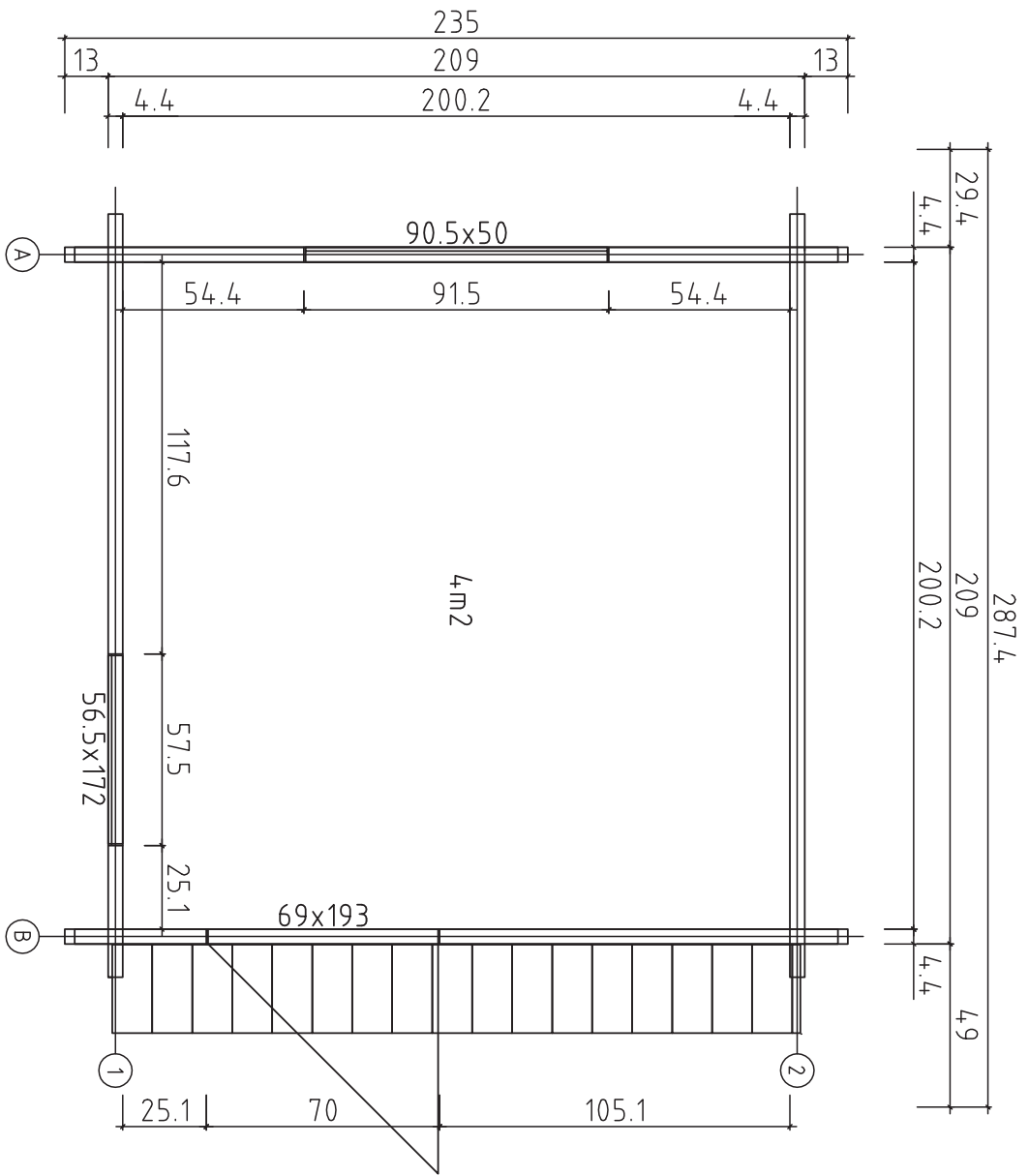
Date rev. Description

|   |                                    |       |                    |
|---|------------------------------------|-------|--------------------|
|  <b>Polhus</b> |                                    |       |                    |
| House   | S2020-44 Pekka                     | Sheet | 3                  |
| Drawing   | FLOORBEAMS-LATTAPALKIT-GOLVBJÄLKAR | Scale | 1:20               |
| Material  | 43X90                              | Date  | 27.10.2015         |
| Drawer  | K.K.                               | File  | S2020-44 Pekka.dwg |




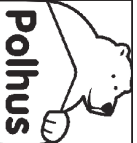
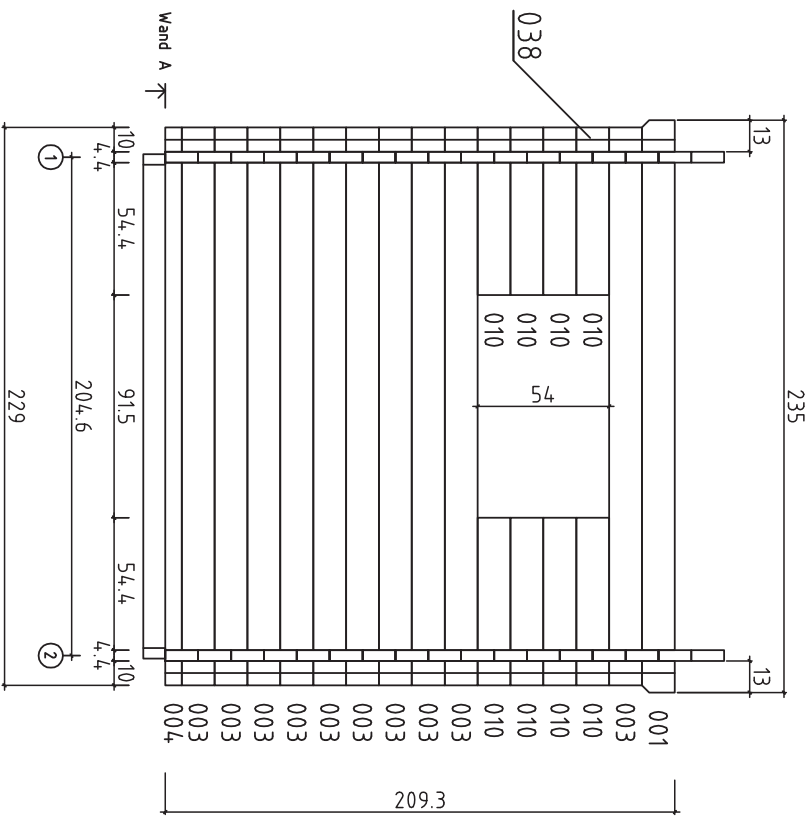
Date rev. Description

|   |                                  |       |                |                    |            |
|---|----------------------------------|-------|----------------|--------------------|------------|
|  <b>Polhus</b> |                                  | House | S2020-44 Pekka | Sheet              | 4          |
| Drawing   | Grundplan-Pohjapiirros-Grundplan |       |                | Scale              | 1:20       |
| Material  | 4,4X135                          |       |                | Date               | 27.10.2015 |
| Drawer  | K.K.                             |       | File           | S2020-44 Pekka.dwg |            |

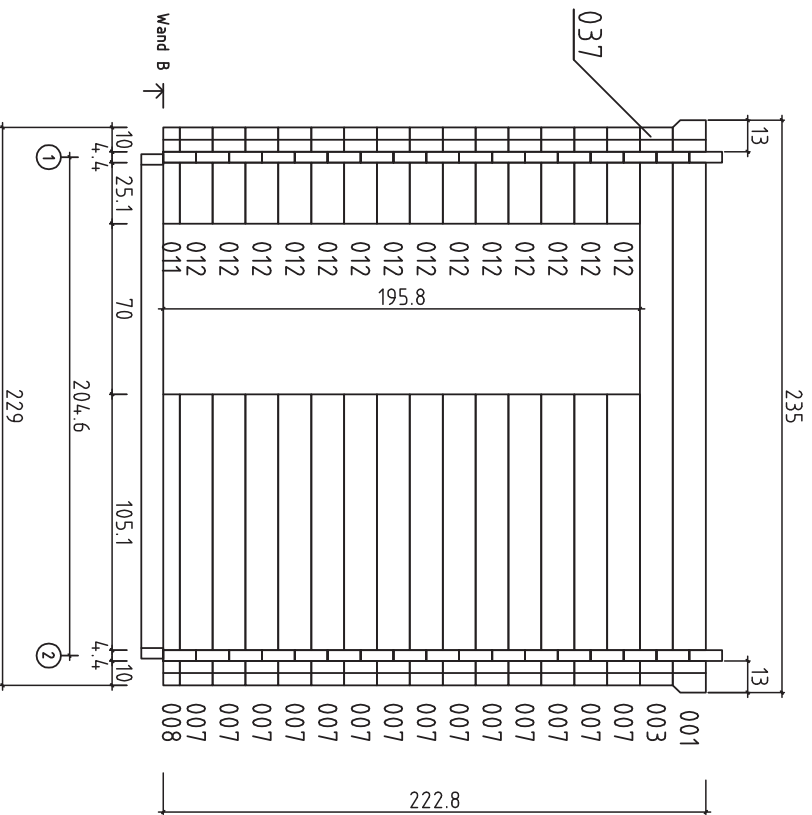


Date rev. Description

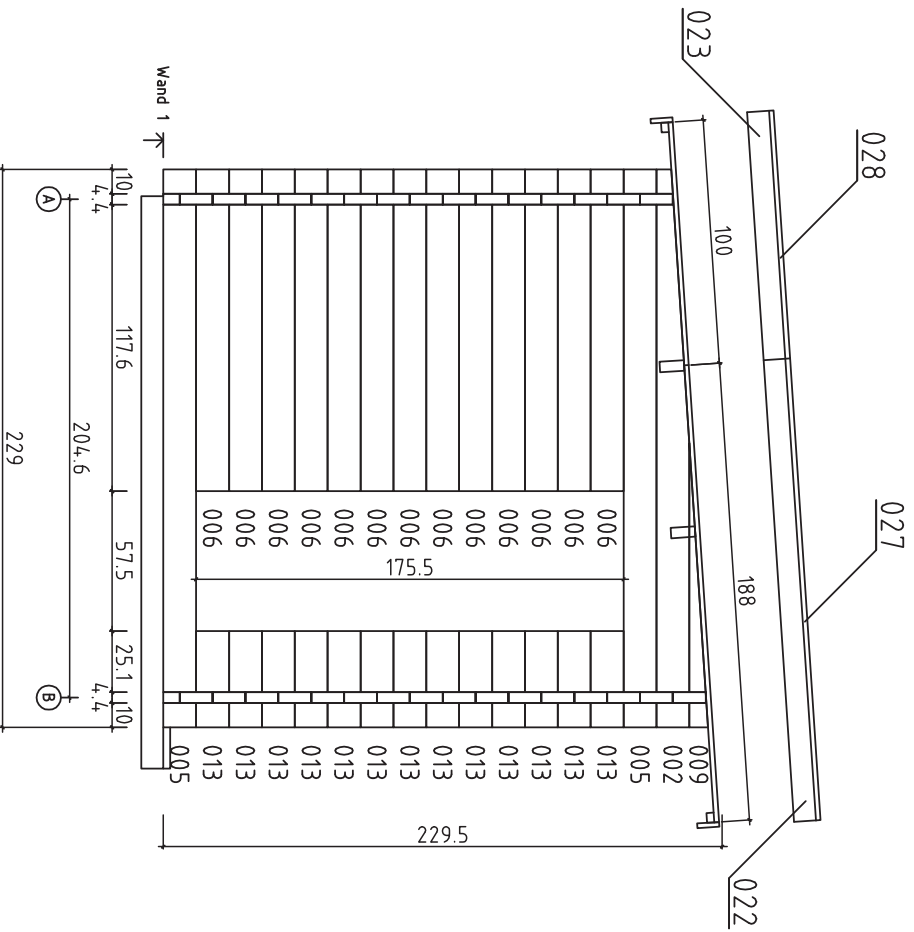
|   |                                  |       |                    |
|---|----------------------------------|-------|--------------------|
|  <b>Polhus</b> |                                  |       |                    |
| House   | S2020-44 Pekka                   | Sheet | 5                  |
| Drawing   | Grundplan-Pohjapiirros-Grundplan | Scale | 1:20               |
| Material  | 4,4x135                          | Date  | 27.10.2015         |
| Drawer  | K.K.                             | File  | S2020-44 Pekka.dwg |



| Date     |                           | rev.  |                     | Description |  |
|----------|---------------------------|-------|---------------------|-------------|--|
| House    | S2020-44, Pekka           | Sheet | 6                   |             |  |
| Drawing  | Grundplan-Pohjapiirros-Gr | Scale | 1:20                |             |  |
| Material | 4,4x135                   | Date  | 27.10.2015          |             |  |
| Drawer   | K.K.                      | File  | S2020-44, Pekka.dwg |             |  |

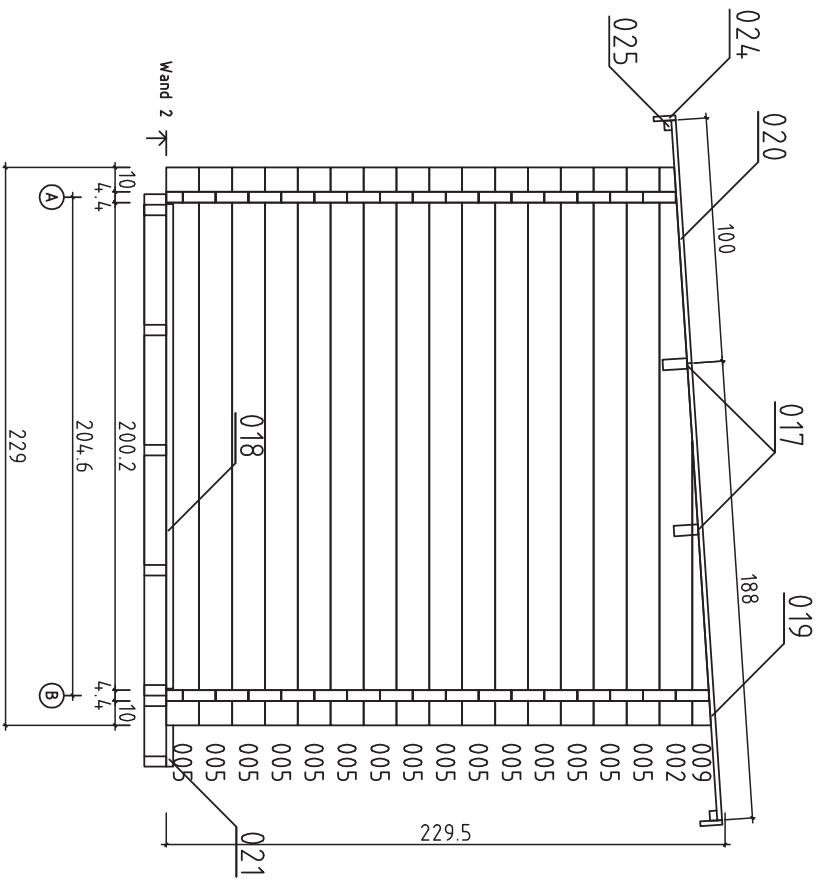


| House           | Date | rev. | Description                | Sheet      |
|-----------------|------|------|----------------------------|------------|
| S2020-44, Pekka |      |      |                            | 7          |
| Draining        |      |      | Groundplan-Pohjapiirros-Gr |            |
| Material        |      |      | 4,4x135                    |            |
| Drawer          |      |      | K.K.                       |            |
| File            |      |      | S2020-44, Pekka.dwg        |            |
|                 |      |      |                            | Date       |
|                 |      |      |                            | 27.10.2015 |



| Date     |  | rev.  |  | Description |                    |
|----------|--|-------|--|-------------|--------------------|
| House    | S2020-44                               | Pekka |  | Sheet       | 8                  |
| Drawing  | Groundplan-Pohjapiirros-Grundplan 1:20 |       |  |             |                    |
| Material | 4,4x135                                |       |  | Date        | 27.10.2015         |
| Drawer   | K.K.                                   |       |  | File        | S2020-44_Pekka.dwg |





| Date   | rev. | Description                                    | Sheet           |
|--------|------|--|-----------------|
|        |      | House S2020-44, Pekka                          | 9               |
|        |      | Drawing Groundplan-Pohjapiirros-Grundplan 1:20 |                 |
|        |      | Material 4,4x135                               | Date 27.10.2015 |
| Drawer | K.K. | File S2020-44, Pekka.dwg                       |                 |

# PAKK L<2.35m

| Pos        | S2020-44 Pekka                                  | Pcs.         | Profile (mm)    | L (mm)       |      |
|------------|---|--------------|-----------------|--------------|------|
| 001        | tongue cut off                                  | 2            | 44x135          | 2350         |      |
| 002        |   | 2            | 44x135          | 2290         |      |
| 003        |   | 11           | 44x135          | 2290         |      |
| 004        |   | 1            | 44x68           | 2290         |      |
| 005        | +1= EXTRA PROFILE                               | 17+1         | 44x135          | 2290         |      |
| 006        |   | 13           | 44x135          | 1320         |      |
| 007        |   | 14           | 44x135          | 1195         |      |
| 008        |   | 1            | 44x68           | 1195         |      |
| 009        |   | 2            | 44x77           | 1167         |      |
| 010        |   | 8            | 44x135          | 687          |      |
| 011        |   | 1            | 44x68           | 395          |      |
| 012        |   | 14           | 44x135          | 395          |      |
| 013        |   | 13           | 44x135          | 395          |      |
| 014        | BOARD FOR ASSEMBLING - ASENNUSLAUTA - SLAGBRÄDE | 2            | 44x135          | 300          |      |
| W1-1       |   | 1            | 44x212          | 2290         |      |
| W2-1       |   | 1            | 44x212          | 2290         |      |
| 015        | FLOORBEAMS-LATTIAPALKIT-GOLVBJÄLKAR             | IMM          | 2               | 43x90        | 2350 |
| 016        | FLOORBEAMS-LATTIAPALKIT-GOLVBJÄLKAR             | IMM          | 8               | 43x90        | 1984 |
| 017        | PURLINS-KATTO ORRET-TÅKASAR                     | 2            | 43x140          | 2350         |      |
| 018        | SAUNA BOARDS-SAUNA LATTIALAUTA-SAUNA GOLVBRÄDE  | 17           | 120x28          | 1990         |      |
| 019        | ROOFBOARDS-KATTOLAUTA-TAKBRÄDE                  | 21+1<br>27+1 | 114x19<br>88x19 | 1880<br>1880 |      |
| 020        | ROOFBOARDS-KATTOLAUTA-TAKBRÄDE                  | 21<br>27     | 114x19<br>88x19 | 1000<br>1000 |      |
| 021        | TERRACE BOARD-TERASSILAUTA-TERASSBRÄDE          | IMM          | 18              | 120x28       | 265  |
|            | FLOOR FILLET-FUSSBODENLEISTE-VLOERPLINT         |              |                 | 18x35        | 8,0  |
| 022<br>023 | GABLE BOARDS-KAAPELILAUTA-GAVELBRÄDE            | 2<br>2       | 19x90           | 1900<br>1020 |      |

















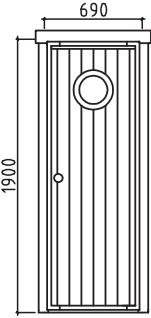
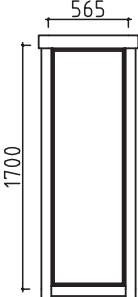
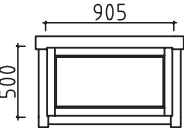
Kood S2020-44 Pekka

Materjal

File S2020-44 Pekka.dwg

Leht 10

PAKK L<2.35m

| Pos        | S2020-44 Pekka  | Pcs.   | Profile (mm) | L (mm)       |
|------------|---|--------|--------------|--------------|
| 024        | EAVE BOARD-RÄYSTÄSLAUTA-TAKFOTSBRÄDE   | 2      | 19x90        | 2350         |
| 025        | EAVE SLAT-RÄYSTÄSLISTA-TAKFOTSLIST   | 2      | 30x40        | 2350         |
| 026        | ROOF FELT FILLET-KAAPELILAUDAN PEITELAUTA    | 1      | 19x70        | 2248         |
| 027        | BRÄDE OVANPÅ GAVELBRÄDE    | 2      | 19x70        | 1900         |
| 028        | ROOF FELT FILLET-KAAPELILAUDAN PEITELAUTA    | 2      | 19x70        | 1020         |
| 029        | WINDOW HANDLE-IKKUNA KAHVA-FÖNSTER HANDTAG    | 1+1+1  |              |              |
| 030        | DOOR KNOB/OVEN PAINIKE/DÖRR HANDTAG    | 1      |              |              |
| 031        | DOOR HINGES-OVEN SARANAT-DÖRR GÅNGJÄRN   | 3      |              |              |
| 032        | NAILS - NAULAT - SPIKAR  ROOFBOARDS-KATTOLAUTA-TAKBRÄDE  | 140    | 2.5          | 60           |
| 033        | SCREWS - RUUVIT - SKRUVAR  FLOORBEAMS-LATTIAPALKIT-GOLVBJÄLKAR<br>HALFBEAMS-PUOLEKSIPALKIT-FÖR ATT HALVA VÄGGPROFILER                      | 50     | 4.5          | 90           |
| 034        | SCREWS - RUUVIT - SKRUVAR  TERRACE BOARDS-TERASSILAUTA-TERASSBRÄDE<br>SAUNA BOARDS-SAUNA LATTIALAUTA-SAUNA GOLVBRÄDE                       | 300    | 4.5          | 70           |
| 035        | SCREWS - RUUVIT - SKRUVAR  GABLE BOARDS-KAAPELILAUTA-VINDBRÄDE<br>EAVE BOARD-RÄYSTÄSLAUTA-TAKFOTBRÄDE<br>EAVE SLAT-RÄYSTÄSLISTA-TAKFOTLIST | 40     | 4.5          | 50           |
| 036        | SCREWS - RUUVIT - SKRUVAR  ROOF FELT FILLET-KAAPELILAUDAN PEITELAUTA<br>TAKBRÄDE FÖR VINDBRÄDE  | 14     | 3.5          | 35           |
| 037<br>038 | SCREW JOINT-KIERRETANKO-GÄNGSTAPP   | 2<br>2 | ØM10         | 2250<br>2100 |
| 037        | Door-ovi-dörr 690x1900 (right-oikea käsi-höger hand) 1pc-kpl-st<br><br>ORT_ECO   | 1      | 690          | 1900         |
| 038        | Window-ikkuna-fönster 565x1700 1pc-kpl-st<br><br>ORT_ECO   | 1      | 565          | 1700         |
| 039        | Window-ikkuna-fönster 905x500 1pc-kpl-st<br><br>ORT_ECO  | 1      | 905          | 500          |



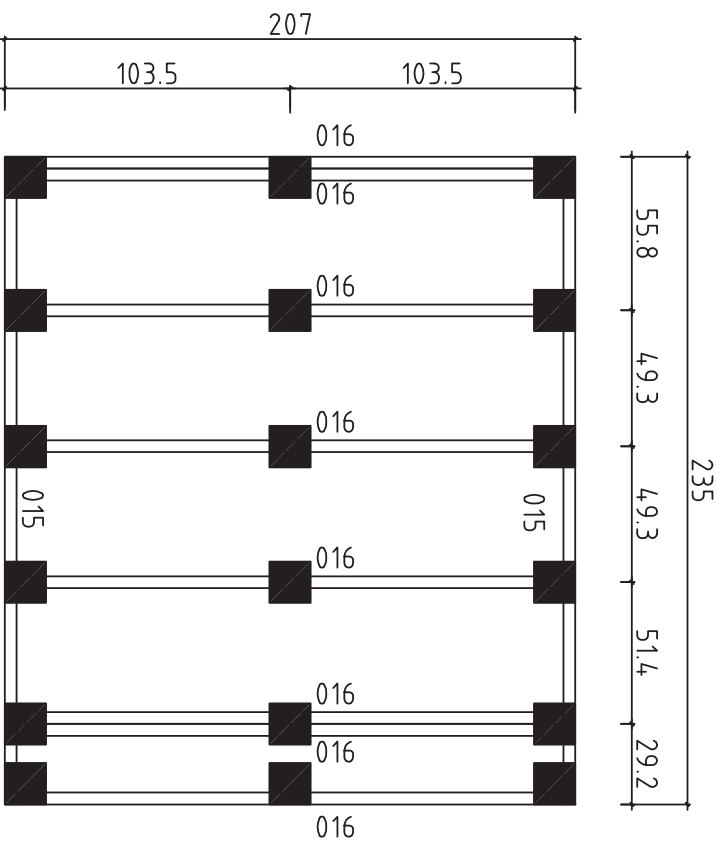
Polhus

Kood S2020-44 Pekka

Materjal

File S2020-44 Pekka.dwg

Leht 11



Detta är ett förslag för hur man kan placera plintarna (100- 200 mm i diameter) för golvbjälklaget. Golvbjälkarna är med i byggsatsen, men inte plintarna. Använder man exempelvis 500-600mm långa murblock så kan man halvera antalet punkter. Lägg fuktskyddande papp mellan betong och trä

Tämä on ehdotus siitä, miten (100-200 mm läpimitaiset) jalat voidaan sijoittaa alapohjaa varten. Lattiapalkit ovat rakennussarjassa, mutta jalat ei ole. Kun käytetään esimerkiksi 500-600 mm pitkiä harkkoja, voidaan pisteiden määrä puoltaa. Aseta betonin ja puun väliin kosteudelta suojaava pahi

A proposal for placing plinths (100-200 mm in diameter) for floor beams. Floor beams are provided in the kit but plinths are not included. For example, by using 500-600 mm long masonry units, one can reduce the number of points 50%. Place cardboard between the concrete and wood to protect from moisture

Date rev. Description

|          |                             |       |                     |
|----------|-----------------------------|-------|---------------------|
| House    | S2020-44, Pekka             | Sheet | 12                  |
| Drawing  | FOUNDATION PLAN - PLINTPLAN | Scale | 1:25                |
| Material |                             | Date  | 01.12.2015          |
| Drawer   | KK                          | File  | S2020-44, Pekka.dwg |