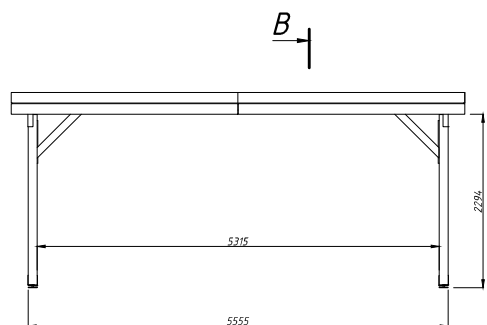
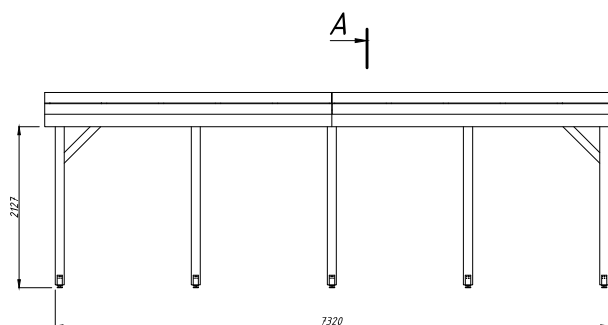


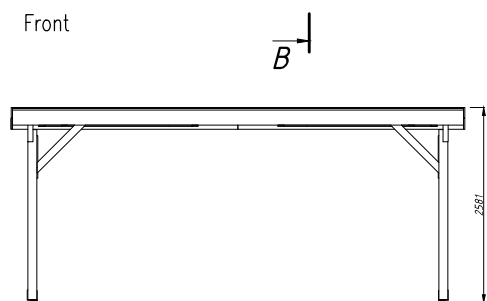
1:100



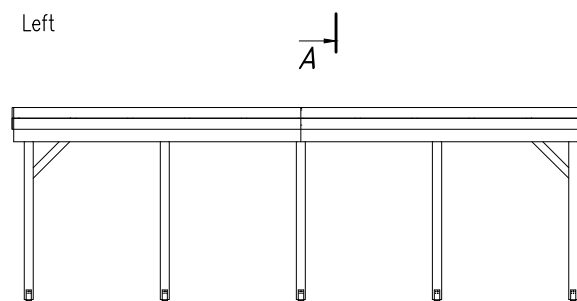
Front



Left

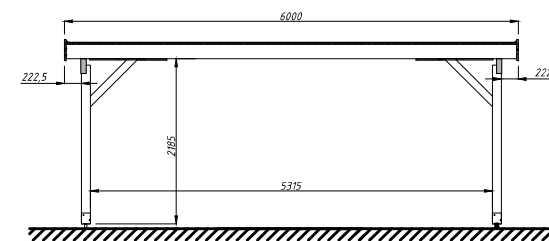


Back

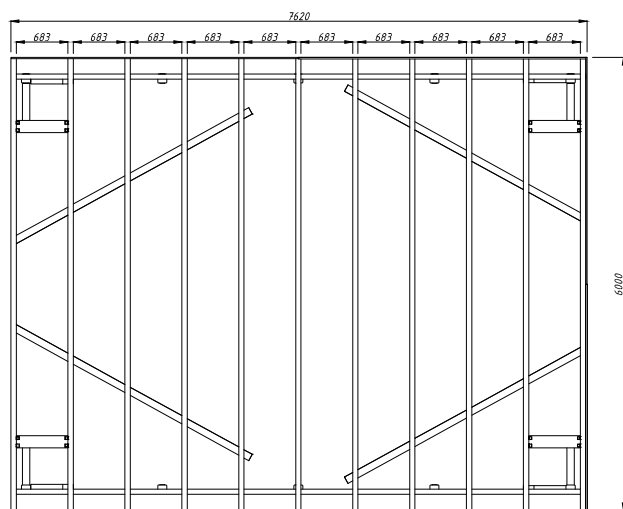


Right

Section A-A



Section B-B



Top

