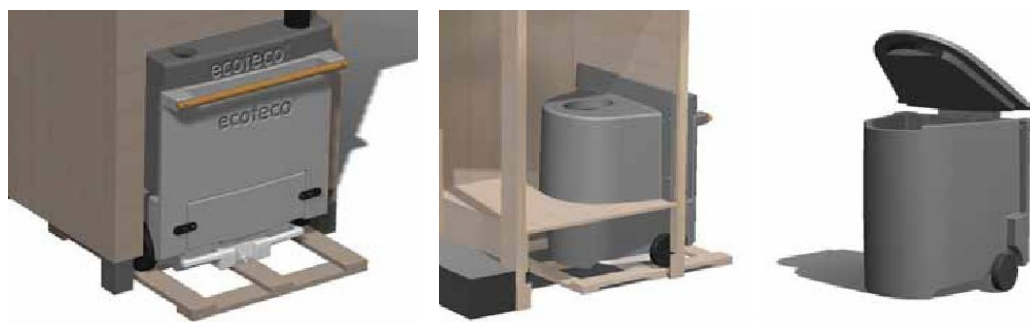


Composting Outdoor Toilet

Developed in Finland for Finnish conditions. An outdoor toilet which includes elements to allow for easy connection to a composting toilet.

The toilet does not need water or electricity to work. The toilet is dense and nature-friendly. The effective ventilation guarantees scentless usage.



A sufficient (over 200 liters) container enables efficient composting. In addition to this, a simple post-composting is possible with a replacement container (additional accessory). The emptying is easy, either you empty compost mass directly from the outdoor toilet or as finished soil from the replacement container.

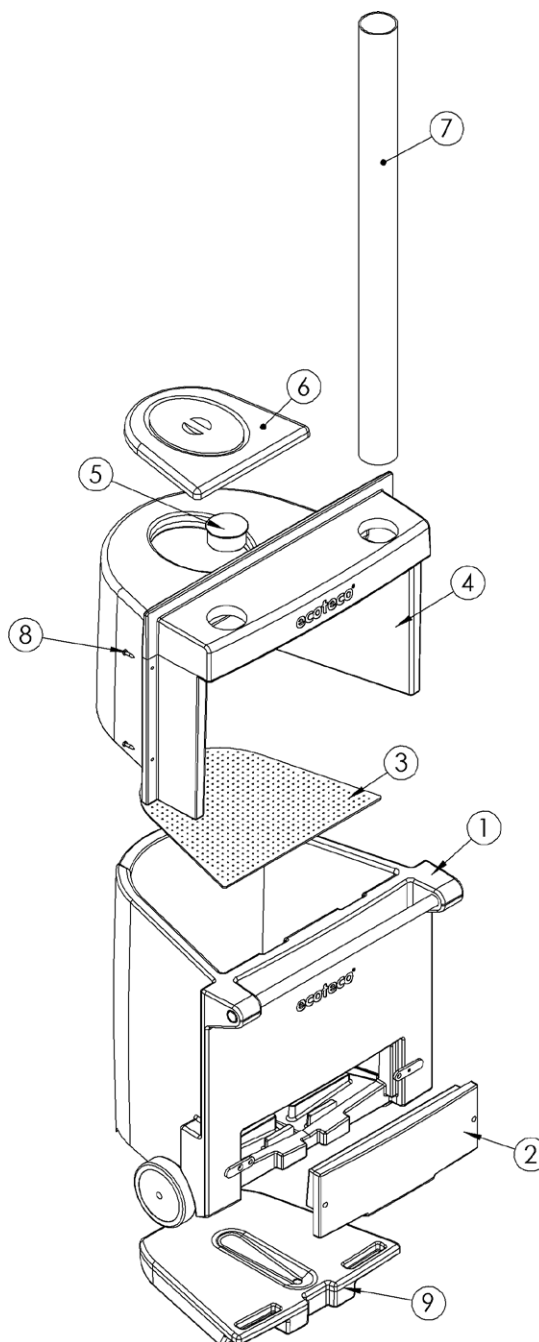
Effective ventilation reduces the amount of liquid that needs to be collected. Due to its unique construction, the emptying of the liquid container is easy.



Use and maintenance information

Ecoteco toilet parts:

1. Container
2. Drain hatch
3. Bottom net
4. Seat part
5. Plug
6. Seat heater
7. Ventilation pipe + hat
8. Tire bolts
9. Liquid container



Installation

Installation of the toilet

The Ecoteco composting toilet is easy to attach to the Ecoteco outdoor toilet. The composting container (1) is installed through the opening in the rear wall. The seat (4) is permanently installed from the inside. By installing the seat part in the rear wall with four deck bolts (8), 6x40, a stable installation is guaranteed. The ventilation pipe (7) is fed to the outside up through the roof.

The container has its own wheels, so it is easy to slide in through the opening in the back wall. The container can be placed directly on level ground or on a wooden trolley. When the container is placed correctly, it forms a dense wall protecting against unpleasant odours, no moldings etc. are needed.

Installation of the ventilation pipe

There is a 110 mm size hole in the back of the toilet. From the hole, the pipe is led along the back wall up through the roof or past the ridge. If you make a hole in the ceiling, you should seal the hole with a suitable sealing material. If you have to make curves on the pipe, these must not exceed 33 degrees, otherwise smell and moisture problems can occur.

A cap is attached to the end of the ventilation pipe to prevent rainwater from running down the toilet.

Before using the toilet

A layer of 5-10 cm of compost and fine wood chip should be placed on the bottom net (3) in the container. After each use, about 500 ml of compost and fine wood chip should be added.

With the bedding material, the toilet is kept airy and smell problems are reduced. The liquid container (9) can be emptied by removing it from its place or by use of a hose (supplied separately) which is attached to the emptying plug. The liquid in the container must not be used directly as fertiliser or poured into the ground, but should be diluted with water in a ratio of 1: 5.



Emptying

The Ecoteco container can be emptied in its entirety when it is filled or emptied a little at a time. The emptying is done with a shovel through the openable emptying hatch (2). It is recommended that the emptied compost be moved for further composting to another container. If you use the compost mass for garden plants, a further composting of one year is recommended, if the compost mass is used for growing plants, the recommended further composting time is 2 years.

We recommend that you get an extra Ecoteco container. This way, you can easily just replace the filled container with an empty one and let the composting continue without unnecessary emptying. Easy right? If the Ecoteco toilet is only used in the summer, emptying in the spring is recommended as composting can then continue during wintertime.

Use period

Ecoteco can be used all year round. Even if the compost freezes in the winter, it does not damage the container itself. Composting starts again when the temperature rises.

Maintenance

If necessary, the Ecoteco toilet can be washed with standard all-purpose cleaners. The container does not need to be washed inside when emptying. The liquid container can be rinsed once or twice during the summer.

Possible problem

If you experience flies or odour issues with the toilet, the most common cause is use of the wrong litter material. Moss, sawdust and leaves are too dense, which means that the bottom net becomes clogged and the liquid does not run down into the evaporation container.

It is important to use bark and litter materials that are intended for outdoor toilets. For fly control, general insecticide can be used, normally the flies disappear after two or three repetitions. It is also good to use a litter that contains pine bark (this helps keep the flies away).



Warranty

- Ecoteco has a one-year warranty.
- The warranty starts from the date of purchase and includes production and (or) material defects.
- If the toilet is used incorrectly or if the instructions are not followed, the warranty will not cover the damage. General wear and tear over the years is not included in the warranty. Additional equipment (not included in normal delivery)

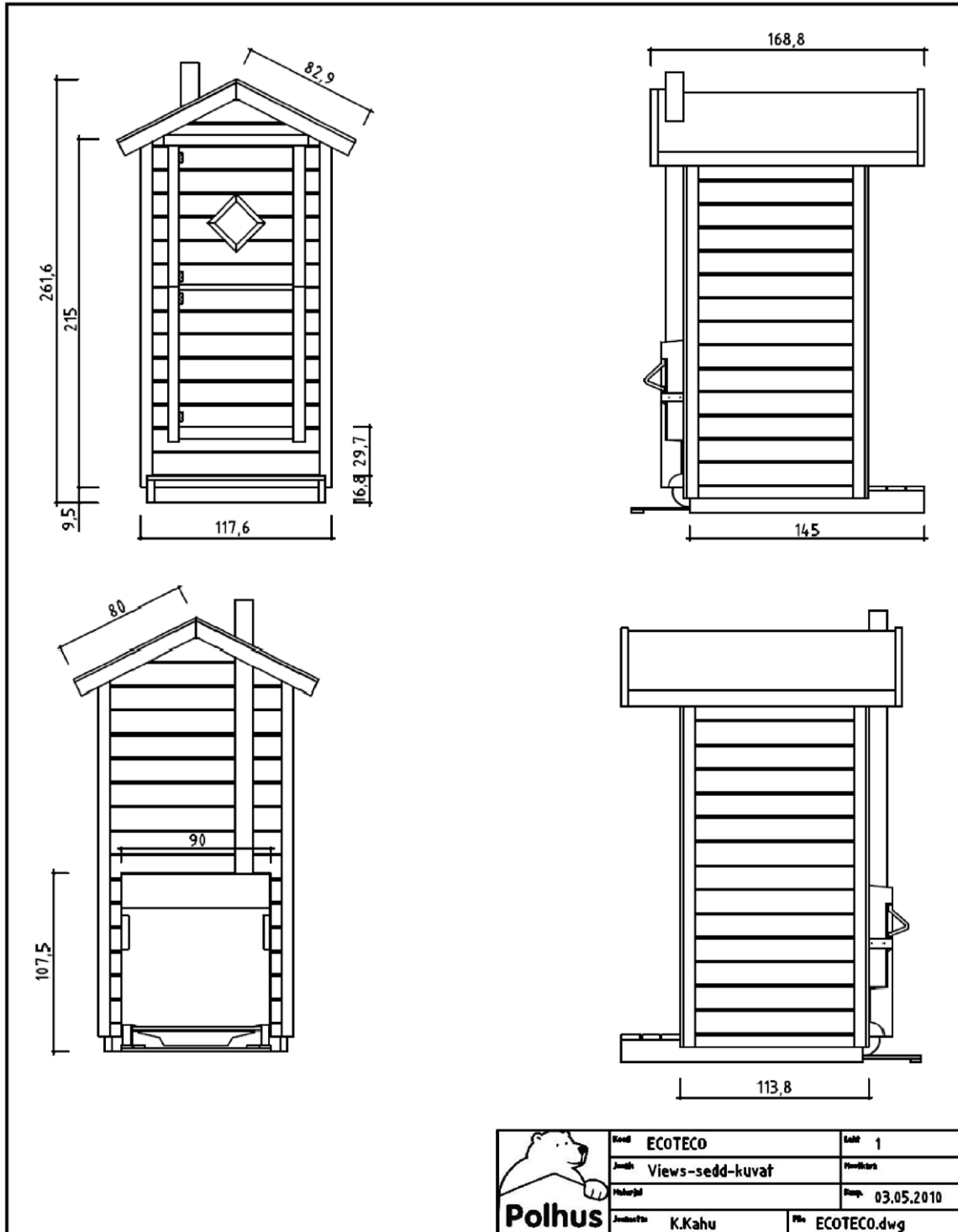
Additional equipment (not included)

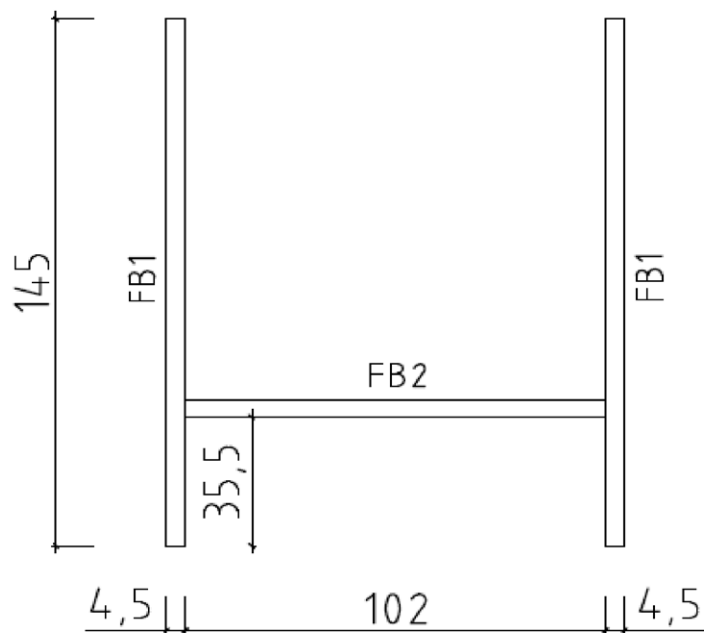
Extra container



Construction drawings

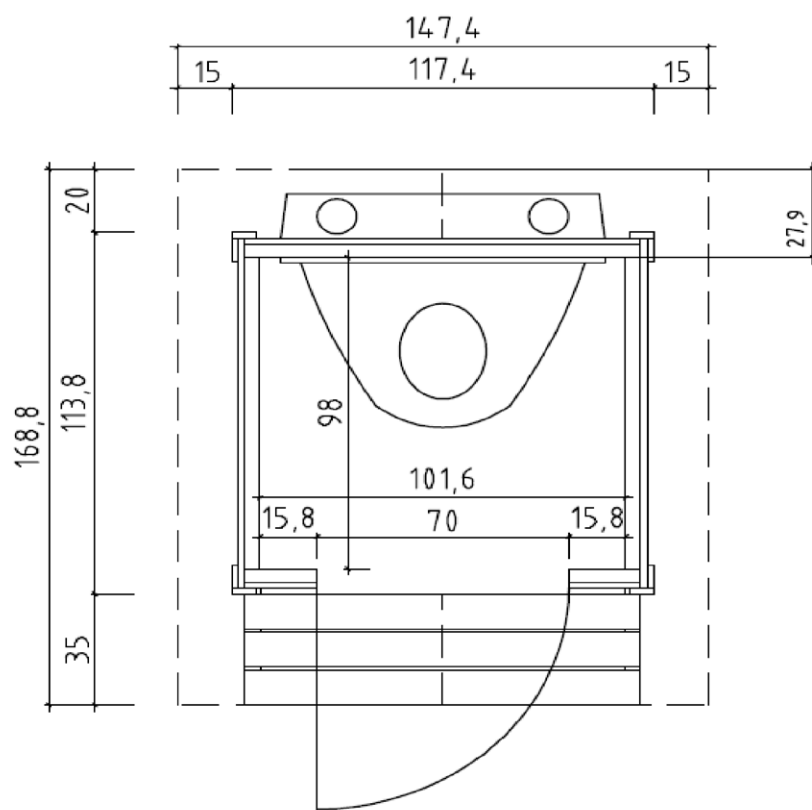
NOTE! Toilet should be placed on level ground and as a base you can e.g. use 30x30x5cm cement tiles.





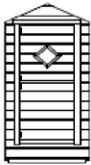

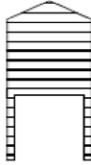
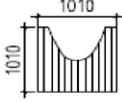
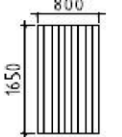
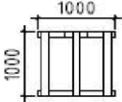
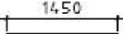
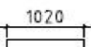
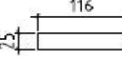
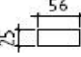

Kood	ECOTECO	Leht	2
Jaanis	Floorbeams-golvbjälkar-lattiapalkit	Muutkava	
Materjal	45x140	Kaup.	03.05.2010
Jaanestax	K.Kahu	file	ECOTECO.dwg





	Kood	ECOTECO	Lehti	3
	Janimi	Plan	Huotakava	
	Malerjal		Kaup.	03.05.2010
	Jametas	K.Kahu	File	ECOTECO.dwg



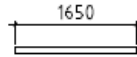
FRONT ELEMENT ELEMENT FÖR FRAMSIDAN ETUPOULEN ELEMENTTI				1pc-st-kpl															
SIDE ELEMENT SIDOELEMENT SIVUELEMENTTI				2pcs-st-kpl															
BACK ELEMENT ELEMENT FÖR BAKSIDAN TAKAPUOLEN ELEMENTTI				1pc-st-kpl															
FLOOR ELEMENT GOLVELEMENT LATTIA-ELEMENTTI				1pc-st-kpl															
ROOF ELEMENT TAKVELEMENT KATTO-ELEMENTTI				2pcs-st-kpl															
SUPPORTING RAILS FOR CONTAINER STÖDSKENOR FÖR AVFALLSKÄRL JÄTESÄILIÖN TUKIKISKOT				1pc-st-kpl															
FLOORBEAMS GOLVBÄLKAR LATTIAPALKIT	FB1  FB2 	45x140x1450mm 45x140x1020mm		2pcs-st-kpl 1pc-st-kpl															
STAIRS BOARD RAPPULAUTA TRAPPSTEGBRÄDE	 	25x116x1110mm 25x56x1110mm		2pcs-st-kpl 2pcs-st-kpl															
		<table border="1"> <tbody> <tr> <td>Kood</td> <td>ECOTECO</td> <td>Loh</td> <td>4</td> </tr> <tr> <td>Järvis</td> <td colspan="2">Table of contents-tenhölls/örfackling-sihllysluufale</td> <td>Moitava</td> </tr> <tr> <td>Määrjäl</td> <td></td> <td>Koop</td> <td>03.05.2010</td> </tr> <tr> <td>Joumetan</td> <td>K.Kahu</td> <td>File</td> <td>ECOTECO.dwg</td> </tr> </tbody> </table>	Kood	ECOTECO	Loh	4	Järvis	Table of contents-tenhölls/örfackling-sihllysluufale		Moitava	Määrjäl		Koop	03.05.2010	Joumetan	K.Kahu	File	ECOTECO.dwg	
Kood	ECOTECO	Loh	4																
Järvis	Table of contents-tenhölls/örfackling-sihllysluufale		Moitava																
Määrjäl		Koop	03.05.2010																
Joumetan	K.Kahu	File	ECOTECO.dwg																

GABLE BOARD
VINDBRÄDE
KAAPELILAUTA



19x90x840mm 4pcs-st-kpl

EAVE BOARD
TAKFOTBRÄDE
RÄYSTASLAUTA



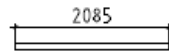
19x90x1650mm 2pcs-st-kpl

BOARD MATCHING WITH GABLE BOARD
BRÄDE OVANPÅ VINDBRÄDE
KAAPELILAUTA VASTAVA LAUTA

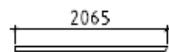


19x35x850mm 4pcs-st-kpl

CORNER BOARDS
HÖRNBRÄDER
KULMALAUDAT



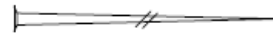
19x60x2085mm 2pcs-st-kpl



19x60x2065mm 2pcs-st-kpl

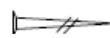
SCREWS-SKRUVAR-RUUVIT

4,5x70 40pcs-kpl-st



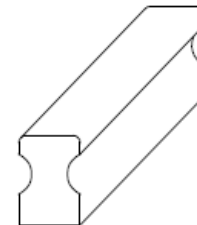
SCREWS-SKRUVAR-RUUVIT

3,5x50 60pcskpl-st



DOOR HANDLE-DÖRRHANDTAG-OVENKAHVA

2pcs-kpl-st



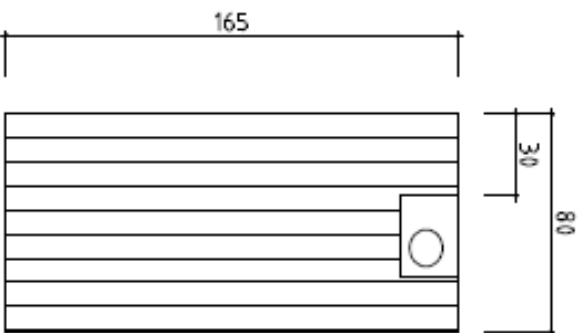
HOOK-HASP-HAKA

2pcs-kpl-st



Kood	ECOTECO	Leht	5
Järjäs	Table of contents-Innholdsförteckning-sisällystysluettelo	Muokkava	
Määrä		Kuop.	03.05.2010
Järjestes	K.Kahu	File	ECOTECO.dwg





Leikkaa reikä tuuletusputkelle
Skär ett hål för ventilationsröret
Cut a hole for the ventilation pipe

Aseta kaavain vasemmalle kattopuoliskolle

Placera schablonen på vänster takhalva

Place the template on the left half of the roof

ECOTECCO