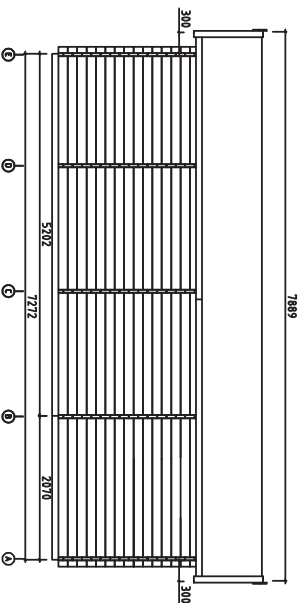
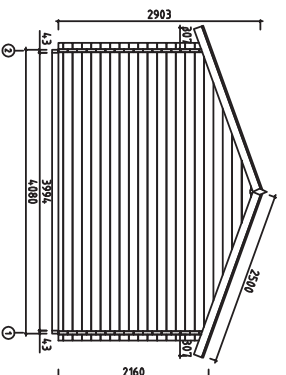
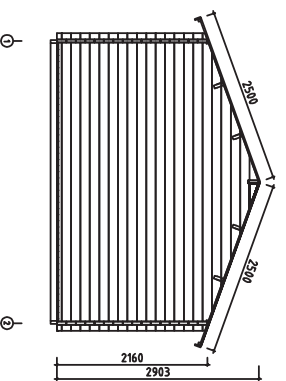
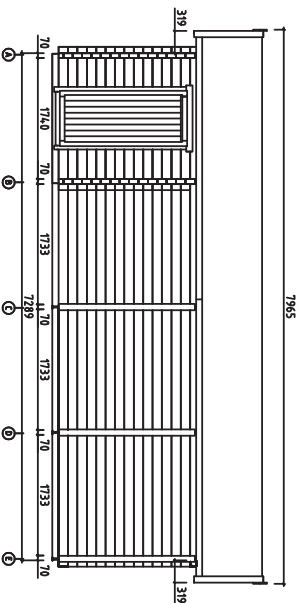
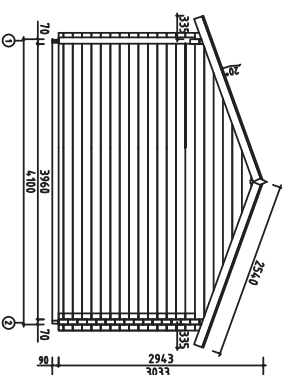
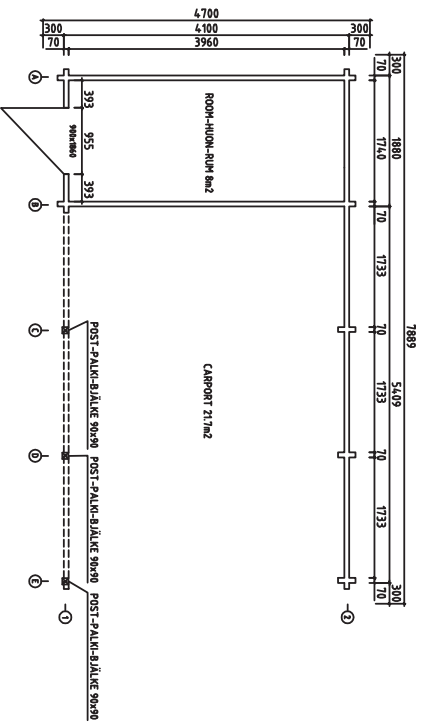


Date rev. Description

| | | | |
|----------|------------------------|-------|-------------------------------|
| House | C4.173-70 Mårtten 30m2 | Sheet | |
| Drawing | 3D | Scale | |
| Material | 70x135 | Date | 06.07.2020 |
| Drawer | K.K. | File | C4.173-70 Mårtten 30m2 3D.dwg |

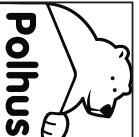
Plan-pohjapiirustus-grundplan+Views-kuvat-sedd

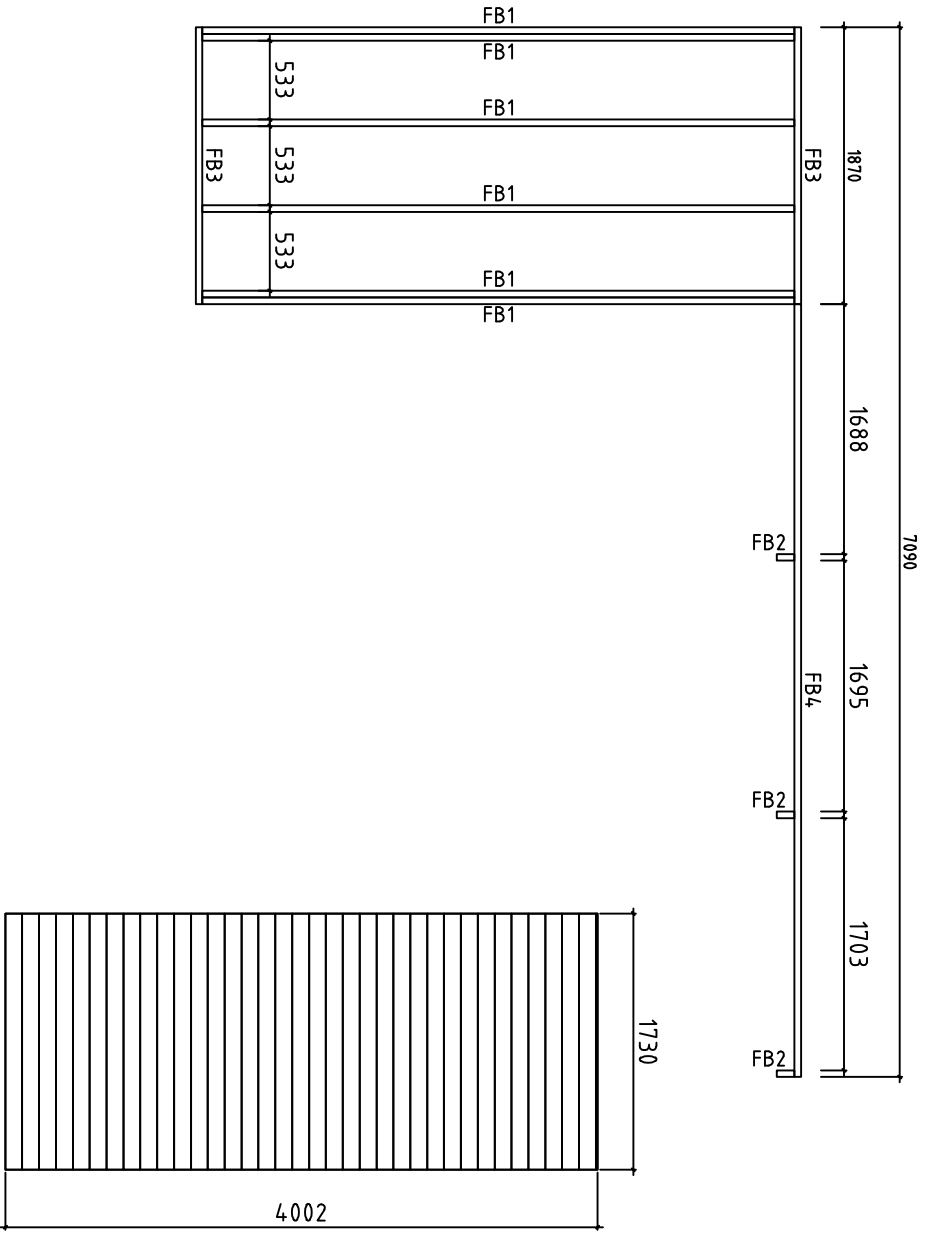


Roof Pmax=300kg/m2
V 1.0

Date rev. Description

| | | | |
|----------|----------------------|-------|--------------------------------|
| House | C4173-70 Mårten 30m2 | Sheet | 1 |
| Drawing | | Scale | 1:100 |
| Material | 70x135 | Date | 03.08.2020 |
| Drawer | K.K. | File | C4173-70 Mårten 30m2 Views.dwg |

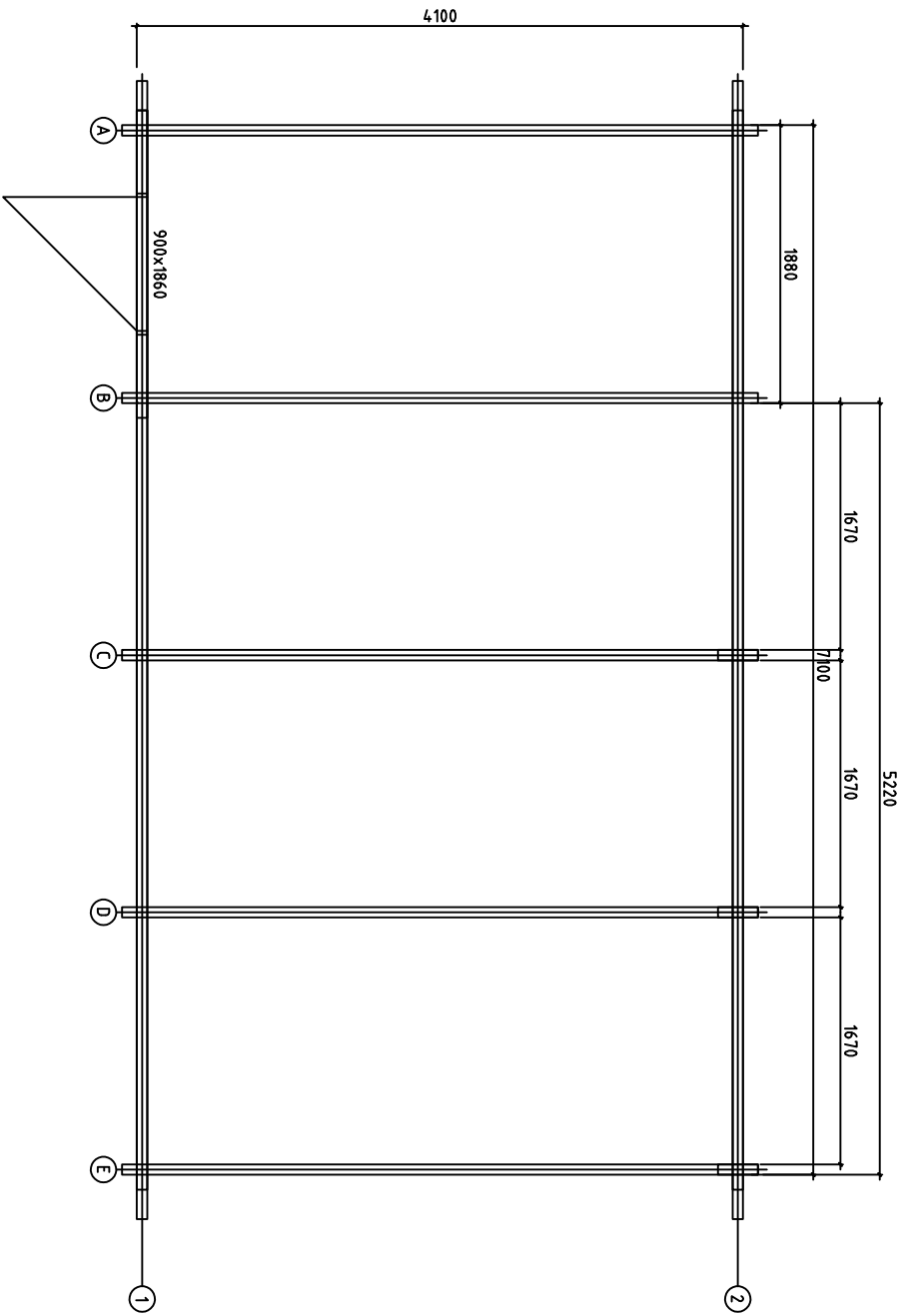




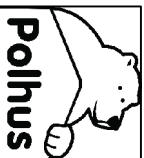
Date rev. Description



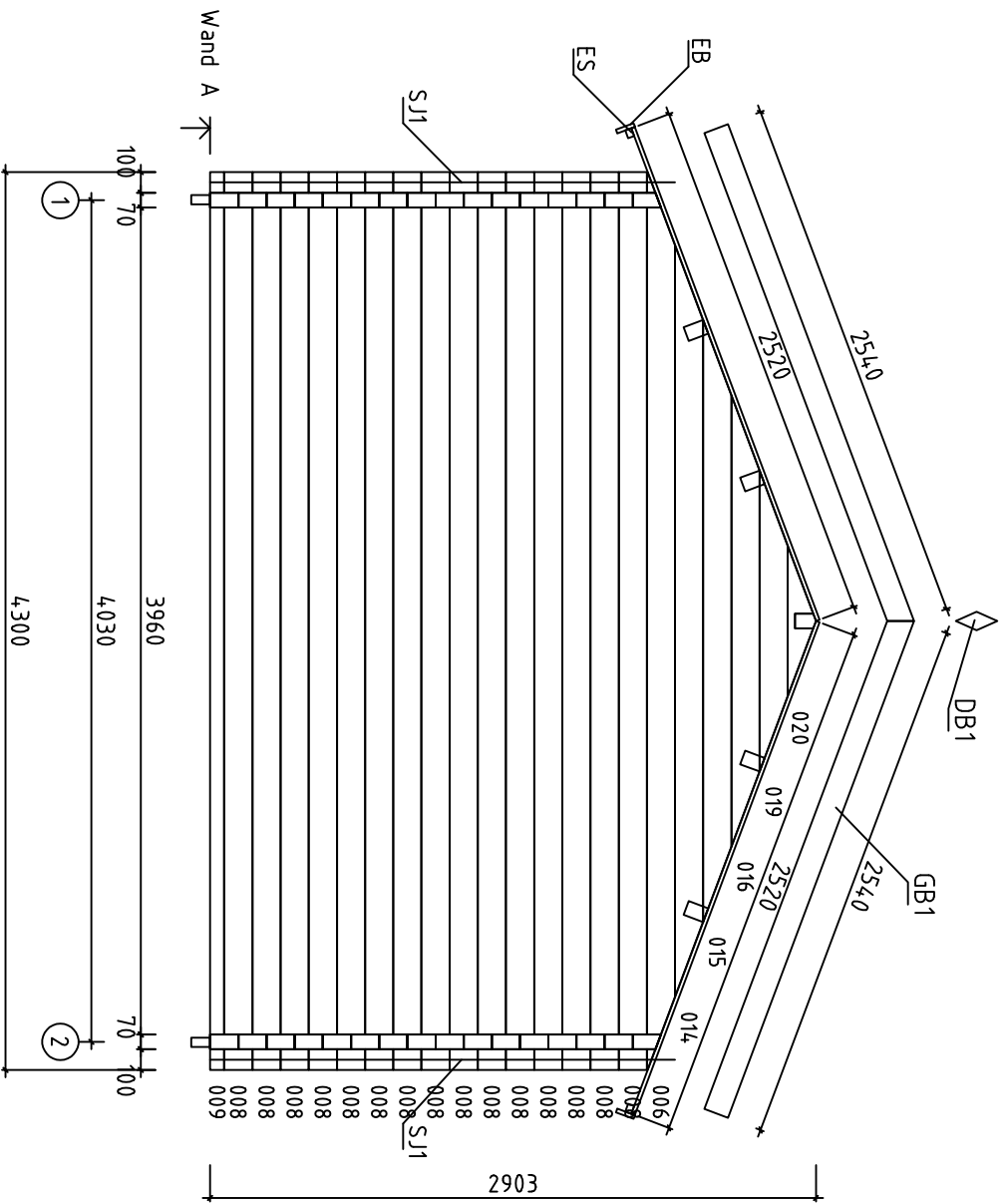
| | | | |
|----------|------------------------------------|-------|---------------------------|
| House | C4.173-70 Mårten 30m2 | Sheet | 2 |
| Drawing | Floorbeams-Lattisplank-Grövdjälkar | Scale | 1:35 |
| Material | 4,5x90 | Date | 06.07.2020 |
| Drawer | K.K. | File | C4.173-70 Mårten 30m2.dwg |



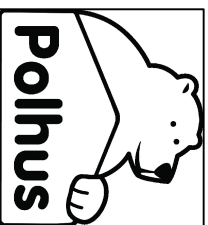
Date rev. Description



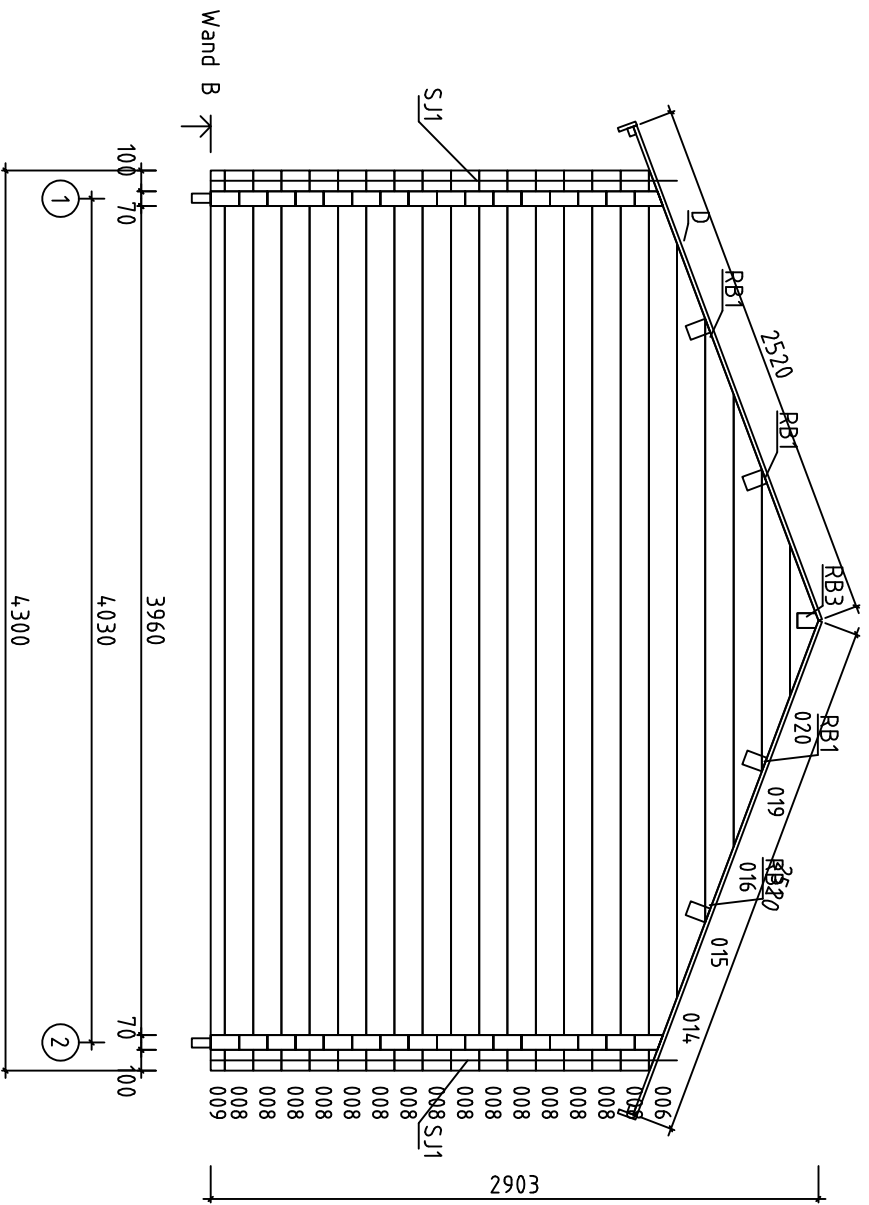
| | | | |
|----------|-----------------------------------|-------|--|
| House | C4.173-70 Mårten 30m ² | Sheet | 3 |
| Drawing | Plan | Scale | 1:35 |
| Material | 70x135 | Date | 06.07.2020 |
| Drawer | K.K. | File | C4.173-70 Mårten 30m ² .dwg |



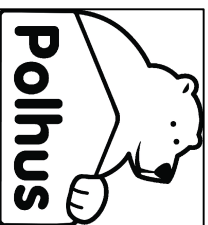
Date rev. Description



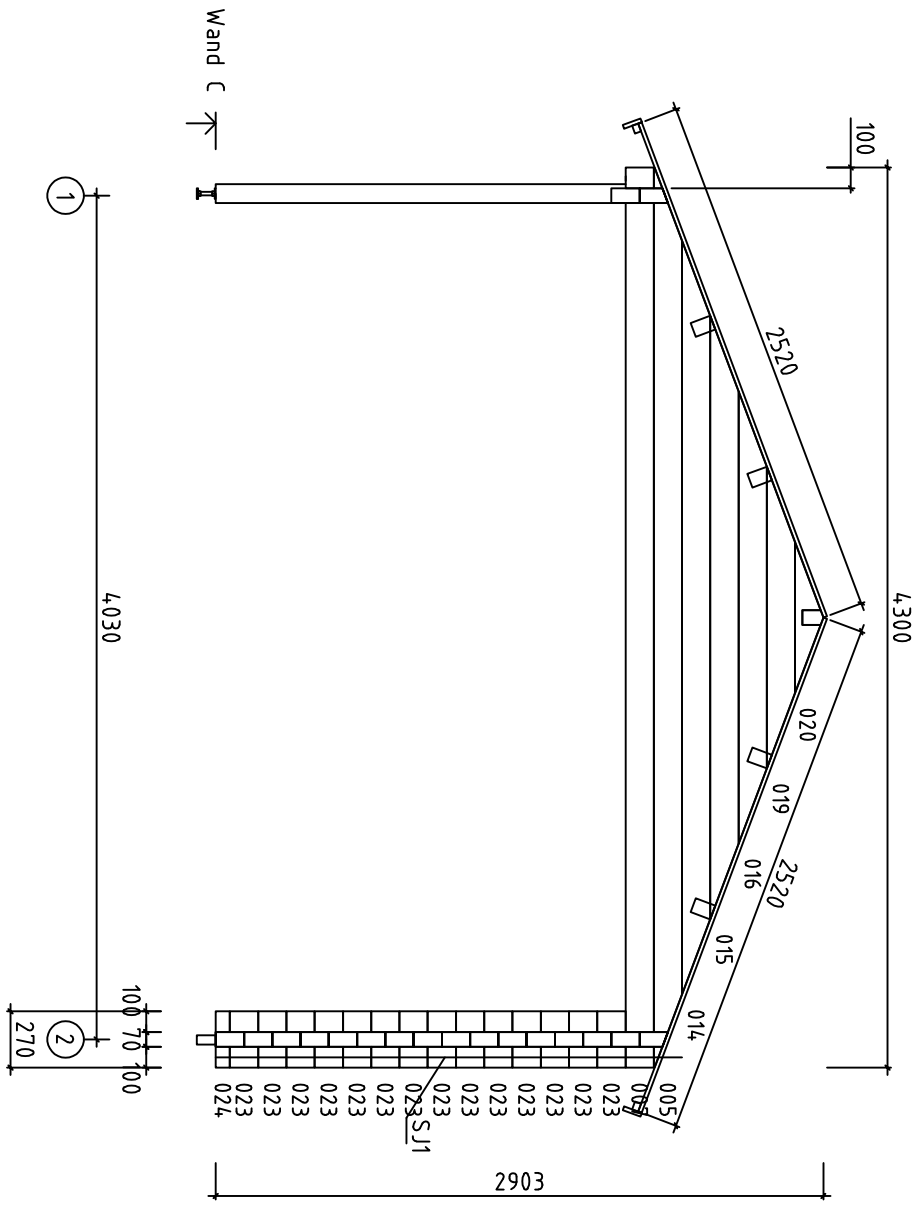
| | | | |
|----------|----------------------|-------|--------------------------|
| House | C4173-70 Mårten 30m2 | Sheet | 4 |
| Drawing | Plan | Scale | 1:35 |
| Material | 70x135 | Date | 06.07.2020 |
| Drawer | K.K. | File | C4173-70 Mårten 30m2.dwg |



Date rev. Description

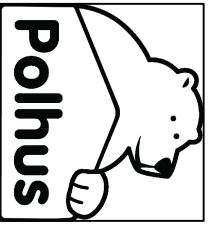


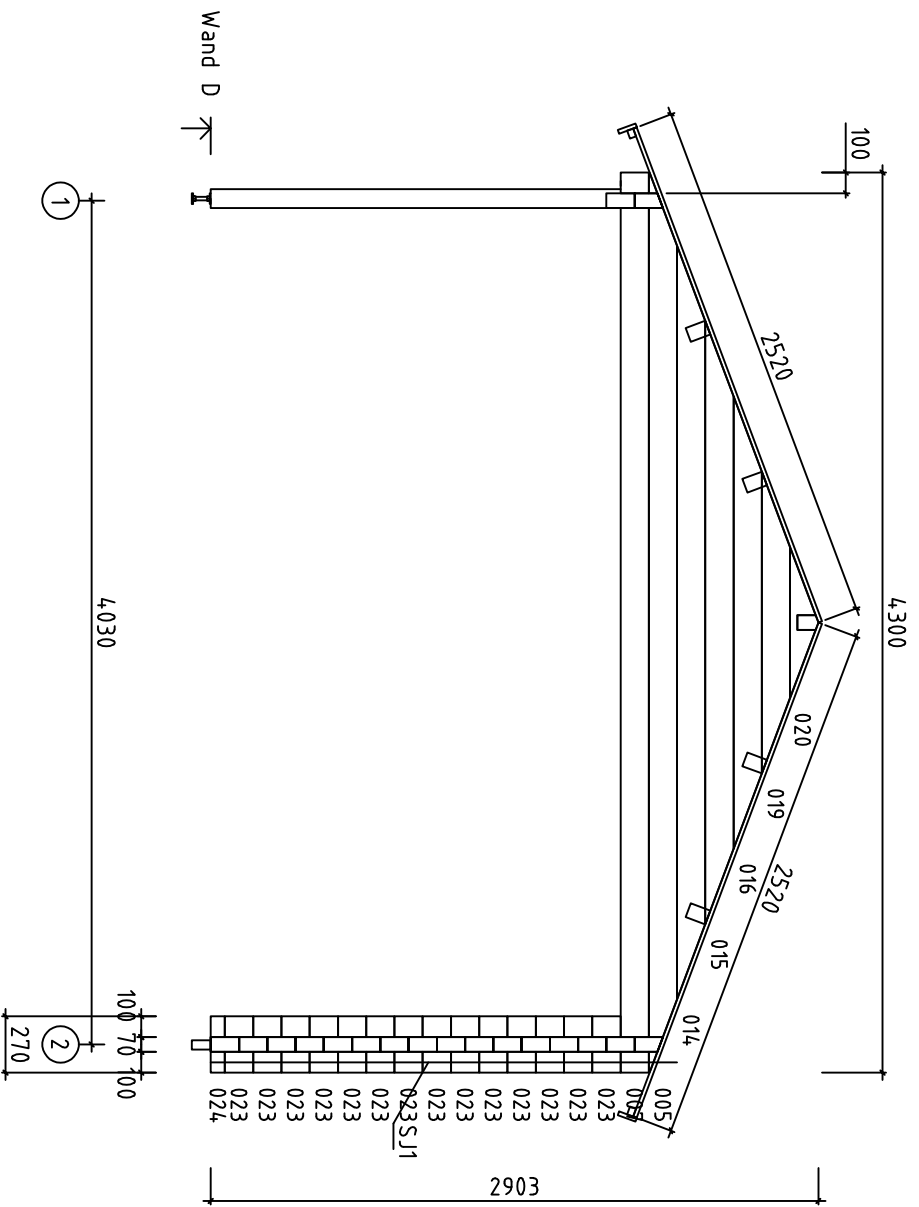
| | | | |
|----------|----------------------|-------|--------------------------|
| House | C4173-70 Mårten 30m2 | Sheet | 5 |
| Drawing | Plan | Scale | 1:35 |
| Material | 70x135 | Date | 06.07.2020 |
| Drawer | K.K. | File | C4173-70 Mårten 30m2.dwg |



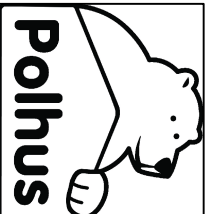
Date rev. Description

| | | | |
|----------|----------------------|-------|--------------------------|
| House | C4173-70 Mårten 30m2 | Sheet | 6 |
| Drawing | Plan | Scale | 1:35 |
| Material | 70x135 | Date | 06.07.2020 |
| Drawer | K.K. | File | C4173-70 Mårten 30m2.dwg |

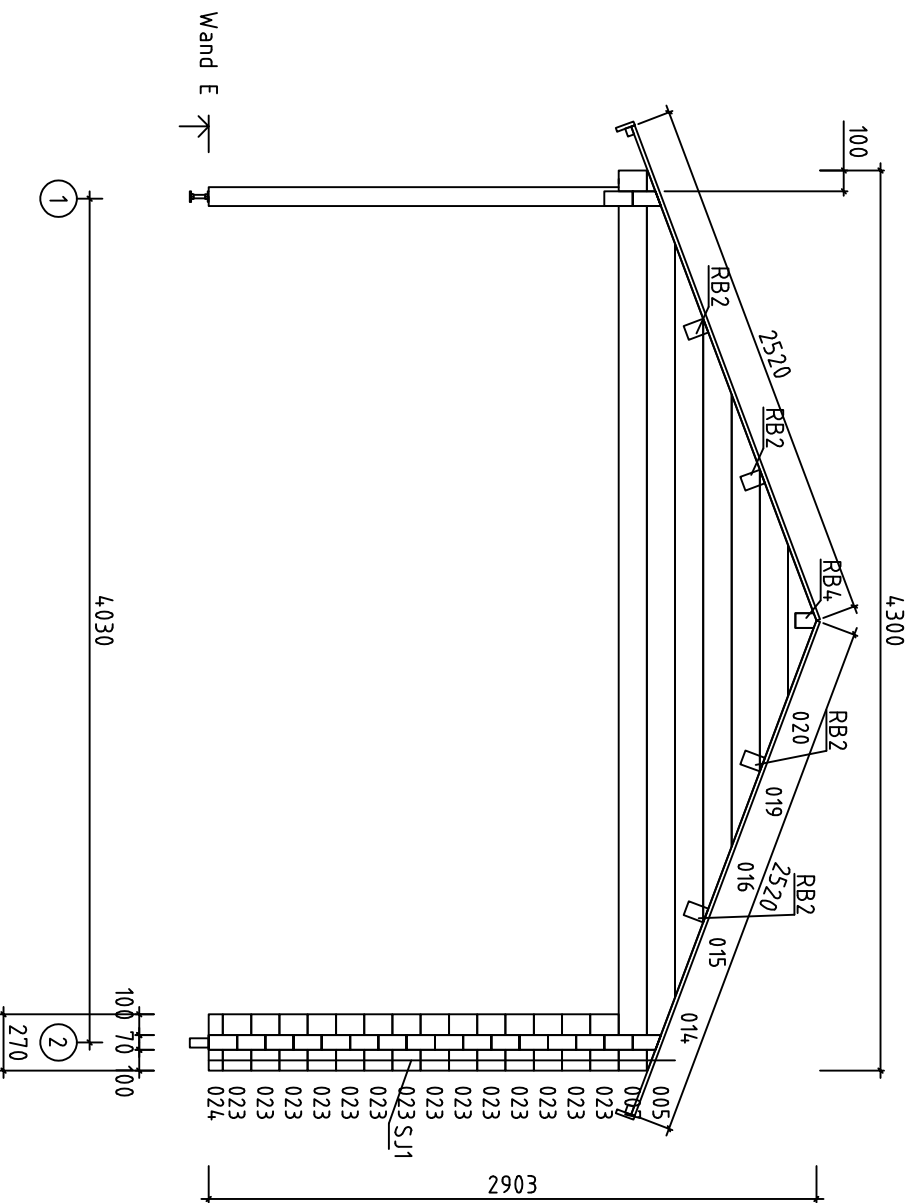




Date rev. Description



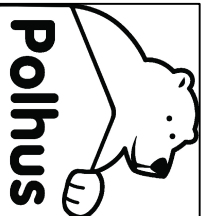
| | | | |
|----------|----------------------|-------|--------------------------|
| House | C4173-70 Mårten 30m2 | Sheet | 7 |
| Drawing | Plan | Scale | 1:35 |
| Material | 70x135 | Date | 06.07.2020 |
| Drawer | K.K. | File | C4173-70 Mårten 30m2.dwg |

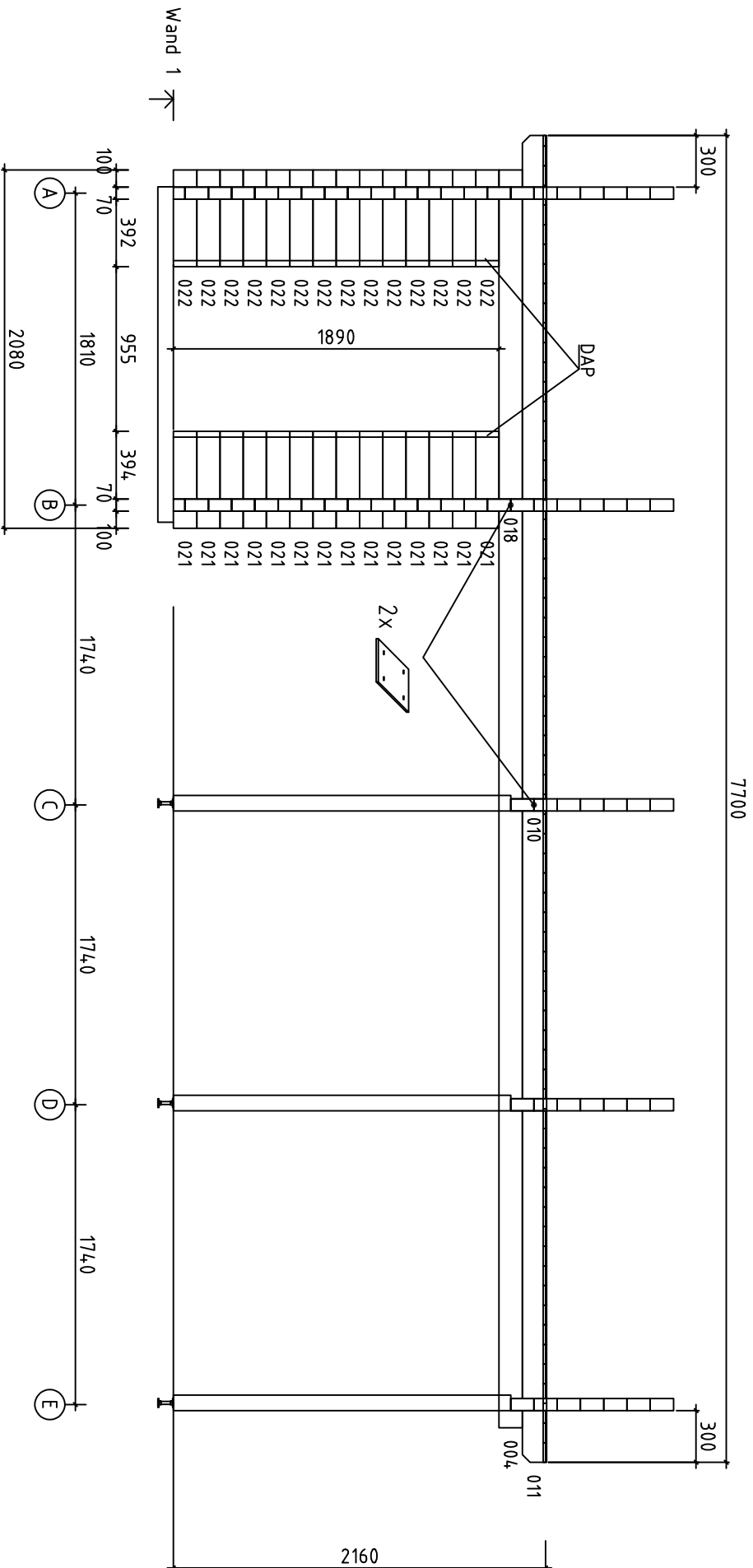


Date rev. Description


| | | | |
|----------|----------------------|-------|------------|
| House | C4173-70 Mårten 30m2 | Sheet | 8 |
| Drawing | Plan | Scale | 1:35 |
| Material | 70x135 | Date | 06.07.2020 |

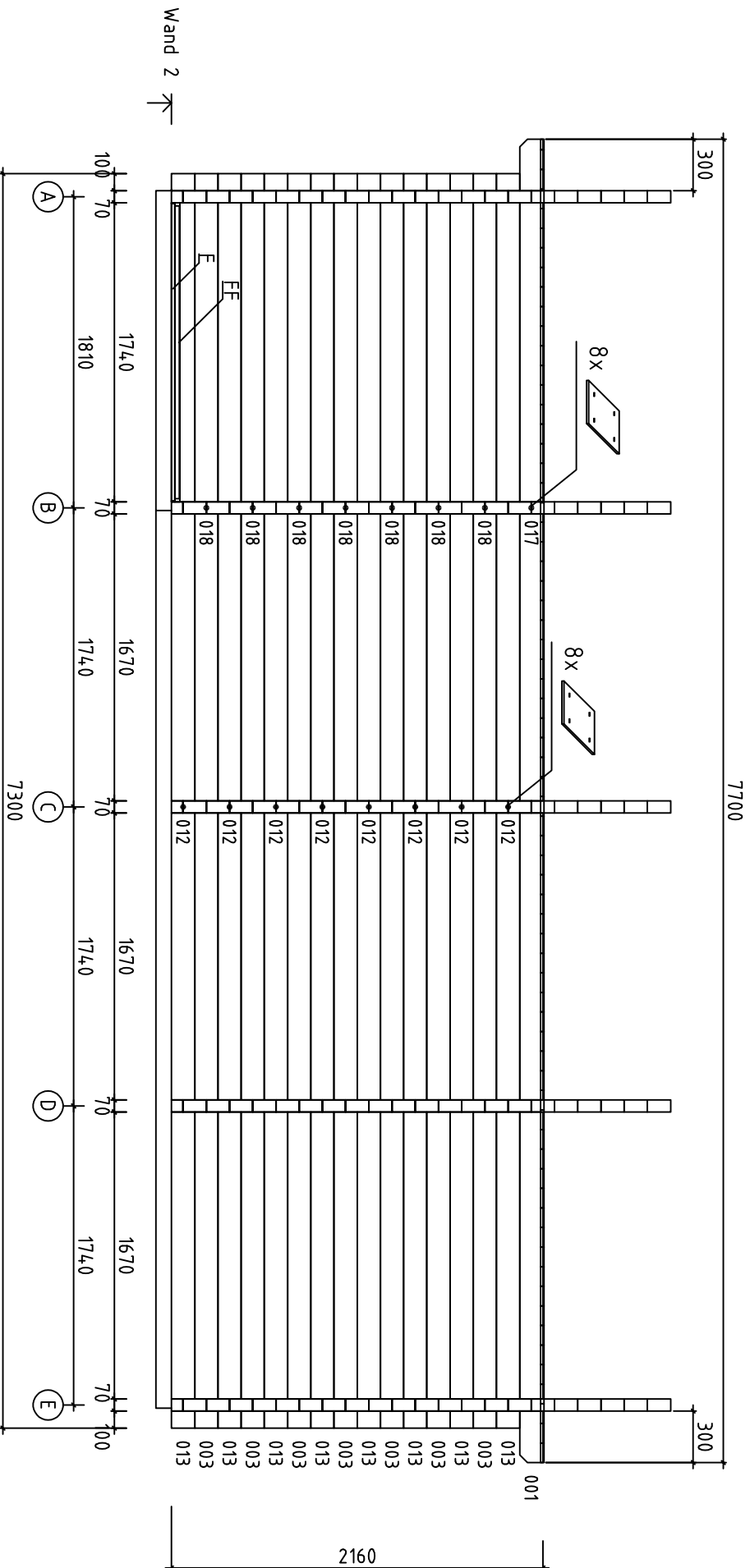
Drawer K.K. File C4173-70 Mårten 30m2.dwg






Date rev. Description

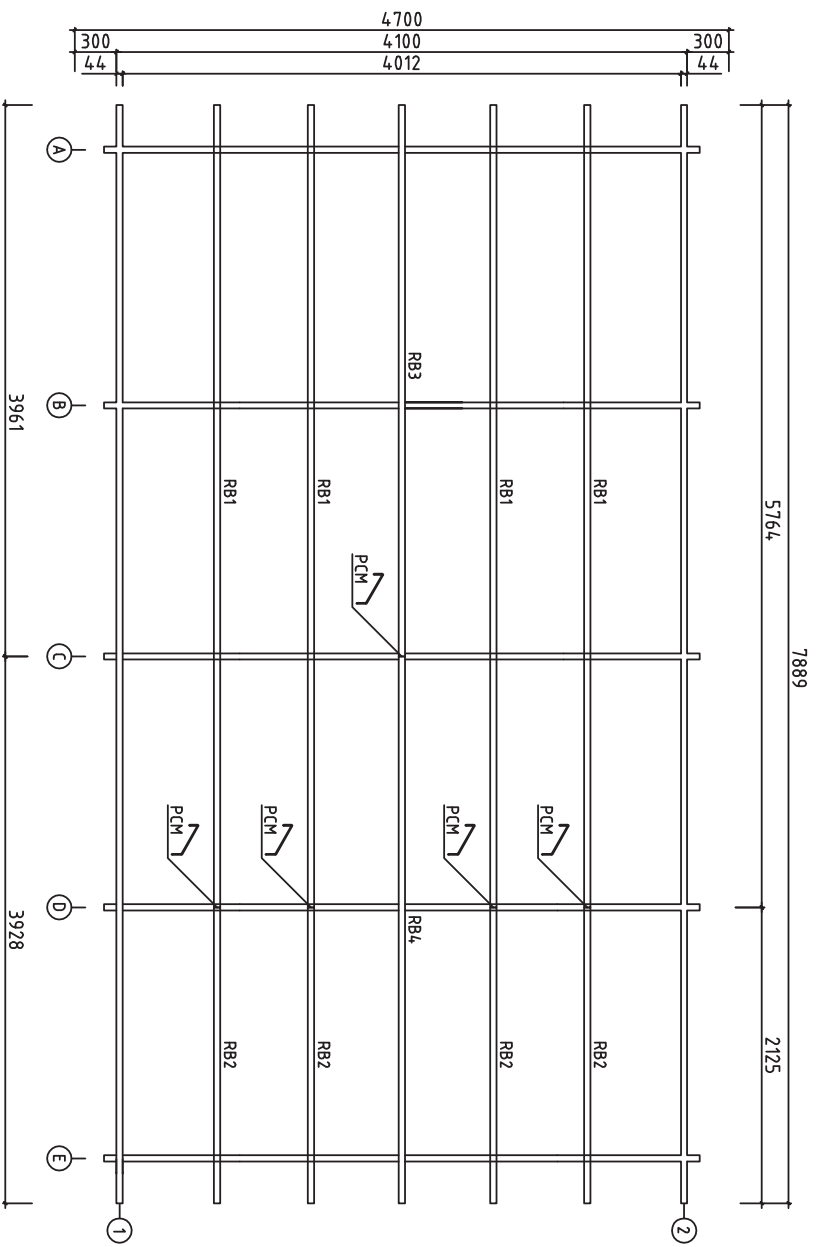
| | | | | | |
|---|--------|---------|--|-------|------|
|  Polhus | | House | C4.173-70 Mårten 30m ² | Sheet | 9 |
| | | Drawing | Plan | Scale | 1:35 |
| Material | 70x135 | Date | 06.07.2020 | | |
| Drawer | K.K. | File | C4.173-70 Mårten 30m ² .dwg | | |



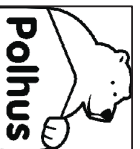
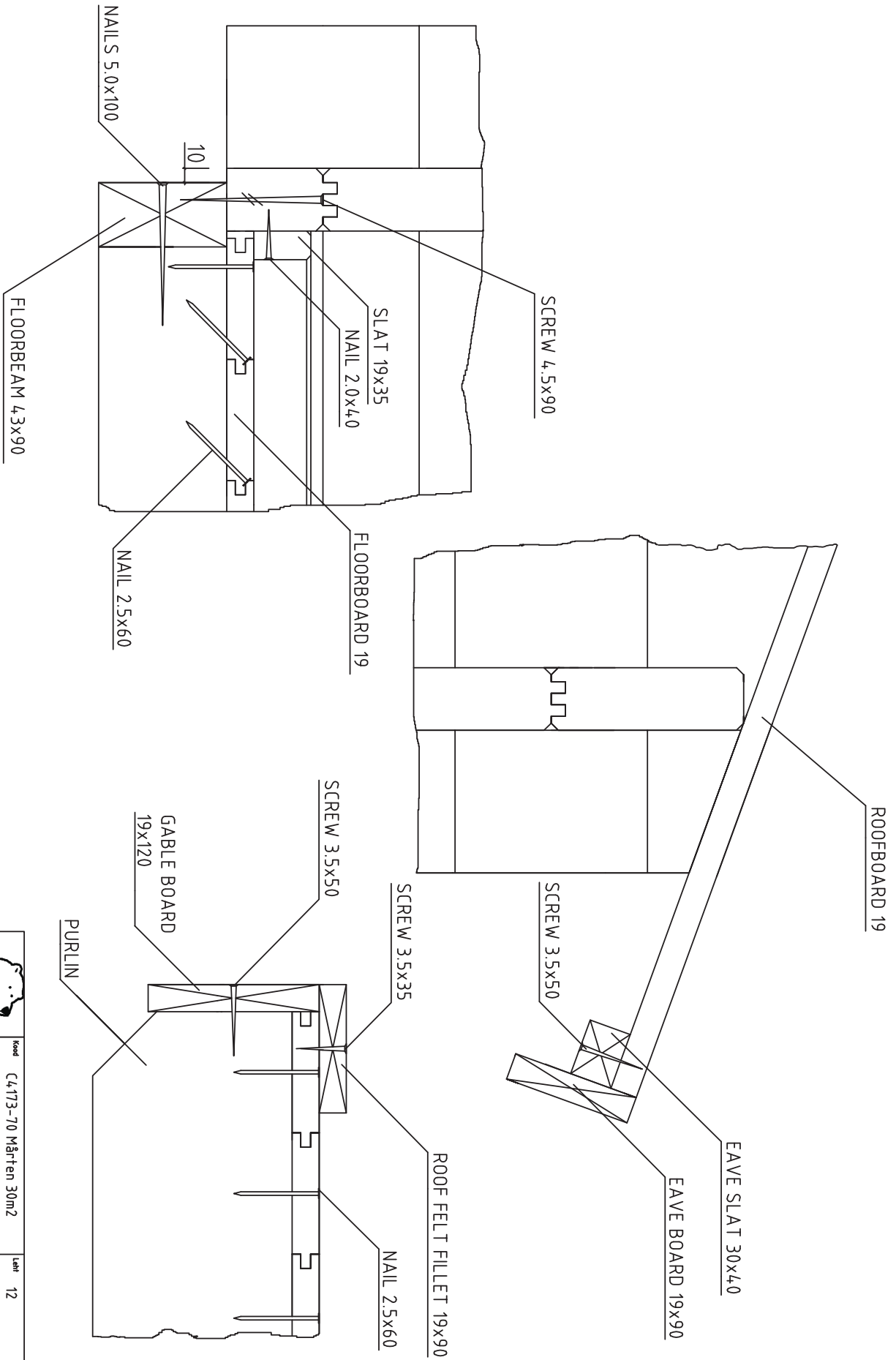
Date rev. Description

| | |
|---|--------------------------|
|  | |
| House | C4173-70 Mårten 30m2 |
| Drawing | Plan |
| Material | 70x135 |
| Drawer | K.K. |
| File | C4173-70 Mårten 30m2.dwg |
| Sheet | 10 |
| Scale | 1:35 |
| Date | 06.07.2020 |

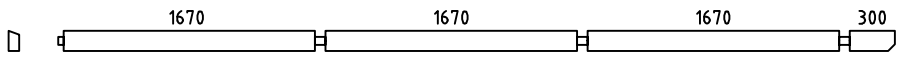
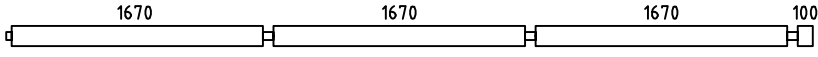
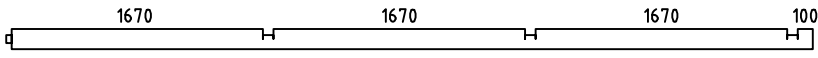
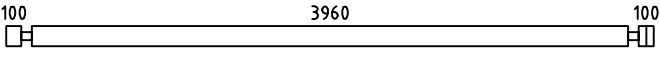
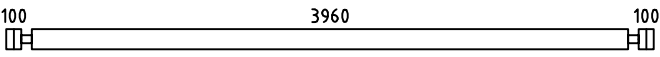
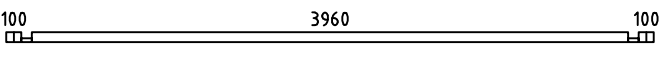
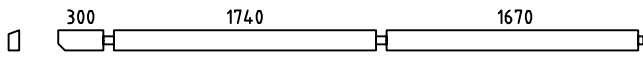
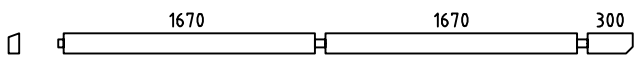
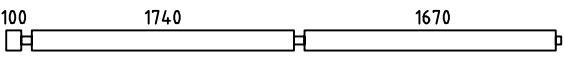
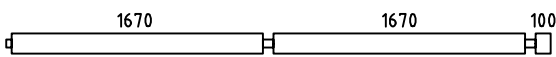
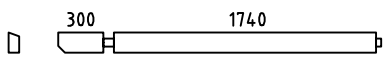
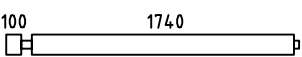
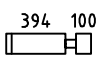
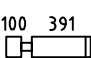


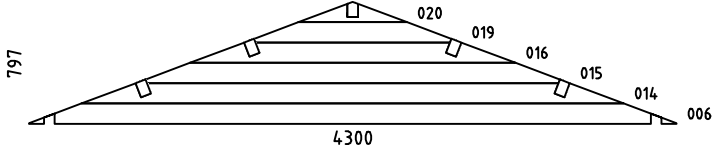
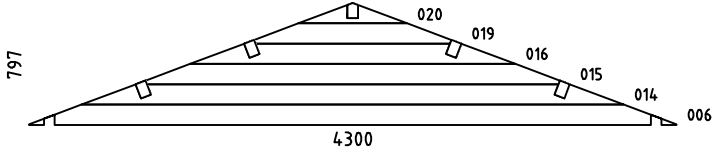
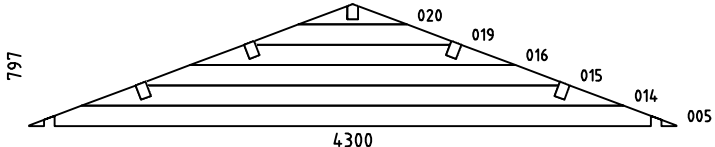
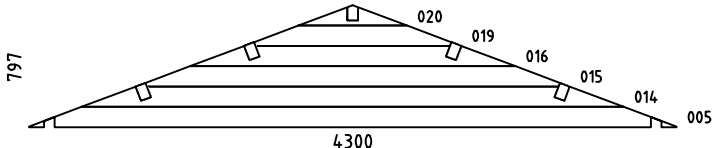
PURLINS CONNECTING METAL - KATTO-ORRET YHDISTAMISRAUTA - TAKASAR SAMMANSLAGNINGMETAL





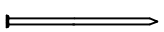
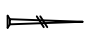


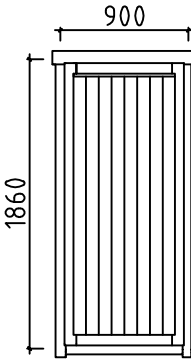
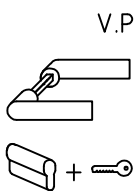
| | | | |
|----------|----------------------|-------|---|
| House | C4173-70 Märten 30m2 | Sheet | 11 |
| Drawing | Purlins connecting | Scale | 1:35 |
| Material | 70x14.0 | Date | 06.07.2020 |
| Drawer | K.K. | File | C4173-70 Märten 30m2 Purlins connecting.dwg |

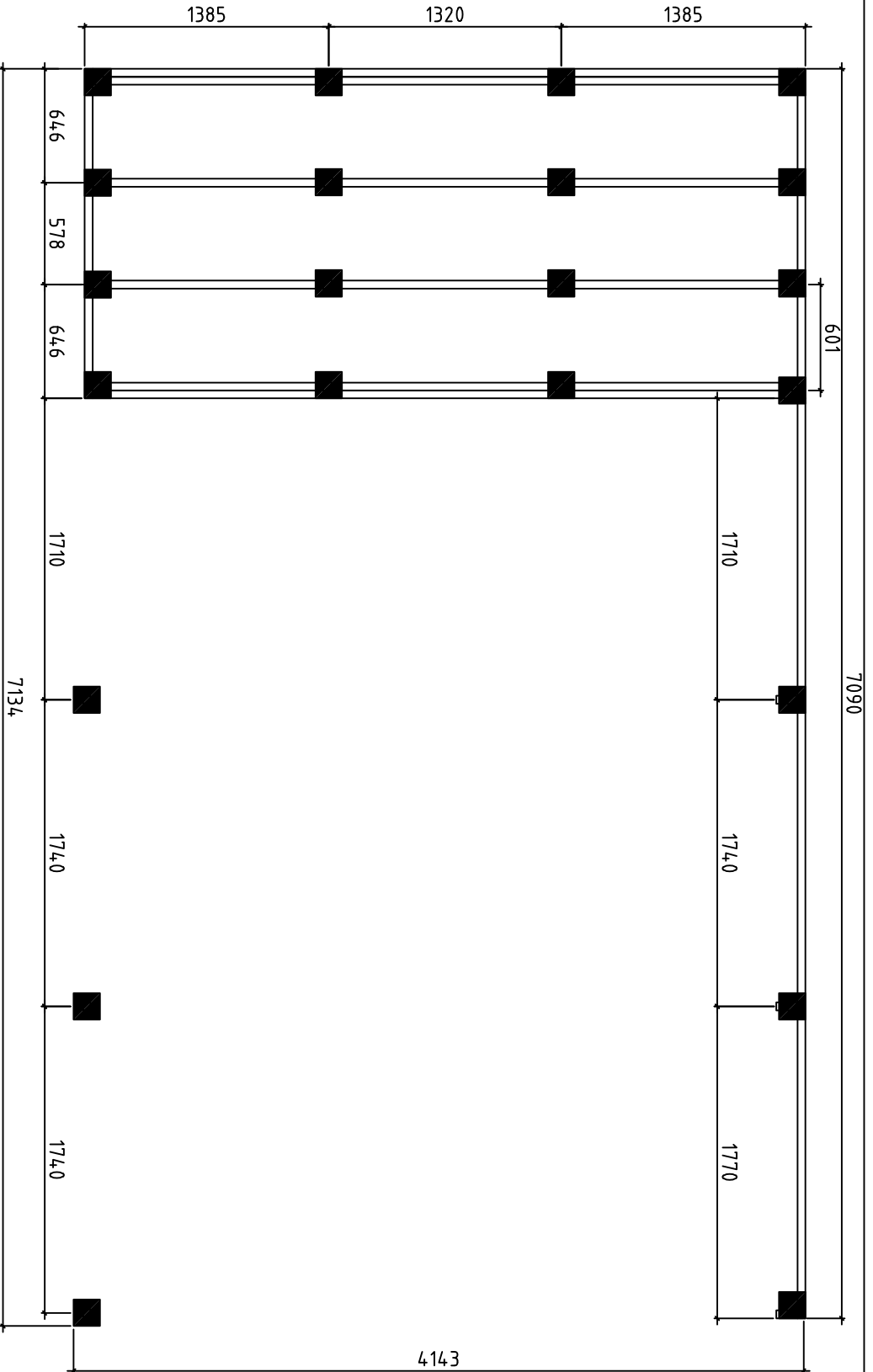


| | | | |
|-----------|----------------------|---------|-----------------------------------|
| Model | CA173-70 Märten 30m2 | Unit | 12 |
| Joints | Sections | Modular | 1:25 |
| Material | | Keup | 03.08.2020 |
| Joorneste | K.K. | File | CA173-70 Märten 30m2 Sections.dwg |

| Pos | C4173-70 Mårten 30m2 | Pcs. Kpl. St. | Profile (mm) | L (mm) | | |
|------|--|---------------------|-----------------|--------------------------|------|----|
| 001 |  | 1 | 70x135 | 5555 | | |
| 002 | SPARE BEAM - VARALLAPALKI - EXTRA PROFILE | 1 | 70x135 | 5400 | | |
| 003 |  | 7 | 70x135 | 5355 | | |
| 004 |  | 1 | 70x135 | 5355 | | |
| 007 |  | 3 | 70x135 | 4300 | | |
| 008 |  | 30 | 70x135 | 4300 | | |
| 009 |  | 2 | 70x68 | 4300 | | |
| 010 |  | 1 | 70x135 | 3885 | | |
| 011 |  | 1 | 70x135 | 3815 | | |
| 012 |  | 8 | 70x135 | 3685 | | |
| 013 |  | 8 | 70x135 | 3615 | | |
| 017 |  | 1 | 70x135 | 2145 | | |
| 018 |  | 8 | 70x135 | 1945 | | |
| 021 |  | 14 | 70x135 | 564 | | |
| 022 |  | 14 | 70x135 | 561 | | |
| 023 |  | 42 | 70x135 | 270 | | |
| 024 |  | 3 | 70x68 | 270 | | |
| WA-1 |  | 1 | 70x797 | 4300 | | |
| WB-1 |  | 1 | 70x797 | 4300 | | |
| WC-1 |  | 1 | 70x797 | 4300 | | |
| WD-1 |  | 1 | 70x797 | 4300 | | |
| Kood | C4173-70 Mårten 30m2 | Materjal | File | C4173-70 Mårten 30m2.dwg | Leht | 13 |

| Pos | C4173-70 Märten 30m2 | | Pcs. Kpl. St. | Profile (mm) | L (mm) |
|------|--|----------|---------------------|--------------------------|-----------|
| WE-1 | | | 1 | 70x797 | 4300 |
| AB | BOARD FOR ASSEMBLING-ASENNUSLAUTA-SLAGBRÄDE | | 2 | 70x135 | 300 |
| FB4 | FLOORBEAMS - LATTIAPALKIT - GOLVBJÄLKAR | | 1 | 45x90 | 5220 |
| FB1 | FLOORBEAMS - LATTIAPALKIT - GOLVBJÄLKAR | | 6 | 45x90 | 4000 |
| FB3 | FLOORBEAMS - LATTIAPALKIT - GOLVBJÄLKAR | | 2 | 45x90 | 1870 |
| FB2 | FLOORBEAMS - LATTIAPALKIT - GOLVBJÄLKAR | | 3 | 45x90 | 120 |
| P1 | POST - PALKI - BJÄLKE | | 3 | 90x90 | 1960 |
| RB1 | PURLINS - KATTO-ORRET - TAKASAR | | 4 | 70x140 | 5625 |
| RB3 | PURLINS - KATTO-ORRET - TAKASAR | | 1 | 70x140 | 3885 |
| RB4 | PURLINS - KATTO-ORRET - TAKASAR | | 1 | 70x140 | 3815 |
| RB2 | PURLINS - KATTO-ORRET - TAKASAR | | 4 | 70x140 | 2075 |
| F | FLOORBOARD - LATTIALAUTA - GOLVBRÄDE 88mm or-tai-eller 114mm | | 46+1 35+1 | 18x88 18x114 | 1730 |
| R | ROOFBOARD - KATTOLAUTA - TAKBRÄDE 88mm or-tai-eller 114mm | | 177+1 136+1 | 18x88 18x114 | 2520 |
| FF | FLOOR FILLET - LATTIALISTA - GOLVLIST | | | 18x35 | 11.5jm |
| GB | GABLE BOARD - KAAPELILAUTA - GAVELBRÄDA | | 4 | 18x120 | 2540 |
| RFF | ROOF FELT FILLET - KATON PÄÄTYLAUTA - BRÄDE OVANPÅ GAVELBRÄDE | | 4 | 18x90 | 2550 |
| EB | EAVE BOARD - RÄYSTÄSLAUTA - TAKFOTSBRÄDE | | 4 | 18x90 | 3850 |
| ES | EAVE SLAT - RÄYSTÄSLISTA - TAKFOTSLIST | | 4 | 30x40 | 3850 |
| D | DECORATIVE - KORISTE - PRYDNADS | | 2 | 18x90 | 200 |
| DAP | DOOR ASSEMBLING PROFILE - OVEN ASENNUSPROFIILI - DÖRR MONTERINGSPROFIL | | 2 | 70x44 | 1860 |
| PR | POST REGULATING BOLT - PALKI SÄÄTÖPULTTI - JUSTERINGSBULT FÖR BJÄLKE | | 3 | | |
| PCM | PURLINS CONNECTING METAL - KATTO-ORRET YHDISTAMISRAUTA - TAKASAR SAMMANSLAGNINGMETAL | | 5 | ∅6 | 200 |
| WCM | WALLBEAMS CONNECTING METAL - SEINÄPALKI YHDISTAMISMETALLI - VÄGGBJÄLKAR SAMMANSLAGNINGMETAL | | 18 | 25 | 30 |
| SJ1 | SCREW JOINT - KIERRETANKO-MYRSKYVARMISTUS GÄNGSTAPP-STORMSÄKRING | | 7 | ∅M10 | 2150 |
| Kood | C4173-70 Märten 30m2 | Materjal | File | C4173-70 Märten 30m2.dwg | Leht 14 |

| Pos | C4173-70 Mårten 30m2 | Pcs. Kpl. St. | Profile (mm) | L (mm) | | |
|------|--|--|---------------------------------|--------------------------|------|----|
| | NAILS - NAULAT - SPIKAR  FLOORBOARD - LATTIALAUTA - GOLVBRÄDE ROOFBOARD - KATTOLAUTAT - TAKBRÄDE | 750 | 2.5 | 60 | | |
| | NAILS - NAULAT - SPIKAR  SKIRTING SLAT - LATTIALISTA - GOLVLIST | 30 | 2.0 | 40 | | |
| | NAILS - NAULAT - SPIKAR  FLOORBEAMS - LATTIAPALKIT - GOLVBJÄLKAR | 24 | 5.0 | 100 | | |
| | SCREWS - RUUVIT - SKRUVAR  EAVE BOARD - RÄYSTÄSLAUTA - TAKFOTSBRÄDE EAVE SLAT - RÄYSTÄSLISTA - TAKFOTSLISTA GABLE BOARD - KAAPELILAUTA - VINDBRÄDE BORDER BOARDS - REUNALAUTA - FODERBRÄDE | 170 | 4.5 | 50 | | |
| | SCREWS - RUUVIT - SKRUVAR  ROOF FELT FILLET - KATON PÄÄTYLAUTA - TAKBRÄDE FÖR VINDBRÄDE WALLBEAMS CONNECTING METAL - SEINÄPALKI YHDISTAMISMETALLI - VÄGGBJÄLKAR SAMMANSLAGNINGMETAL | 90 | 4.5 | 35 | | |
| | SCREWS - RUUVIT - SKRUVAR  FIXING HALF BEAMS - VAHVISTETTAVA PUOLIKKAAT PALKIT FÖR ATT FASTA HALVA VÄGGPROFILER | 25 | 4.5 | 90 | | |
| | | | | | | |
| | <p>DOOR - OVI - DÖRR 900x1860 1 set - kpl - st (Left hand-vasen käsi-vänster hand)</p>  <p>AST</p>  | <p>V.P.</p> <p>1</p> <p>1</p> <p>1+1</p> | <p>1</p> <p>900</p> <p>1860</p> | | | |
| Kood | C4173-70 Mårten 30m2 | Materjal | File | C4173-70 Mårten 30m2.dwg | Leht | 15 |

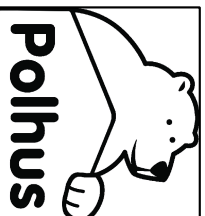


Detta är ett förslag för hur man kan placera plintarna (100- 200 mm i diamater) för golvväggsklaget. Golvväggskarna är med i byggsatsen, men inte plintarna. Används man exempelvis 500-600mm långa murblock så kan man halvera antalet punkter. Lägg fuktskyddande papp mellan betong och trä

Tämä on ehdotus siitä, miten (100-200 mm läpimitäiset) jalat voidaan sijoittaa alapohjan varren. Lattiapalkit ovat rakennussarjassa, mutta jalakia ei ole. Kun käytetään esimerkiksi 500-600 mm pitkiä harkkoja, voidaan pisteiden määrä puolitaa. Aseta betonin ja puun väliin kosteudella suojaava paperi

A proposal for placing plinths (100-200 mm in diameter) for floor beams. Floor beams are provided in the kit but plinths are not included. For example, by using 500-600 mm long masonry units, one can reduce the number of points 50%. Place cardboard between the concrete and wood to protect from moisture

Date rev. Description



| | | | |
|----------|----------------------|-------|--------------------------|
| House | C4173-70 Mårten 30m2 | Sheet | 16 |
| Drawing | Plan | Scale | 1:35 |
| Material | | Date | 06.07.2020 |
| Drawer | K.K. | File | C4173-70 Mårten 30m2.dwg |