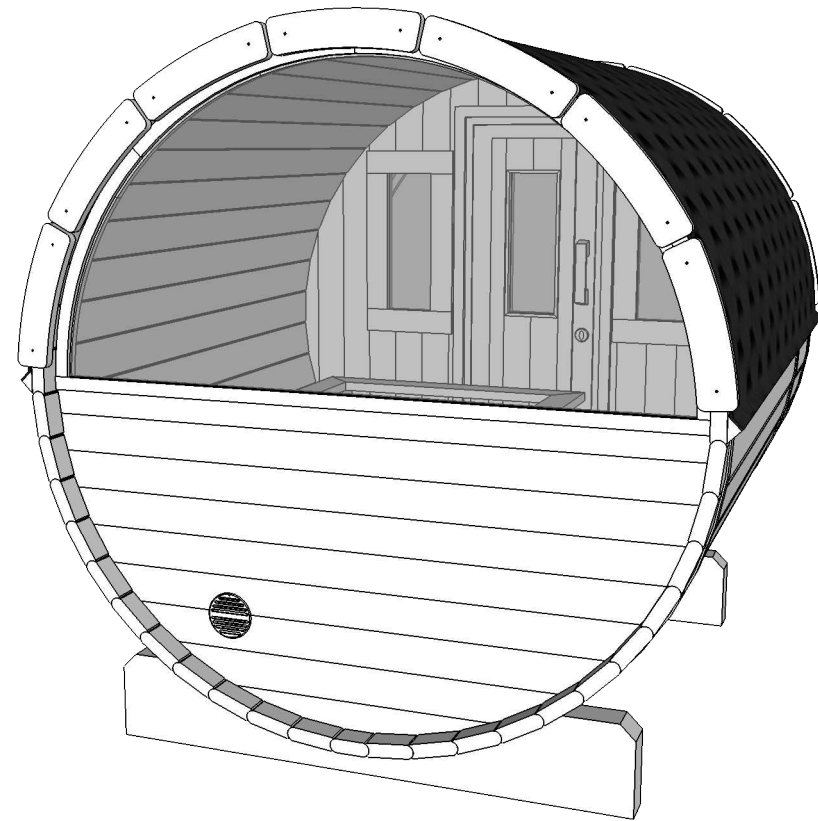


Sauna 235,Ø200

(Half-moon glass)

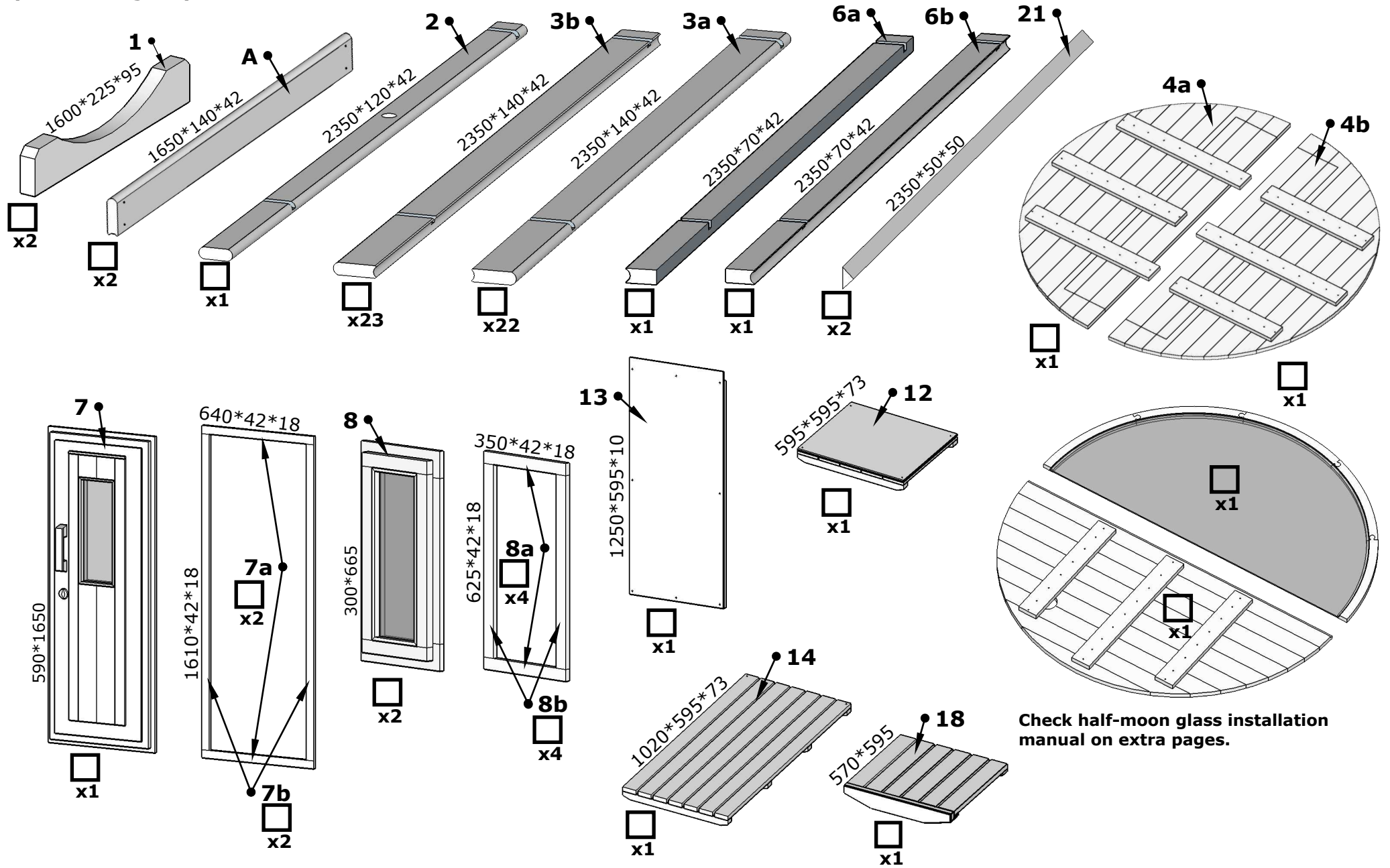
Please read the whole manual before start.



SAUNA 235, Ø 200

(Half-moon glass)

Details list. 1

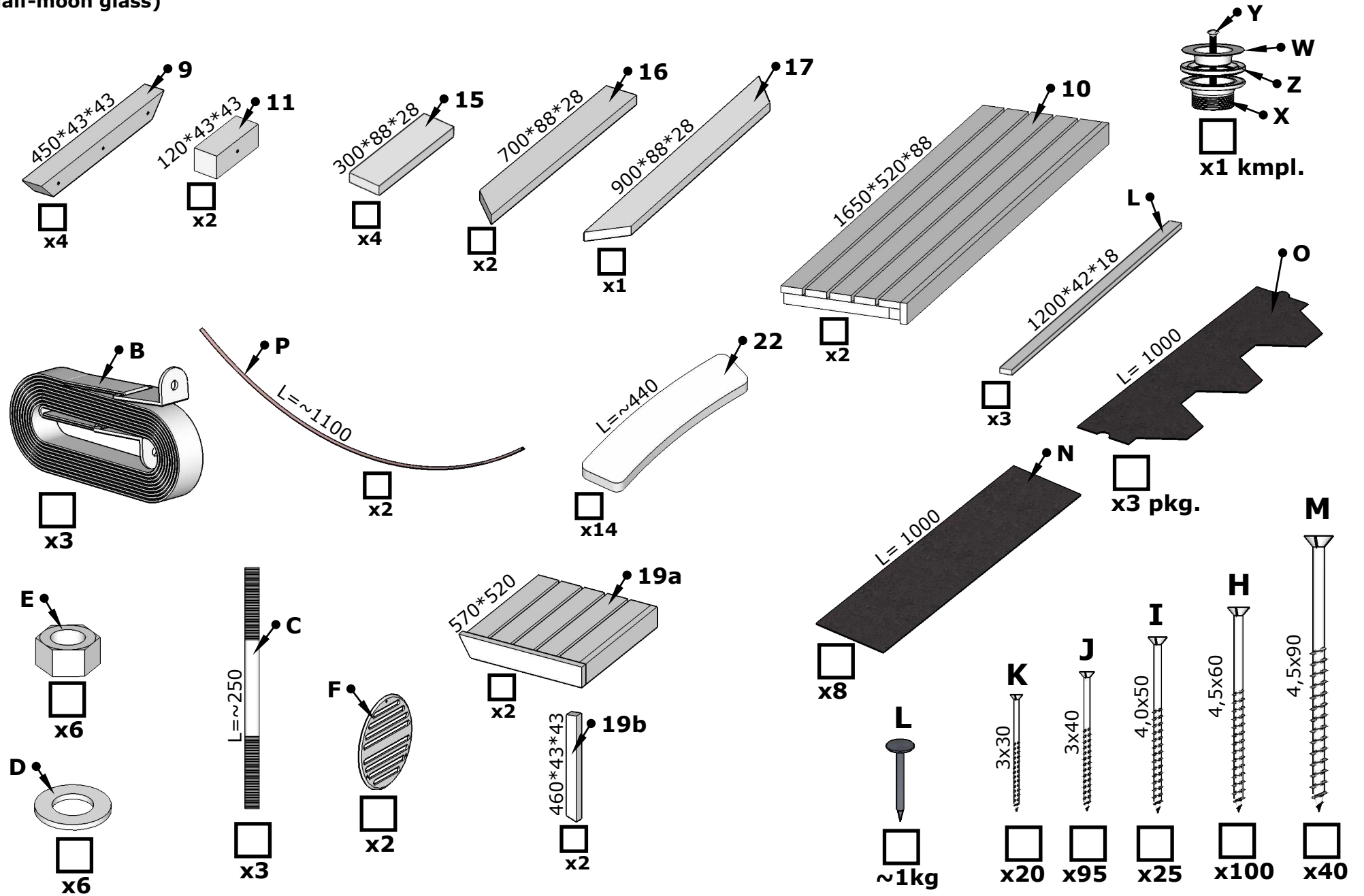


Check half-moon glass installation manual on extra pages.

SAUNA 235, Ø 200

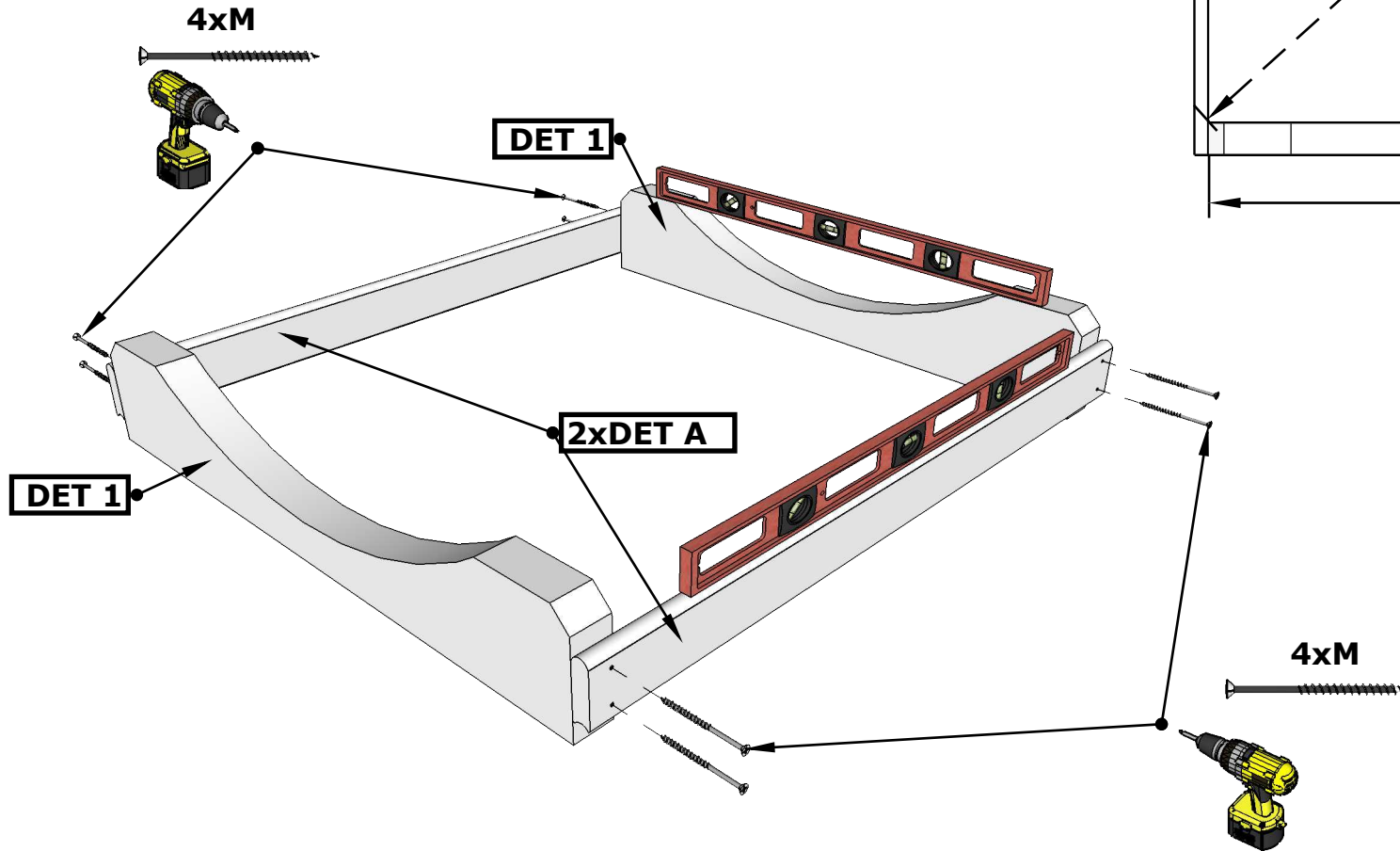
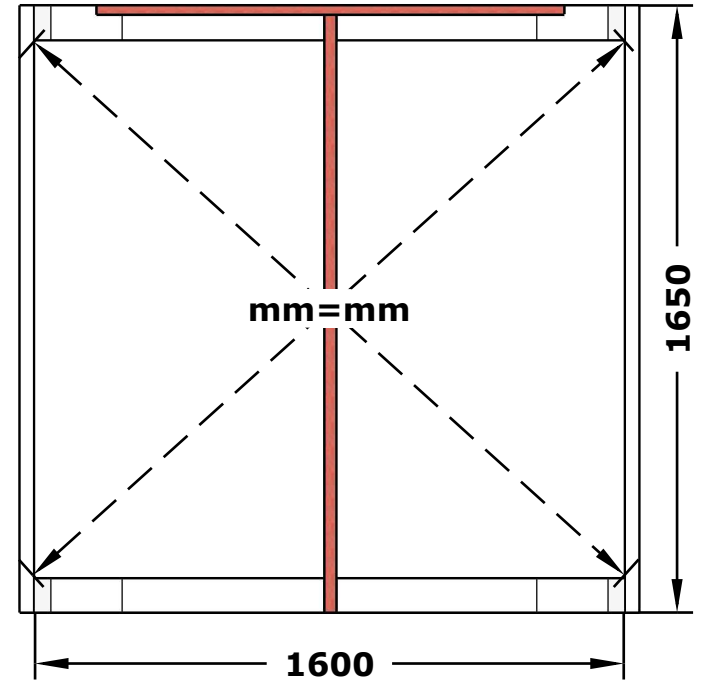
(Half-moon glass)

Details list. 2



Sauna 235, D 200

(Half-moon glass)

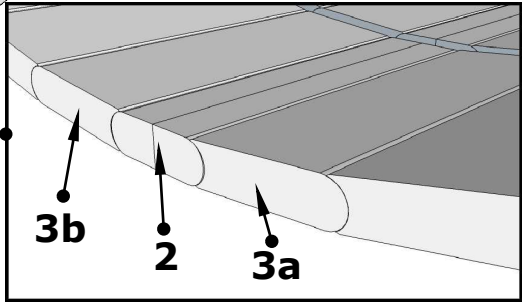
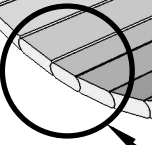
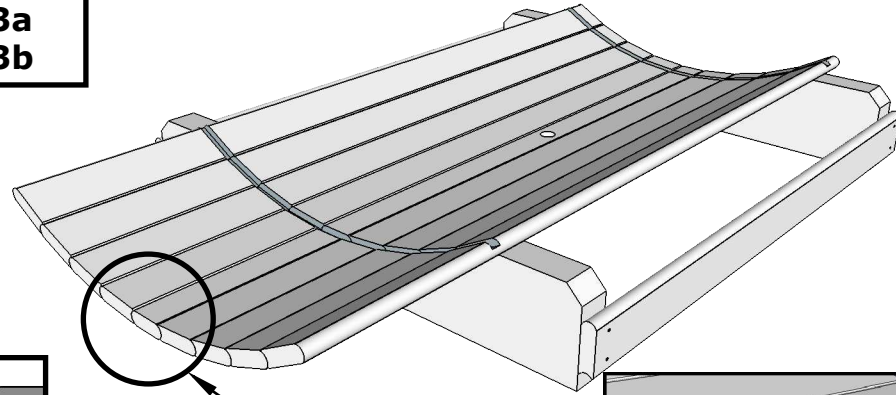


1.

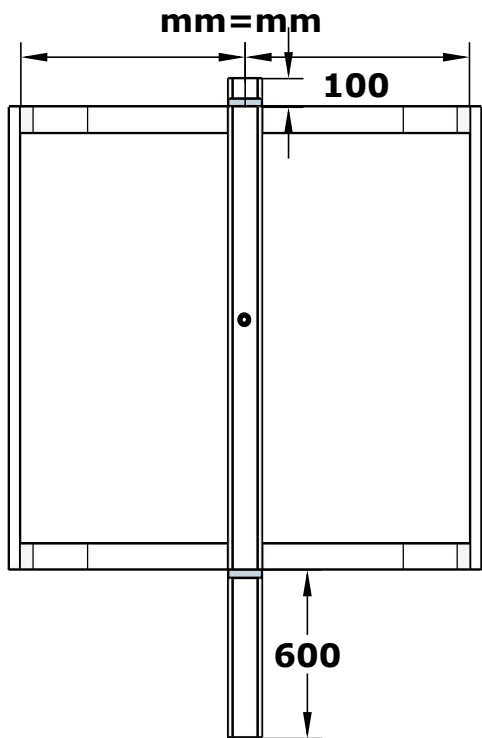
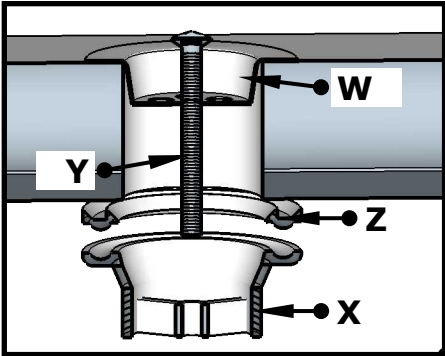
Sauna 235, D 200
(Half-moon glass)



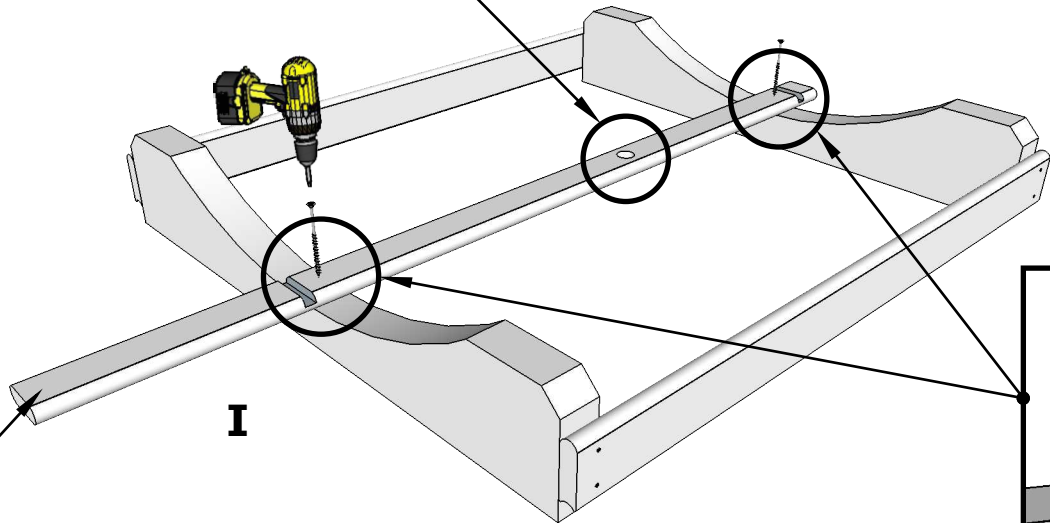
4 x DET 3a
4 x DET 3b



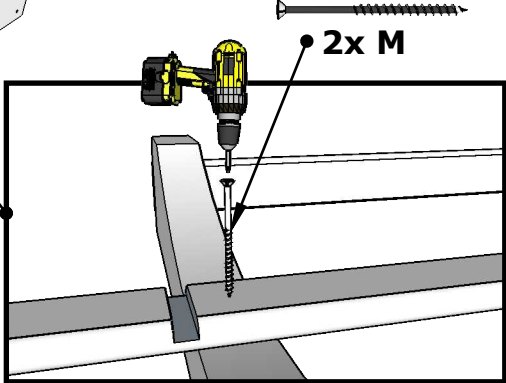
II



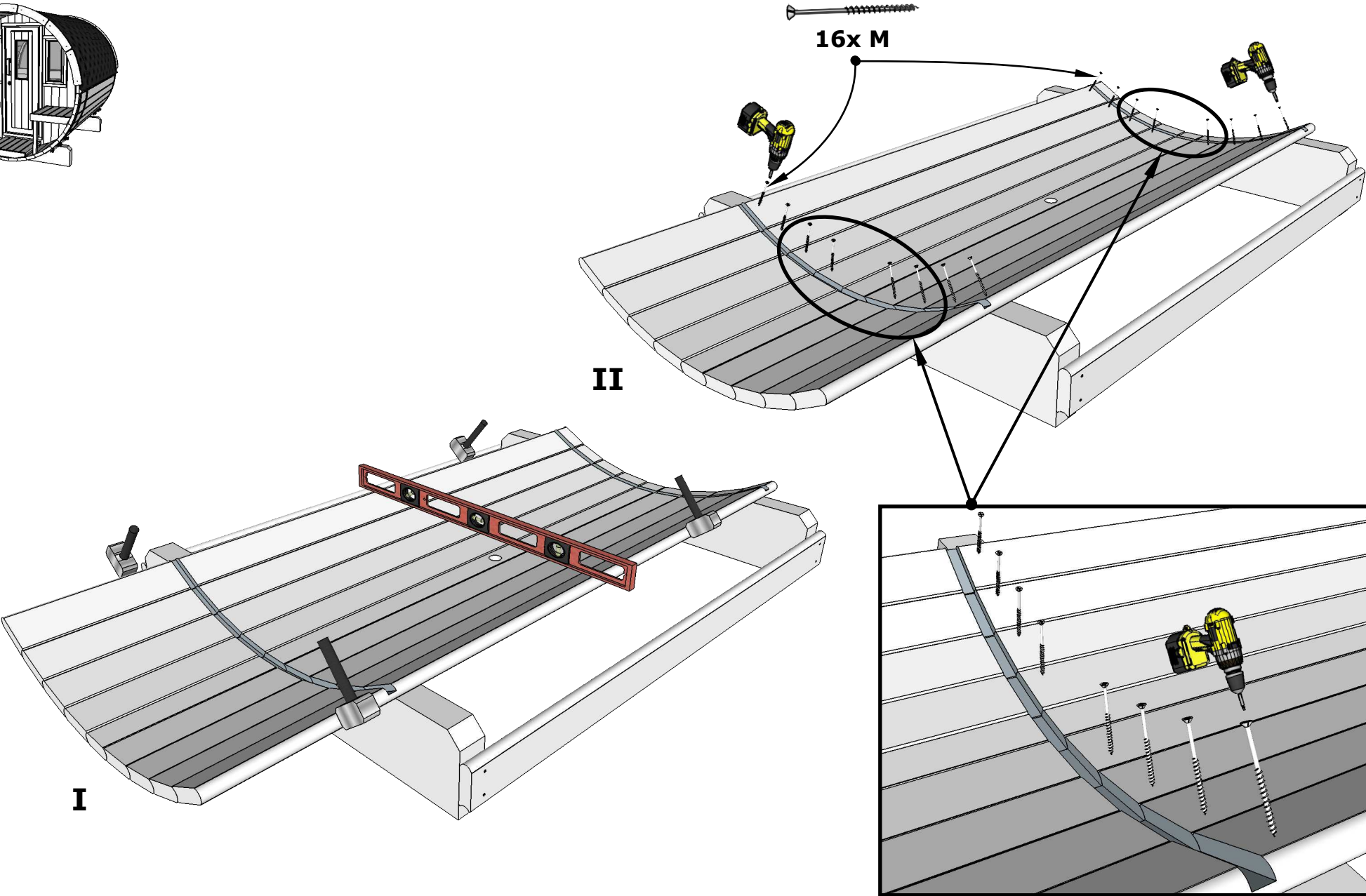
1x DET 2



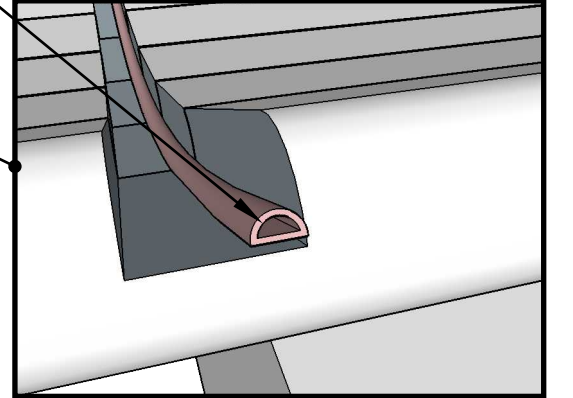
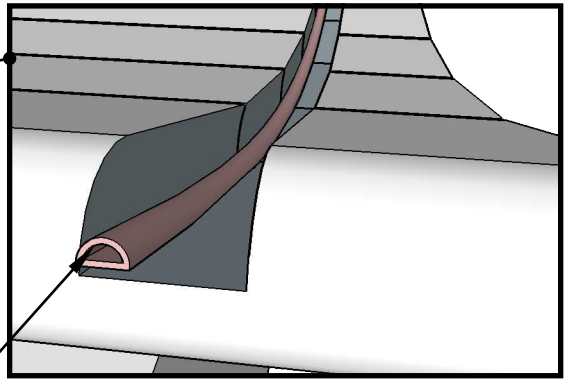
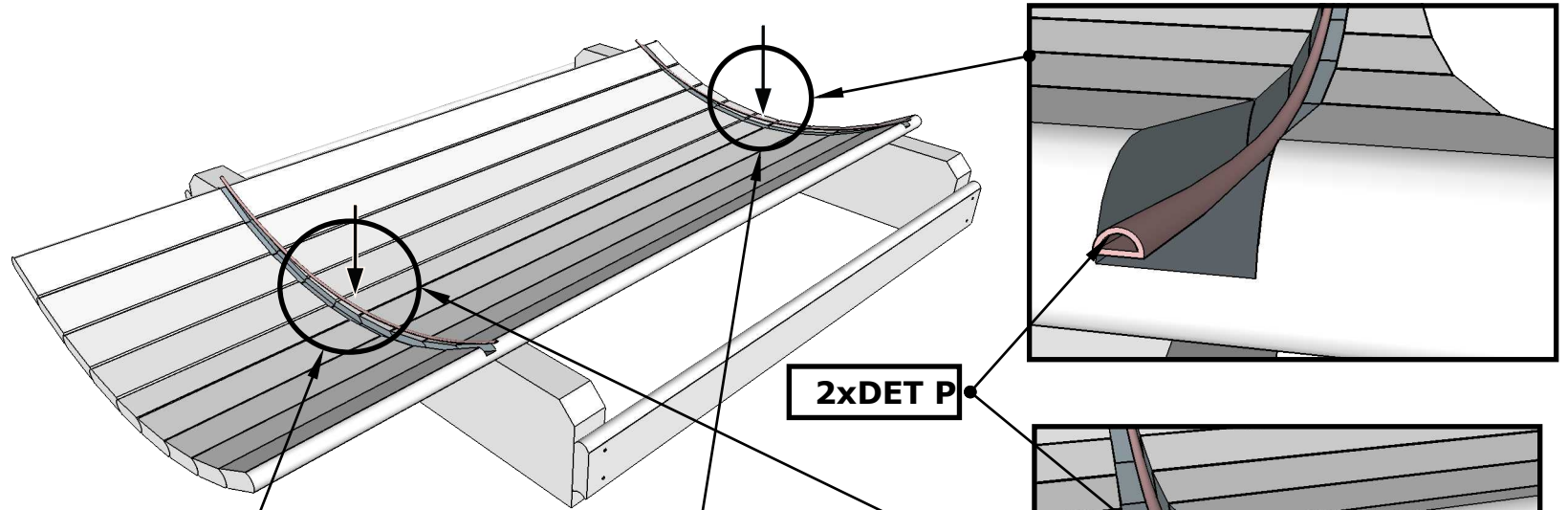
I



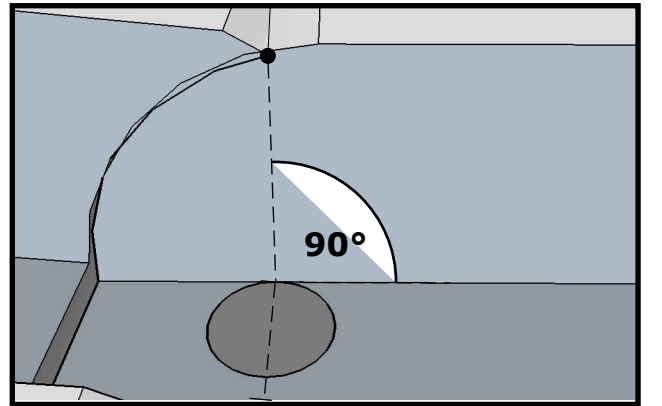
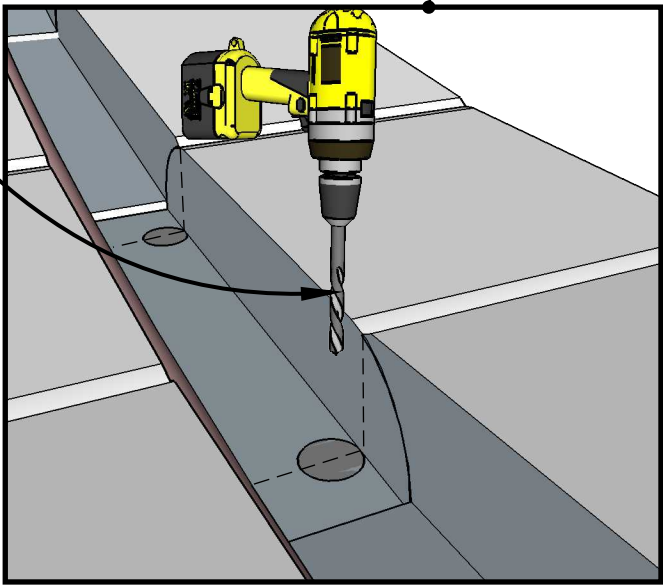
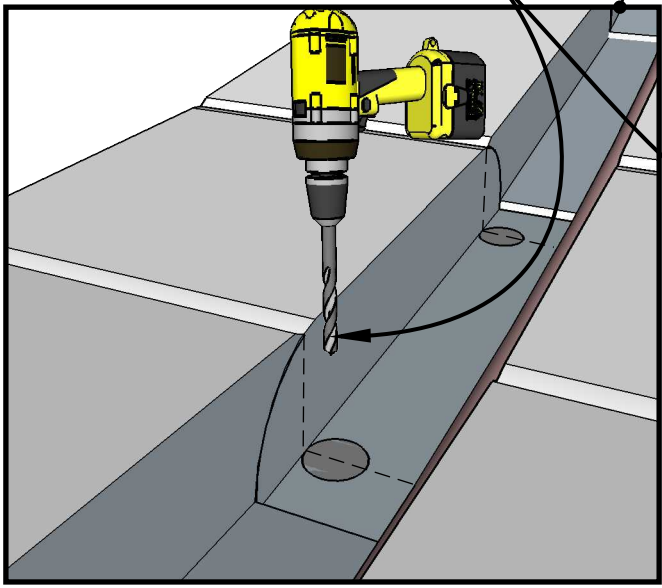
Sauna 235, D 200
(Half-moon glass)



Sauna 235, D 200
(Half-moon glass)



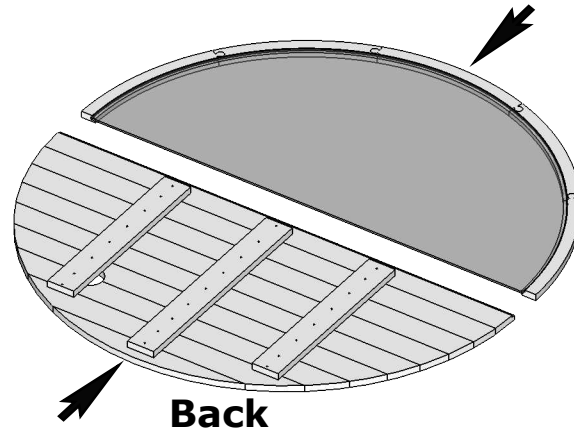
**Drill 4 holes Ø10 mm
to DET 2**



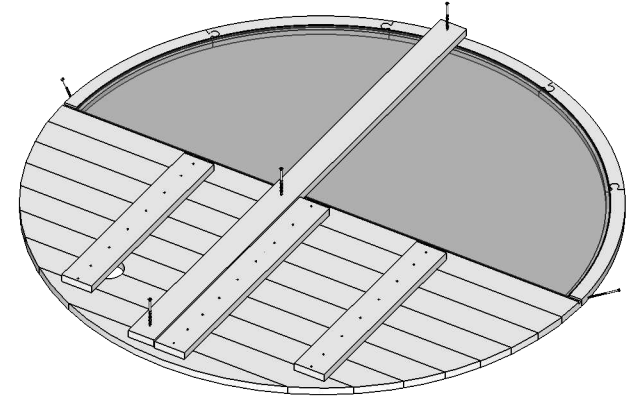
Sauna 235, D 200
(Half-moon glass)



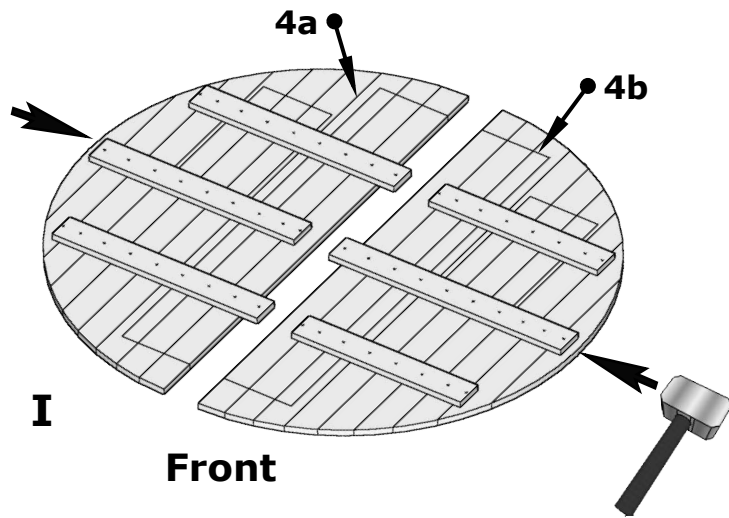
Check Half-moon glass wall installation manual on extra pages.



Back

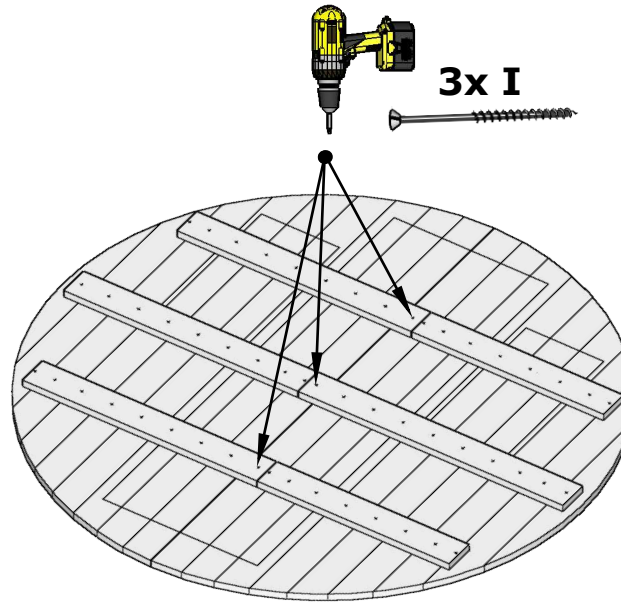


Back



I

Front

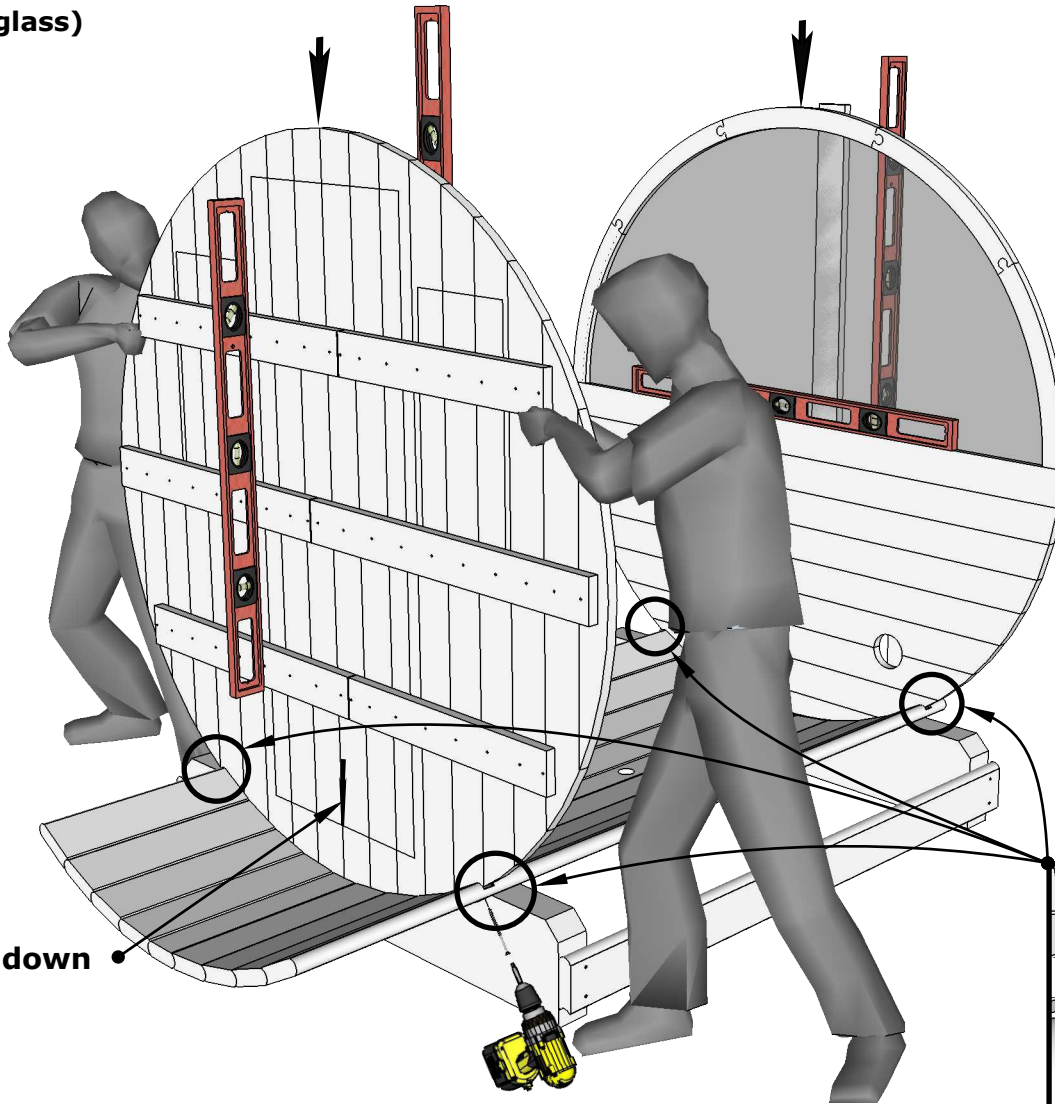


3x I

II

Front

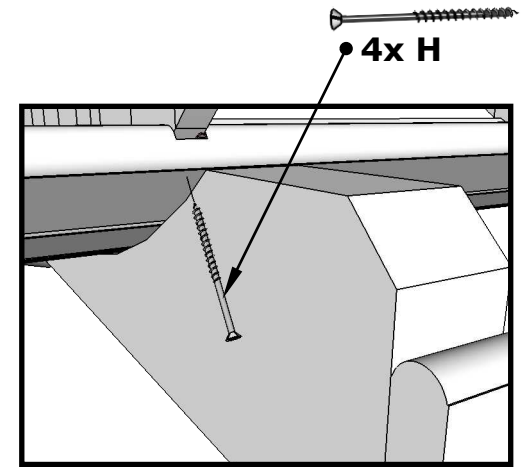
Sauna 235, D 200 (Half-moon glass)



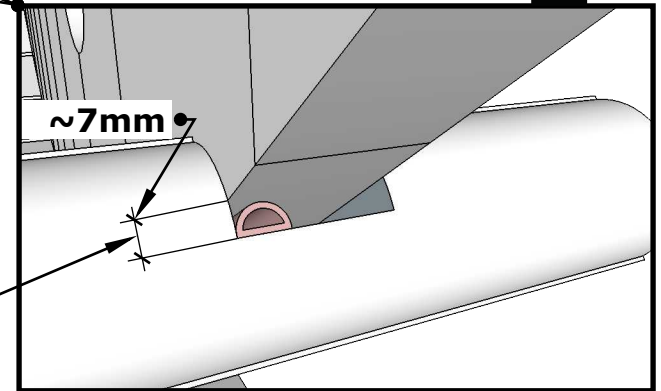
Arrow down



Use waterlevel



4x H



~7mm

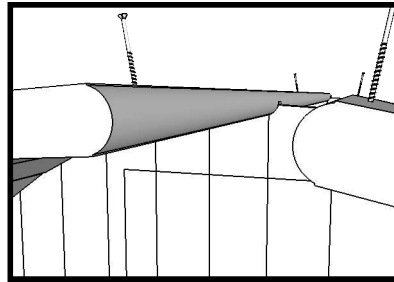
Important!
Don't leave the space if
Your sauna from thermowood.

Sauna 235, D 200

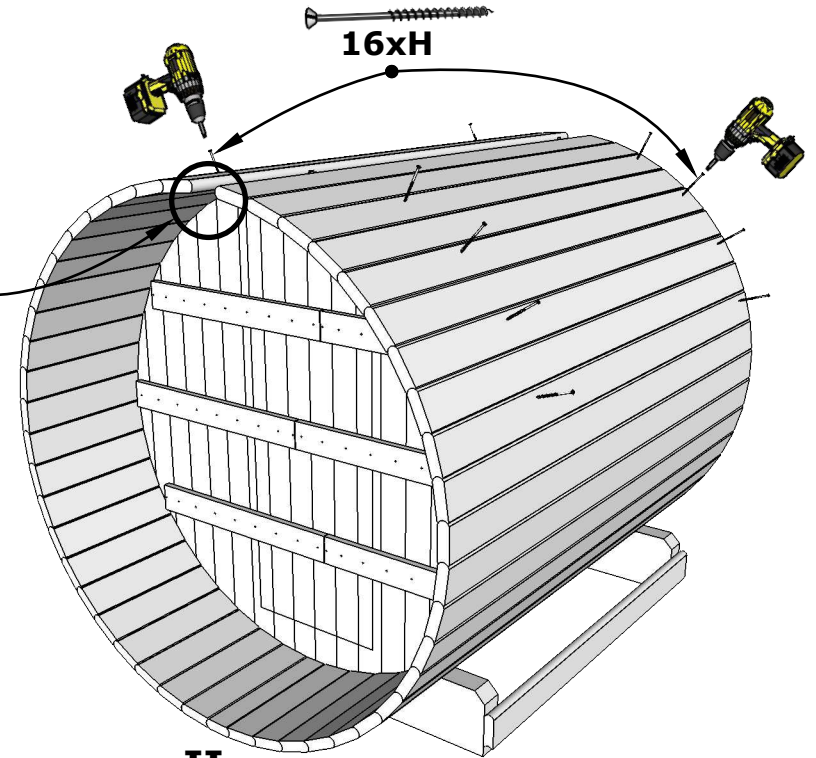
(Half-moon glass)



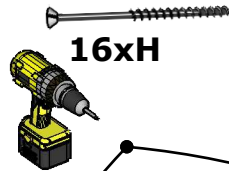
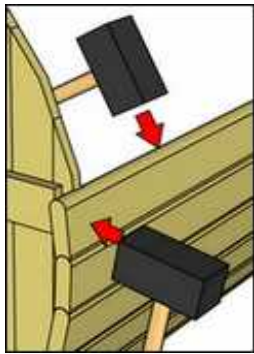
Check page 6A



11x DET 3b
10x DET 3a

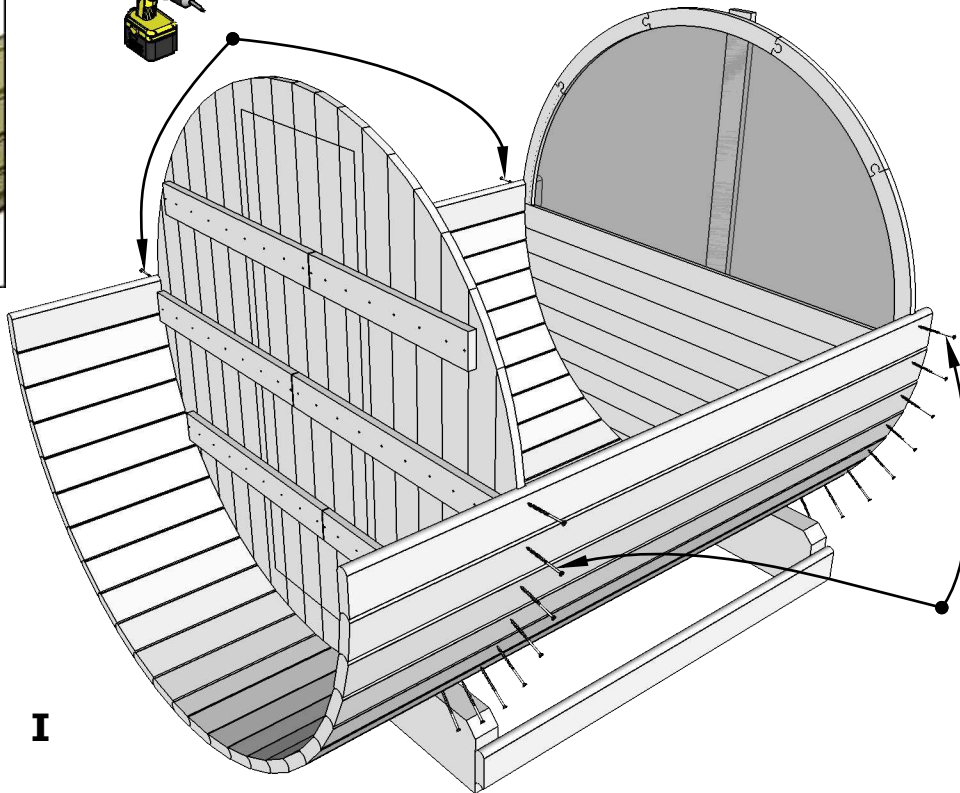


II

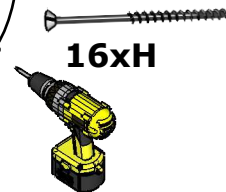


16xH

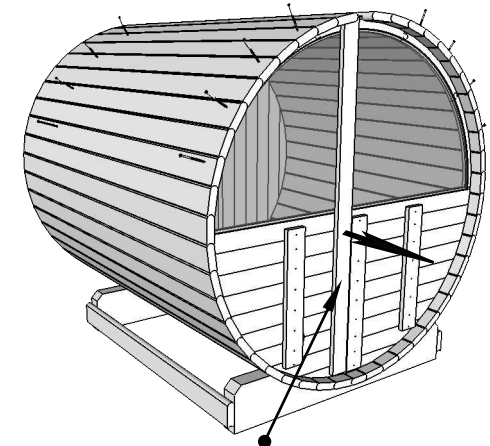
8x DET 3a
8x DET 3b



I

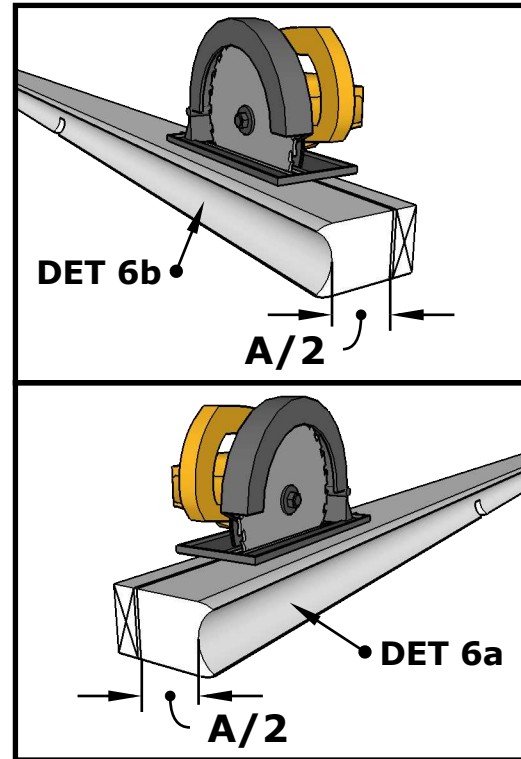


16xH

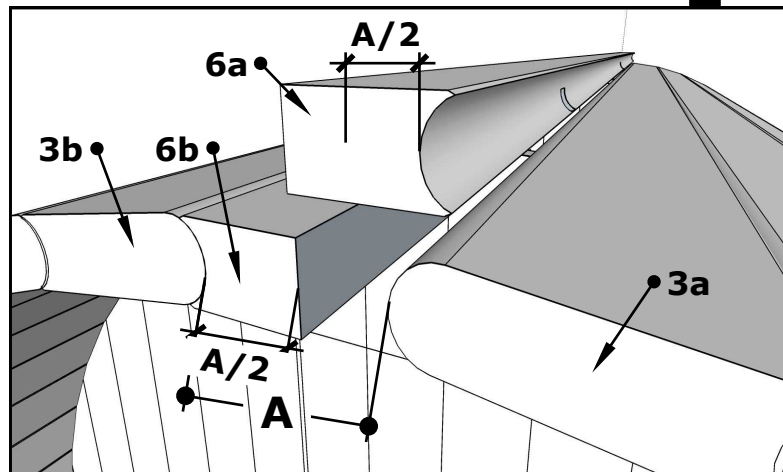


Remove bracket
before last boards.

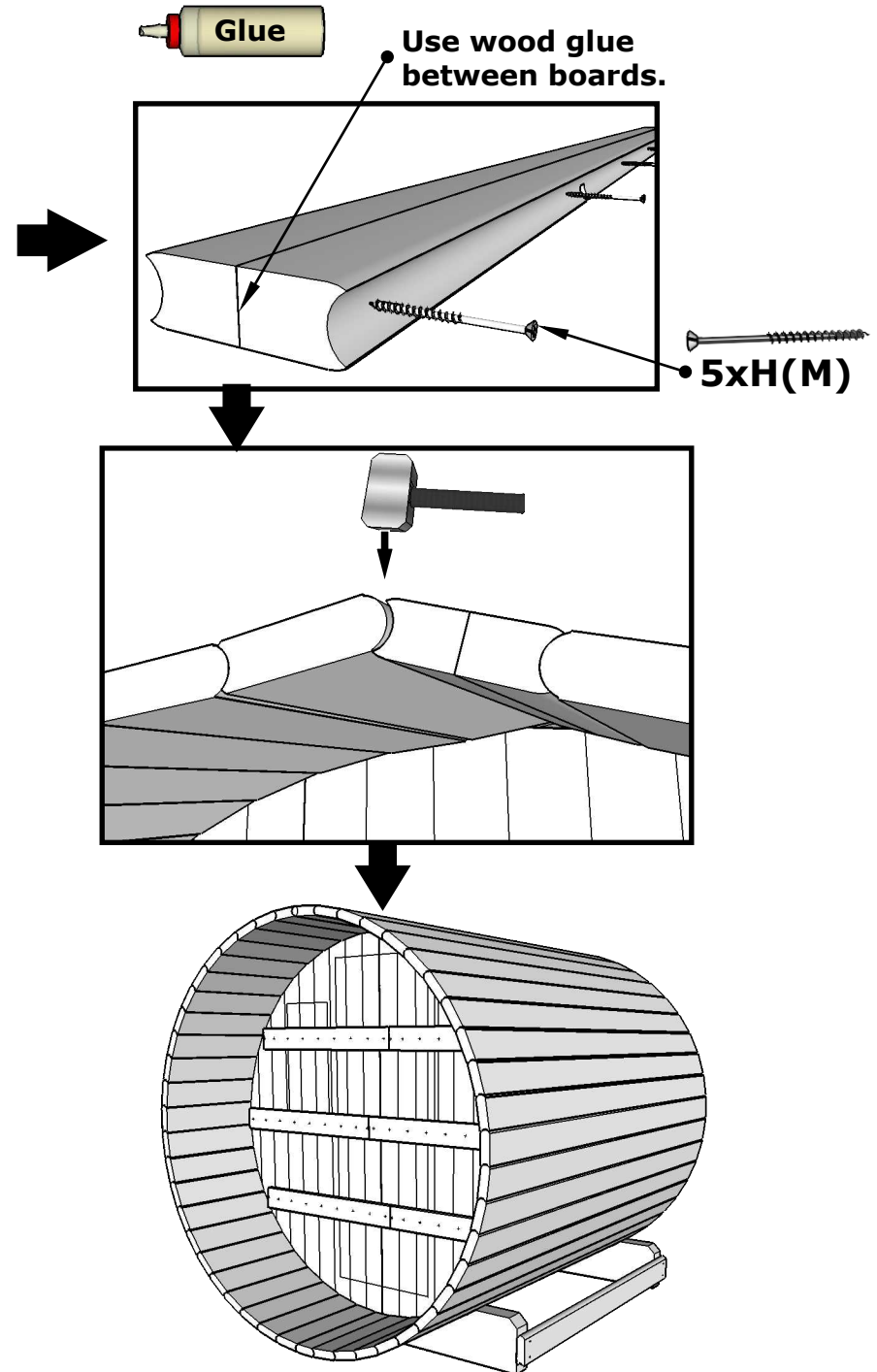
Sauna 235, D 200
(Half-moon glass)



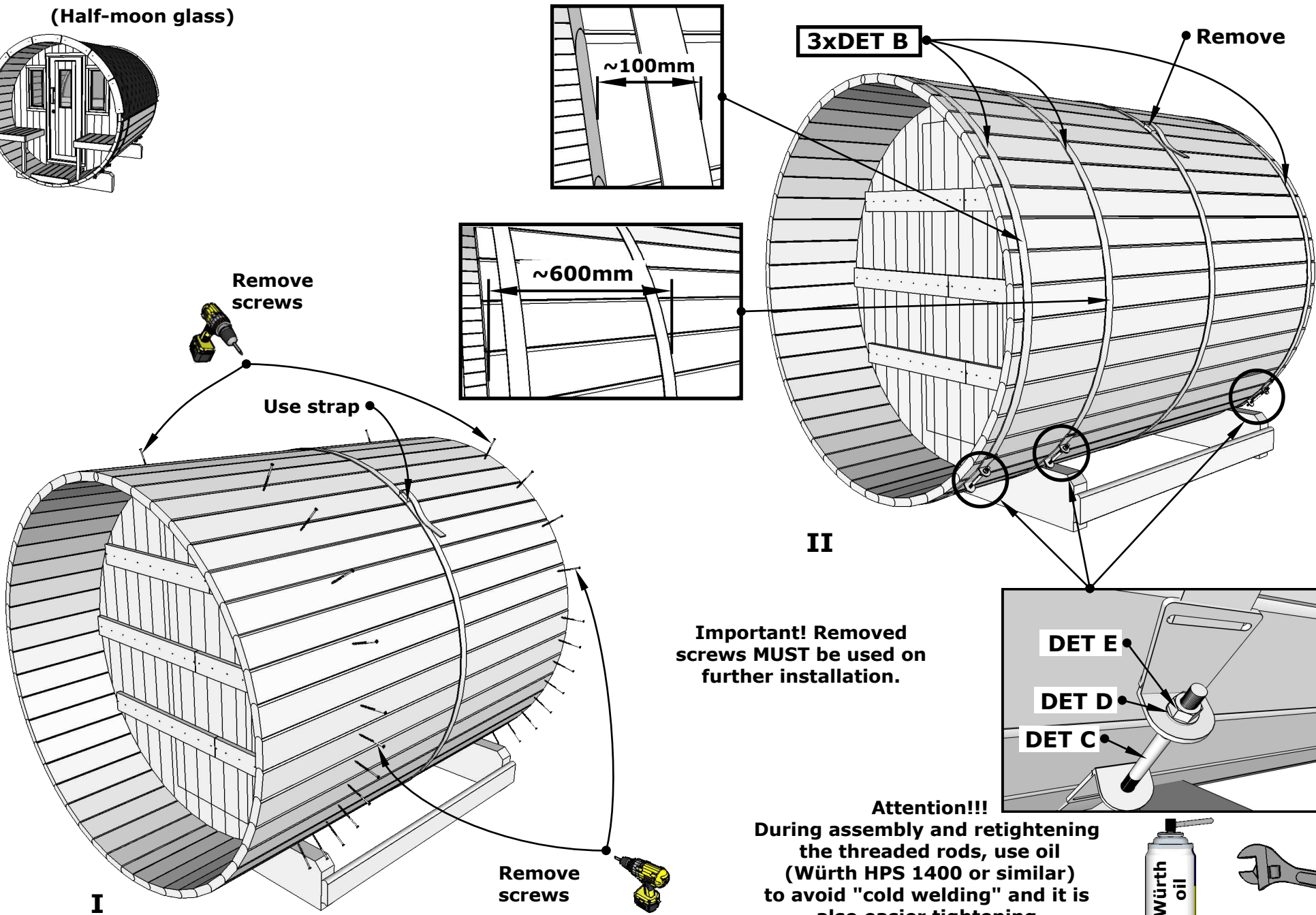
Important!!!



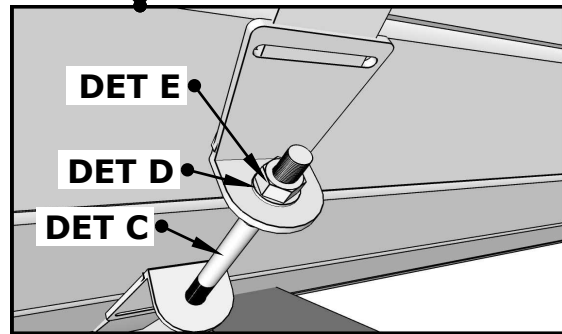
6a.



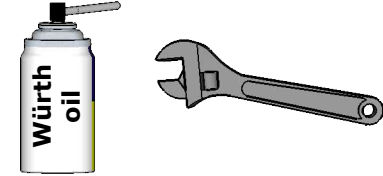
Sauna 235, D 200
(Half-moon glass)



Important! Removed screws MUST be used on further installation.



Attention!!!
During assembly and retightening the threaded rods, use oil (Würth HPS 1400 or similar) to avoid "cold welding" and it is also easier tightening.

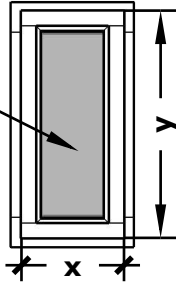


Sauna 235, D 200 (Half-moon glass)

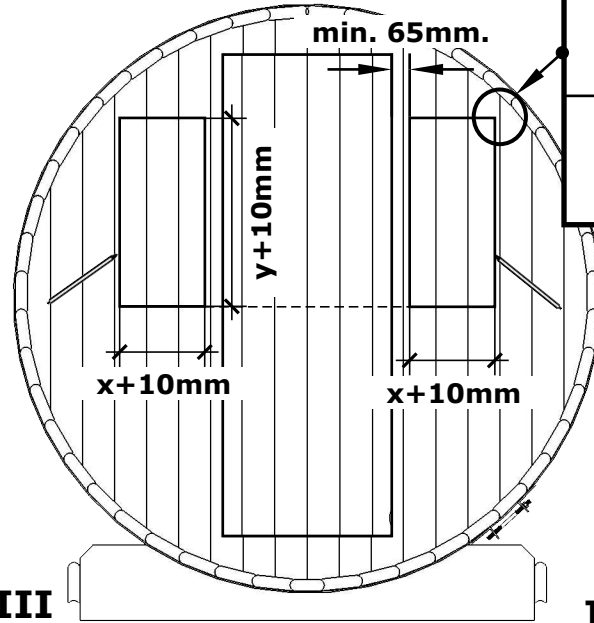


Mark windows openings.

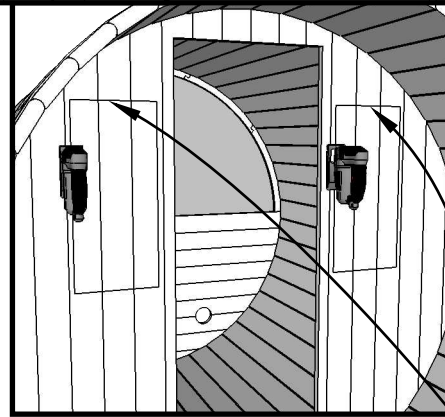
DET 8



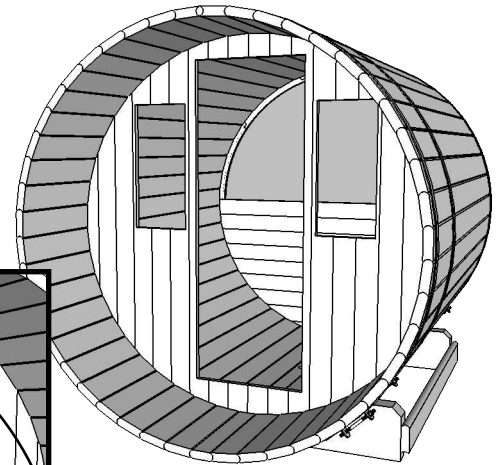
III



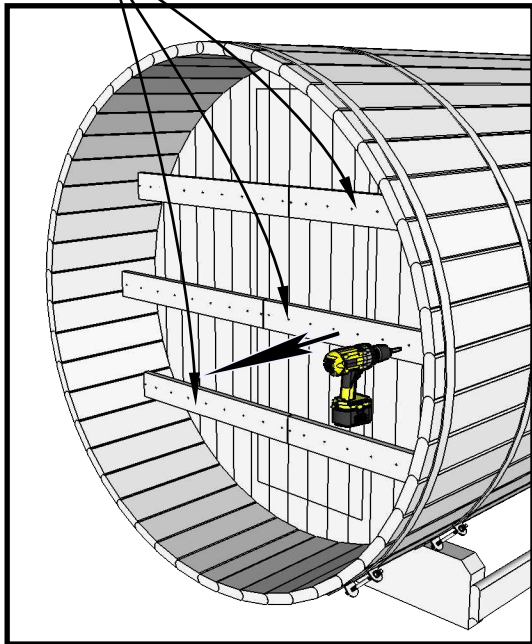
IV



V

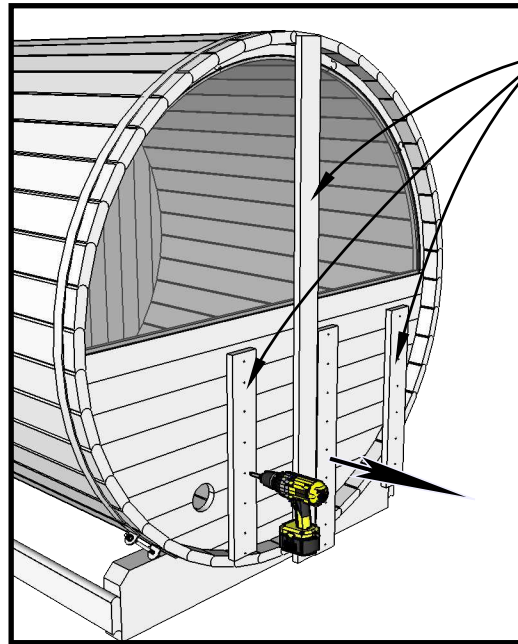


Remove all brackets



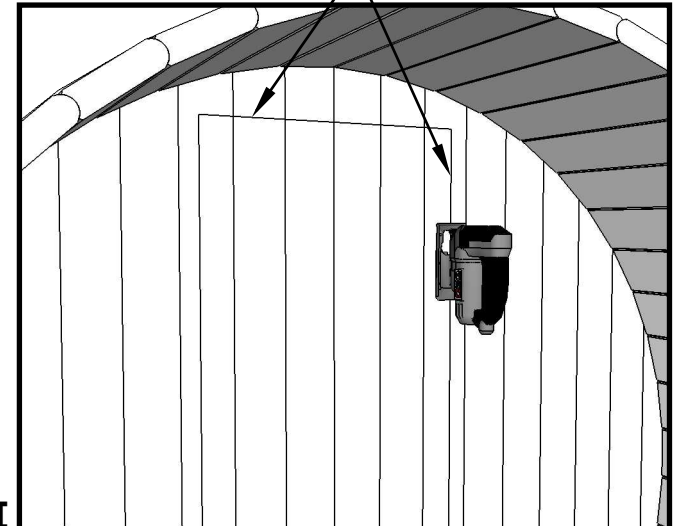
I

Remove all brackets



II

Follow the guidelines



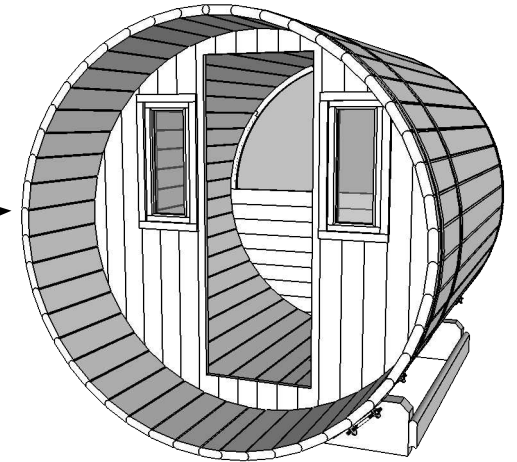
Sauna 235, D 200 (Half-moon glass)



Use waterlevel for windows installation!

4x DET 8a
4x DET 8b

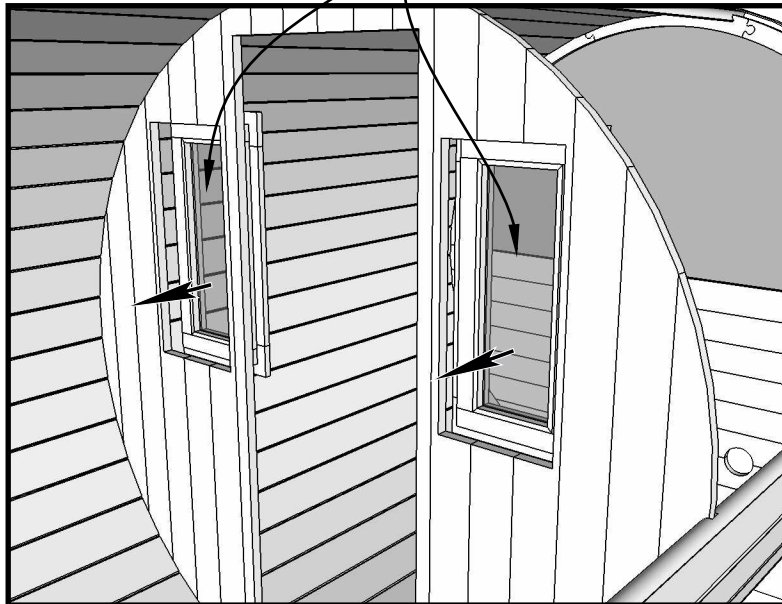
20x J



III

NB! Place windows from inside!

2x DET 8



I

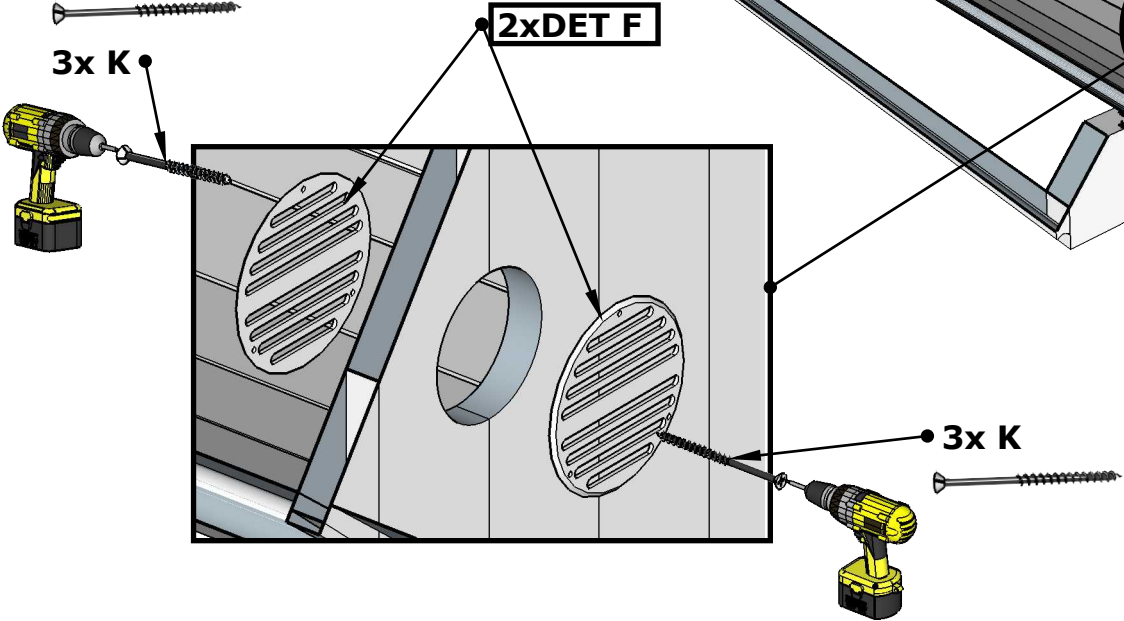
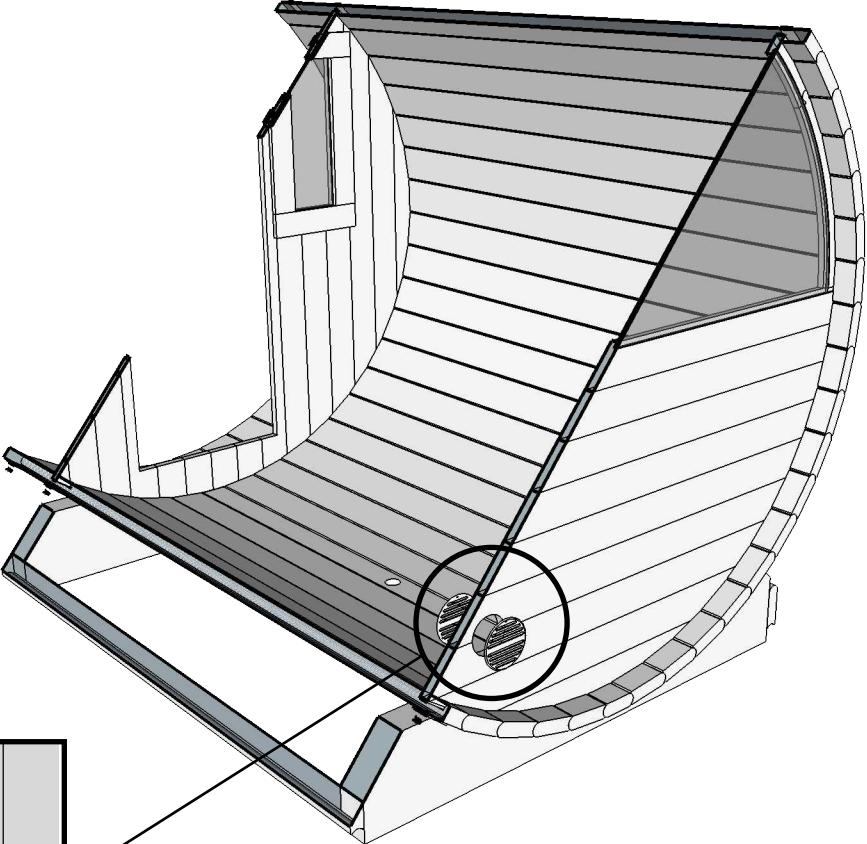
20x J

II

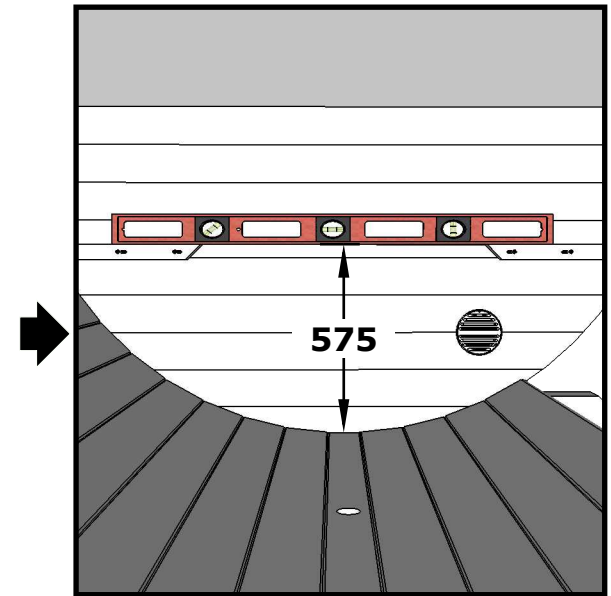
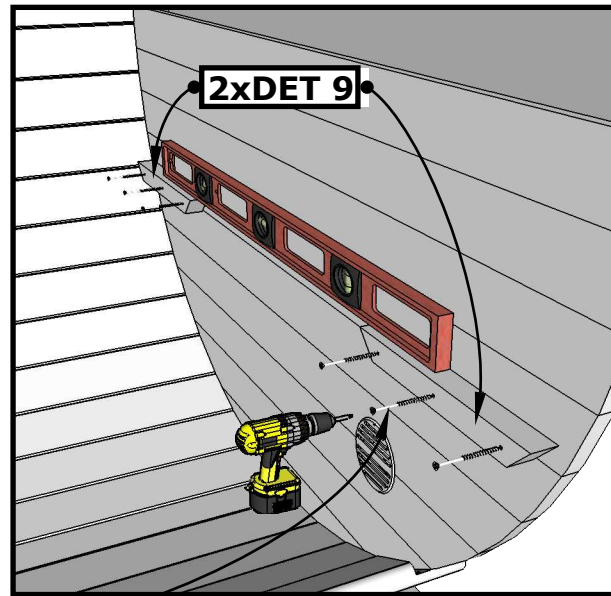
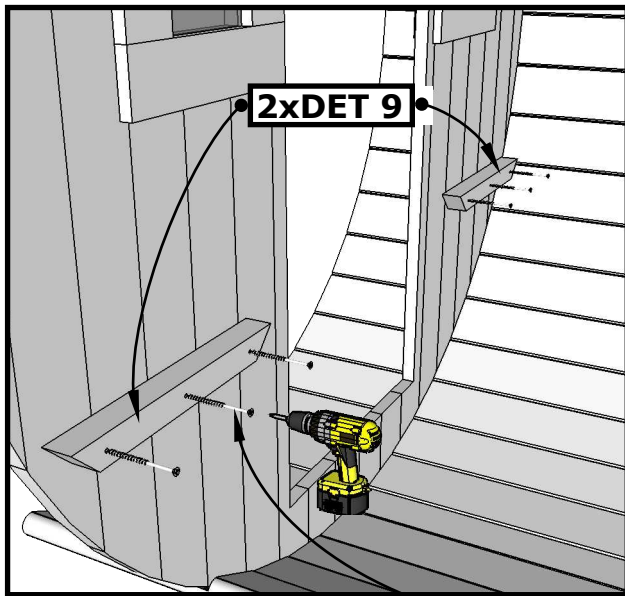
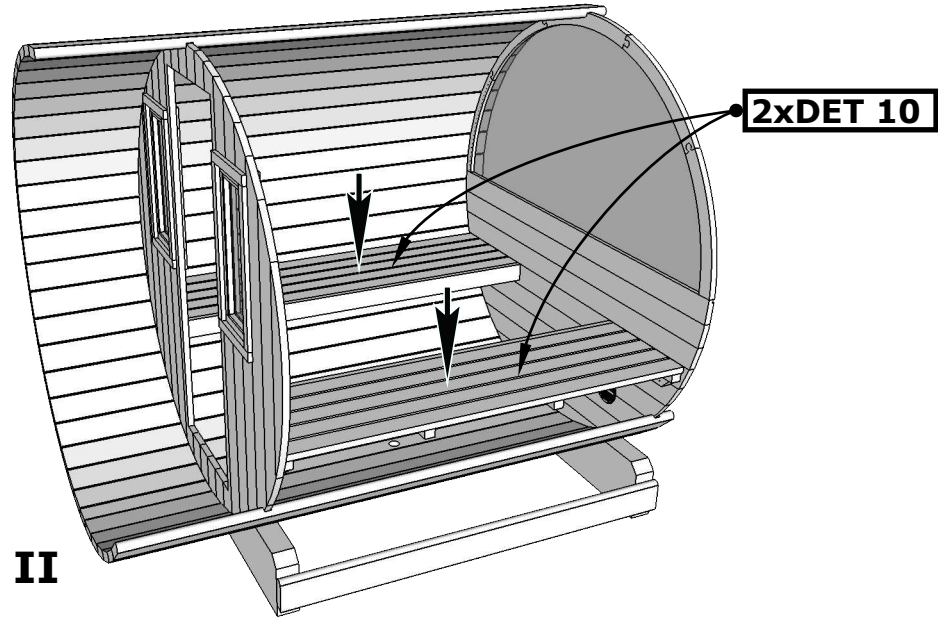


Horizontally fix screws in every board

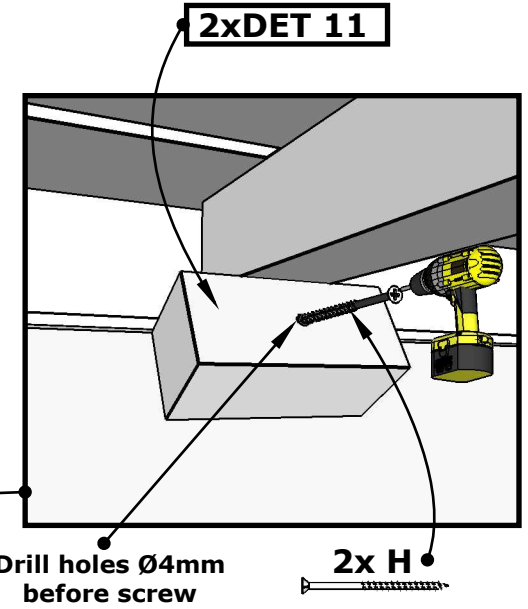
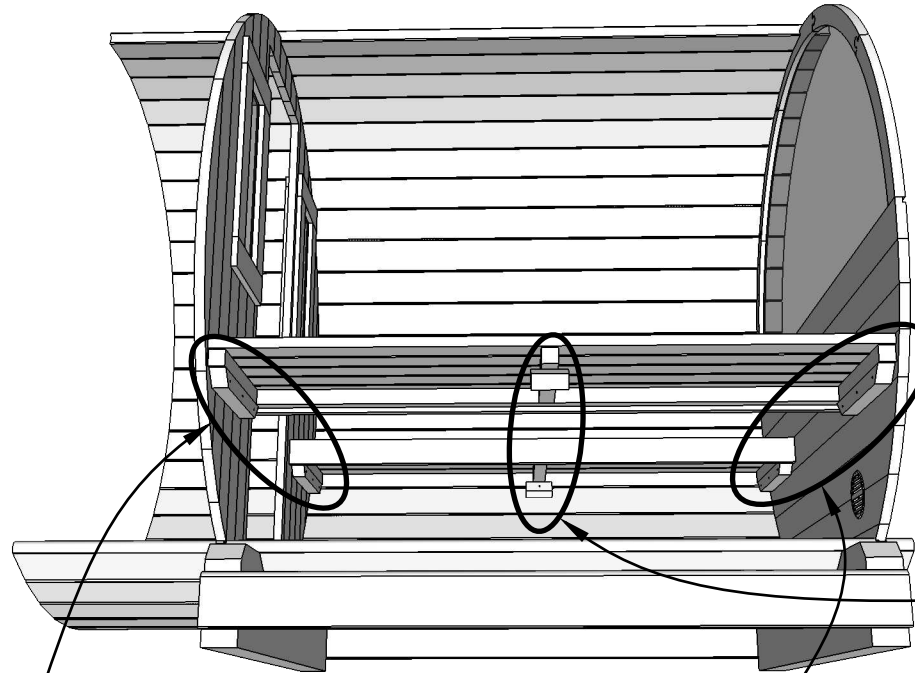
Sauna 235, D 200
(Half-moon glass)



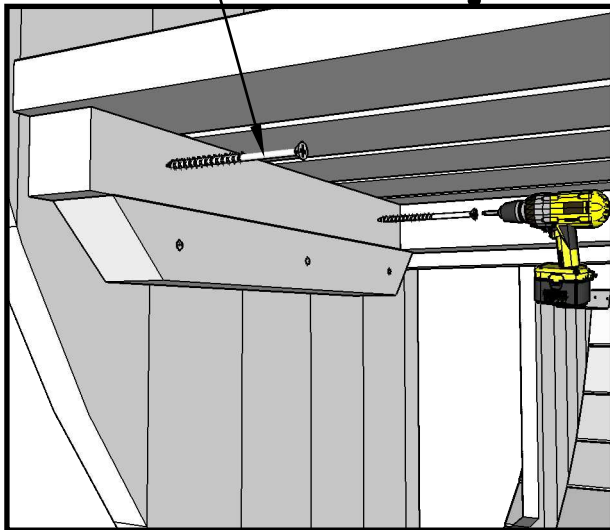
Sauna 235, D 200
(Half-moon glass)



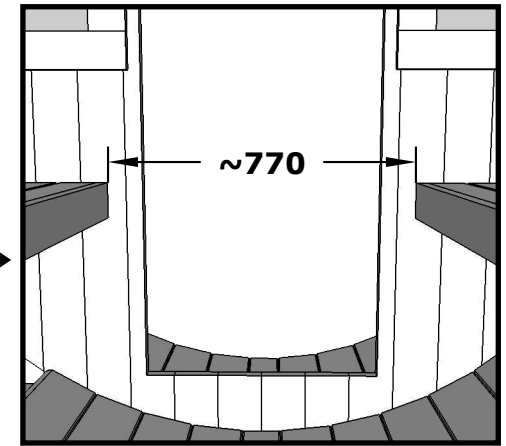
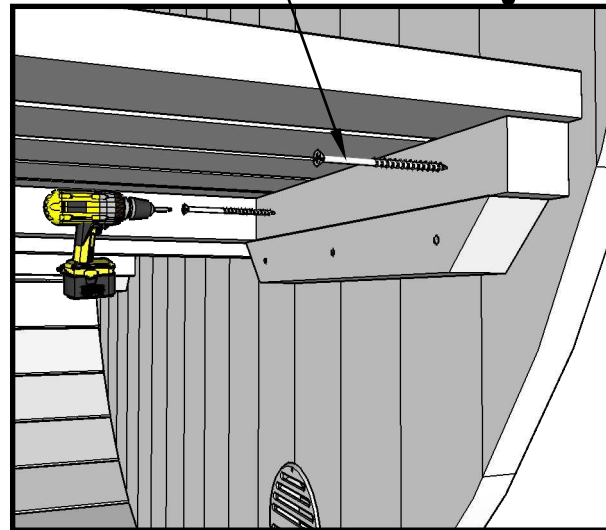
Sauna 235, D 200
(Half-moon glass)



4x H



4x H

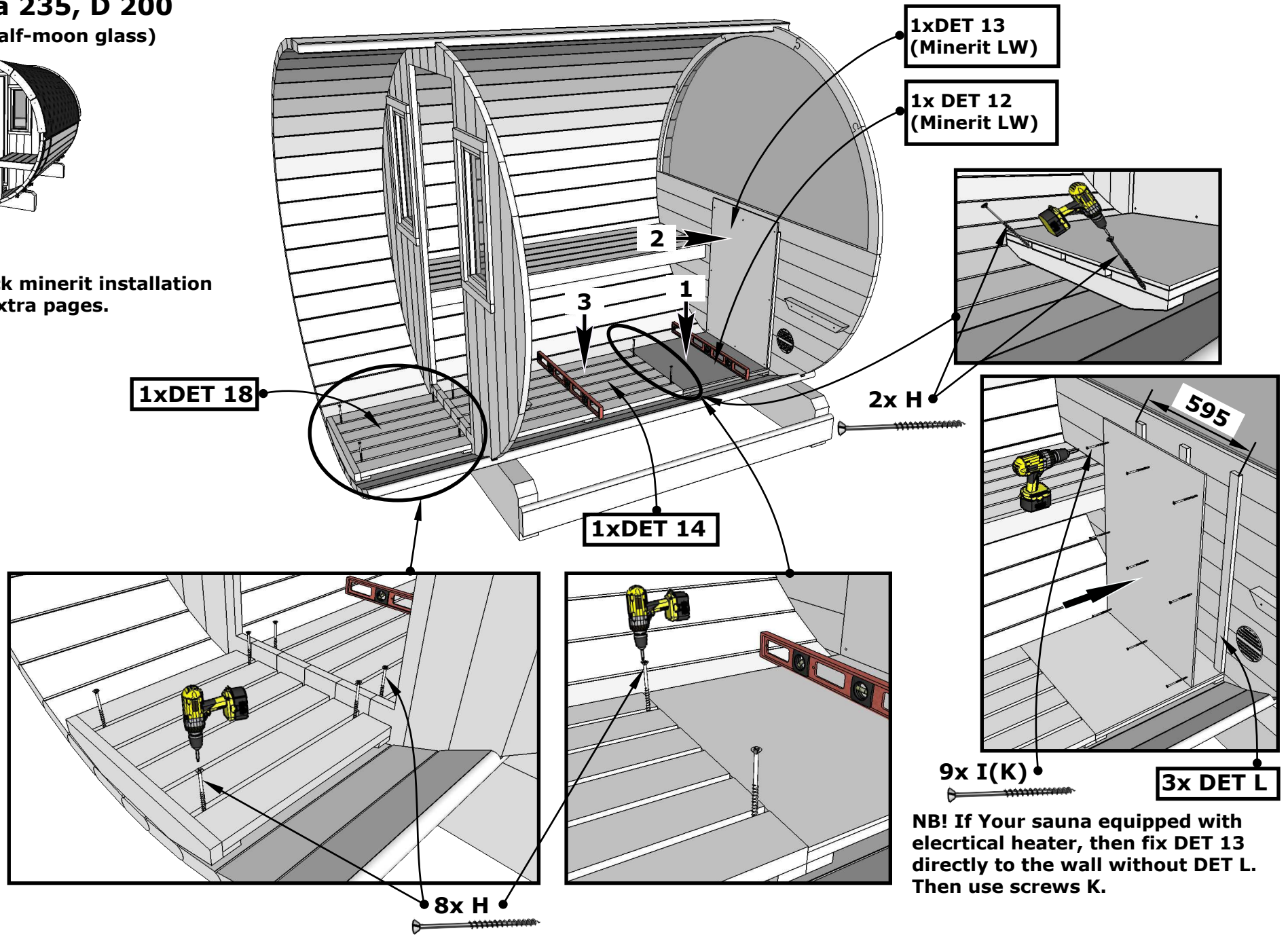


Sauna 235, D 200

(Half-moon glass)

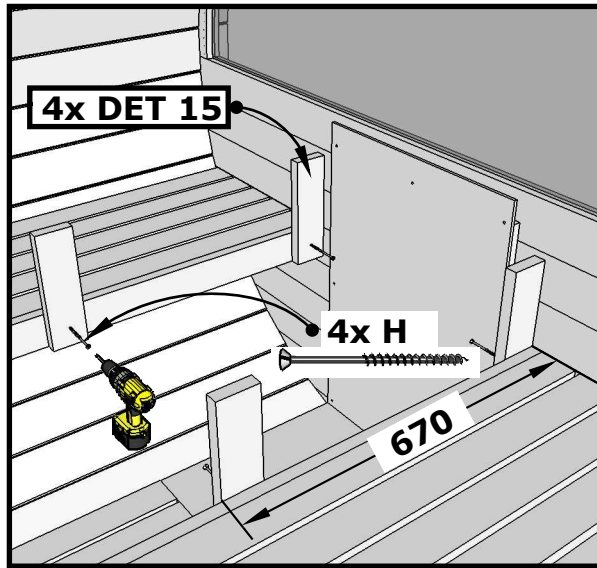


Check minerit installation on extra pages.

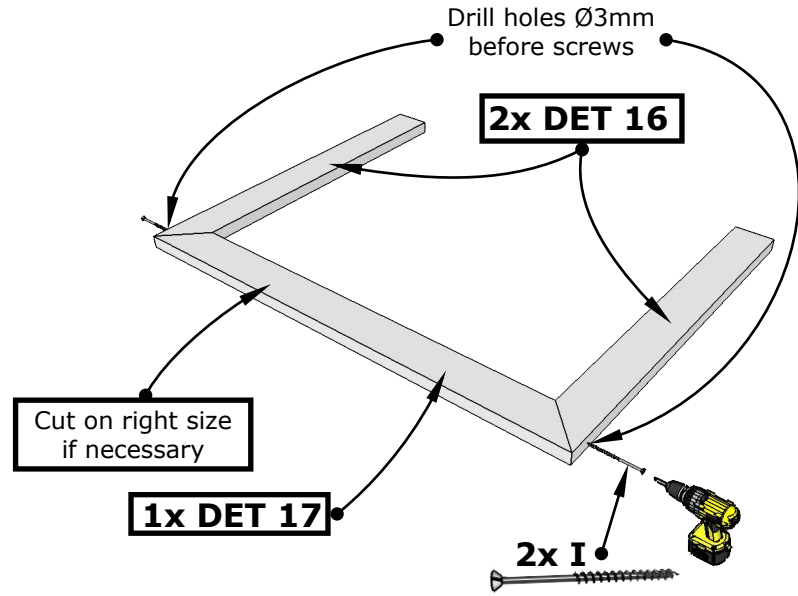


NB! If Your sauna equipped with electrical heater, then fix DET 13 directly to the wall without DET L. Then use screws K.

Sauna 235, D 200
(Half-moon glass)



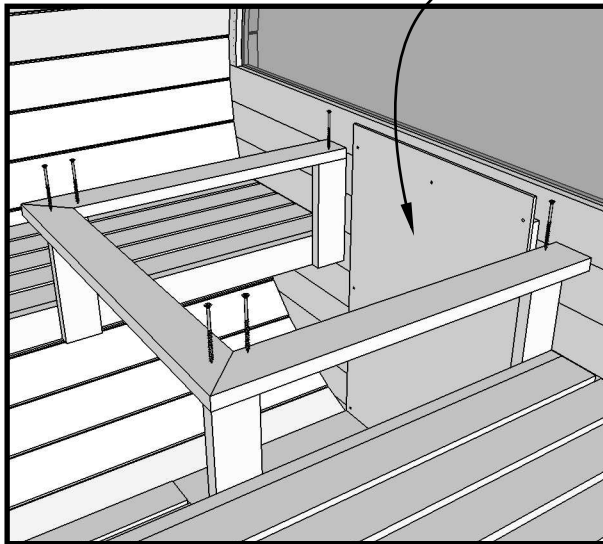
I



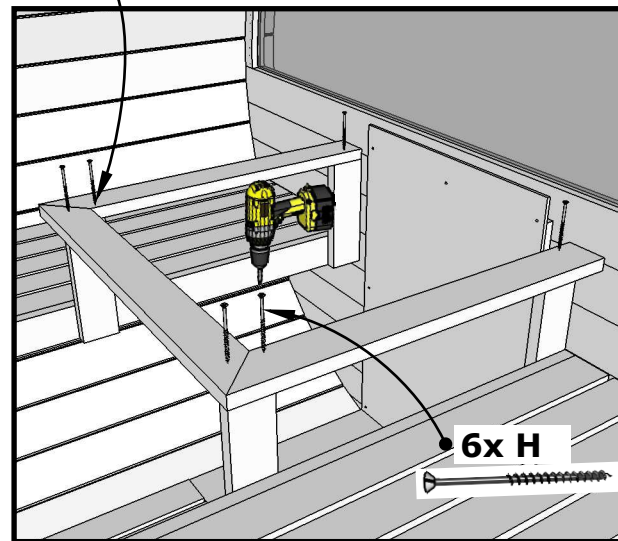
II

NB: Place sauna heater first

Drill holes Ø4 mm before screws



III

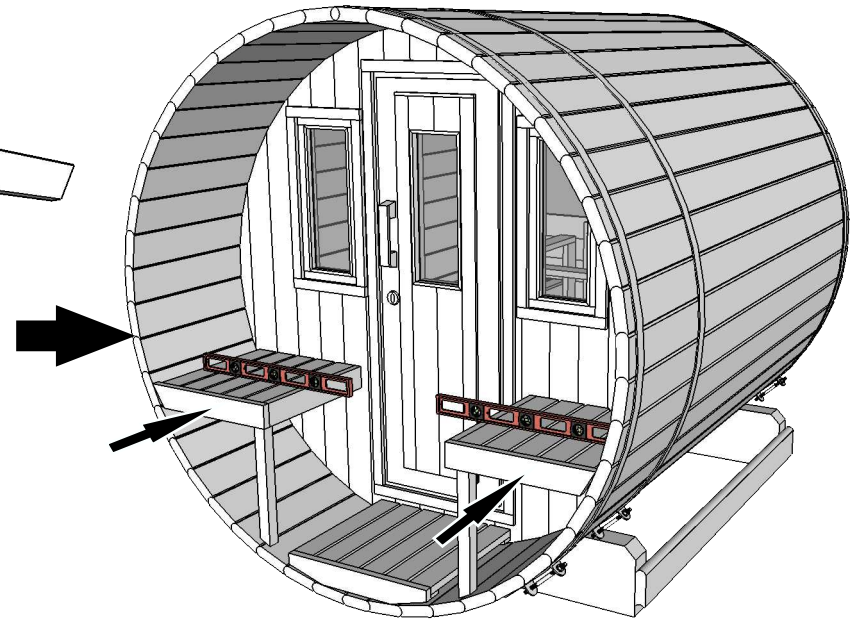
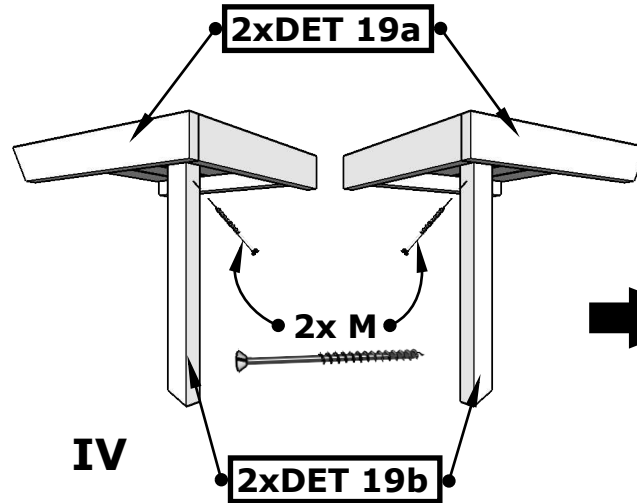


IV

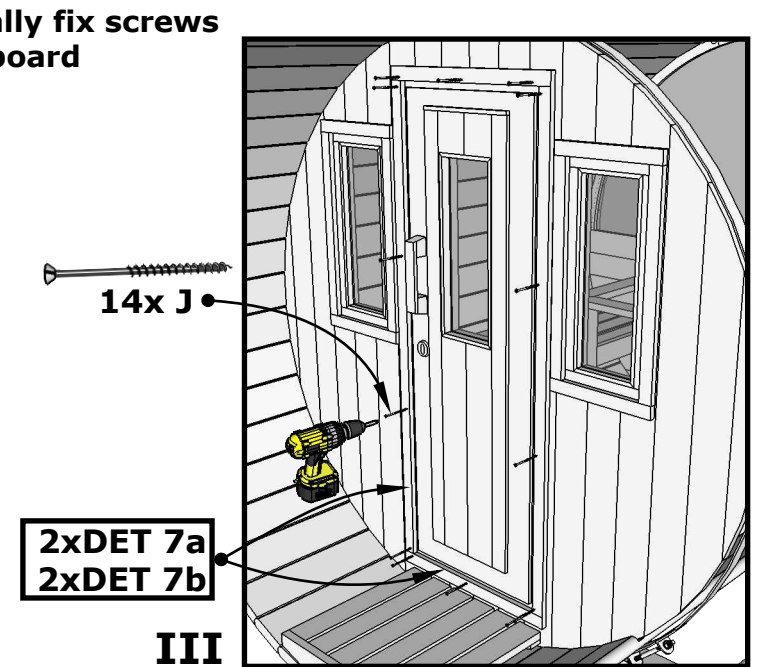
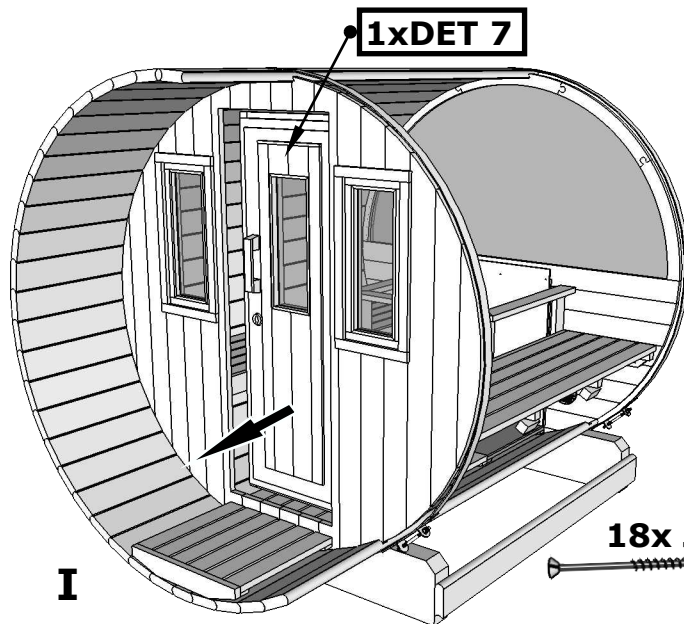
Sauna 235, D 200
(Half-moon glass)



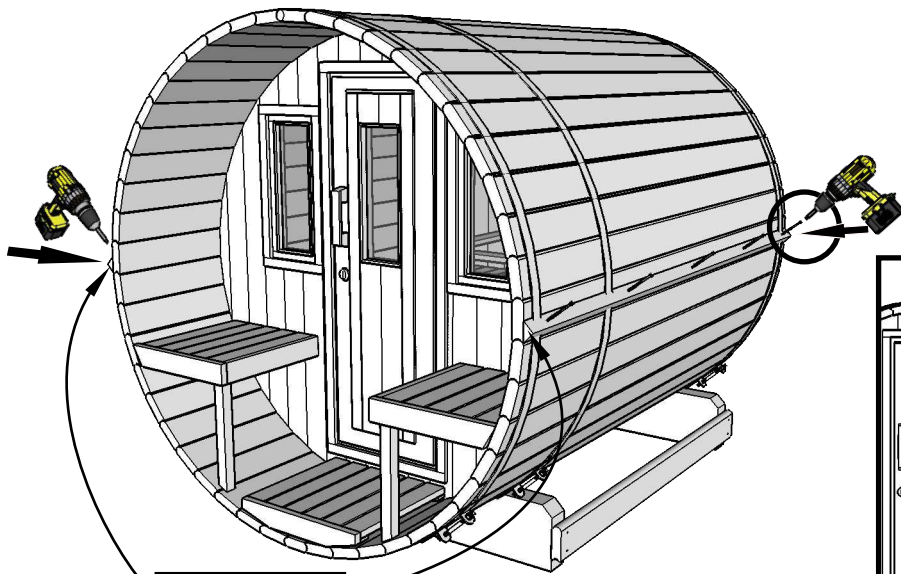
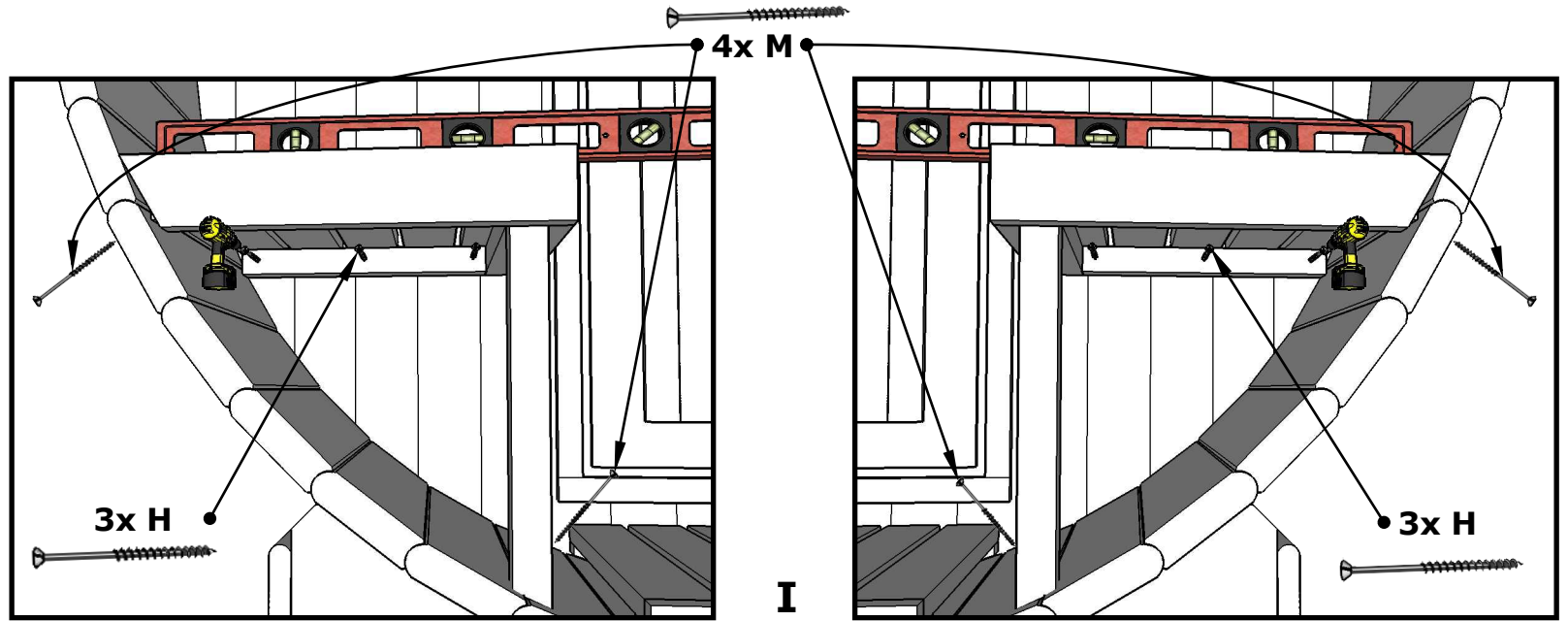
Use waterlevel for door installation



NB! Place door from inside!

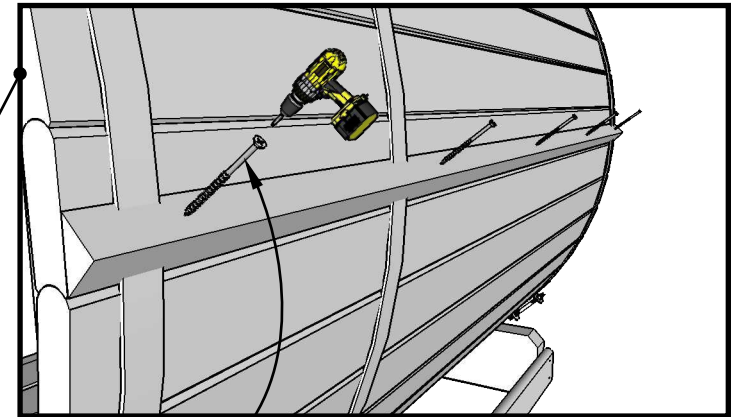
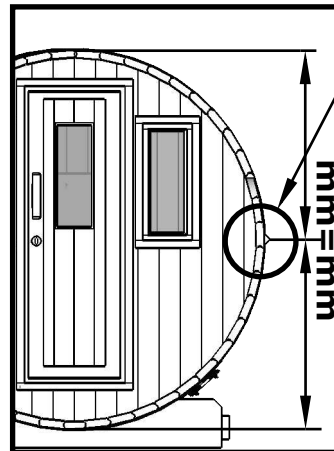


Sauna 235, D 200 (Half-moon glass)



2x DET 21

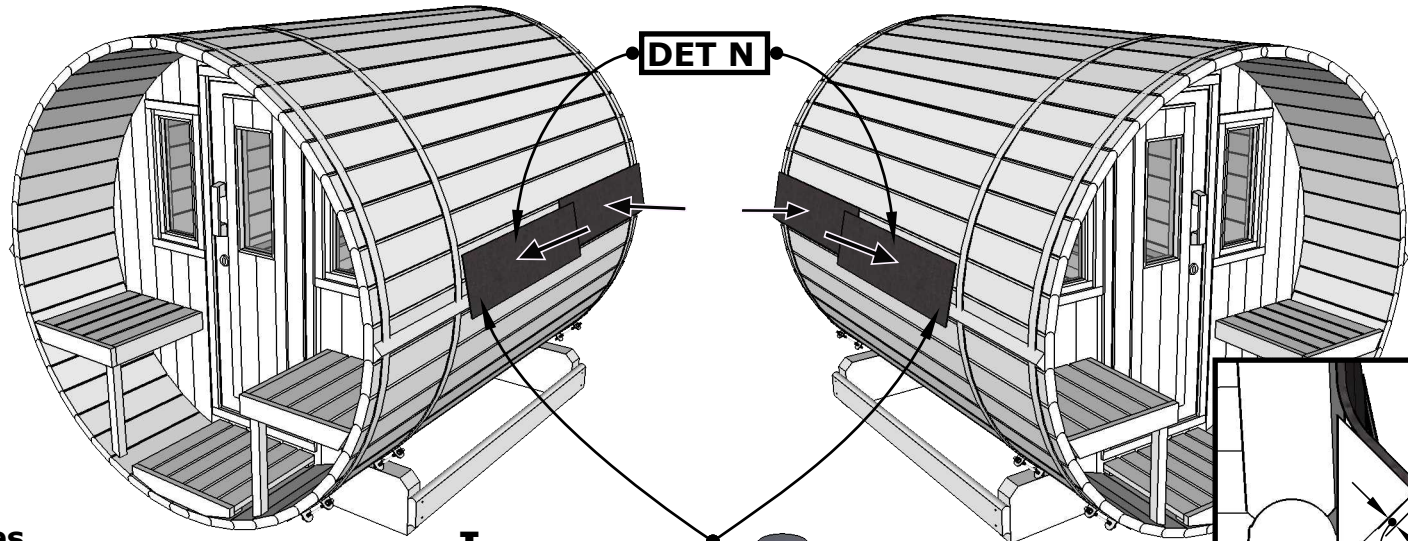
II



10x H

Sauna 235, D 200

(Half-moon glass)

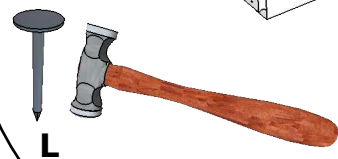


DET N

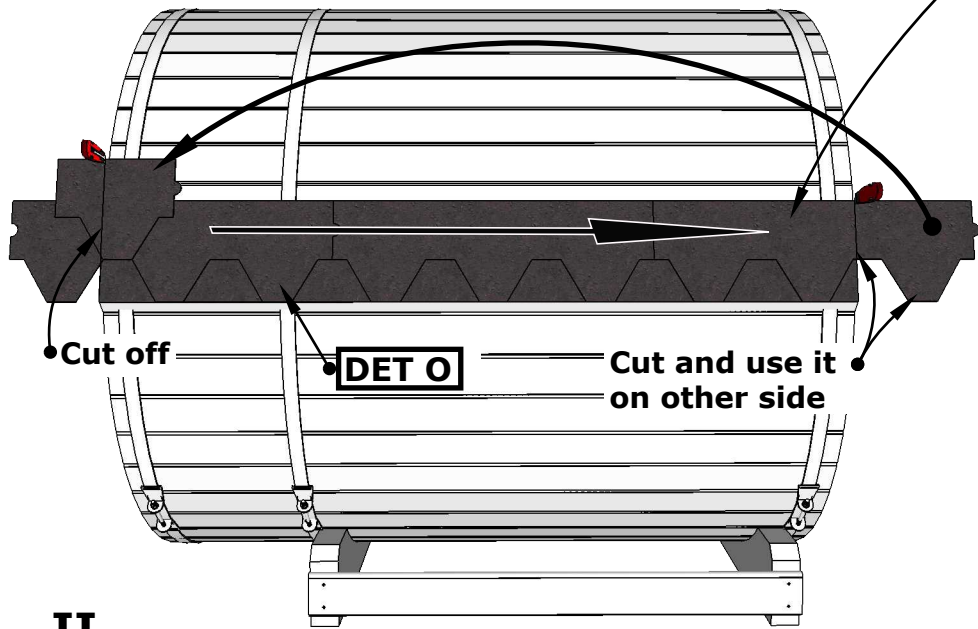
~10mm

Check also roof shingles installation manual inside package.

I



L

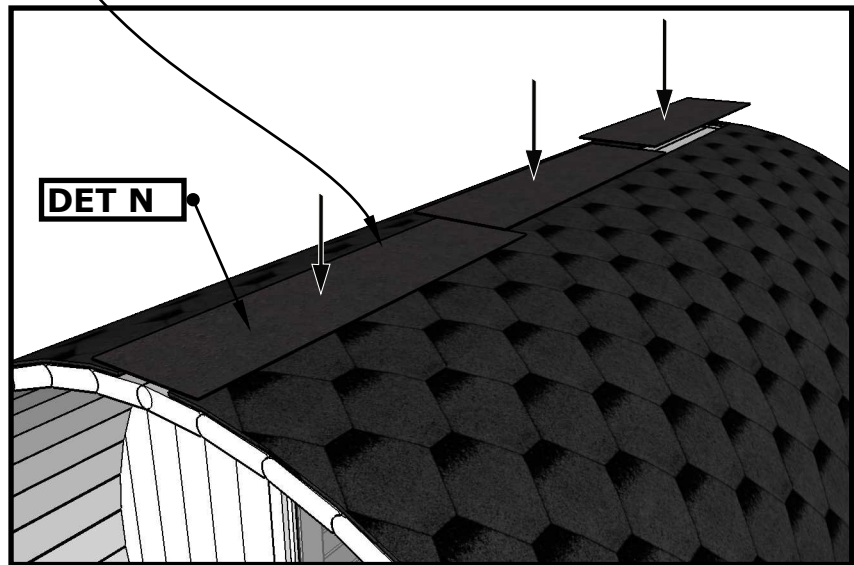


Cut off

DET O

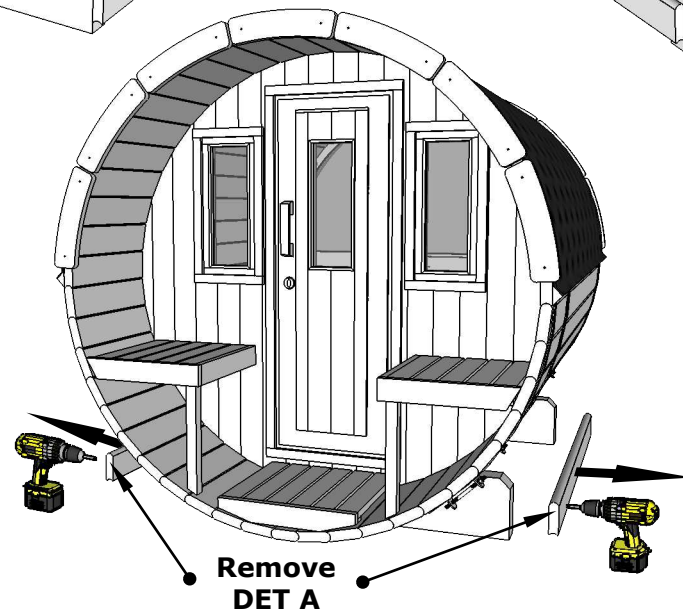
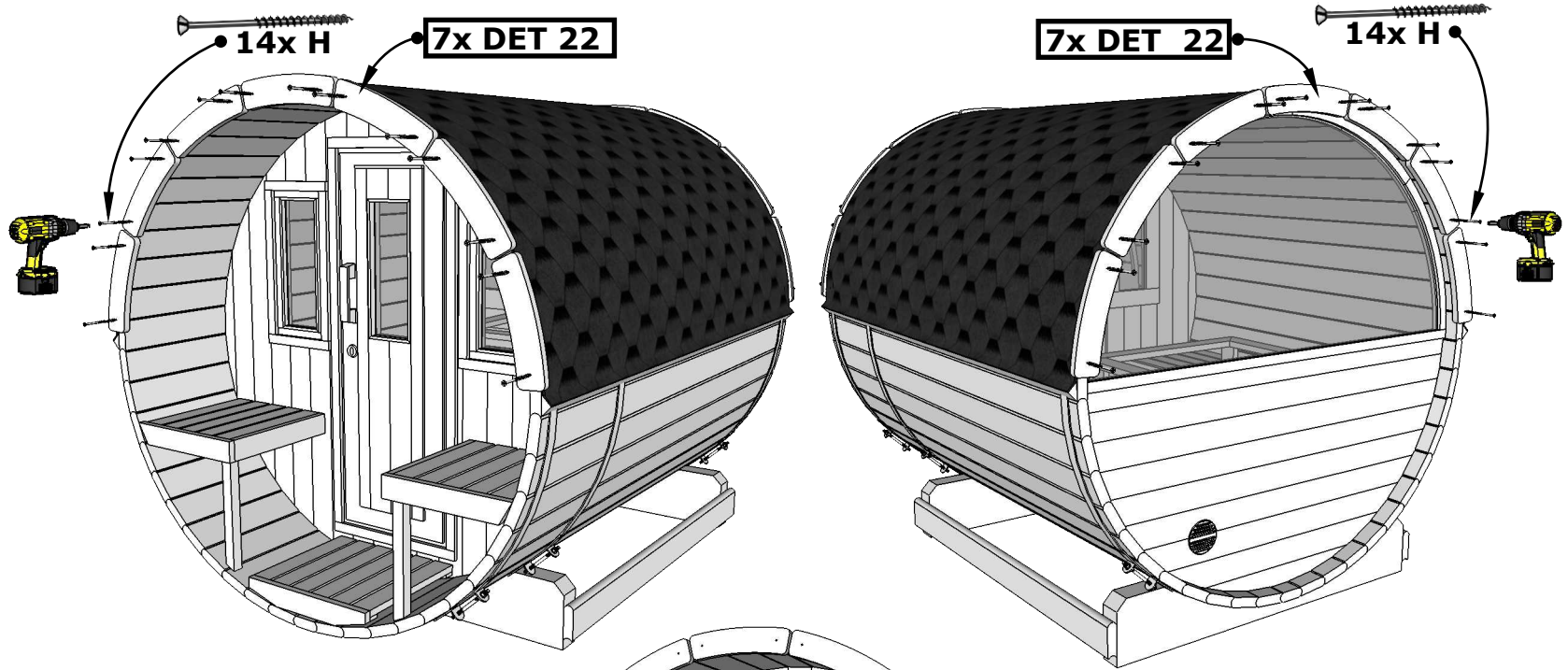
Cut and use it on other side

II



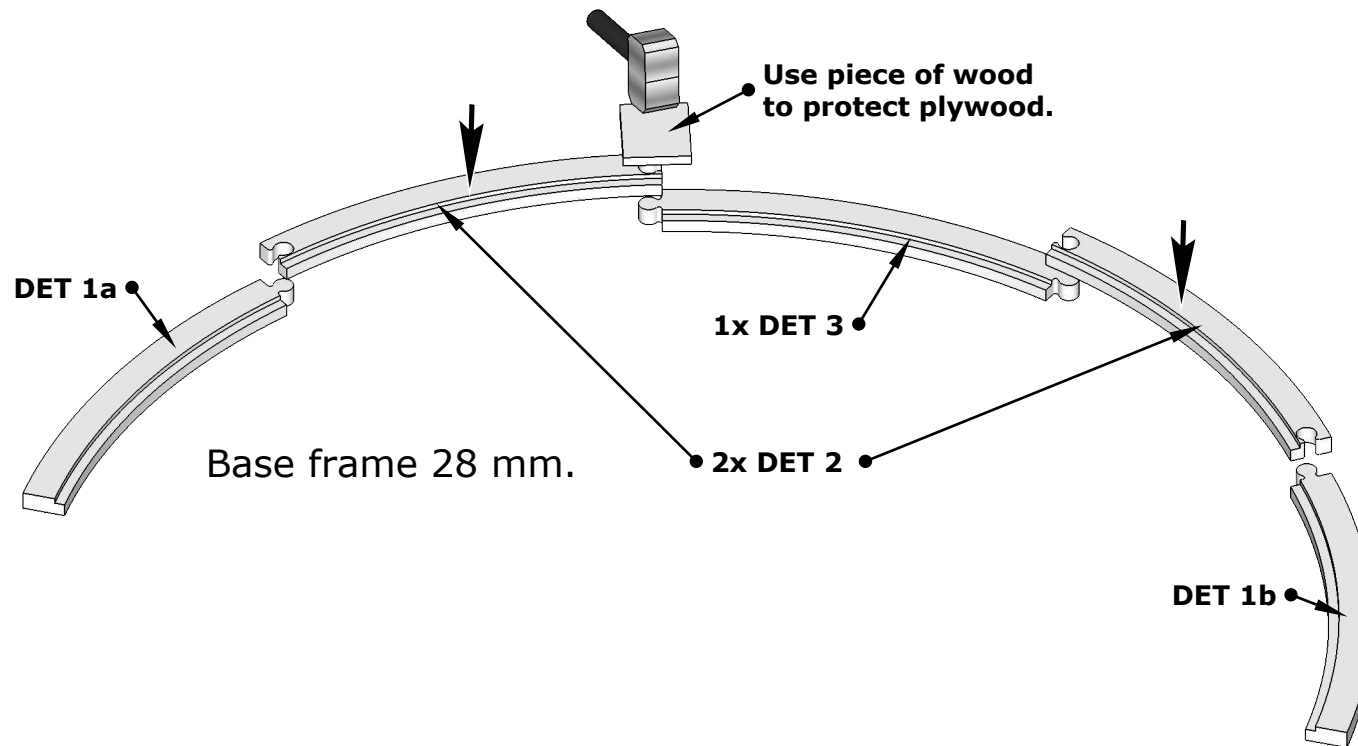
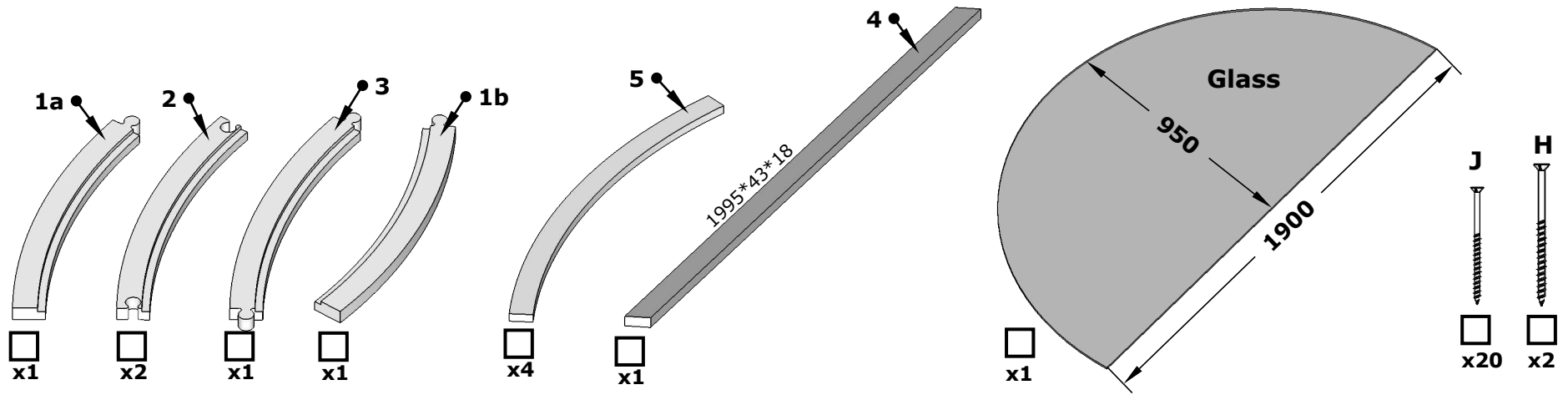
DET N

Sauna 235, D 200
(Half-moon glass)



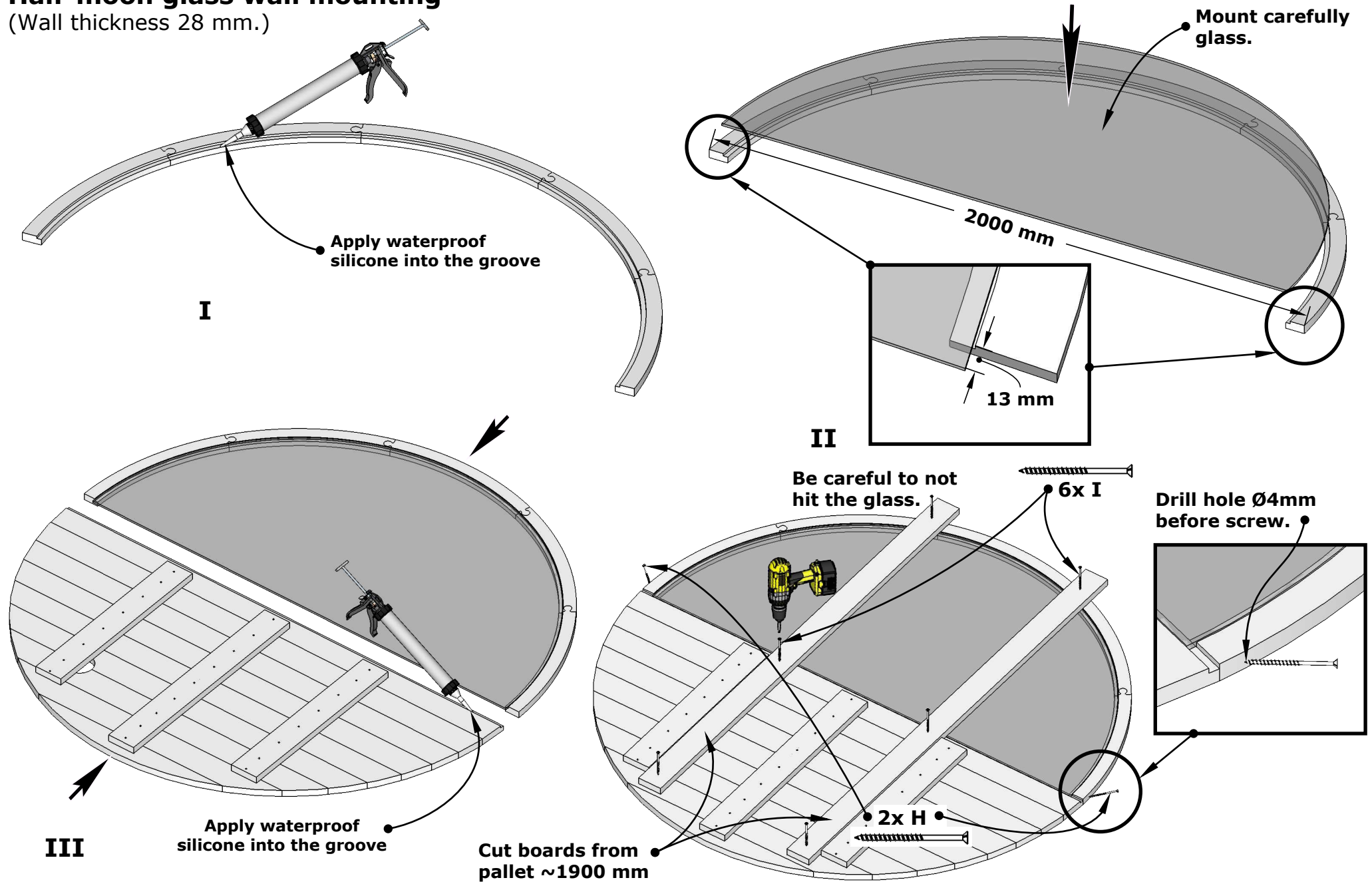
Half-moon glass wall mounting

(Wall thickness 28 mm.)



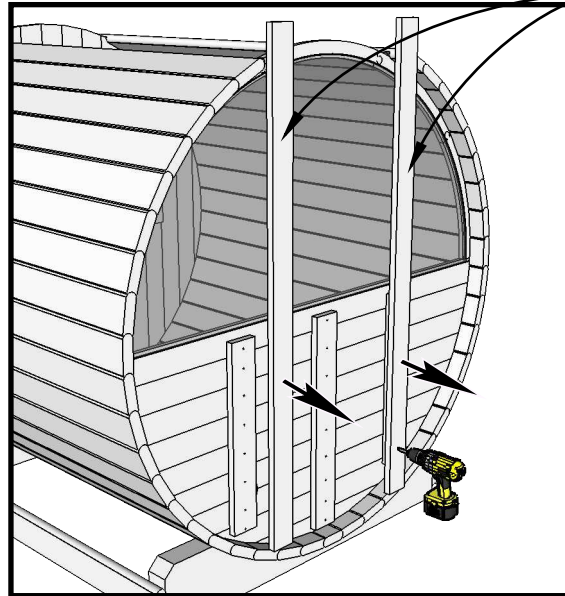
Half-moon glass wall mounting

(Wall thickness 28 mm.)



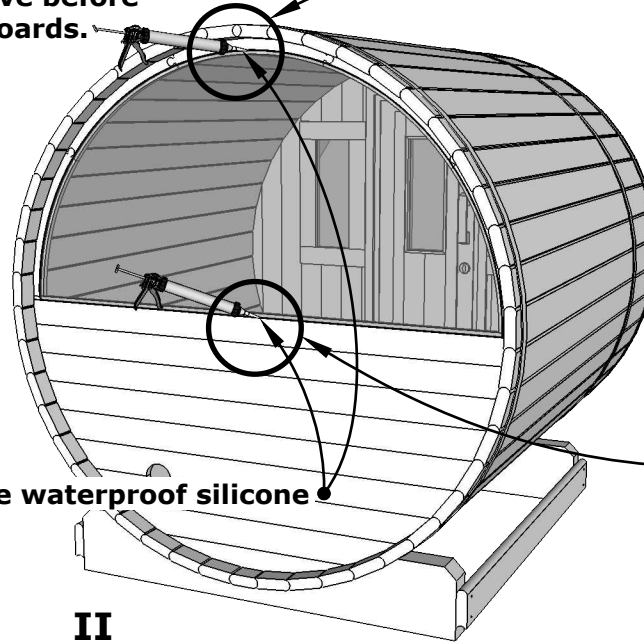
Half-moon glass wall mounting

(Wall thickness 28 mm.)



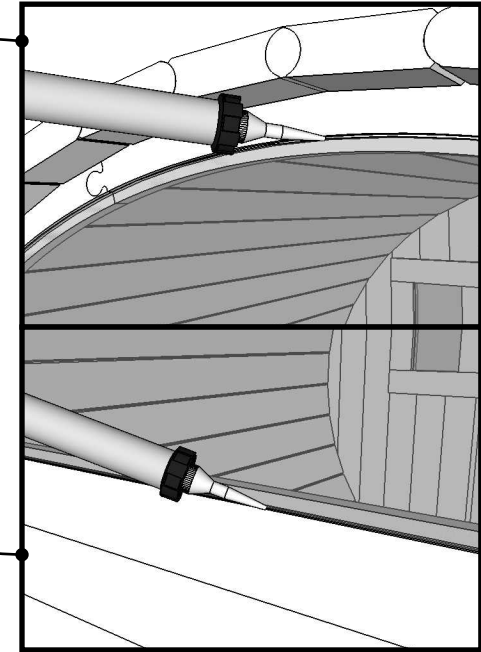
I Please check main installation manual before proceed this step.

Remove before last boards.



Use waterproof silicone

II

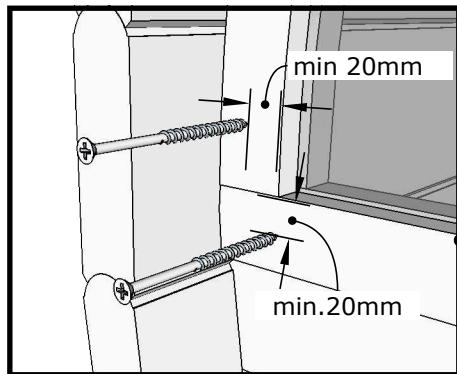


Cut last detail on right size.

Remove any excess silicone with wet cloth.

Be careful! Do not hit the glass!

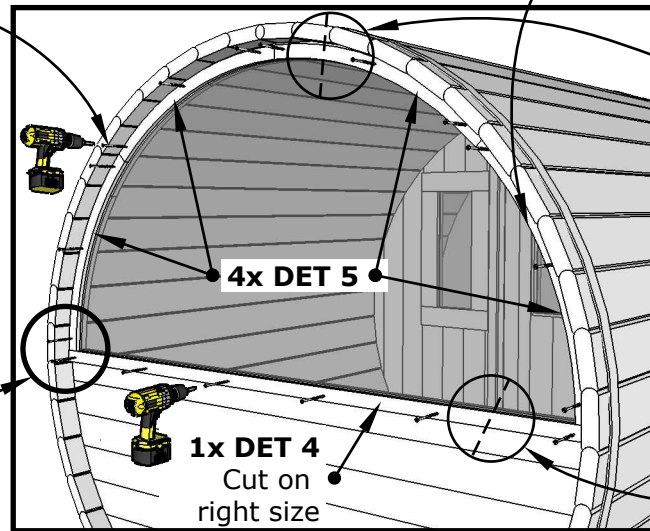
18x J



min 20mm

min.20mm

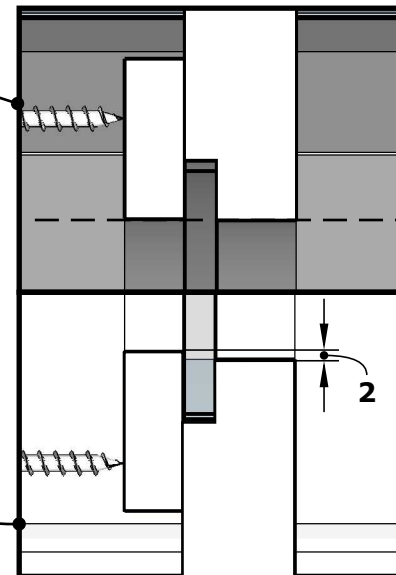
3.



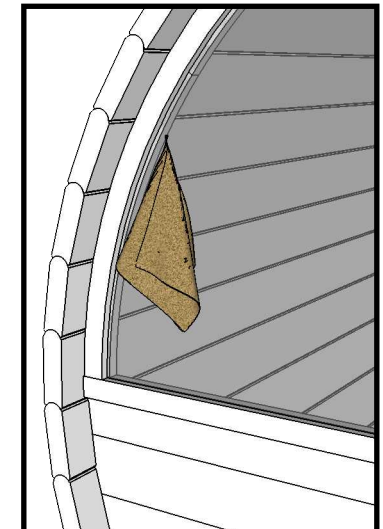
III

4x DET 5

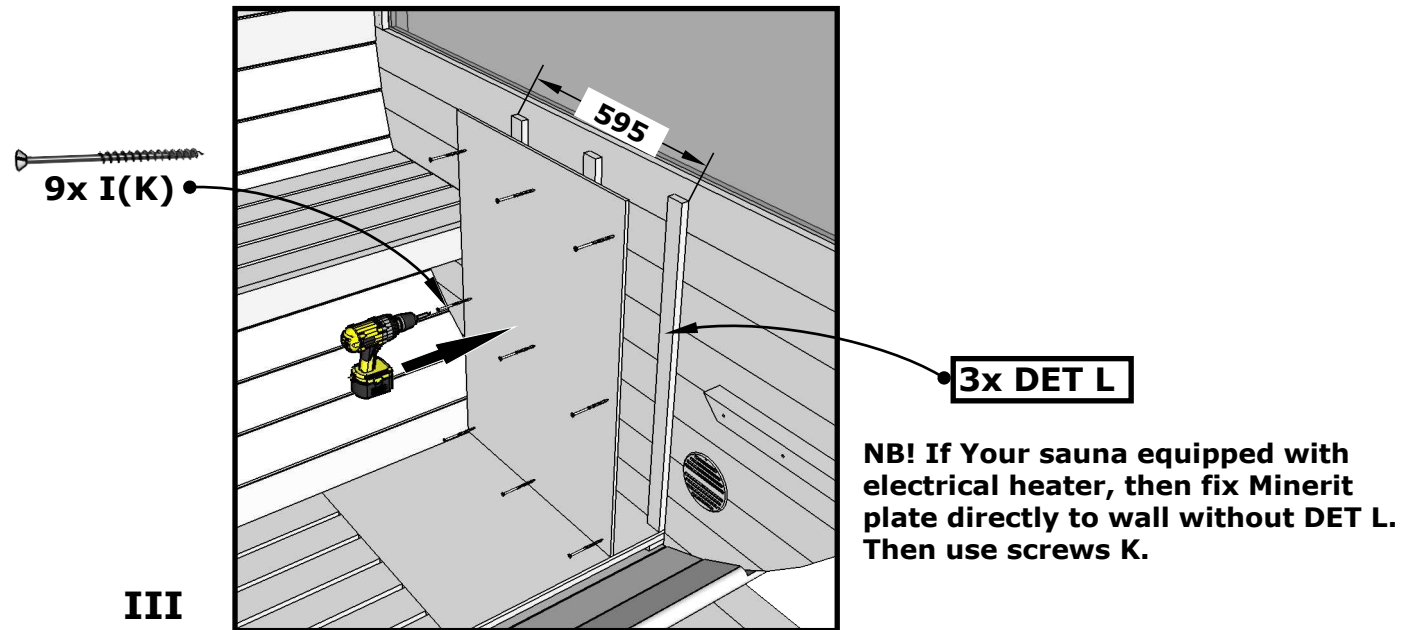
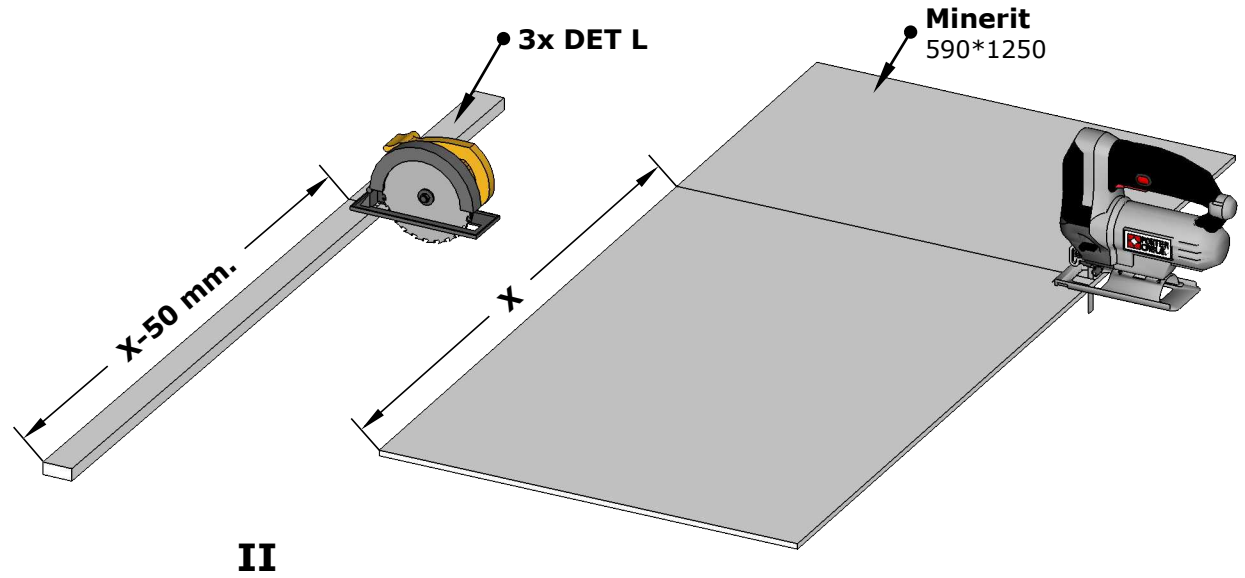
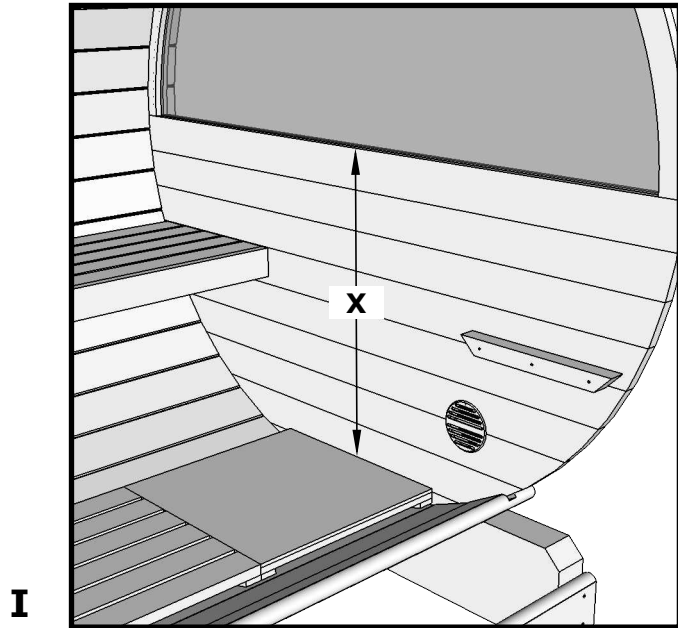
1x DET 4
Cut on right size



IV



Half-moon glass wall mounting (Minerit plate installation)



NB! If Your sauna equipped with electrical heater, then fix Minerit plate directly to wall without DET L. Then use screws K.