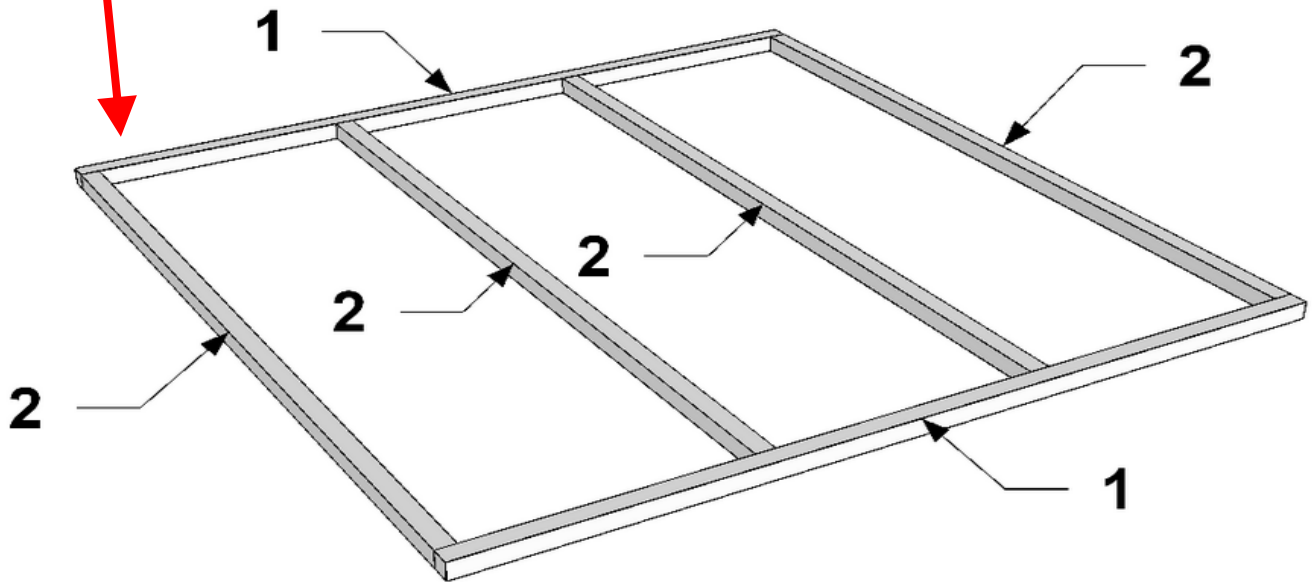
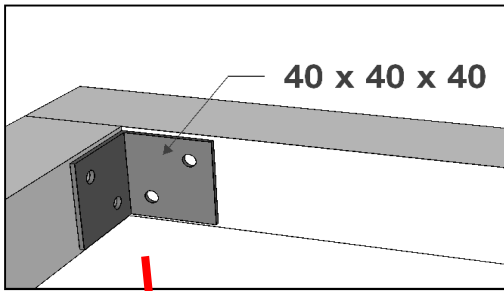


Stall 2 x 2 m. (board roof, with floor)

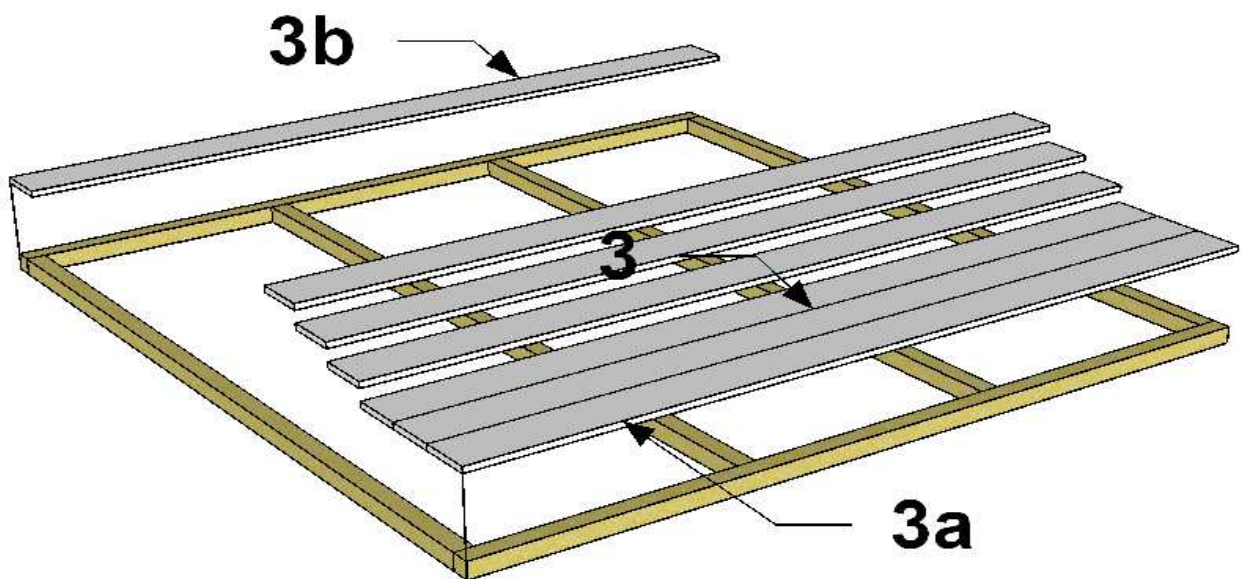
Assembly instruction

1/7



1 + **2**

40 x 40 x 40	8
3,5 x 40	48

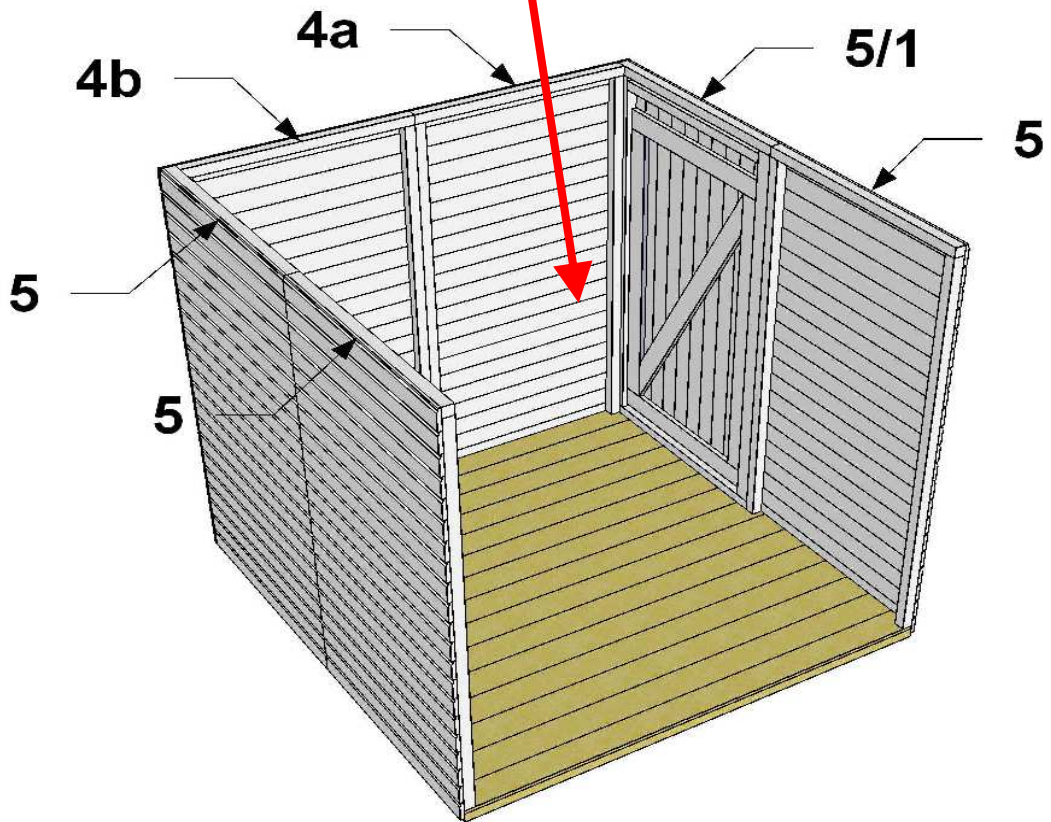
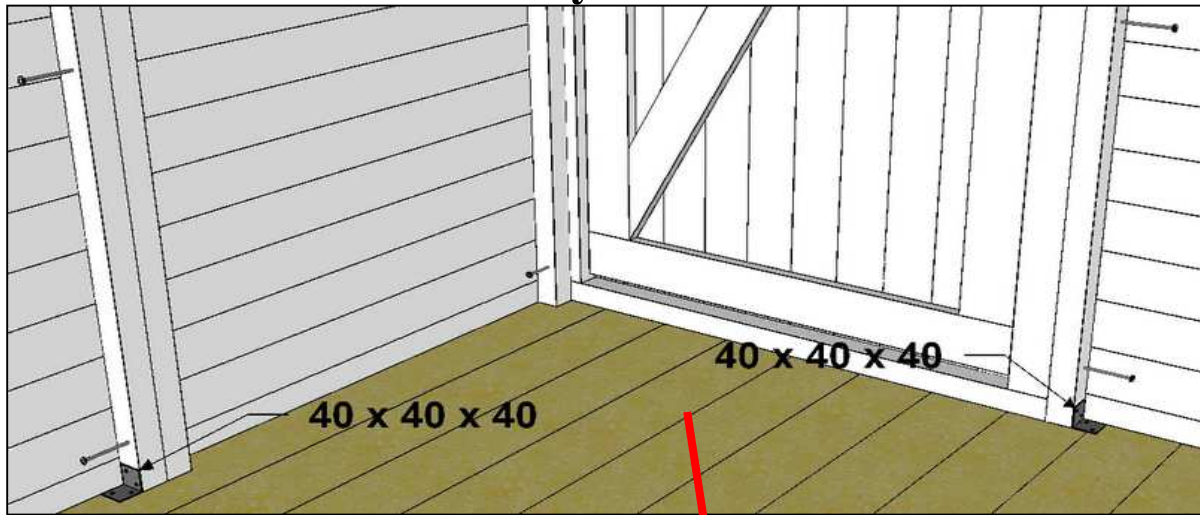


3a + **3** + **3b** **2 x 50** **100**

Stall 2 x 2 m. (board roof, with floor)

Assembly instruction

2/7



5/1 + **4a** + **4b** + **5**

4,5 x 80	15
-----------------	-----------

+ **5** + **5**

5/1 **5** **4a** **4b**

40 x 40 x 40	4
---------------------	----------

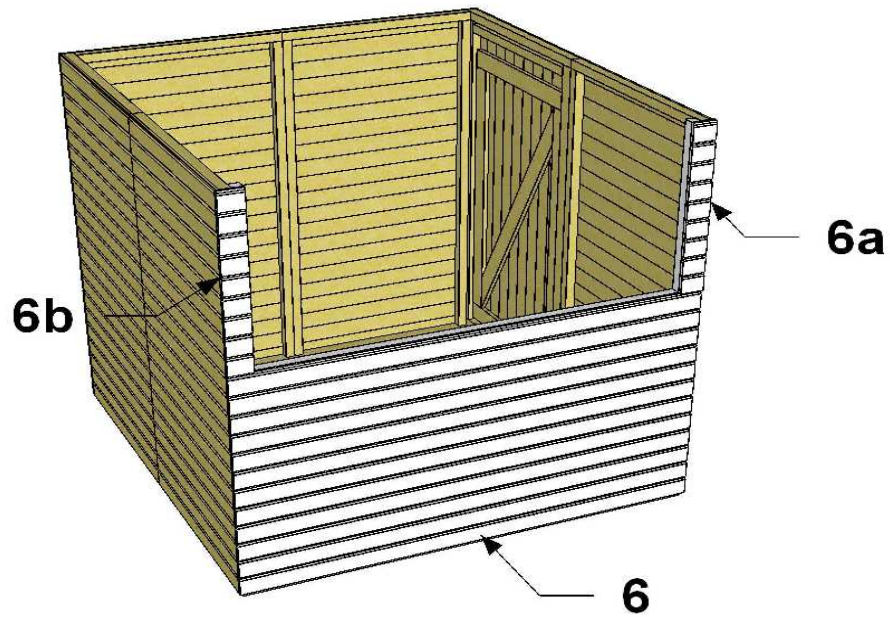
5 **5**

3,5 x 40	24
-----------------	-----------

Stall 2 x 2 m. (board roof, with floor)

Assembly instruction

3/7



+ **6**

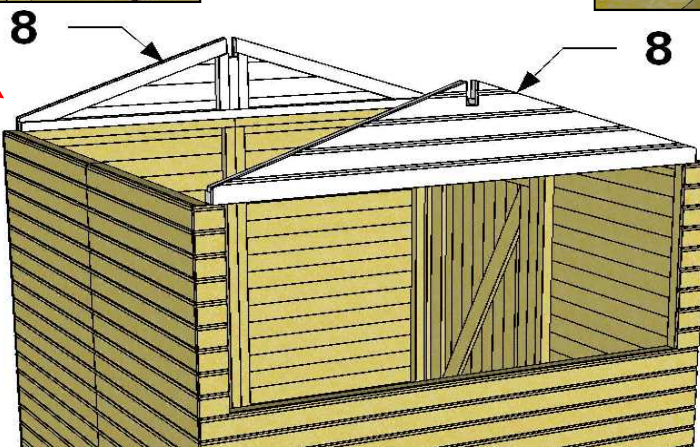
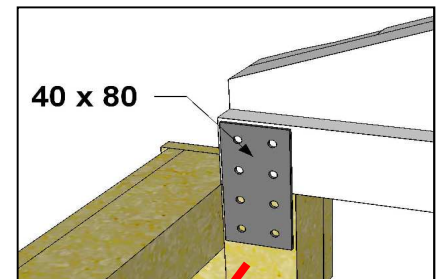
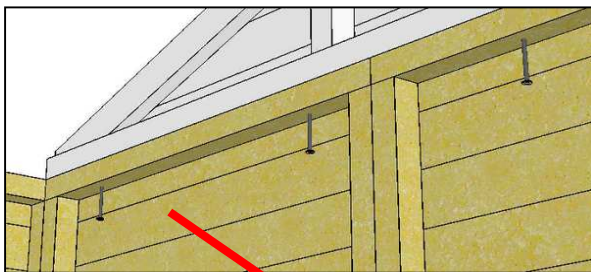
6 **6**

+ **6a** + **6b**

4,5 x 80	6
----------	---

40 x 40 x 40	1
3,5 x 40	6

4,5 x 80	6
----------	---



+ **8** (back)

+ **8** (front)

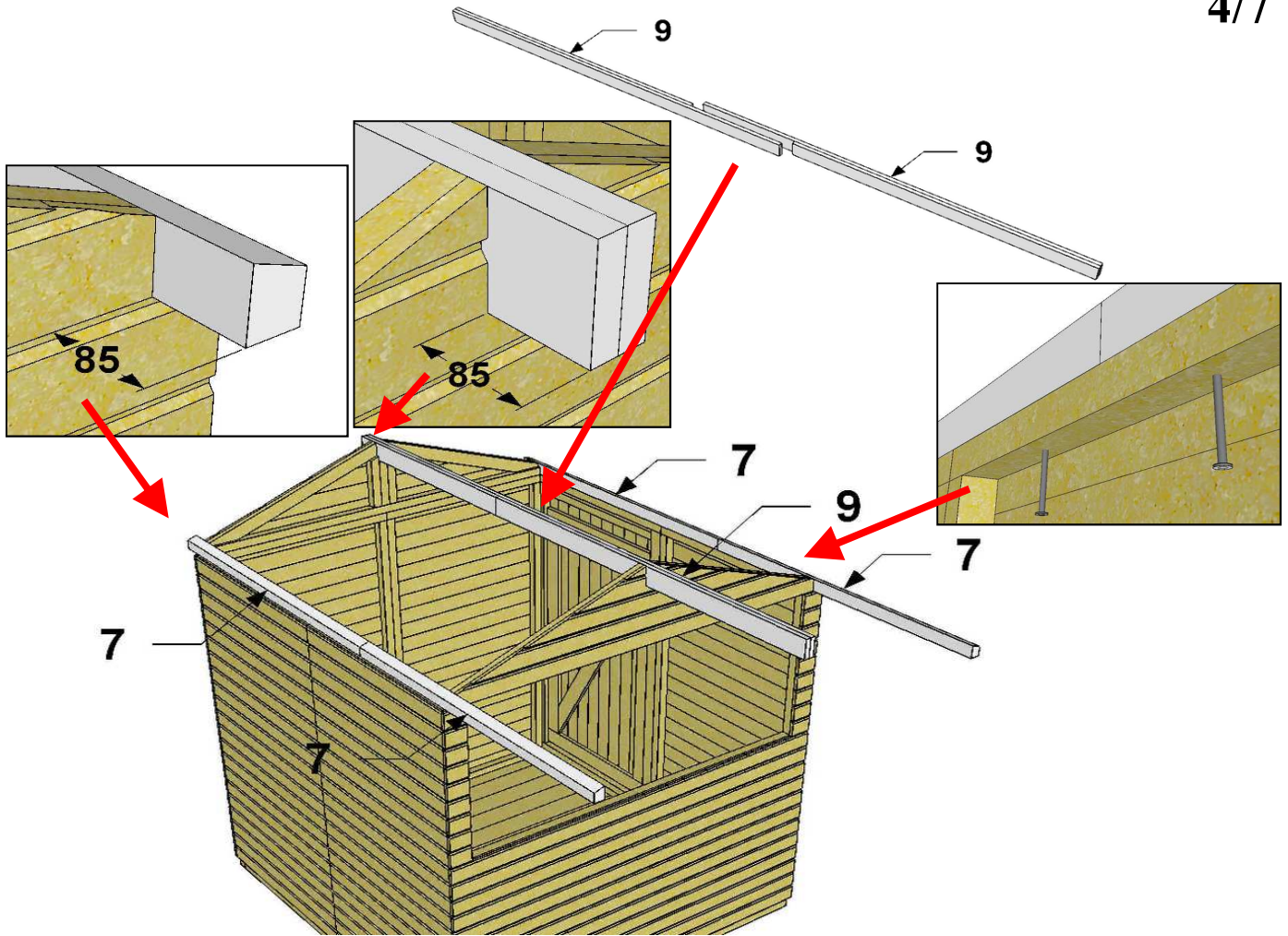
4,5 x 80	4
----------	---

plate 40 x 80	2
3,5 x 40	16

Stall 2 x 2 m. (board roof, with floor)

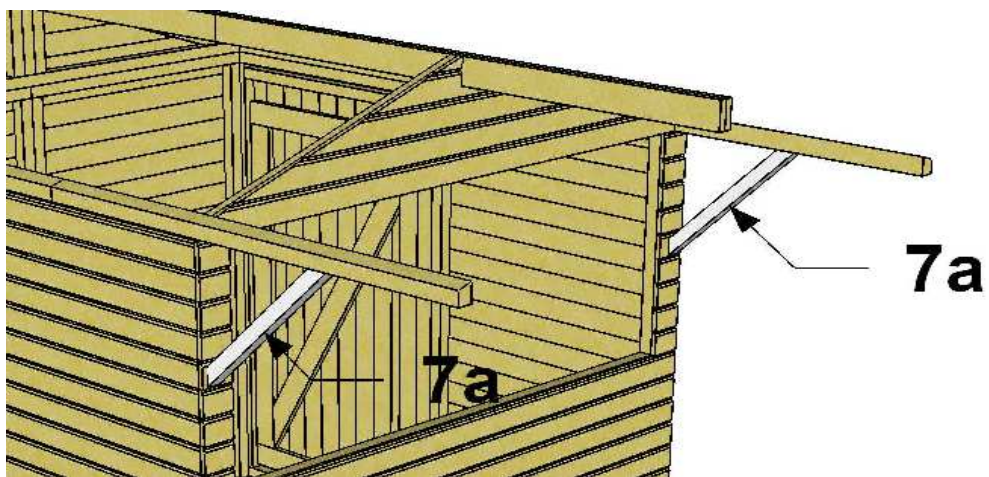
Assembly instruction

4/7



9	+	9
	+	9
	+	7

3,5 x 40	8
4,5 x 80	2
4,5 x 80	10

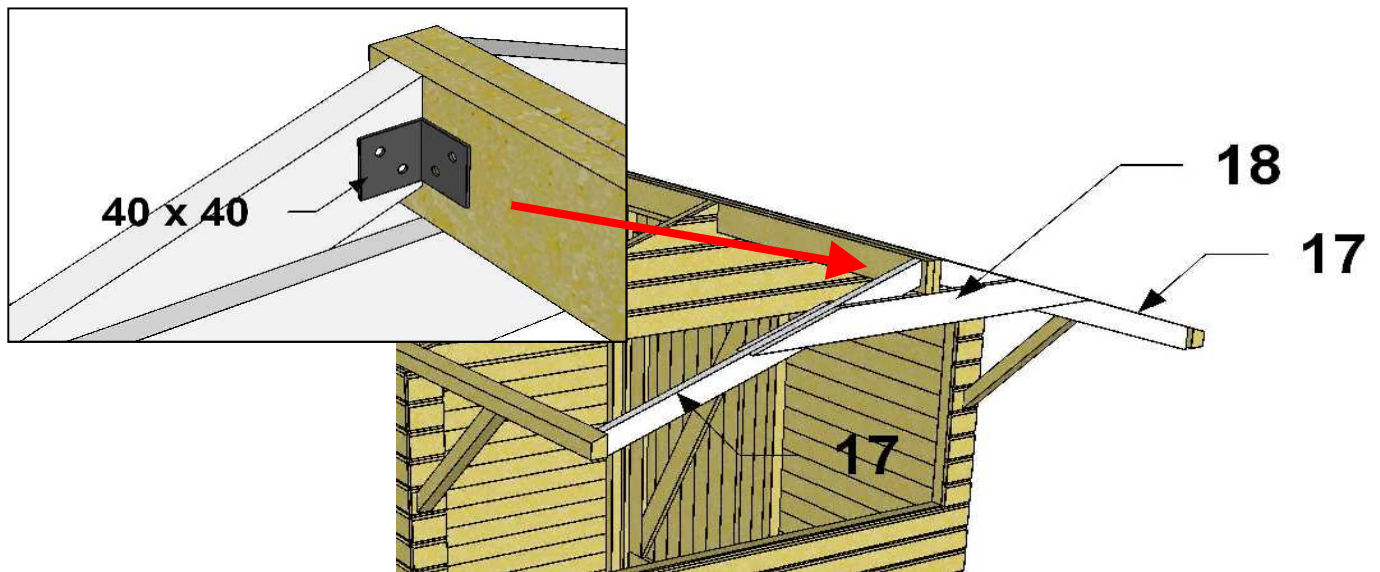


+	7a
---	-----------

4,5 x 80	4
----------	---

Stall 2 x 2 m. (board roof, with floor) Assembly instruction

5/7

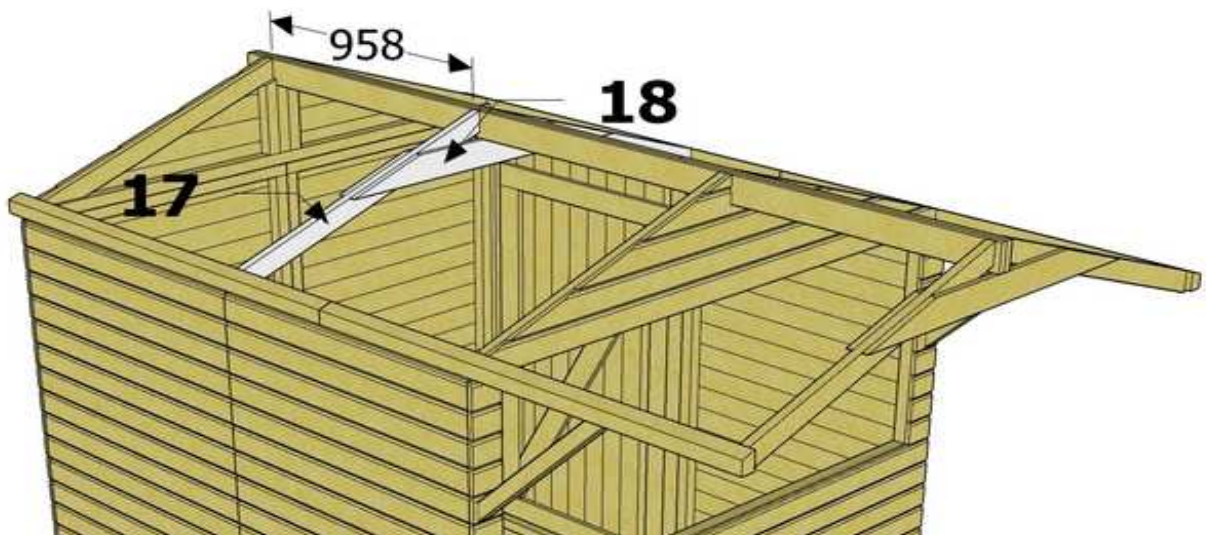


+ **17**

+ **18**

40 x 40 x 40	4
3,5 x 30	24

3,5 x 40	12
----------	----



+ **17**

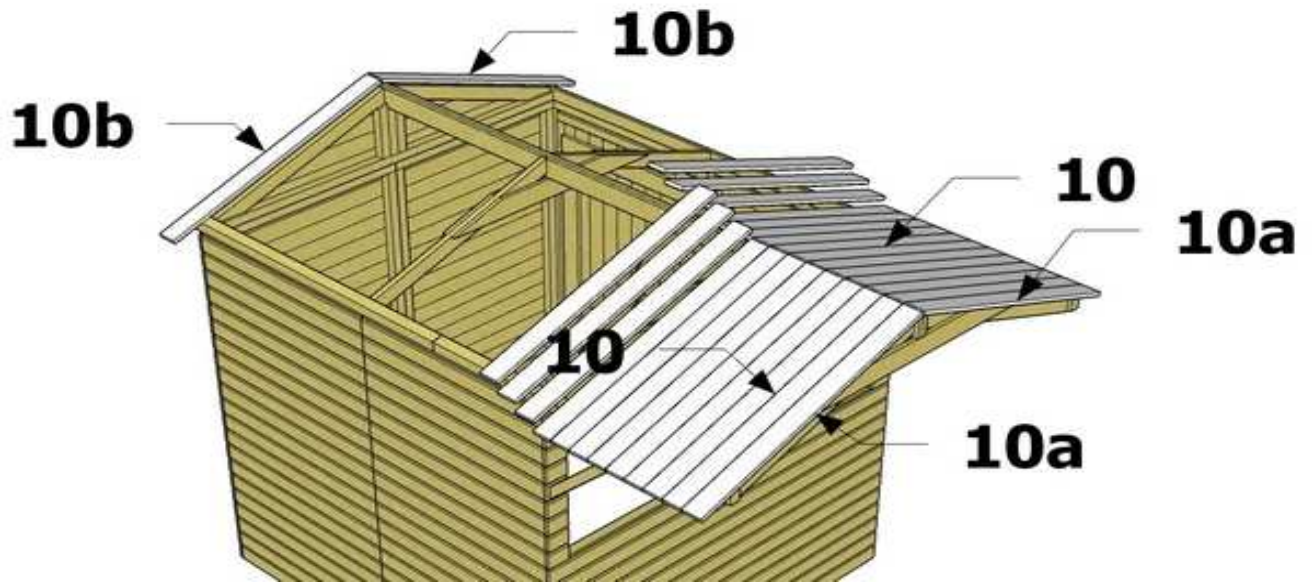
+ **18**

40 x 40 x 40	4
3,5 x 30	24

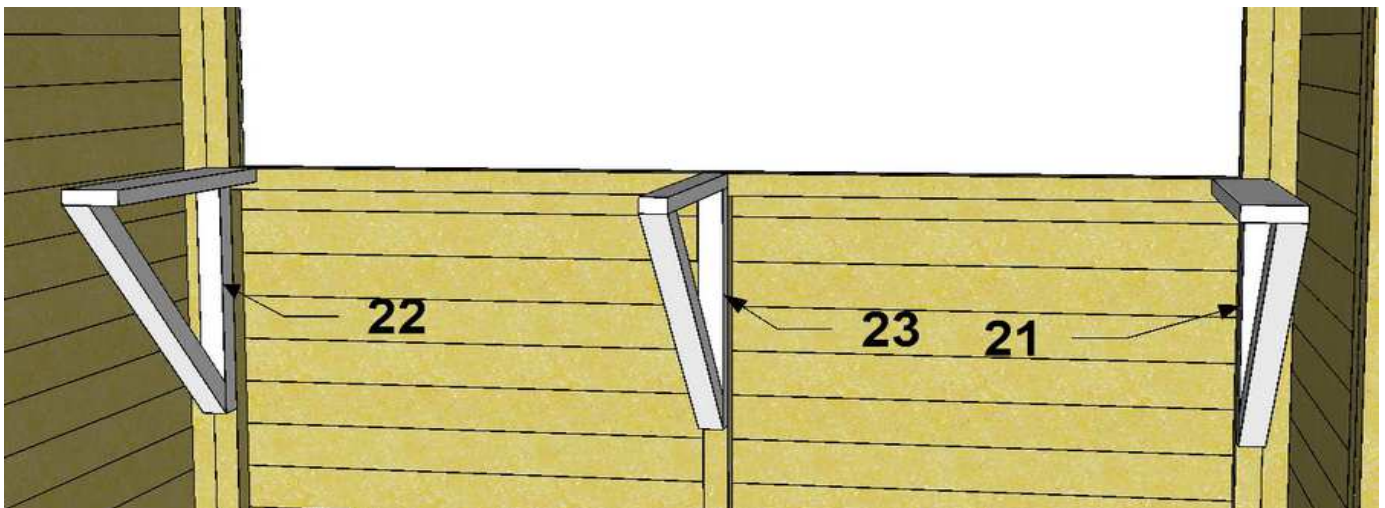
3,5 x 40	12
----------	----

Stall 2 x 2 m. (board roof, with floor)
Assembly instruction

6/7



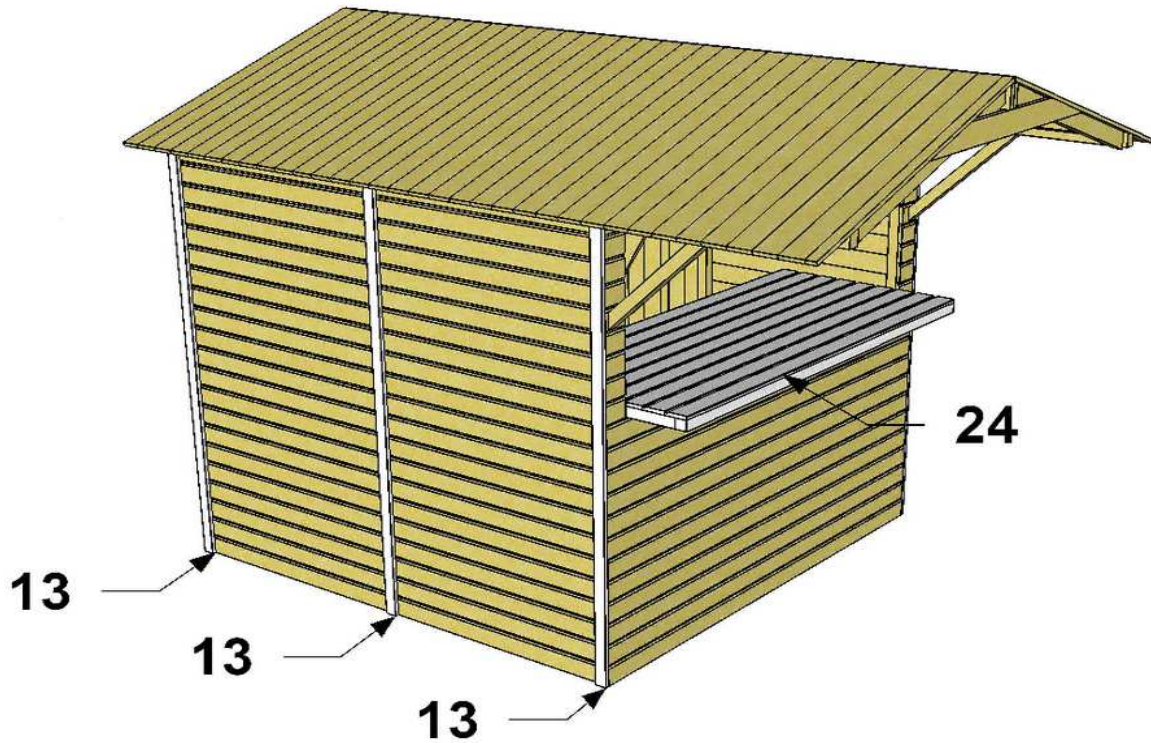
10a	10b	3,5 x 40	32
	10	2 x 5	200



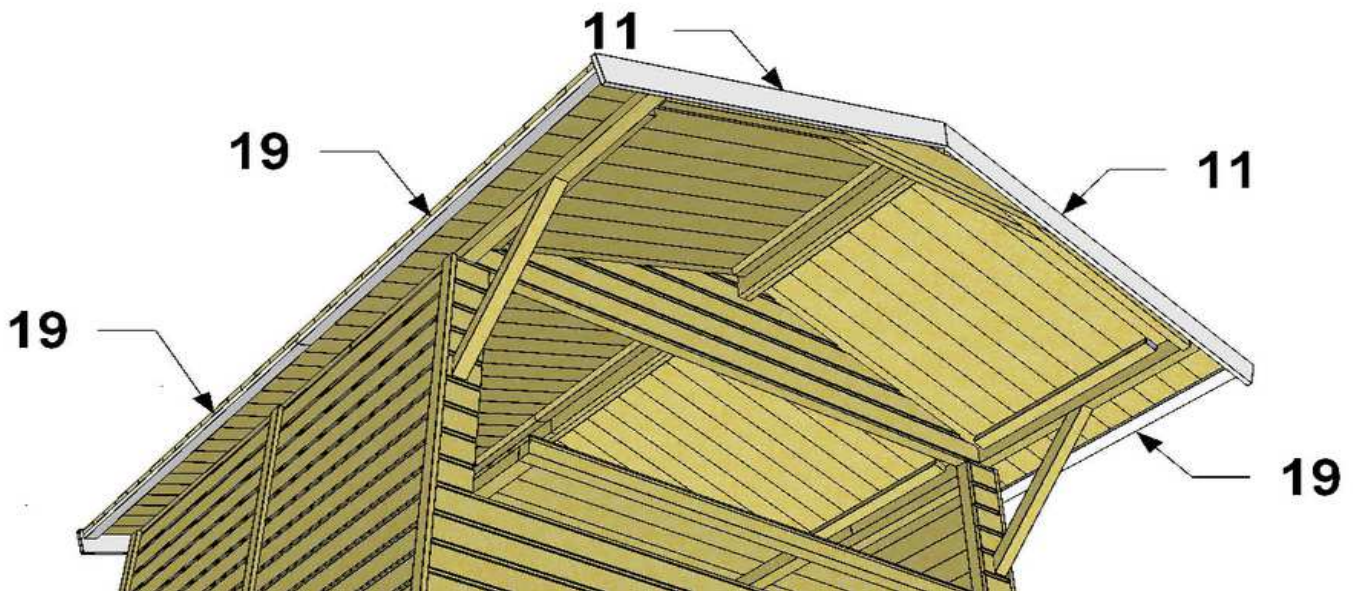
+	21	+	22	+	23	4,5 x 80	6
----------	-----------	----------	-----------	----------	-----------	-----------------	----------

Stall 2 x 2 m. (board roof, with floor)

Assembly instruction



+	13	3,5 x 40	27
+	24 (20)	3,5 x 40	32



+	11	3,5 x 40	12
+	19	3,5 x 30	24
+	16	3,5 x 40	4
		3,5 x 30	6