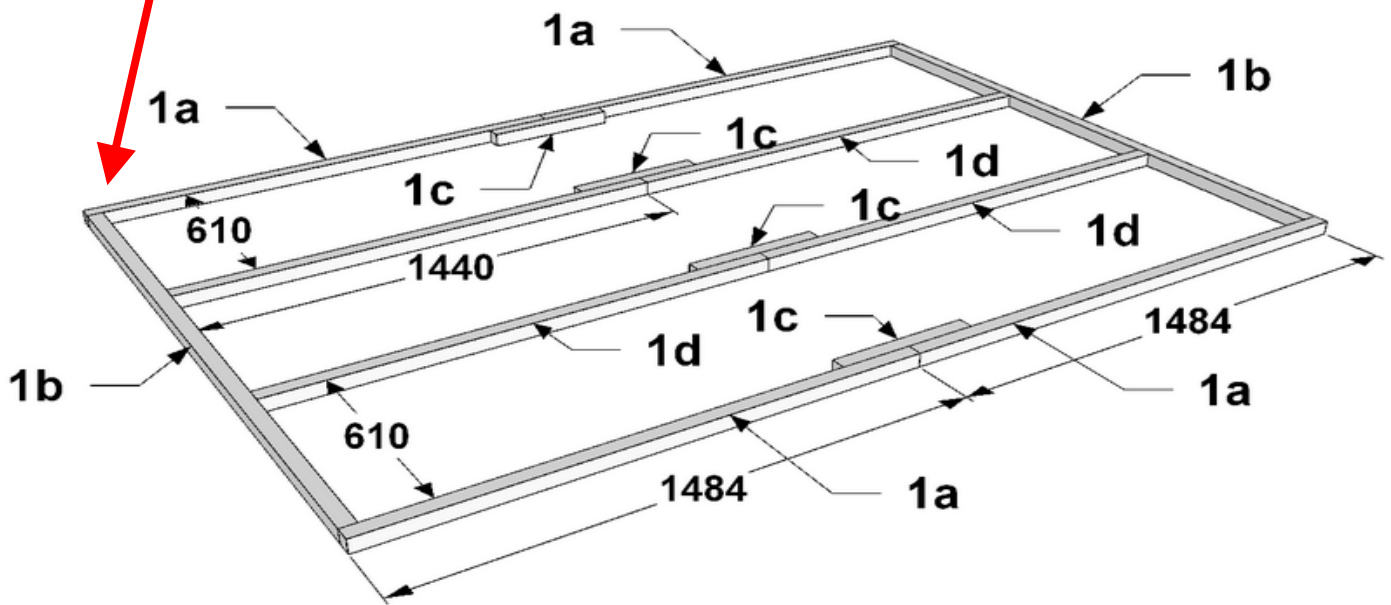
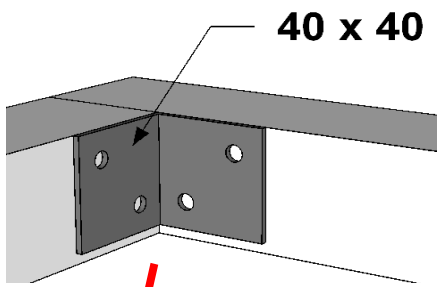


# Stall 3 x 2 m. (board roof)

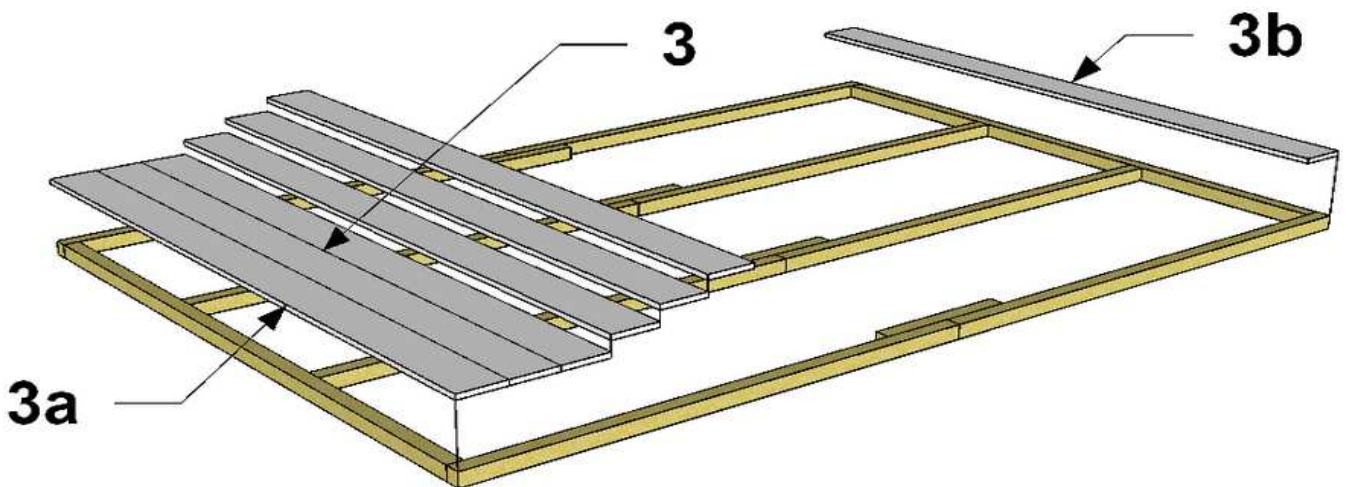
## Assembly instruction



<b>1a/d</b>	+	<b>1a/d</b>	(1c)	<b>4,5 x 80</b>	<b>16</b>
-------------	---	-------------	------	-----------------	-----------

<b>1b</b>	+	<b>1a</b>	+	<b>1d</b>
-----------	---	-----------	---	-----------

<b>40 x 40 x 40</b>	<b>8</b>
<b>3,5 x 40</b>	<b>48</b>

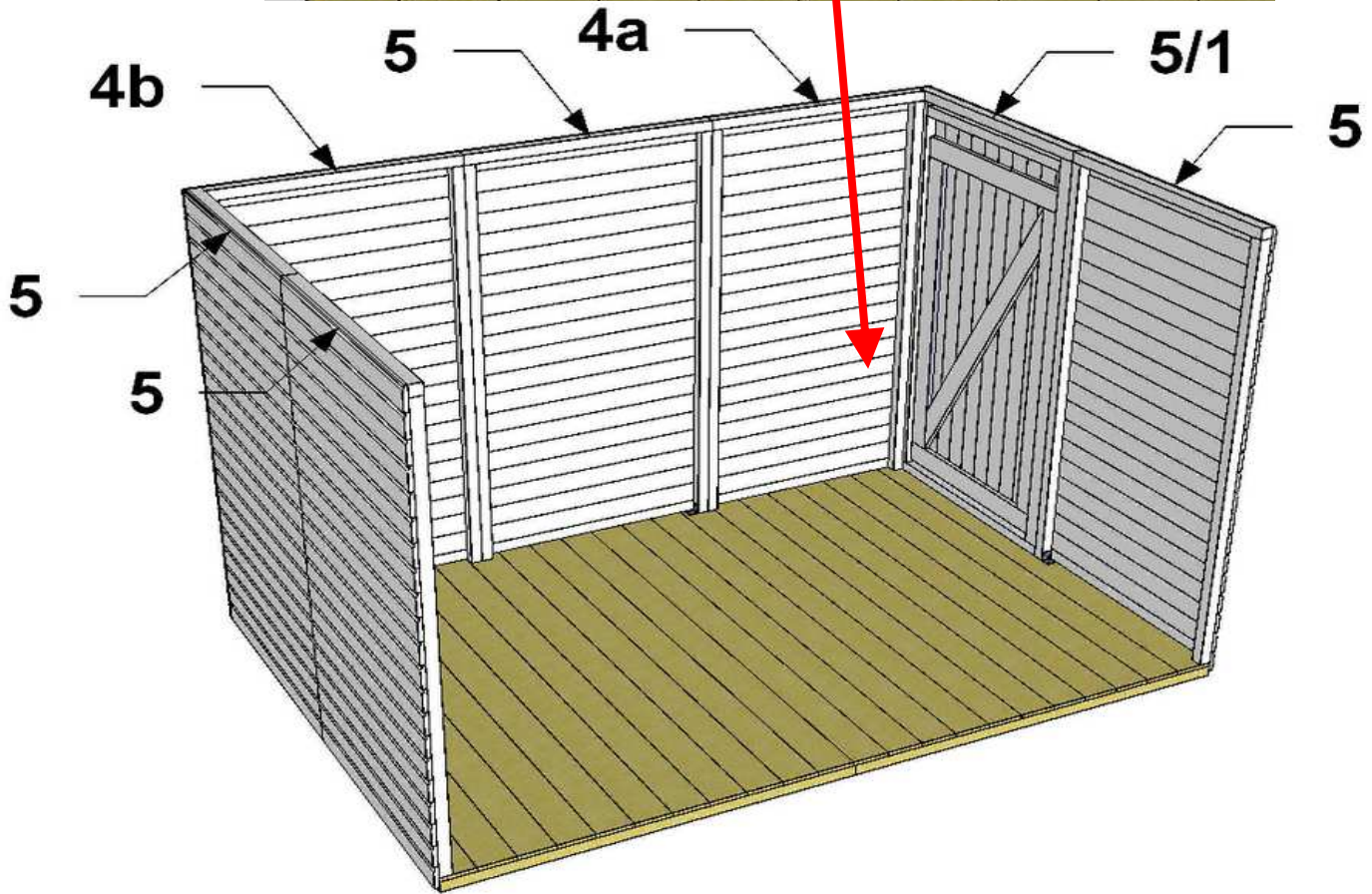
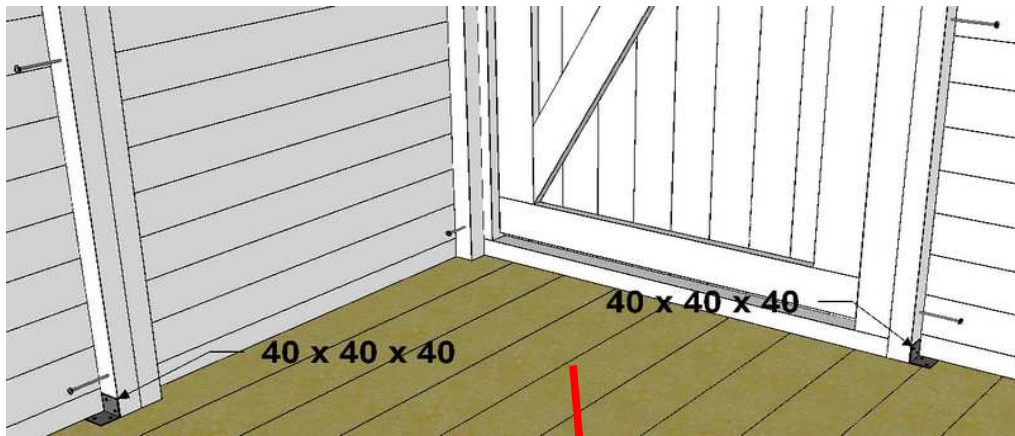


<b>3a</b>	+	<b>3</b>	+	<b>3b</b>	<b>2,5 x 50</b>	<b>100</b>
-----------	---	----------	---	-----------	-----------------	------------

# Stall 3 x 2 m. (board roof)

## Assembly instruction

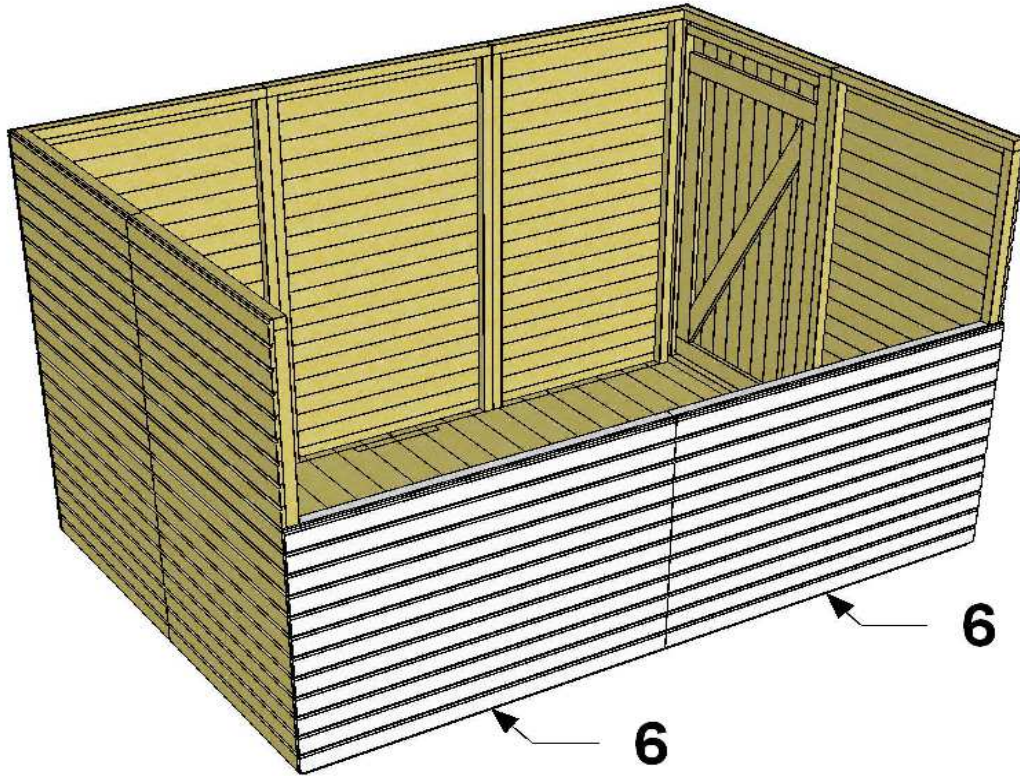
2/9



<b>5/1</b>	+	<b>4a</b>	+	<b>5</b>	+	<b>4b</b>		
		<b>5</b>	+	<b>5</b>	+	<b>5</b>		
<b>5/1</b>		<b>5</b>		<b>4a</b>		<b>5</b>	<b>4,5 x 80</b>	<b>18</b>
<b>5</b>		<b>4b</b>		<b>5</b>		<b>5</b>	<b>40 x 40 x 40</b>	<b>4</b>
							<b>3,5 x 40</b>	<b>24</b>

# Stall 3 x 2 m. (board roof)

## Assembly instruction



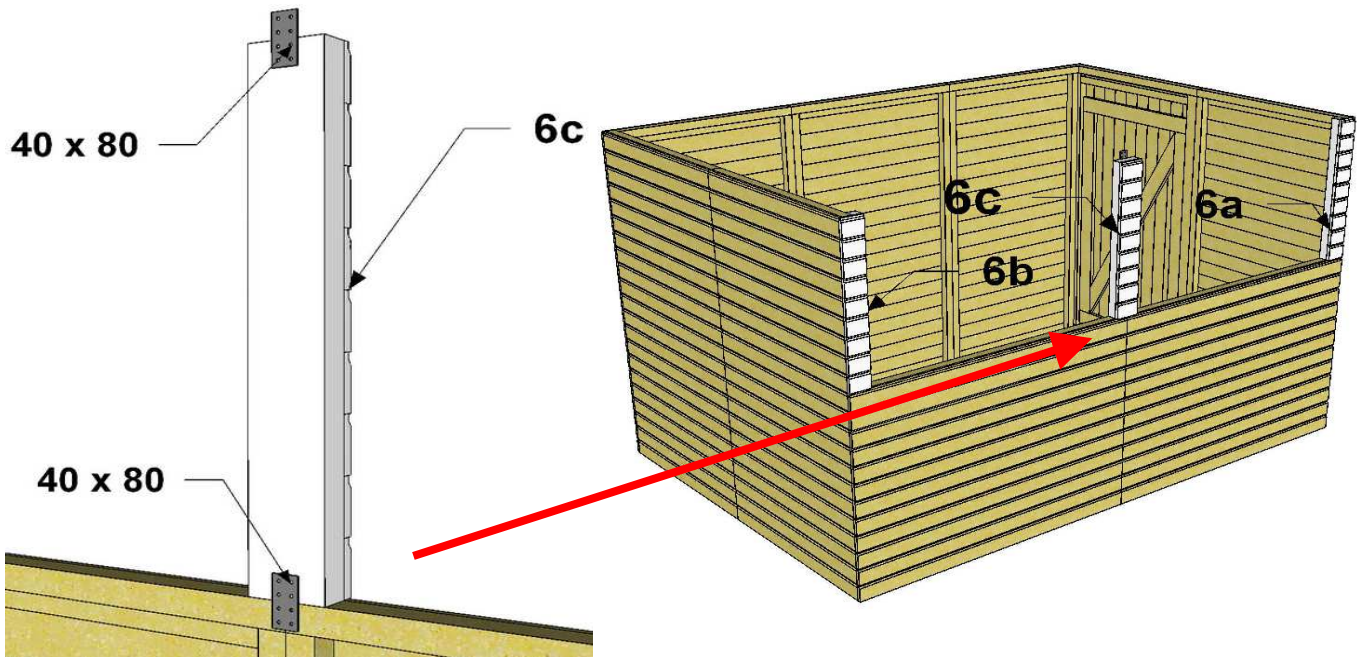
+ **6** + **6**

**6** **6**

4,5 x 80	9
----------	---

40 x 40 x 40	2
--------------	---

3,5 x 40	12
----------	----



+ **6a** + **6b**

+ **6c**

4,5 x 80	6
----------	---

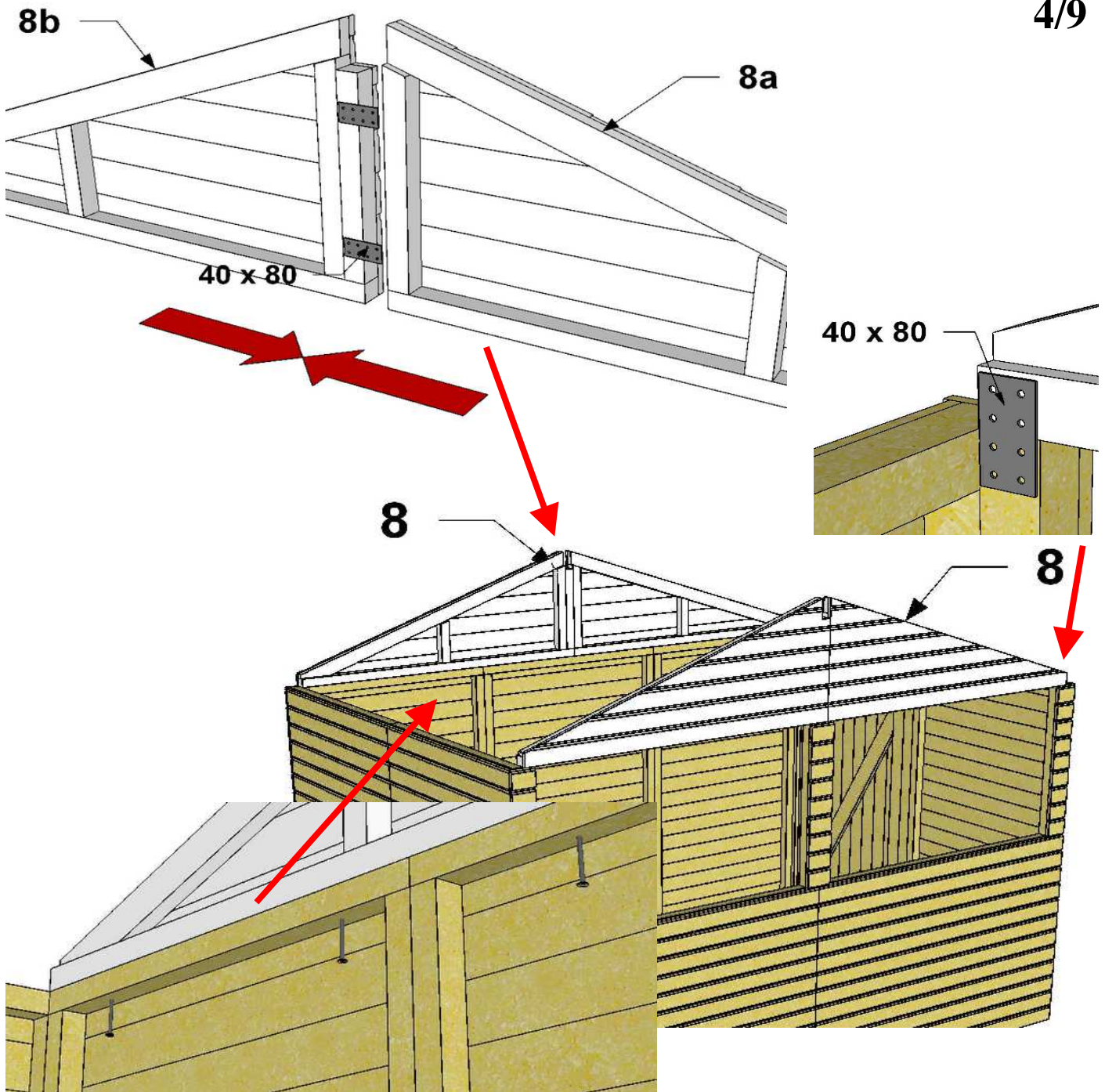
40 x 80	2
---------	---

3,5 x 40	16
----------	----

# Stall 3 x 2 m. (board roof)

## Assembly instruction

4/9

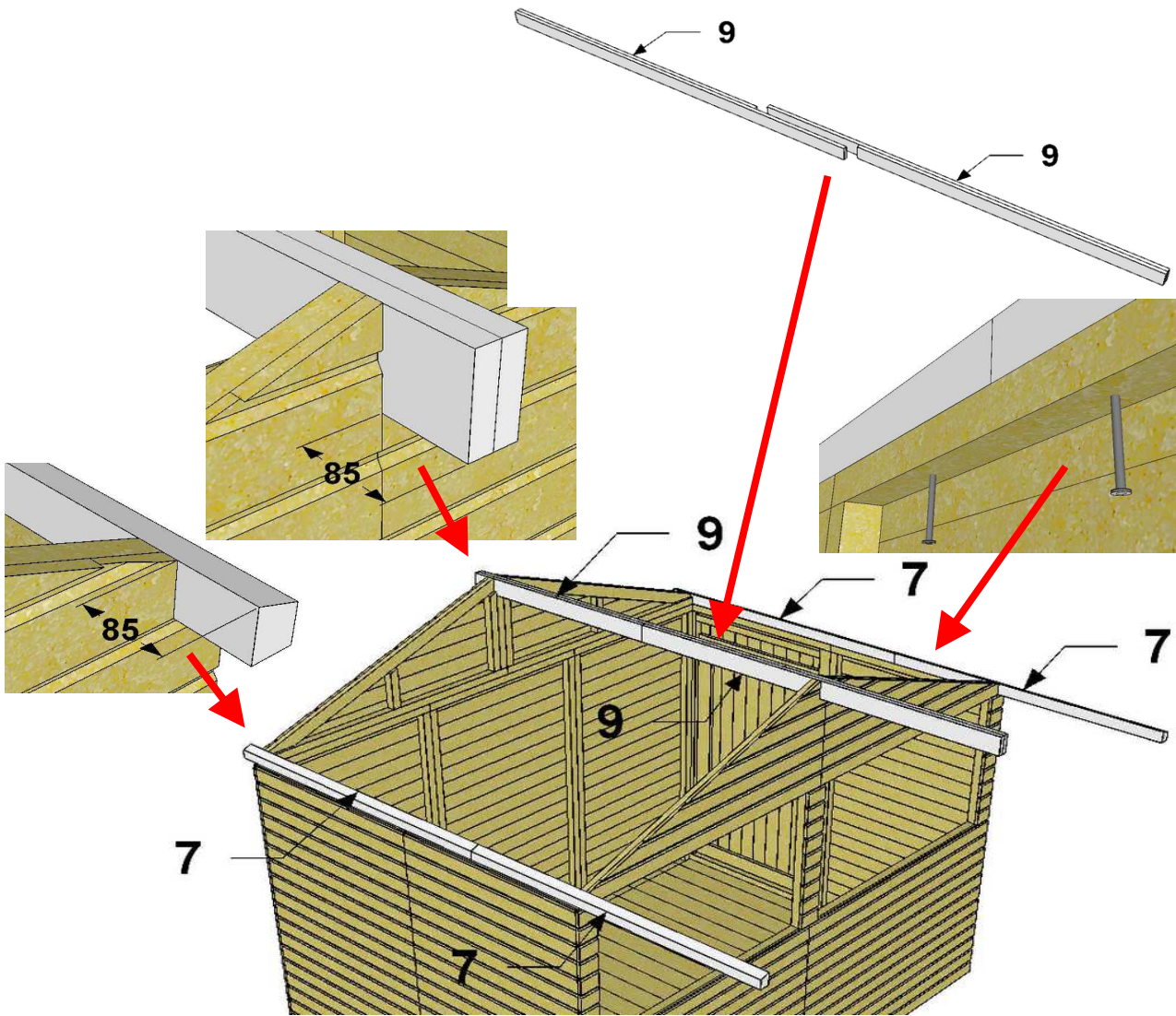


- 8a** + **8b**
- + **8** (back)
- + **8** (front)

40 x 80	4
3,5 x 40	32
4,5 x 80	6
40 x 80	2
3,5 x 40	16

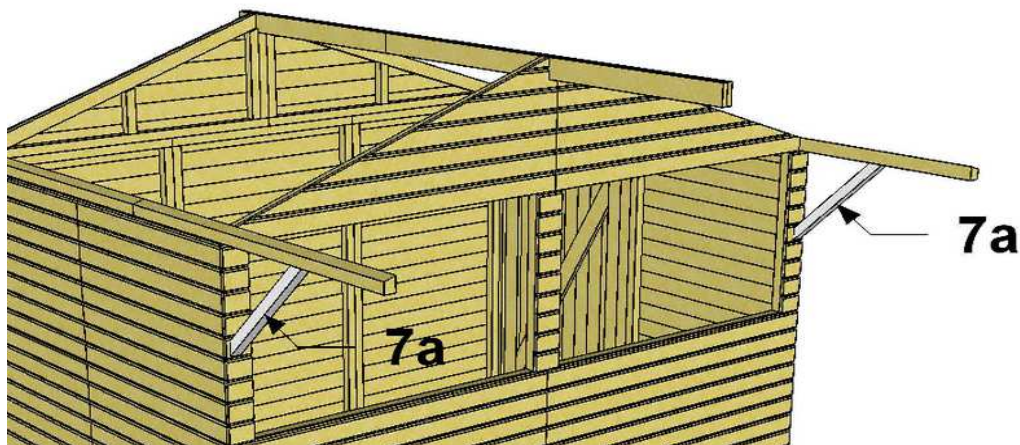
# Stall 3 x 2 m. (board roof)

## Assembly instruction



<b>9</b>	+	<b>9</b>
	+	<b>9</b>
	+	<b>7</b>

<b>3,5 x 40</b>	<b>8</b>
<b>4,5 x 80</b>	<b>2</b>
<b>4,5 x 80</b>	<b>10</b>



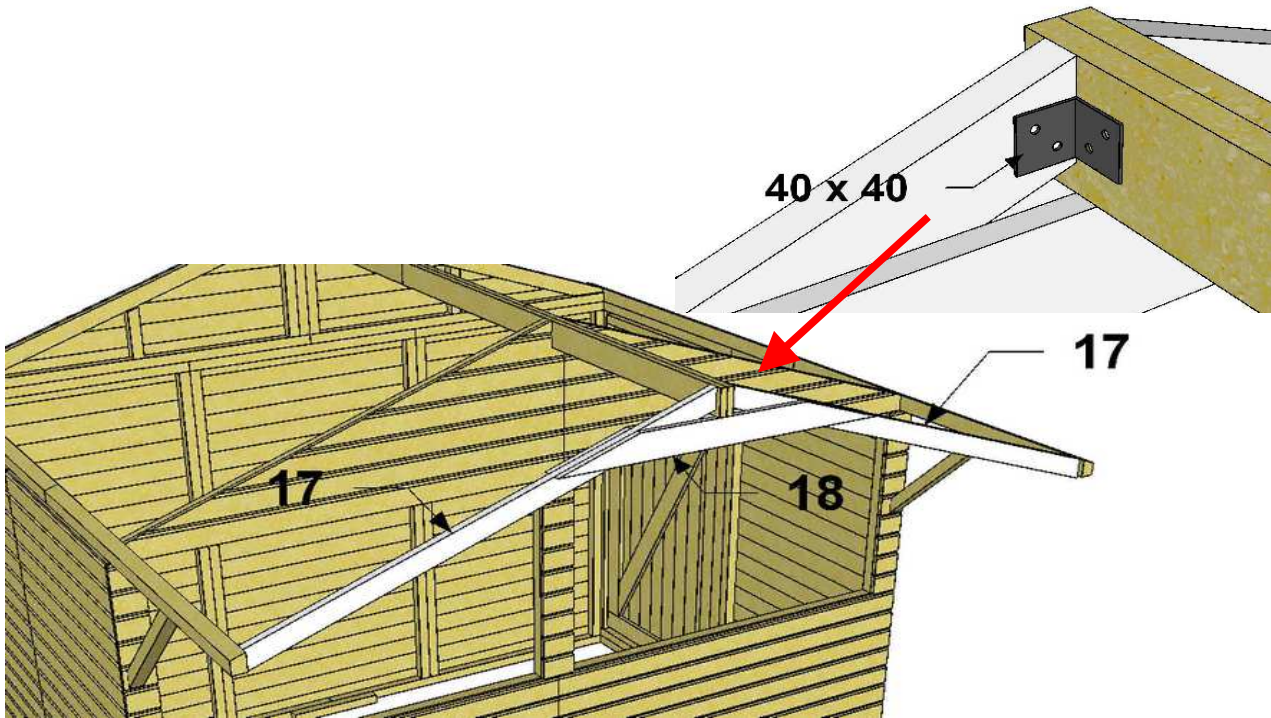
+	<b>7a</b>
---	-----------

<b>4,5 x 80</b>	<b>4</b>
-----------------	----------

# Stall 3 x 2 m. (board roof)

## Assembly instruction

6/9

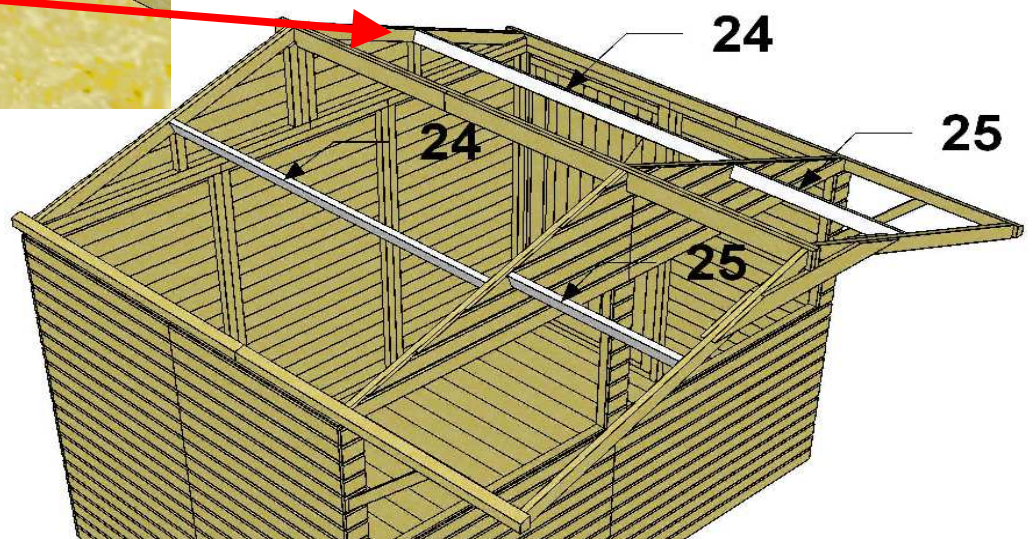
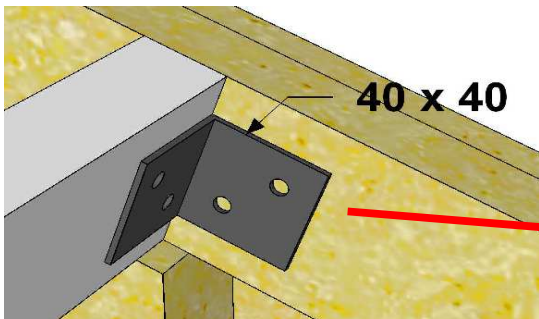


+ **17**

40 x 40 x 40	4
3,5 x 30	24

+ **18**

3,5 x 40	12
----------	----



+ **24**

40 x 40 x 40	4
3,5 x 30	24

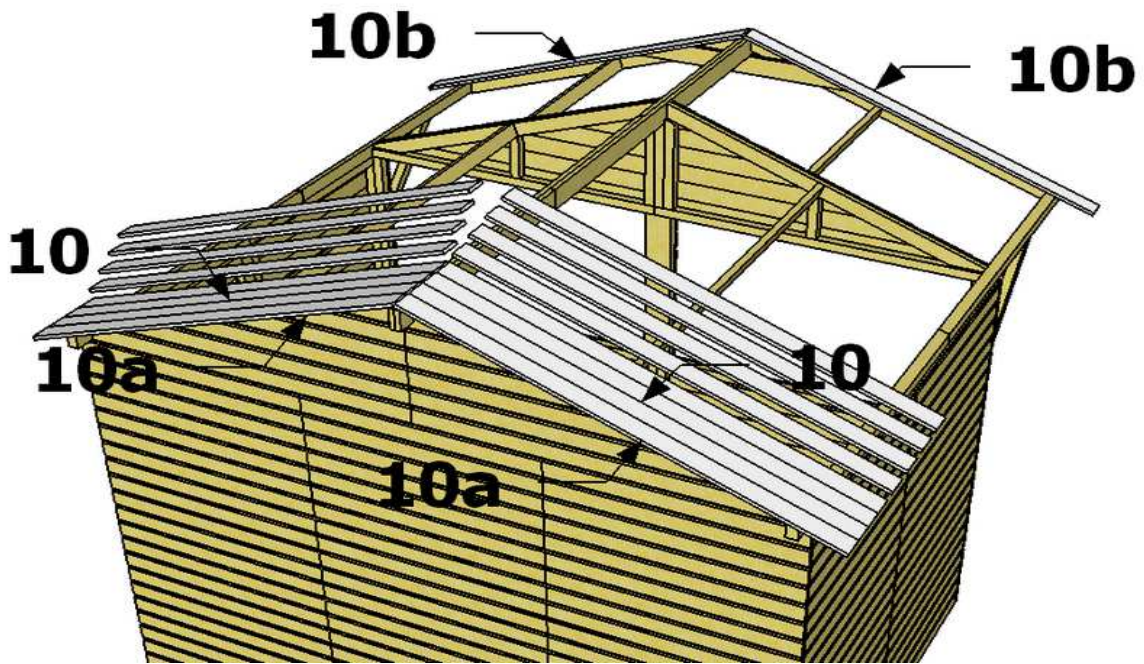
+ **25**

4,5 x 80	8
----------	---

# Stall 3 x 2 m. (board roof)

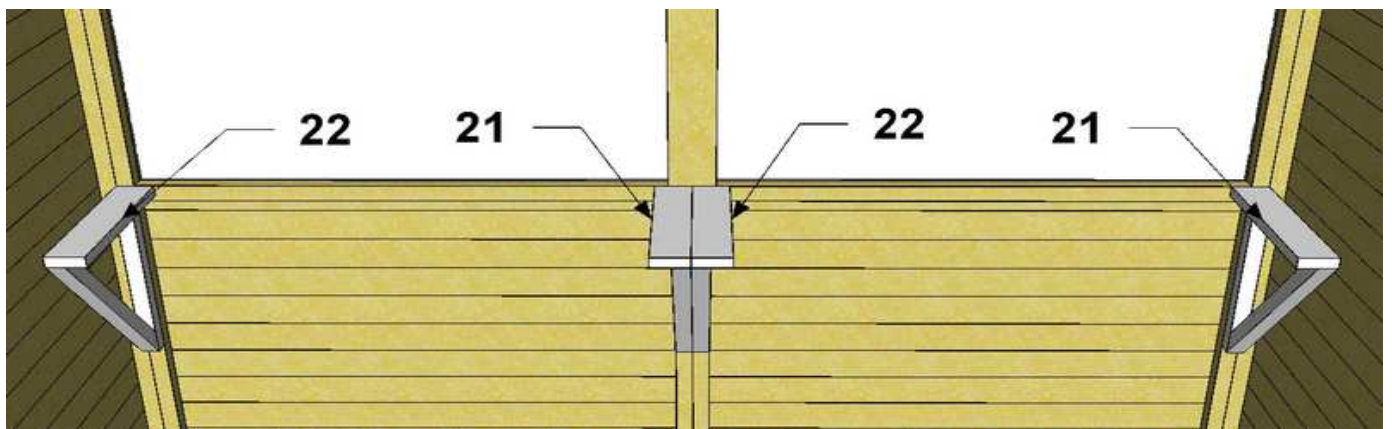
## Assembly instruction

7/9



**10a** + **10** + **10b**

3,5 x 40	32
2,5 x 50	210

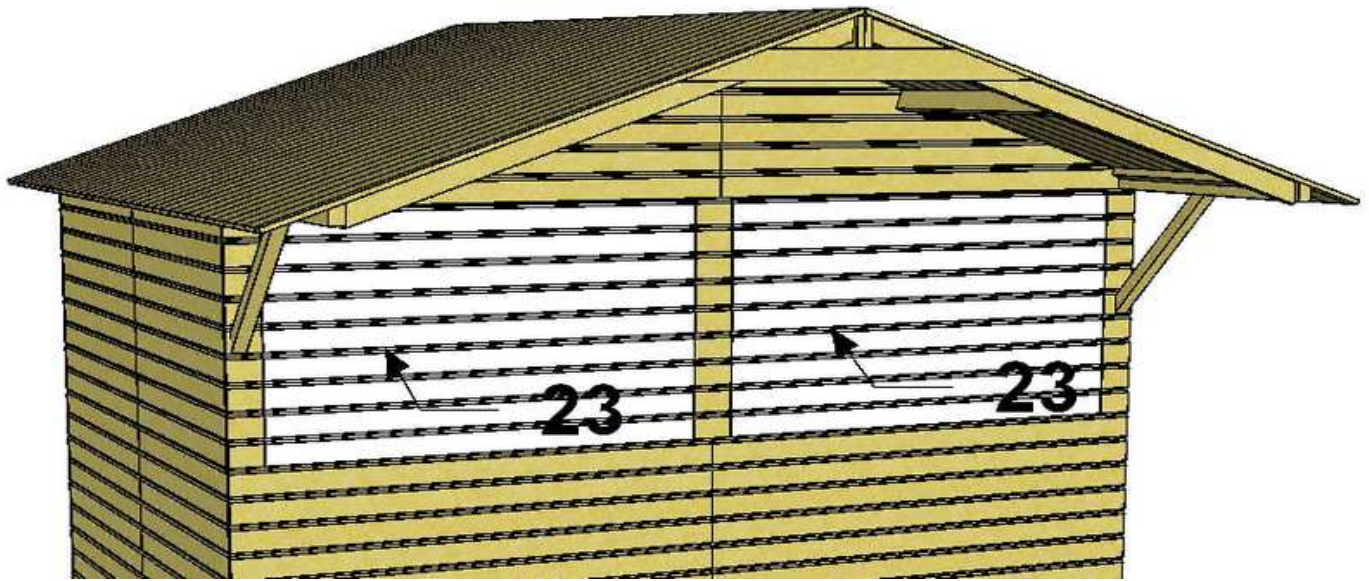


+ **21** + **22**

4,5 x 80	8
----------	---

# Stall 3 x 2 m. (board roof)

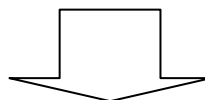
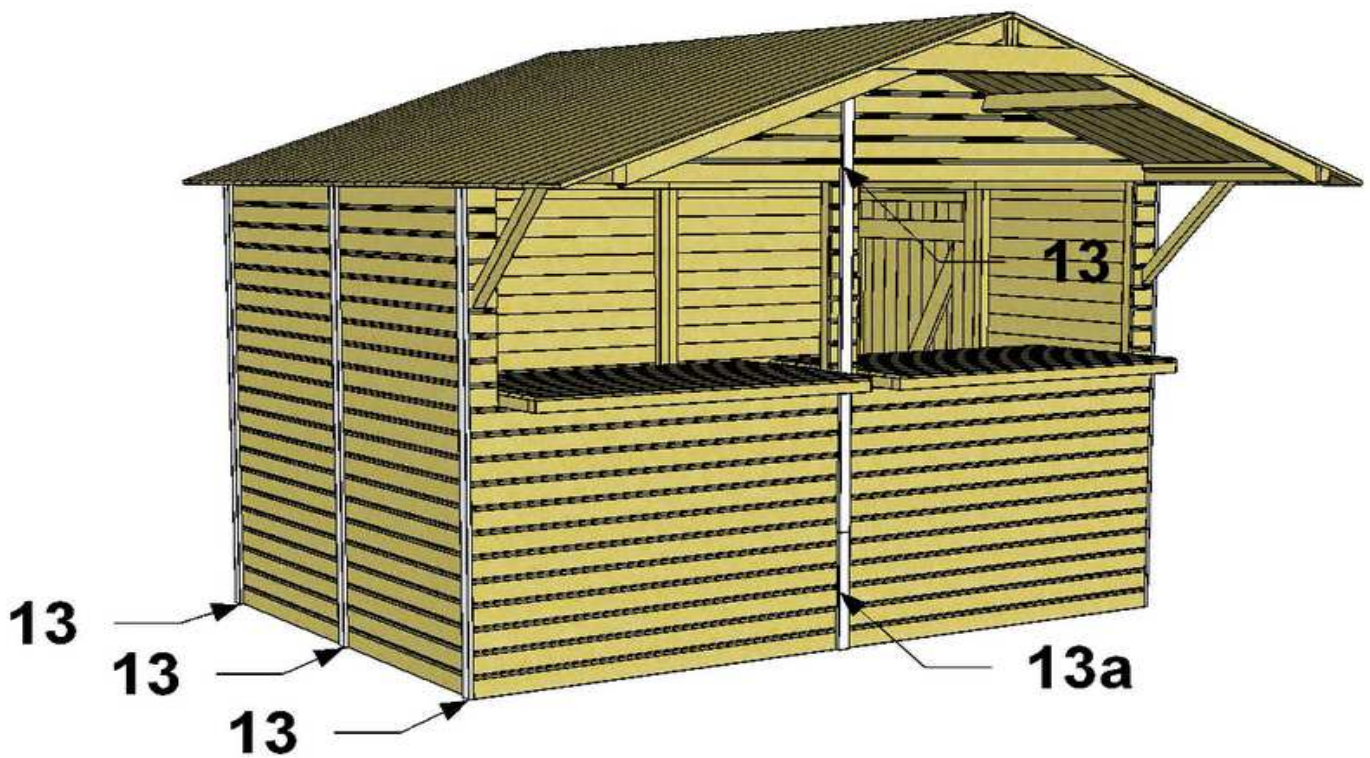
## Assembly instruction



+ **23** (20)

bolt M6	8
wing nut M6	8

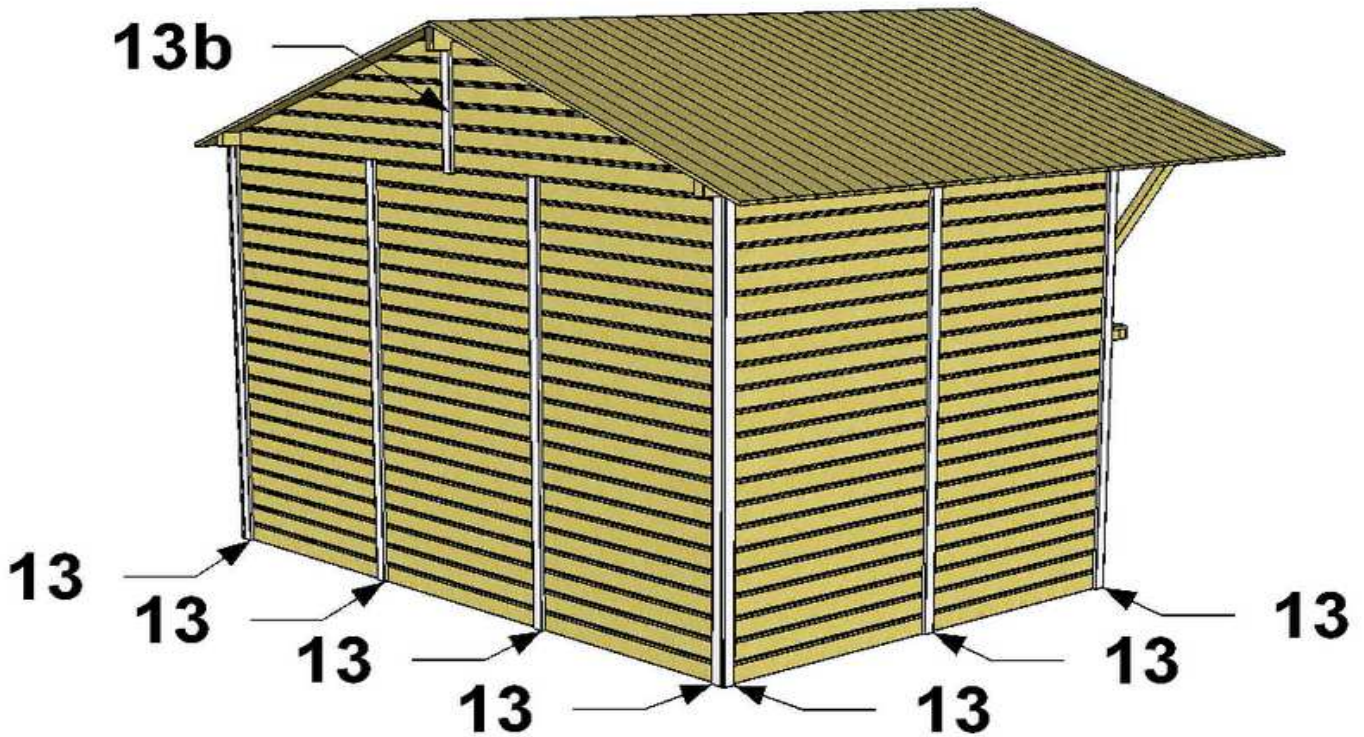
from inside



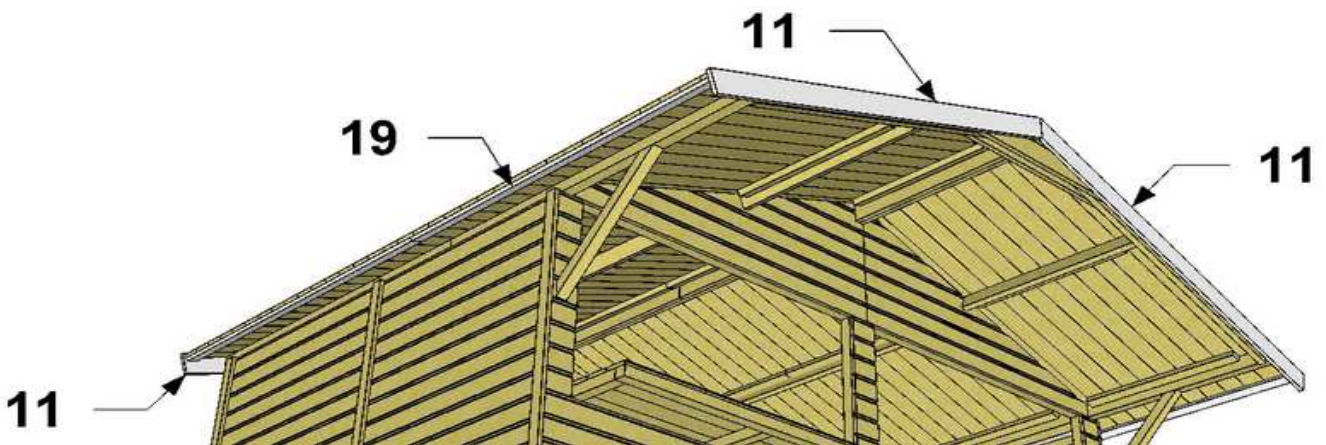


# Stall 3 x 2 m. (board roof)

## Assembly instruction



<b>13</b>	+	<b>13a</b>	+	<b>13b</b>	<b>3,5 x 40</b>	<b>37</b>
-----------	---	------------	---	------------	-----------------	-----------



+	<b>11</b>	<b>3,5 x 40</b>	<b>16</b>
+	<b>19</b>	<b>3,5 x 30</b>	<b>24</b>

+	<b>16</b>	<b>3,5 x 40</b>	<b>4</b>
		<b>3,5 x 30</b>	<b>6</b>