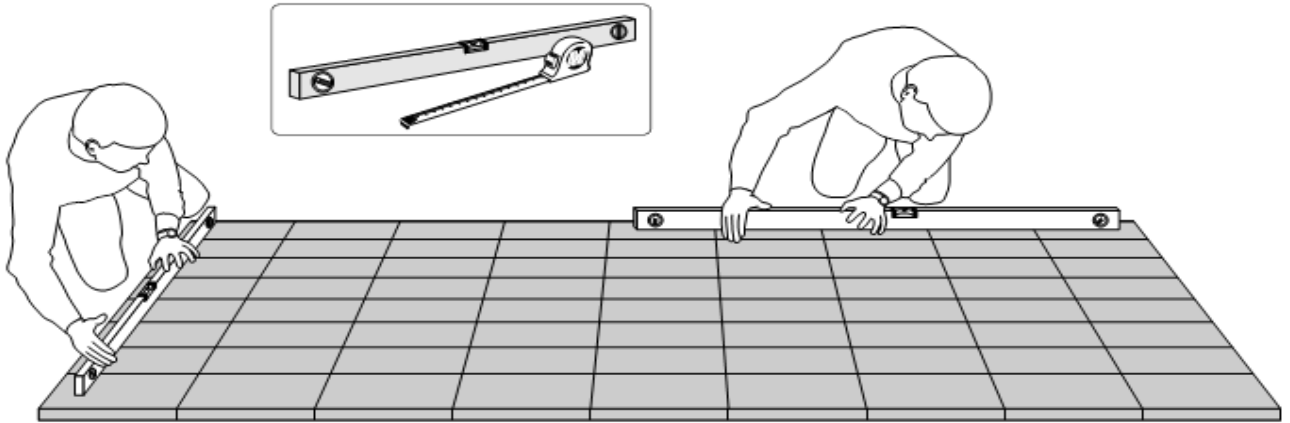


Lux-stall A (274 x 240 cm.)

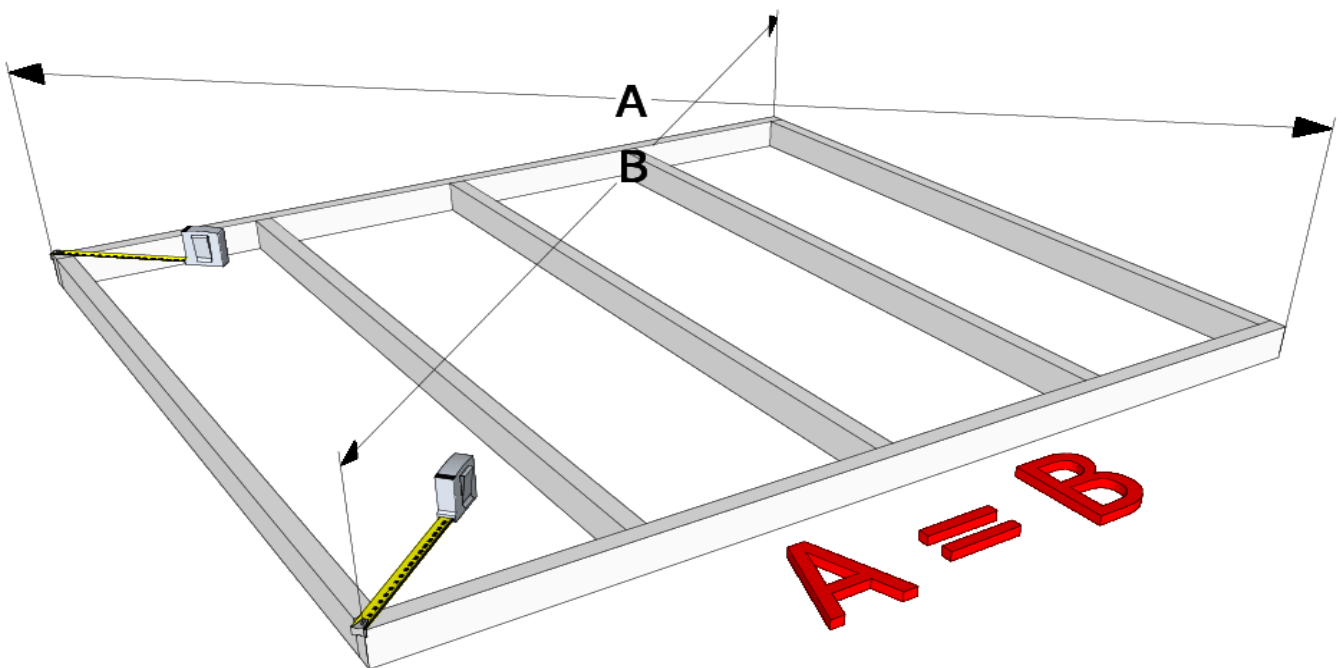
Assembly instruction

1/15

Important !
Wichtig !



Important !
Wichtig !

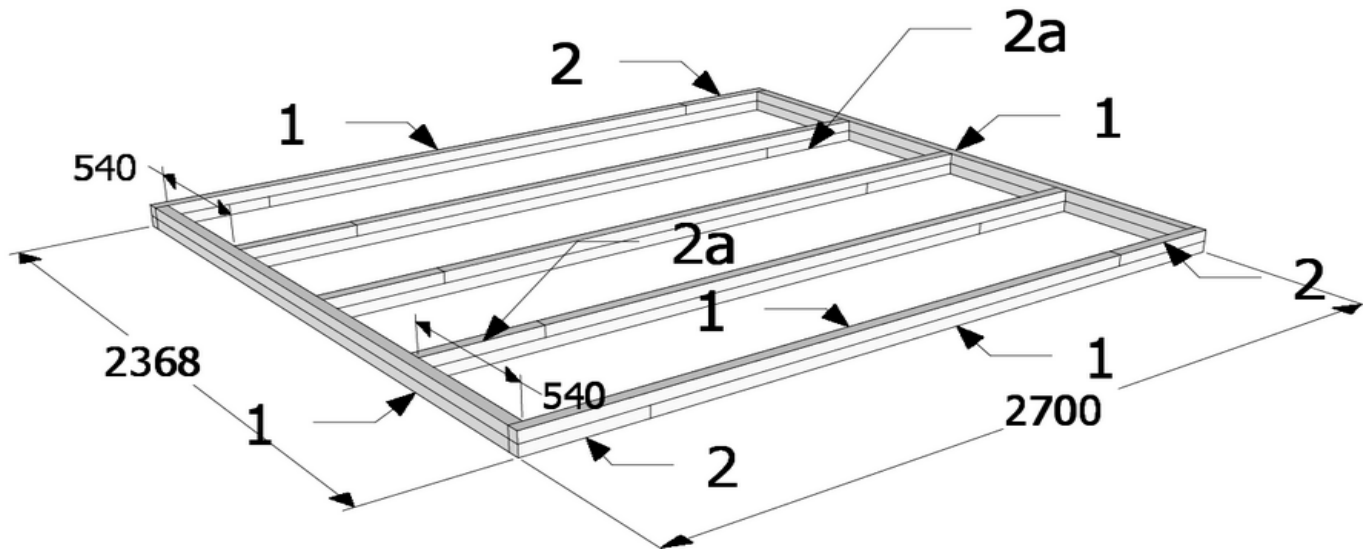


Lux-stall A (274 x 240 cm.)

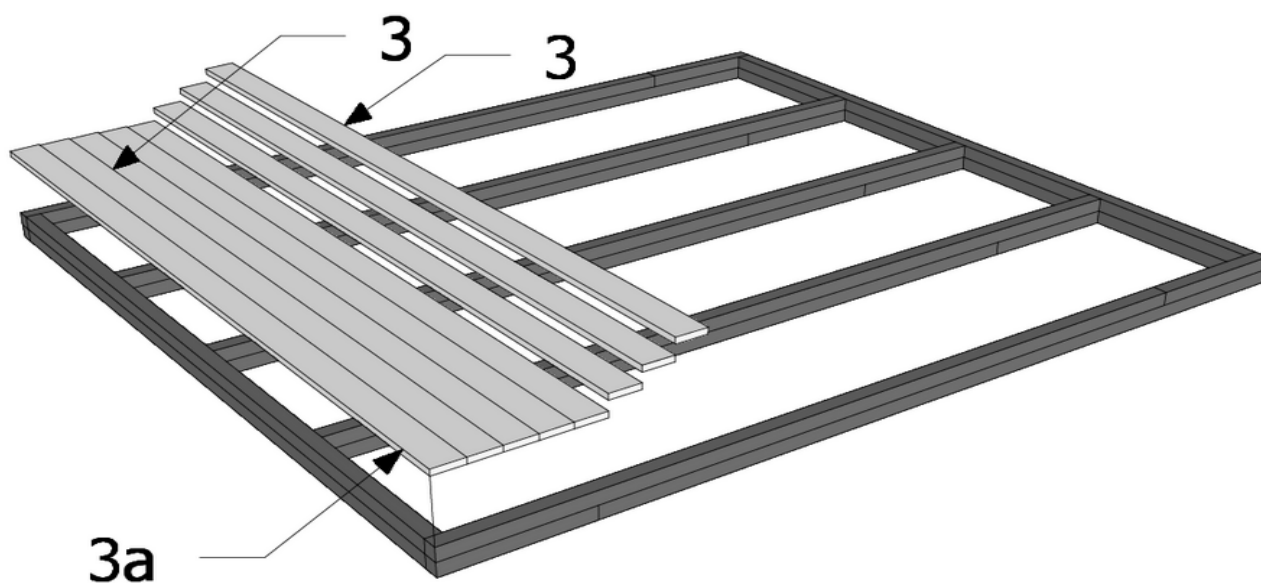
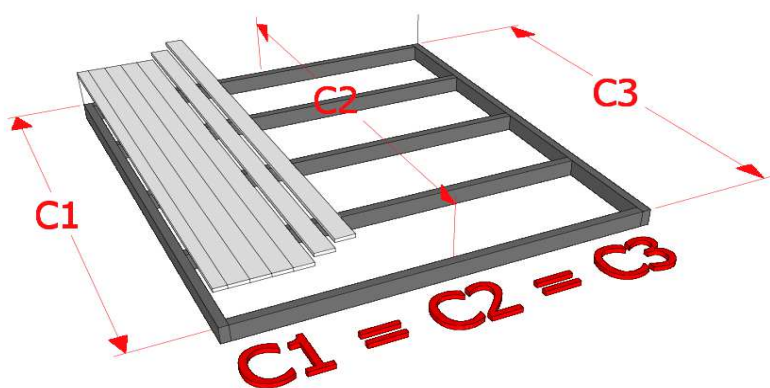
Assembly instruction

2/15

ideal A = 3591mm. = B



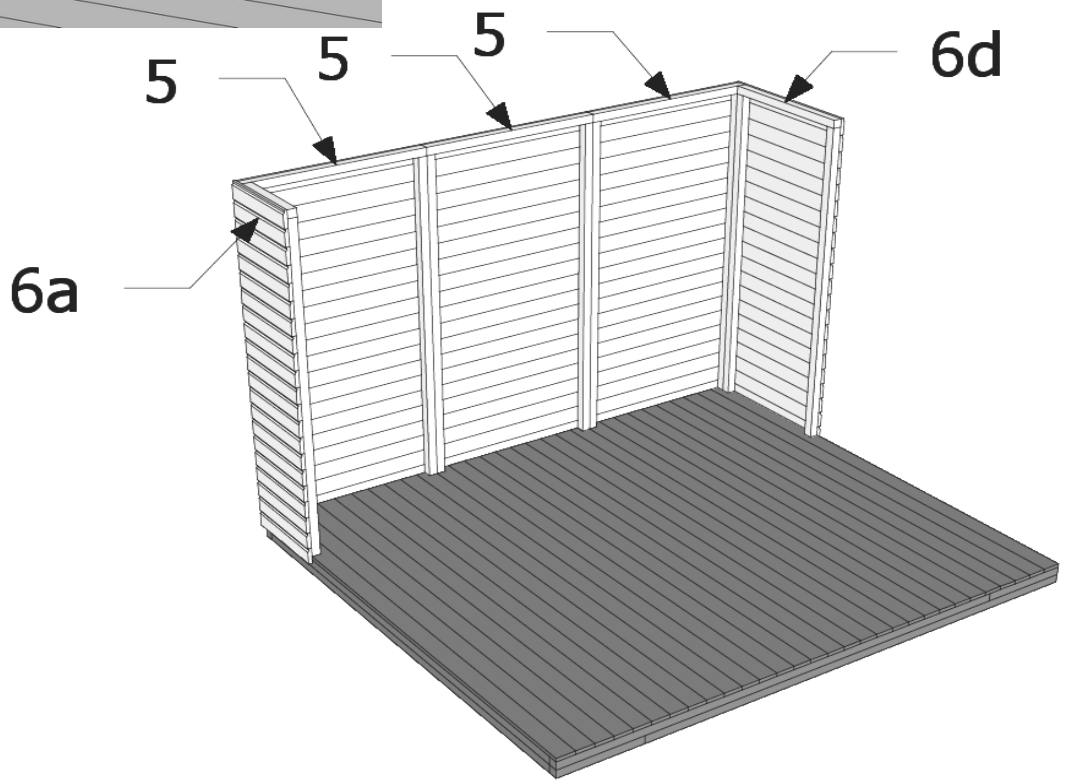
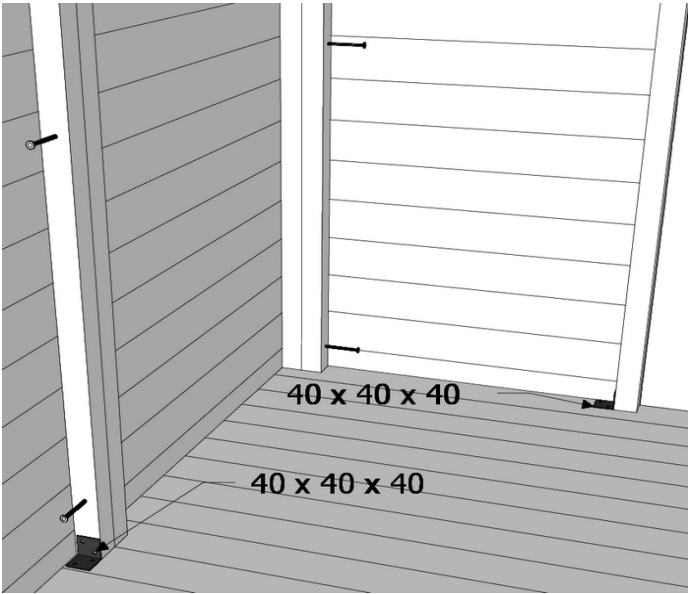
1	+	1	+	2	+	2a	4,5 x 80	48
----------	---	----------	---	----------	---	-----------	-----------------	-----------



3a	+	3	2,5 x 50	160
-----------	---	----------	-----------------	------------

Lux-stall A (274 x 240 cm.)

Assembly instruction



6d	+	5	+	5	+	5
	+	6a	+	4b	+	6b
	+	6a	+	4a	+	6b
					+	6c

4,5 x 80	36
-----------------	-----------

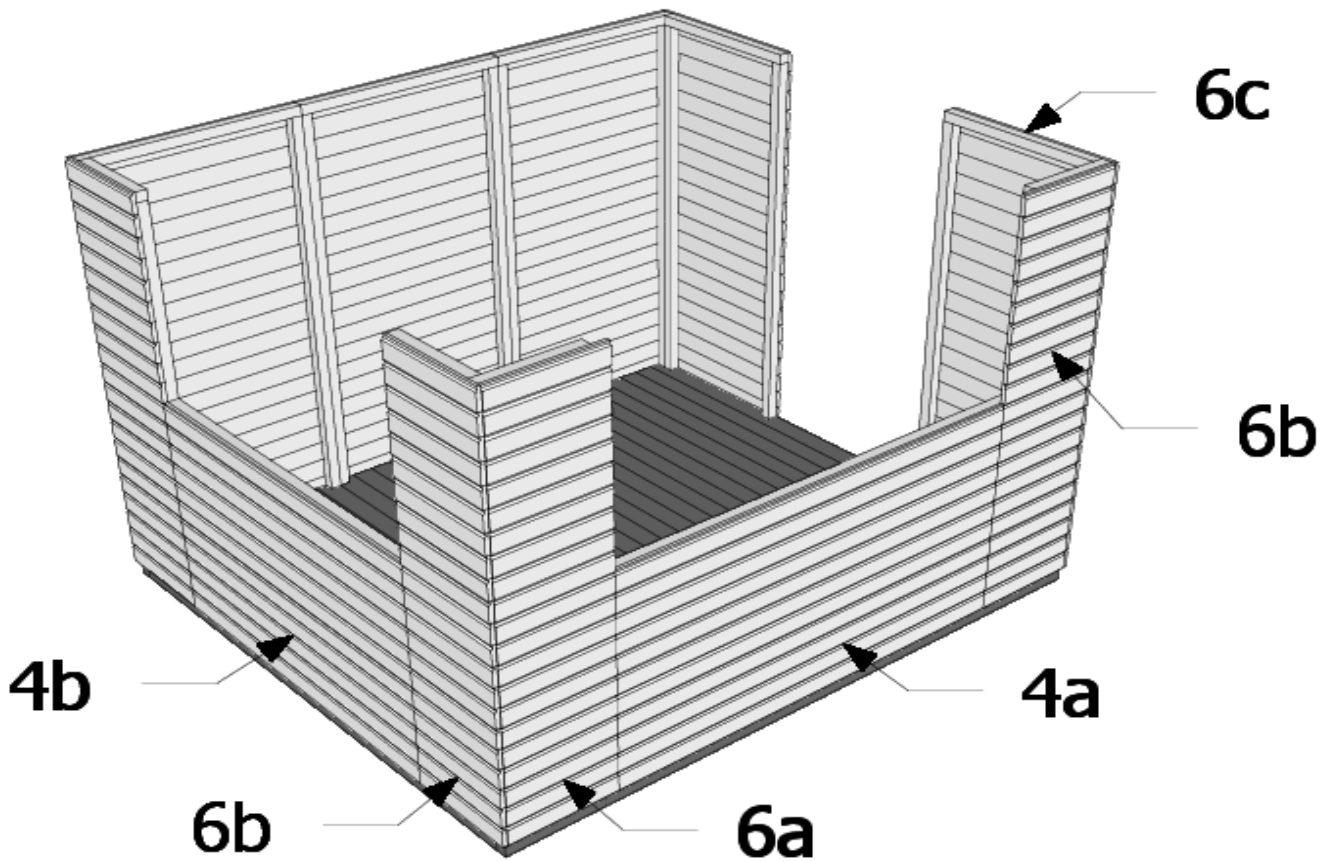
6d	5	5	5	5	6a	4b	
4b	6b	6a	4a	4a	6b	6c	
						+	base

40 x 40 x 40	8
3,5 x 40	48

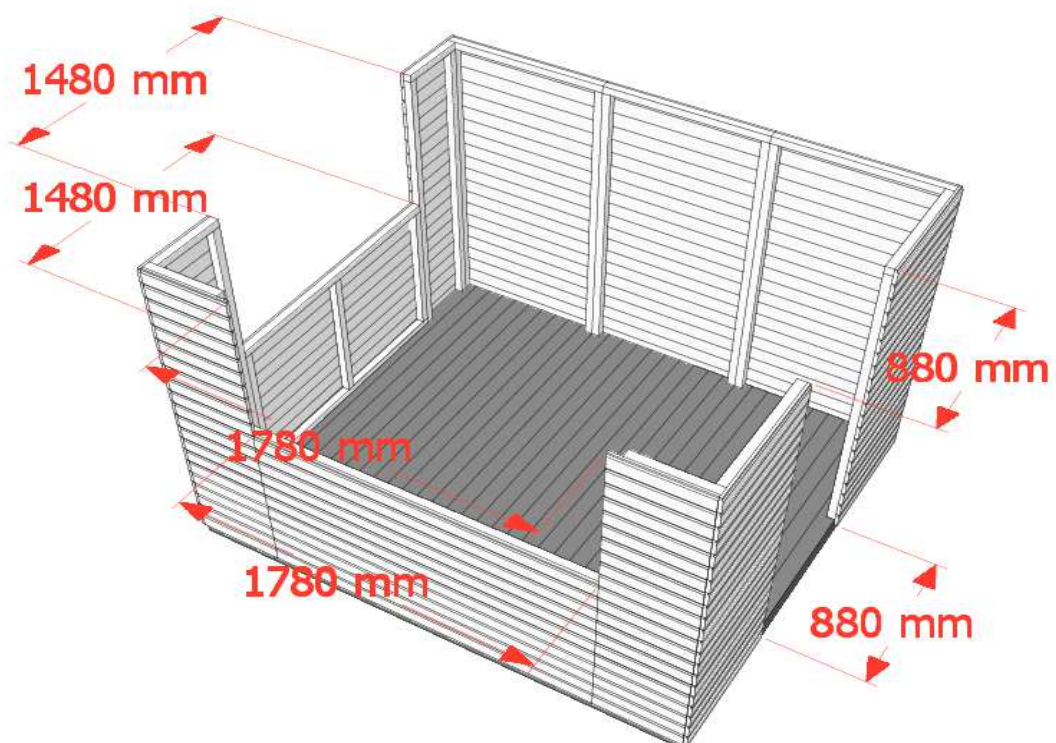
Lux-stall A (274 x 240 cm.)

Assembly instruction

4/15



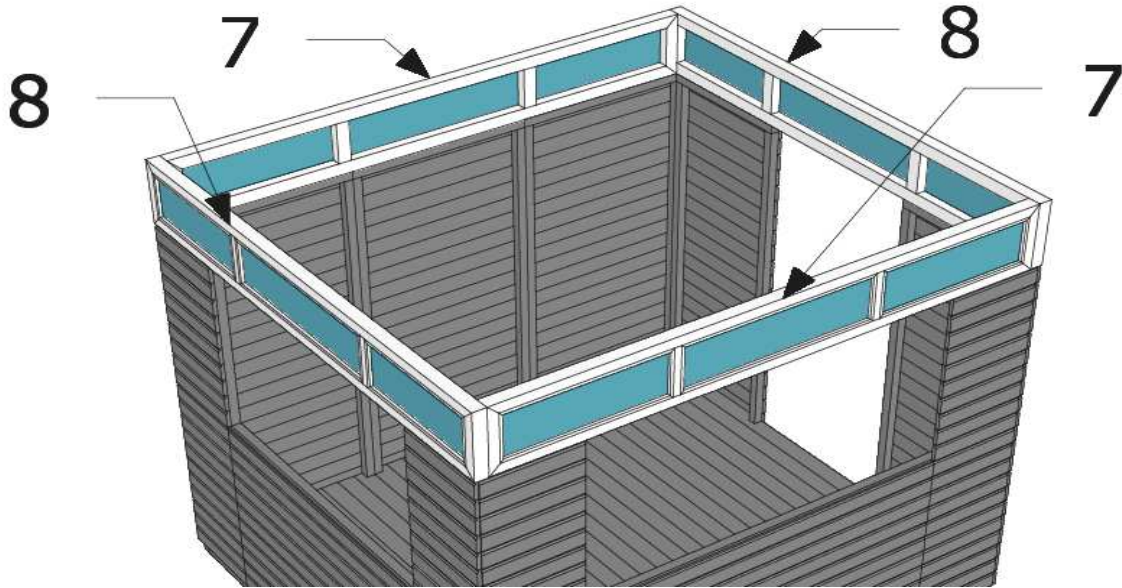
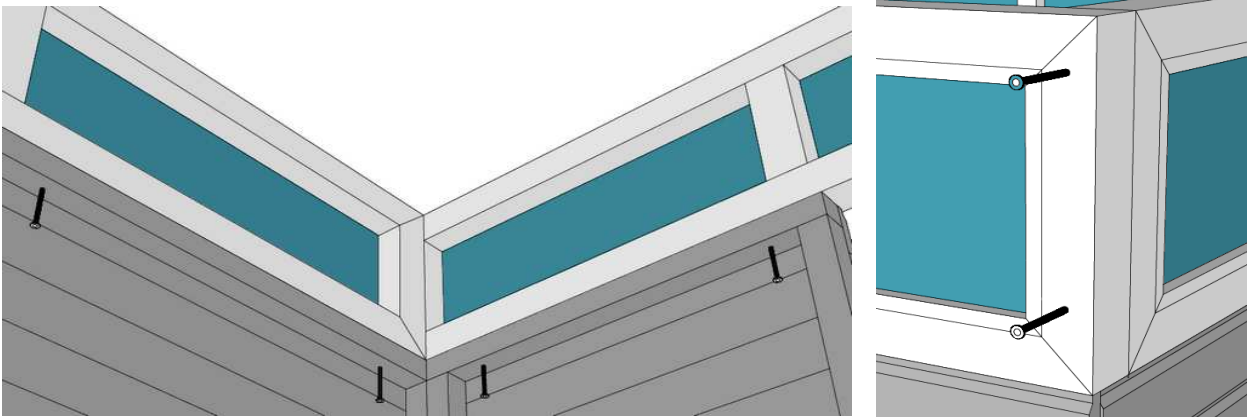
Important !
Wichtig !



Lux-stall A (274 x 240 cm.)

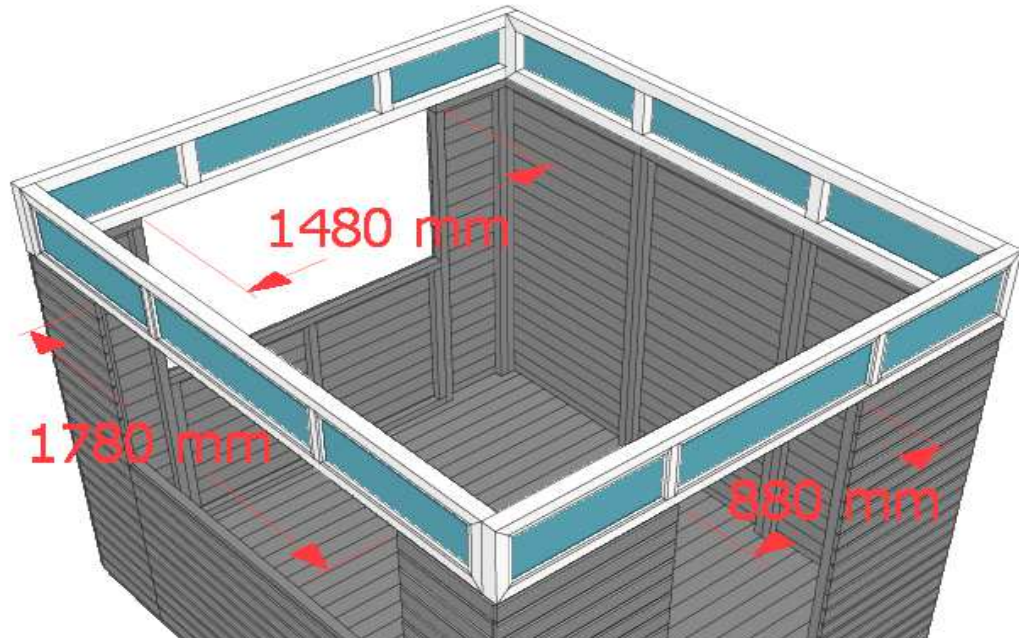
Assembly instruction

5/15



8	+	7	+	7	+	8	4,5 x 80	18
		8	+	7			5 x 120	8

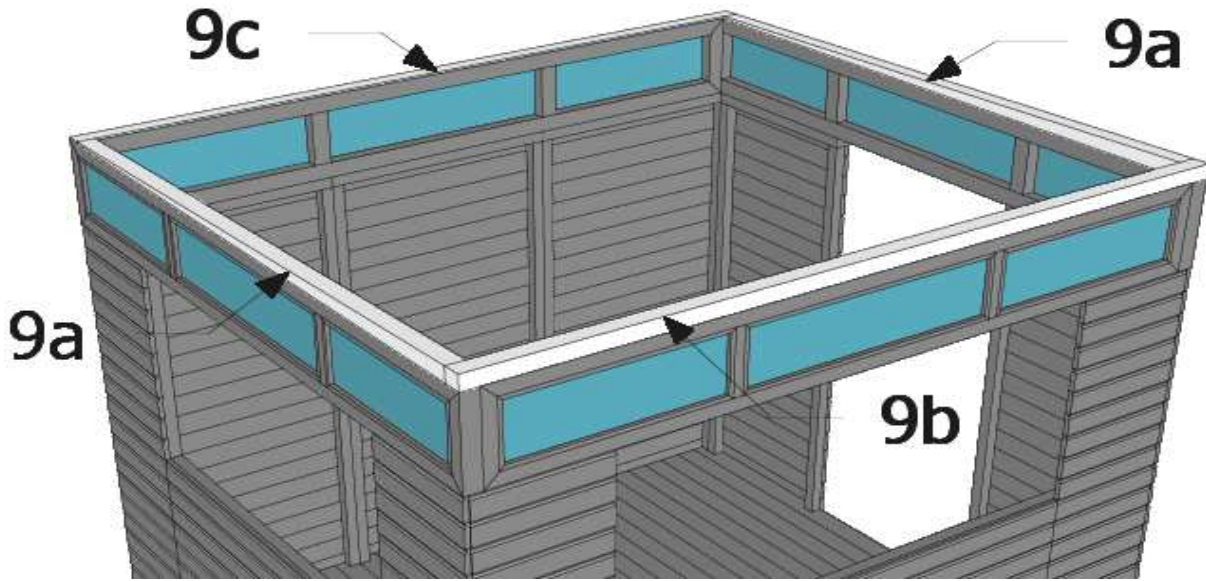
Important !
Wichtig !



Lux-stall A (274 x 240 cm.)

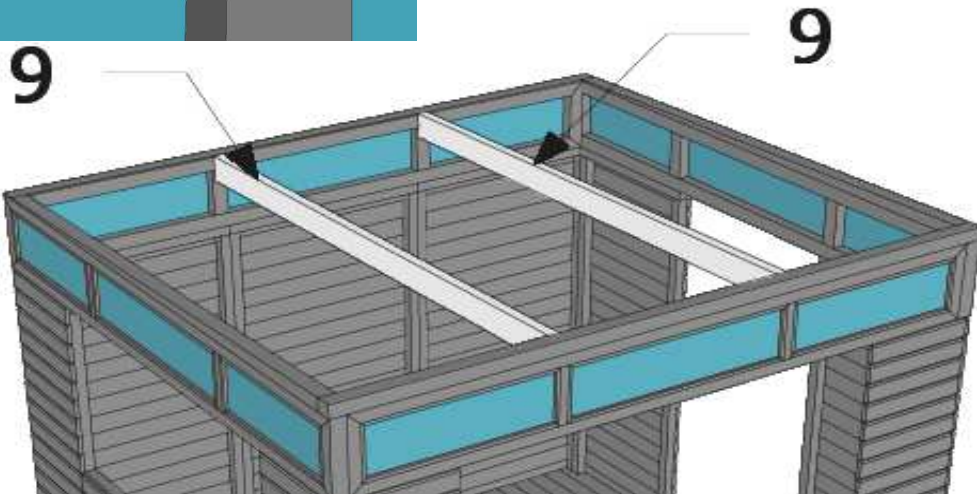
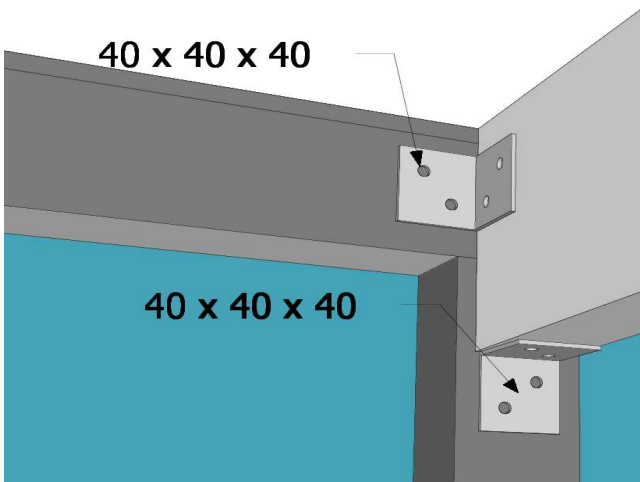
Assembly instruction

6/15



9b + **9a** + **9a** + **9c**

4,5 x 80	10
3,5 x 50	6
3,5 x 40	6



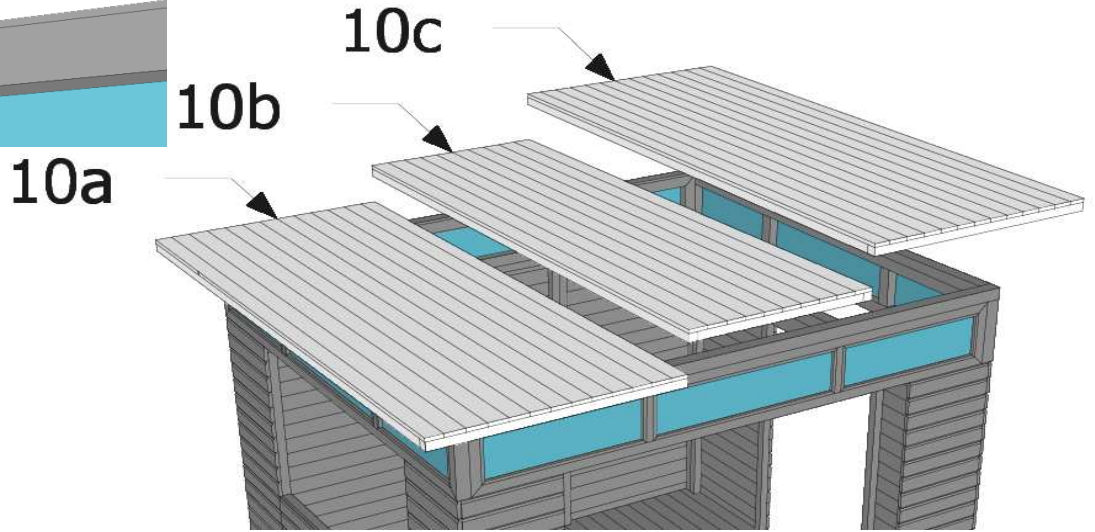
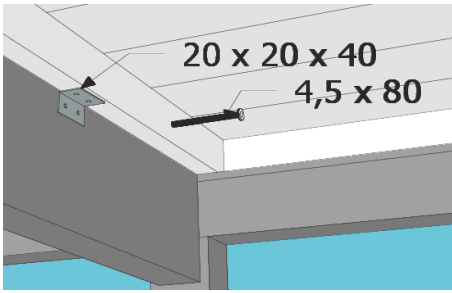
+ **9**

40 x 40 x 40	8
3,5 x 40	48

Lux-stall A (274 x 240 cm.)

Assembly instruction

7/15

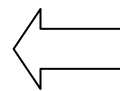
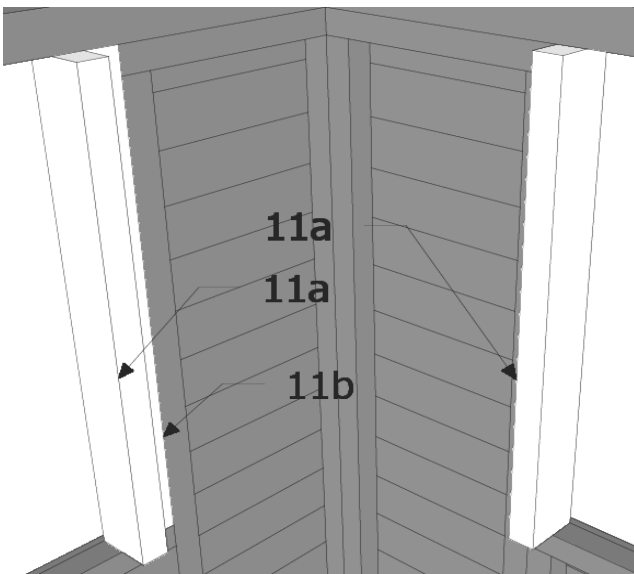


along the perimeter / entlang den perimeter

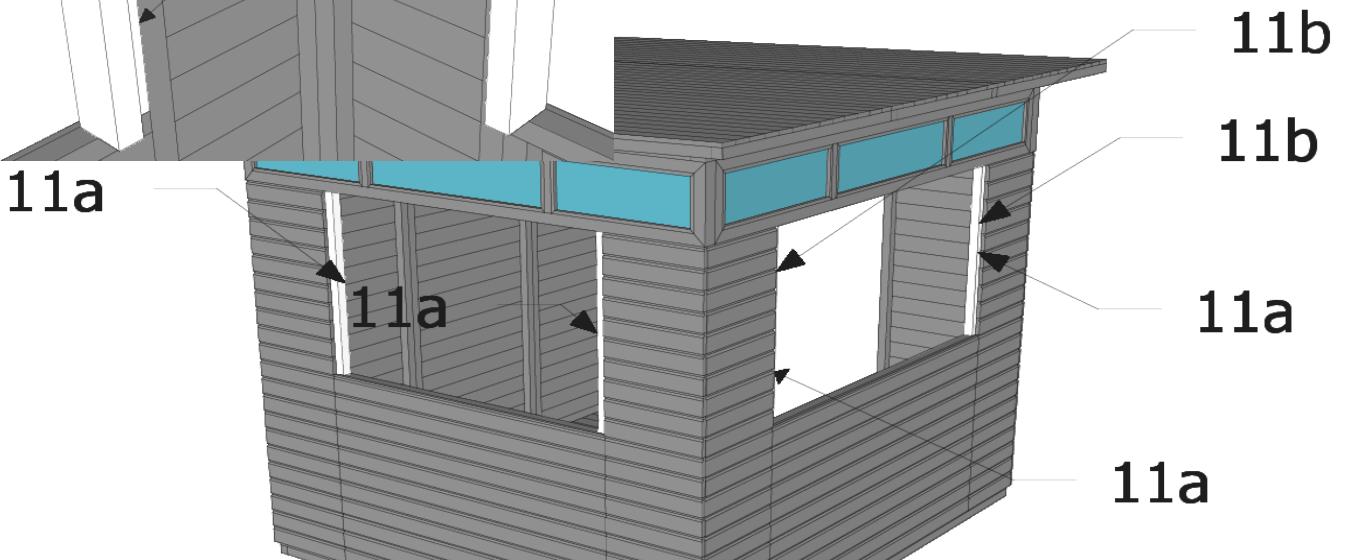
+ **10a** + **10b** + **10c**



5 x 120	20
4,5 x 80	6
20 x 20 x 40	12
3,5 x 40	48



View from inside
Ansicht von innen

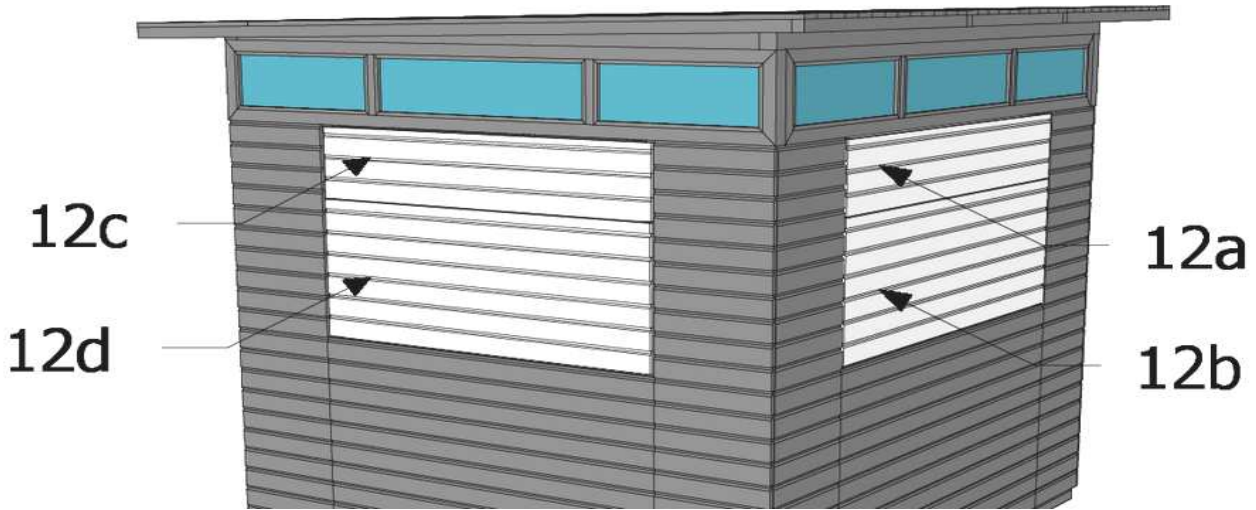


+ **11b** + **11a**

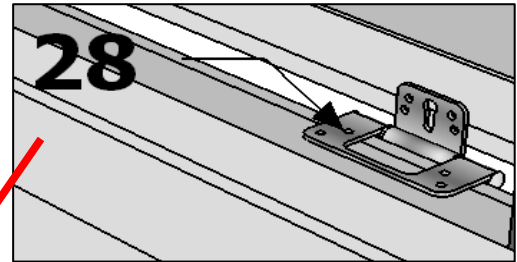
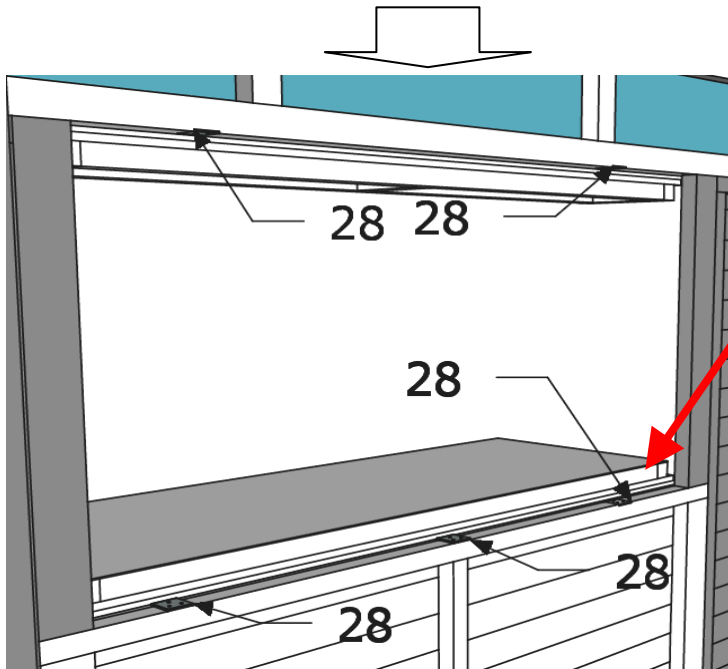
4,5 x 80	18
----------	----

Lux-stall A (274 x 240 cm.)

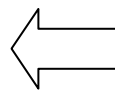
Assembly instruction



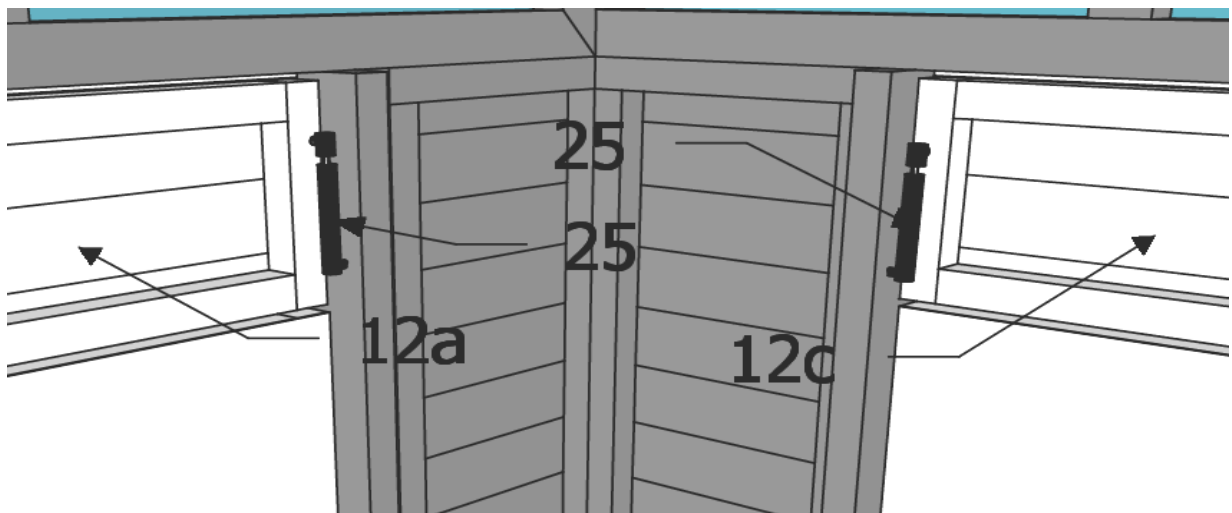
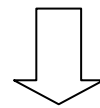
12a + **12b** + **12c** + **12d**



28	5 x 35	60
-----------	---------------	-----------



View from inside
Ansicht von innen

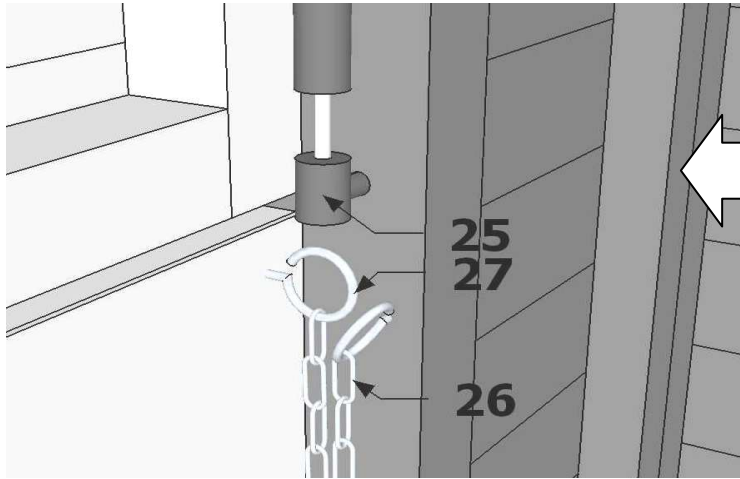


25	3,5 x 40	20
-----------	-----------------	-----------

Lux-stall A (274 x 240 cm.)

Assembly instruction

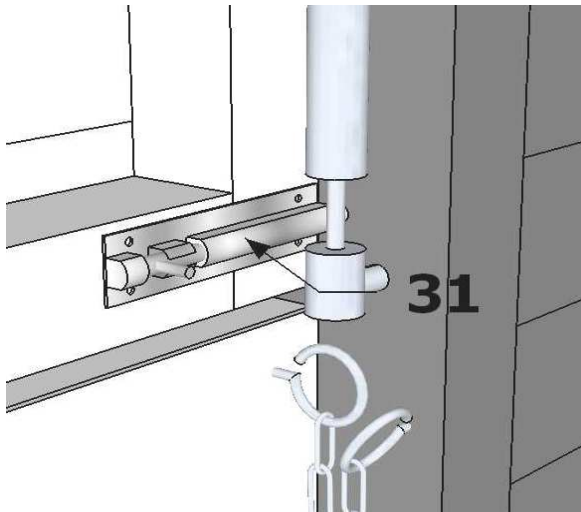
9/15



View from inside
Ansicht von innen

26

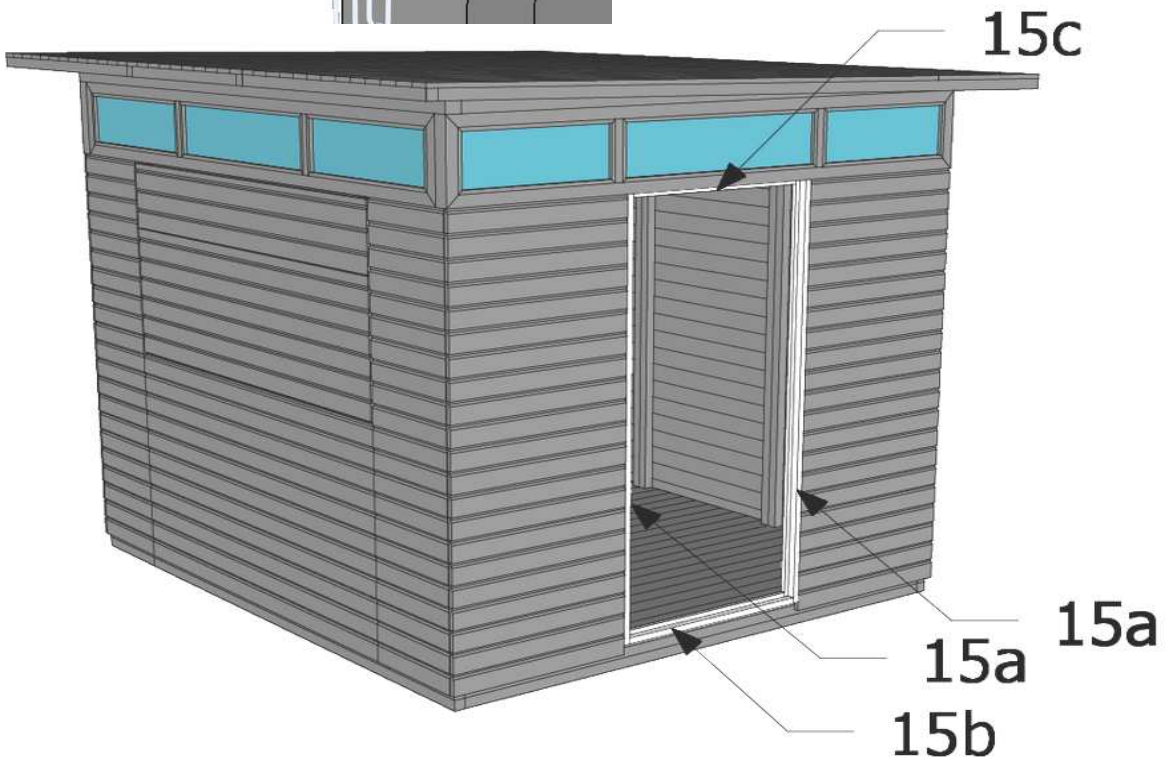
27



31

3 x 30

24



15a

+

15b

4 x 60

12

15c

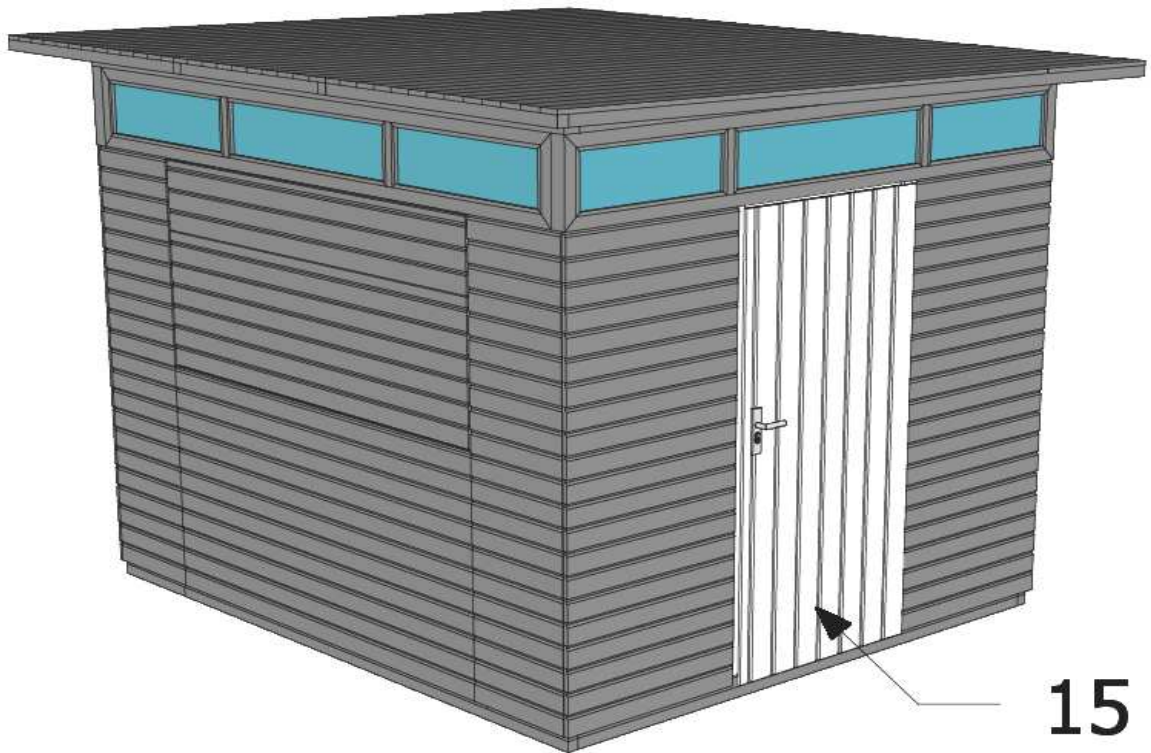
3,5 x 40

4

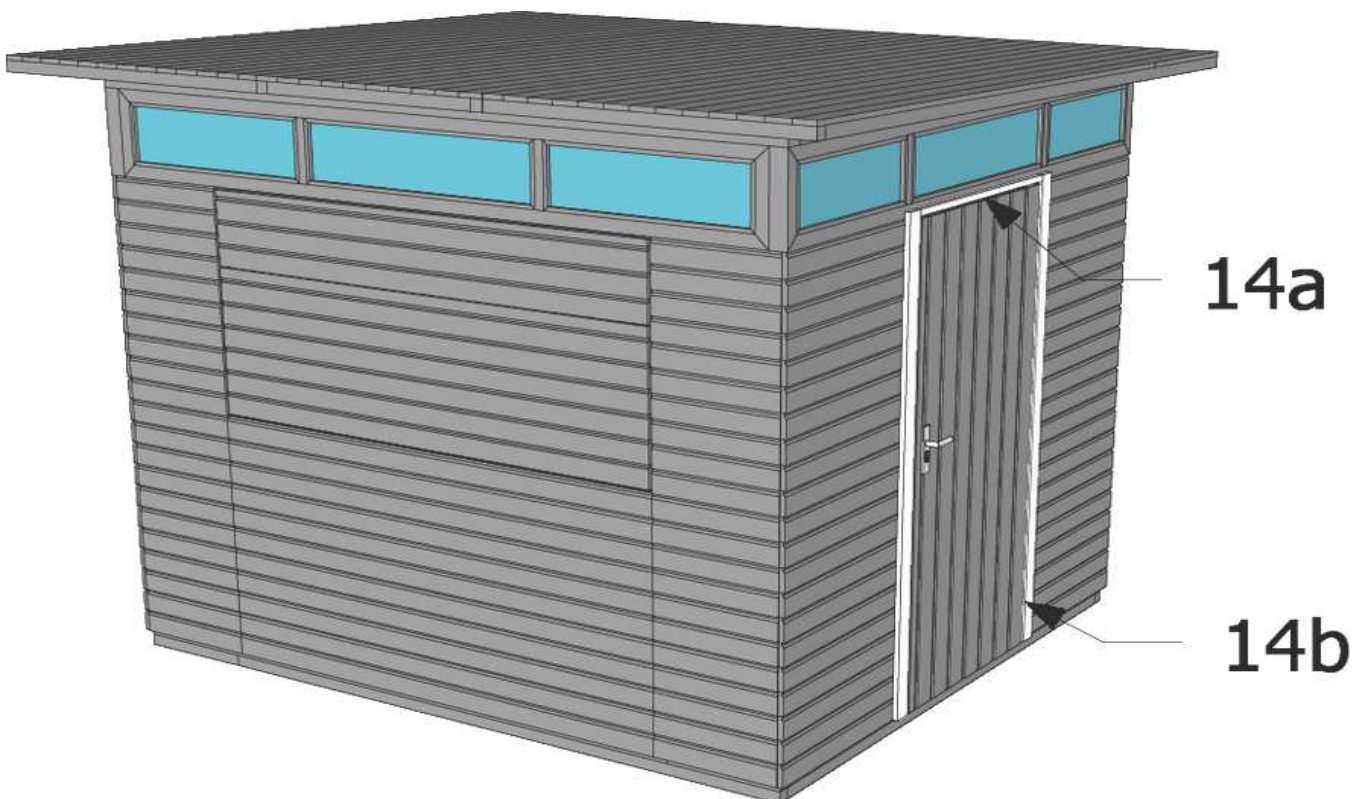
Lux-stall A (274 x 240 cm.)

Assembly instruction

10/15



15



14b

+

14a

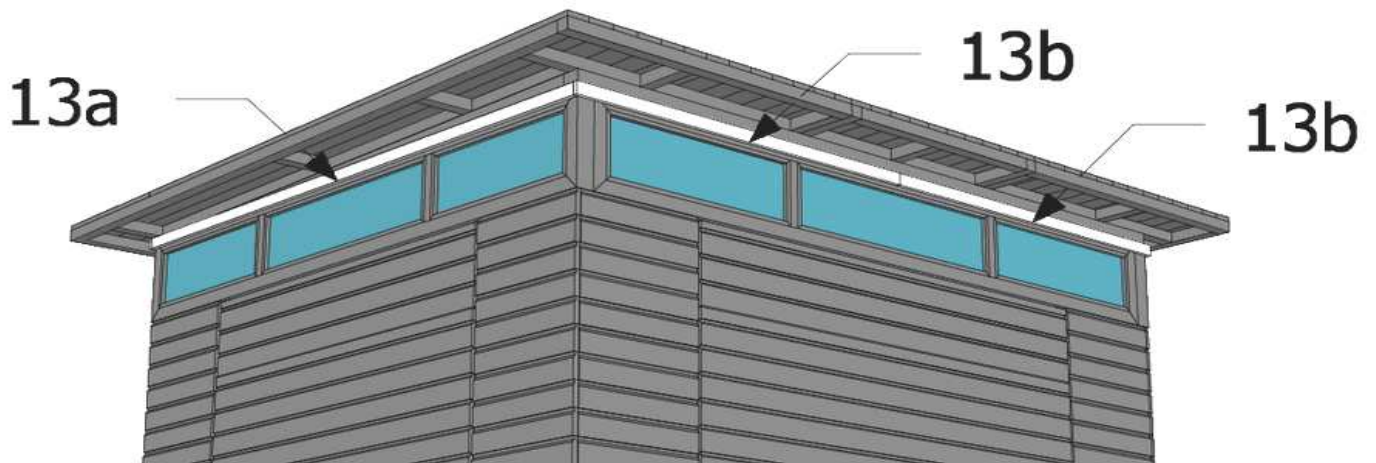
3,5 x 40

12

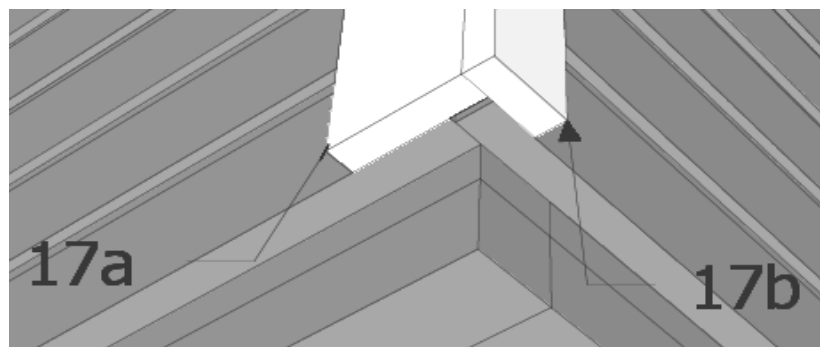
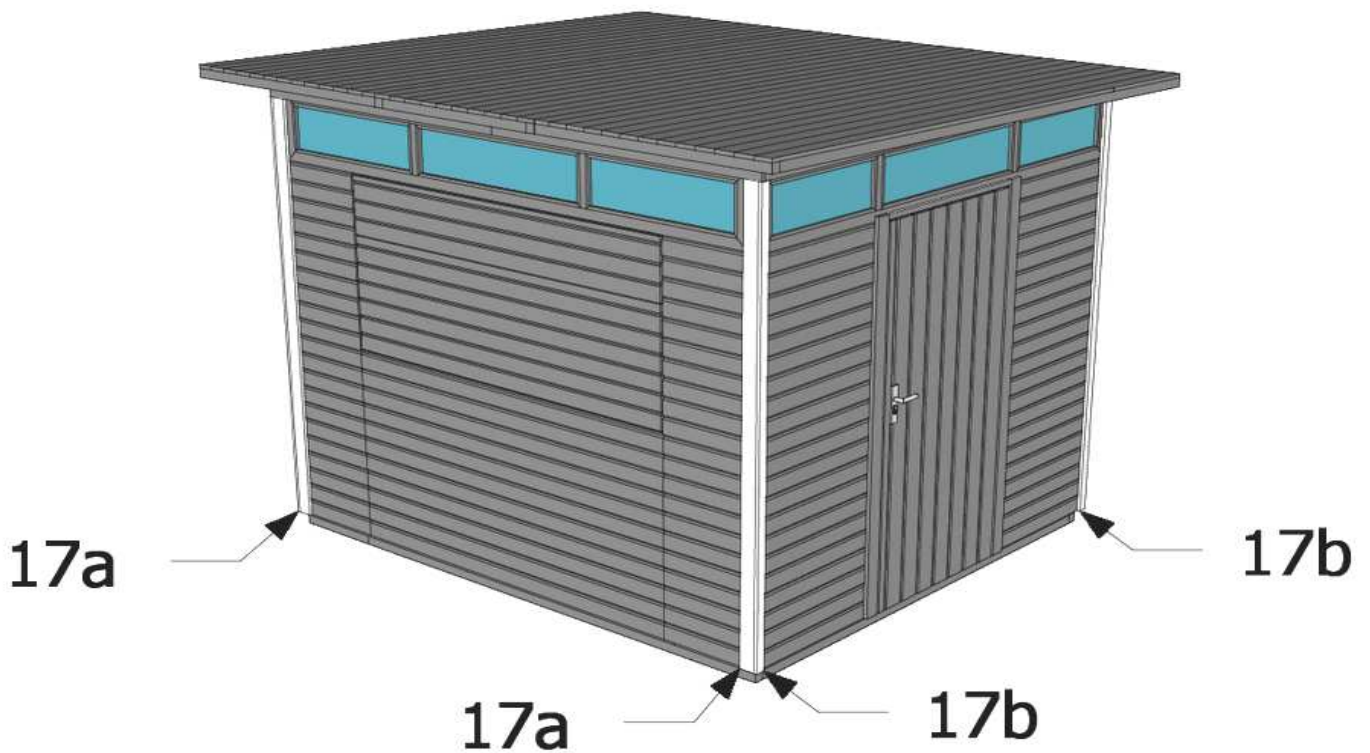
Lux-stall A (274 x 240 cm.)

Assembly instruction

11/15



13a	+	13b	3,5 x 40	20
------------	---	------------	-----------------	-----------

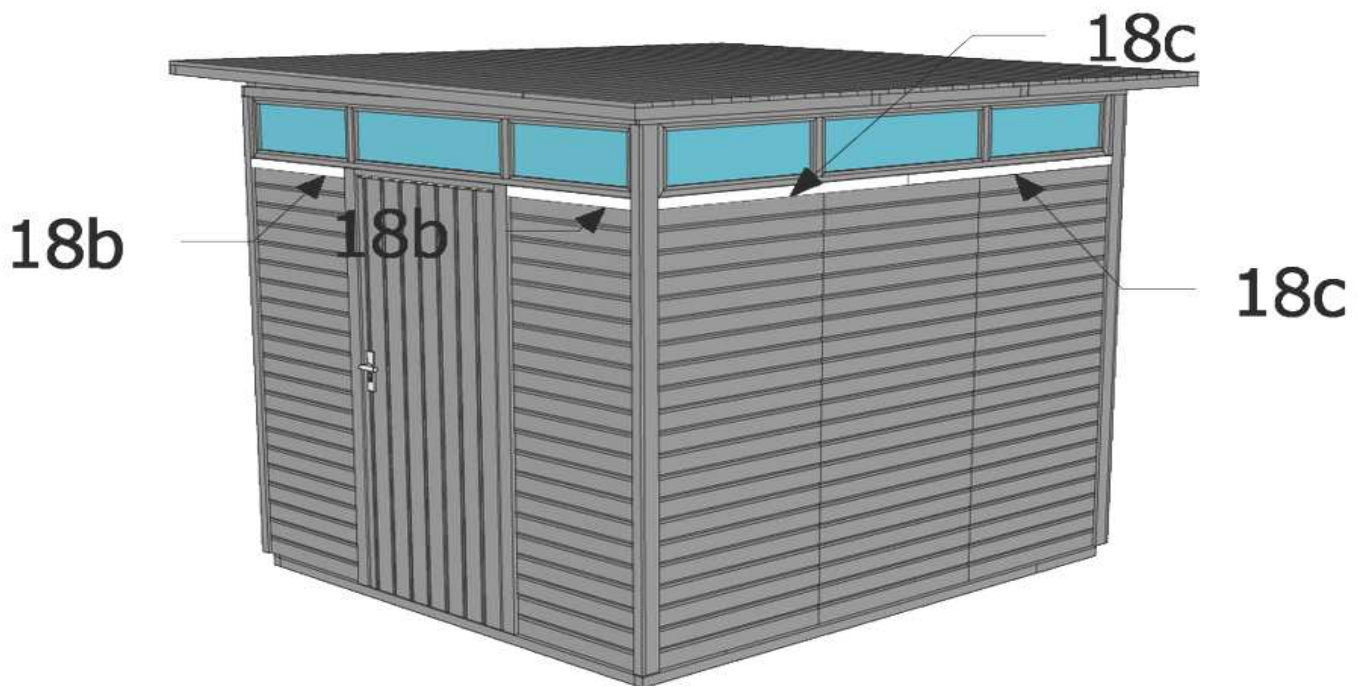
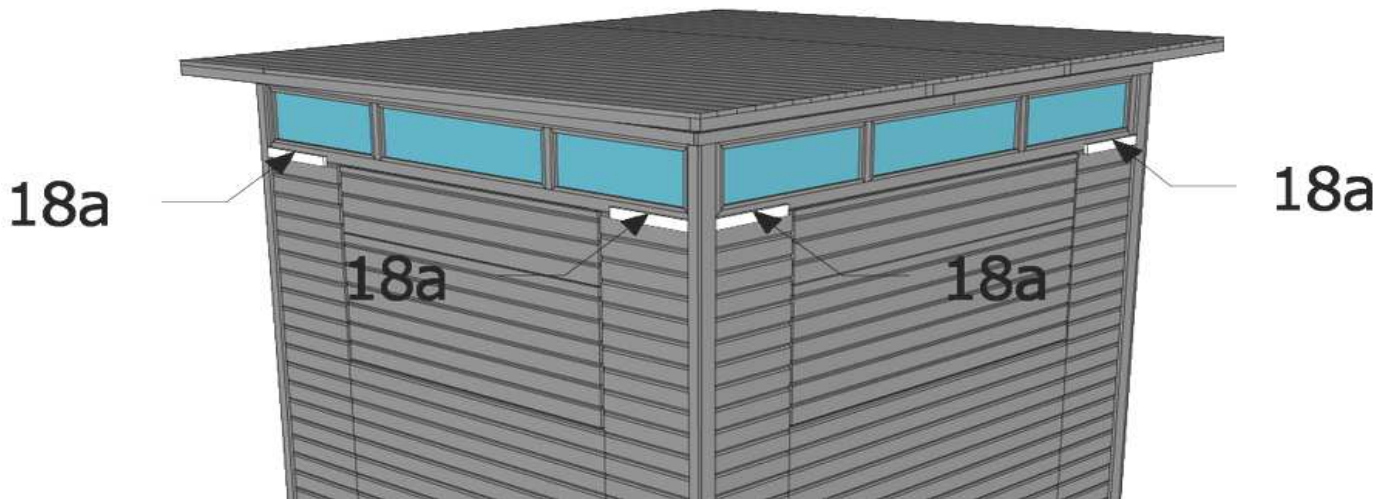


17a	+	17b	3,5 x 40	32
------------	---	------------	-----------------	-----------

Lux-stall A (274 x 240 cm.)

Assembly instruction

12/15

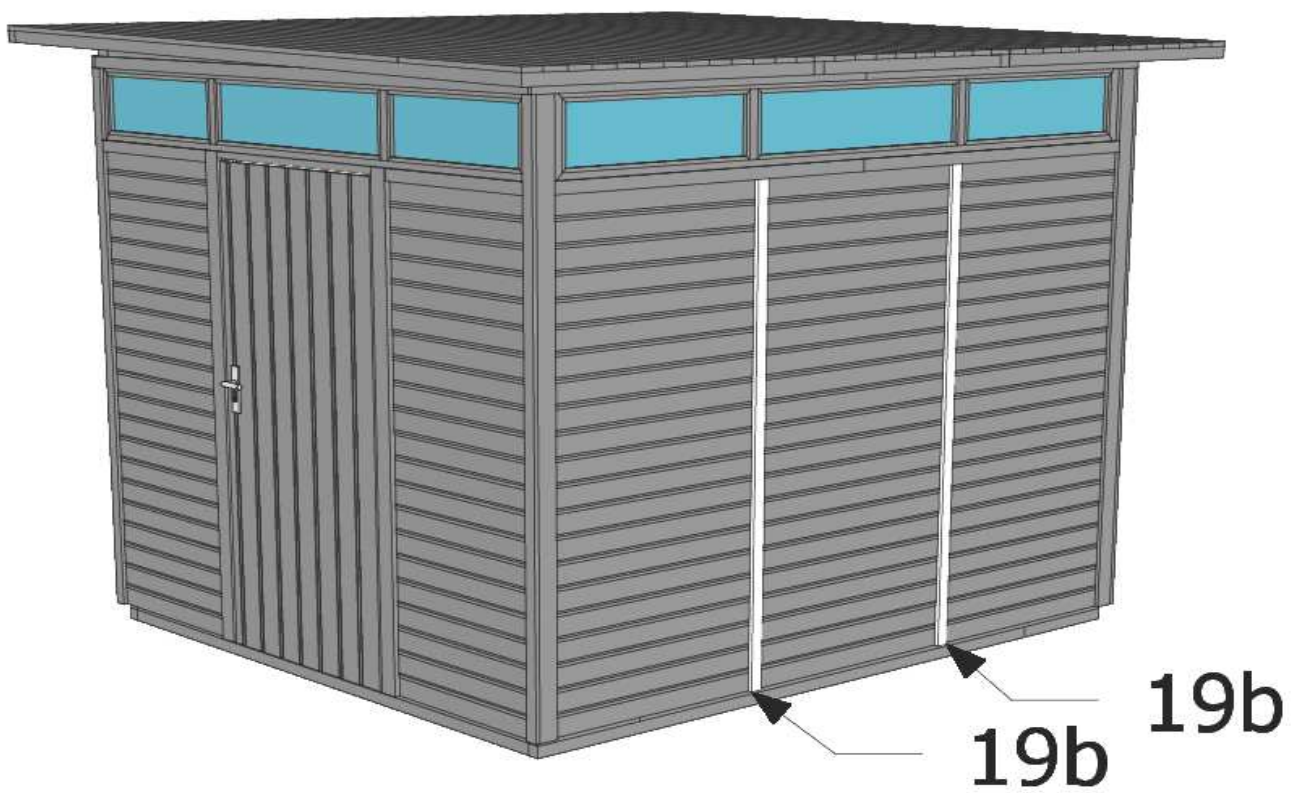
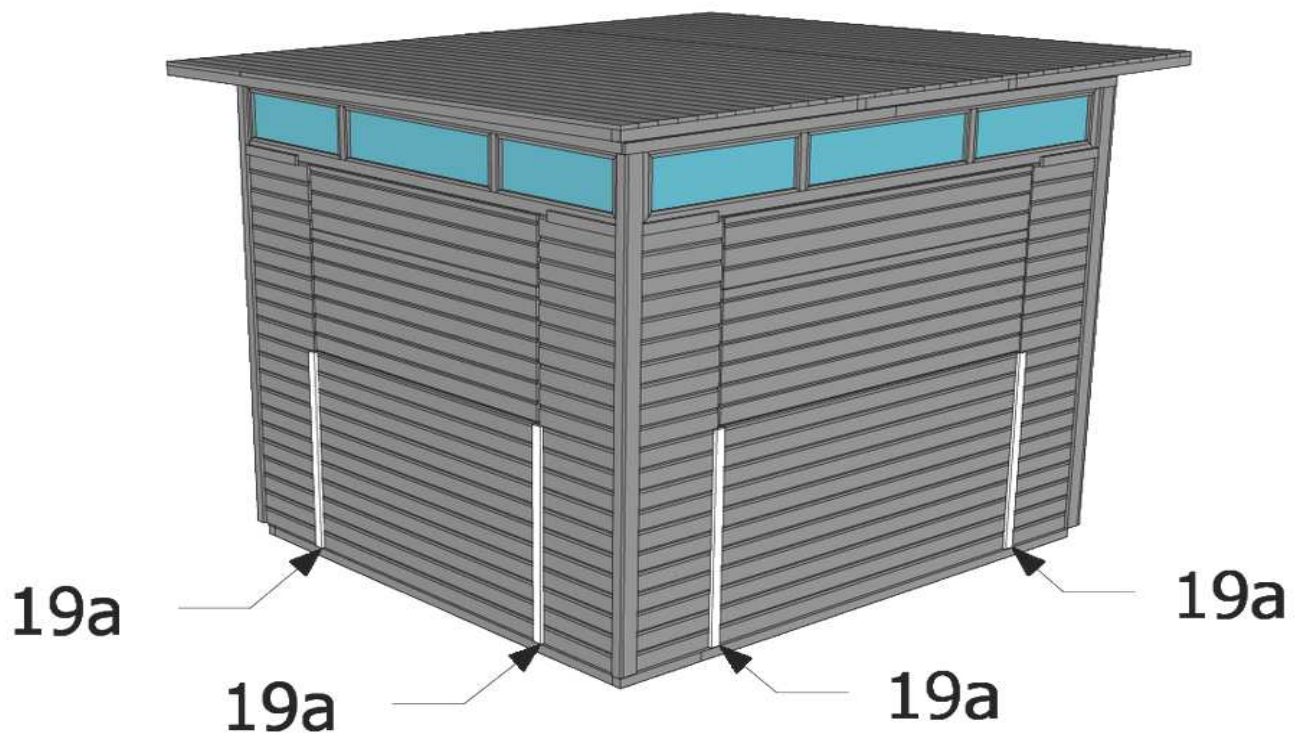


18a	+	18b	+	18c	3,5 x 40	20
------------	---	------------	---	------------	-----------------	-----------

Lux-stall A (274 x 240 cm.)

Assembly instruction

13/15

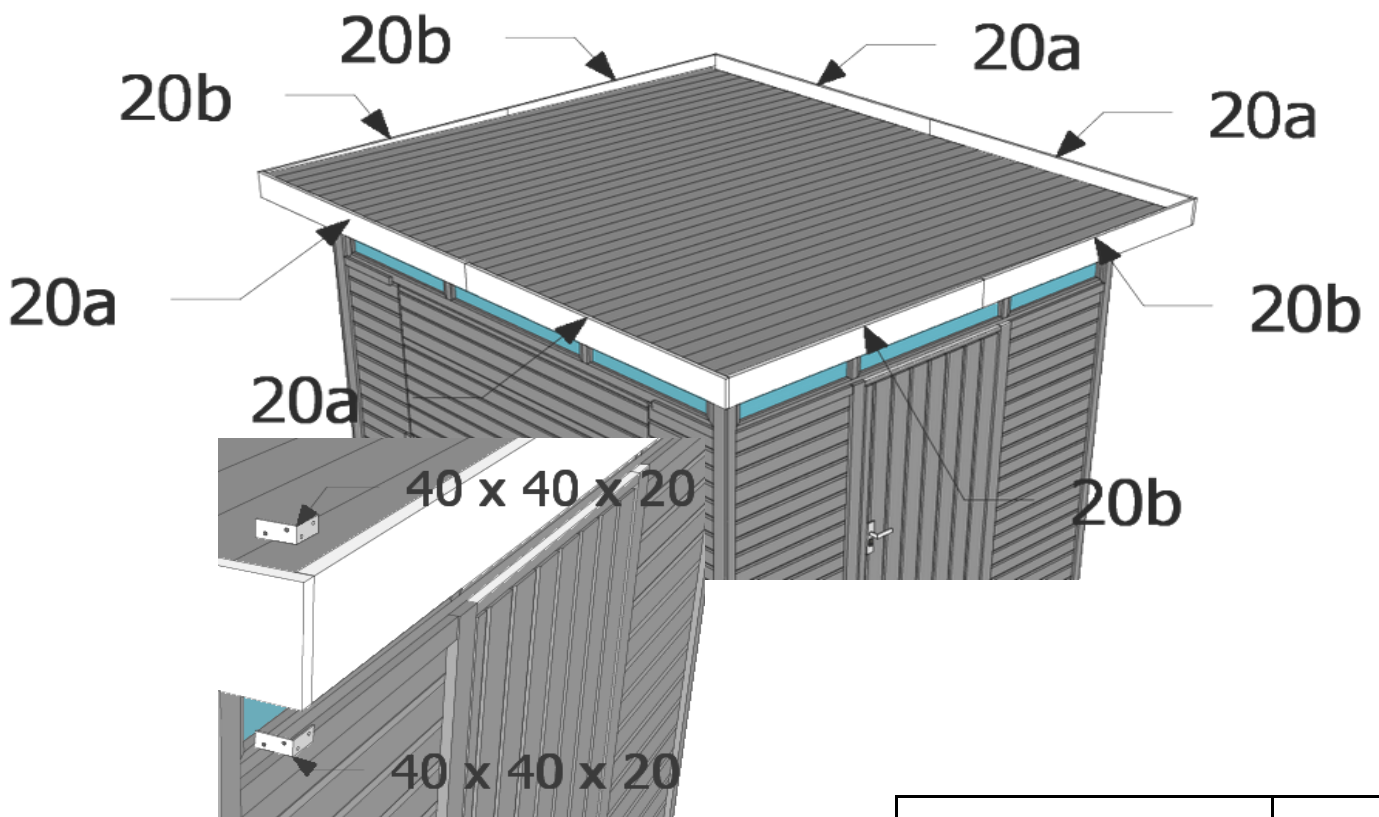
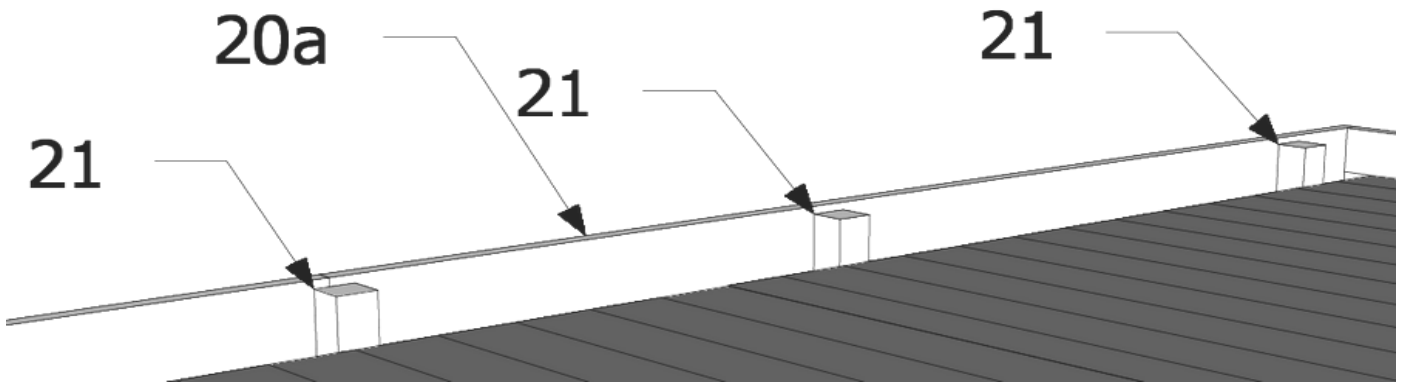


19a	+	19b	3,5 x 40	20
------------	---	------------	-----------------	-----------

Lux-stall A (274 x 240 cm.)

Assembly instruction

14/15



front / vordere Rand → **20a** + **20a**

corners / Ecken → **20a 20b**

back / hinter → + **21**

+ **20a** + **20b**

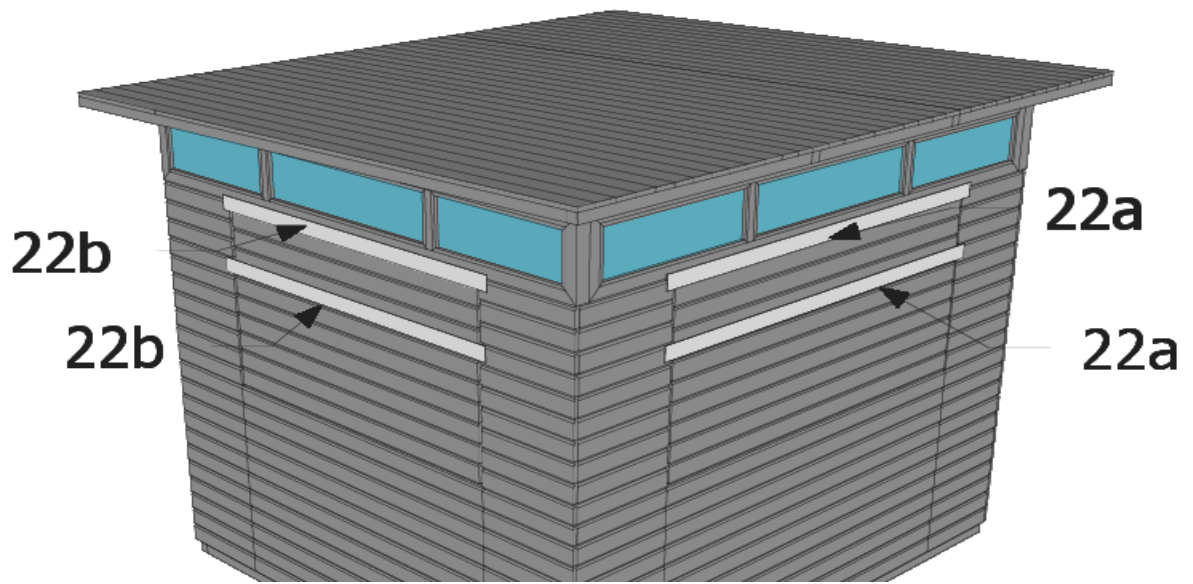
back / hinter → **21** + **20a**

20 x 80	2
3,5 x 16	8
40 x 40 x 20	8
3,5 x 16	32
4,5 x 80	10
3,5 x 50	32
4 x 60	12

Lux-stall A (274 x 240 cm.)

Assembly instruction

15/15



+	22a	+	22b	3,5 x 40 *)	26
---	------------	---	------------	--------------------	-----------

*) - with washer / mit Scheibe