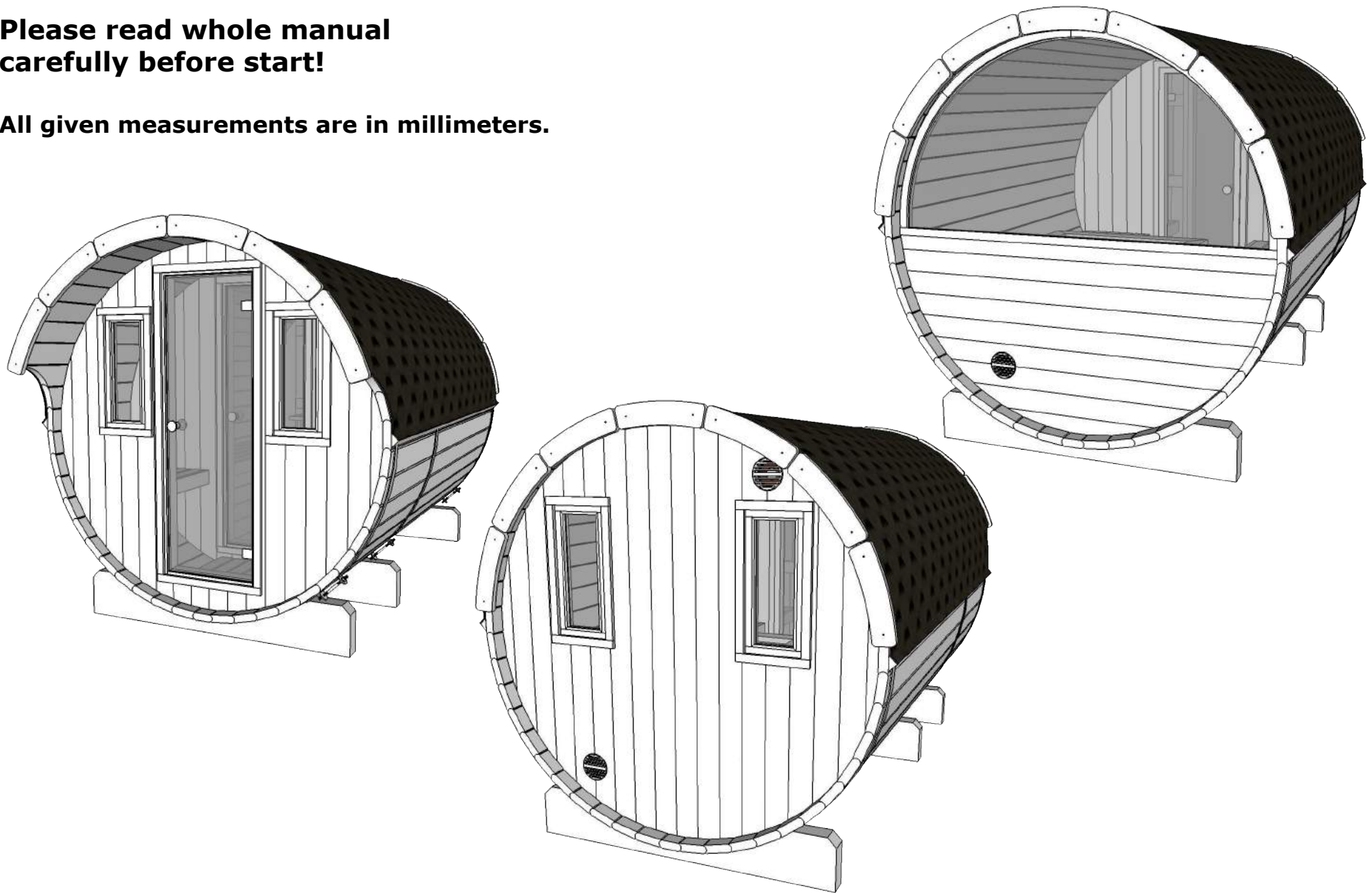


## Sauna 330,Ø200 installation

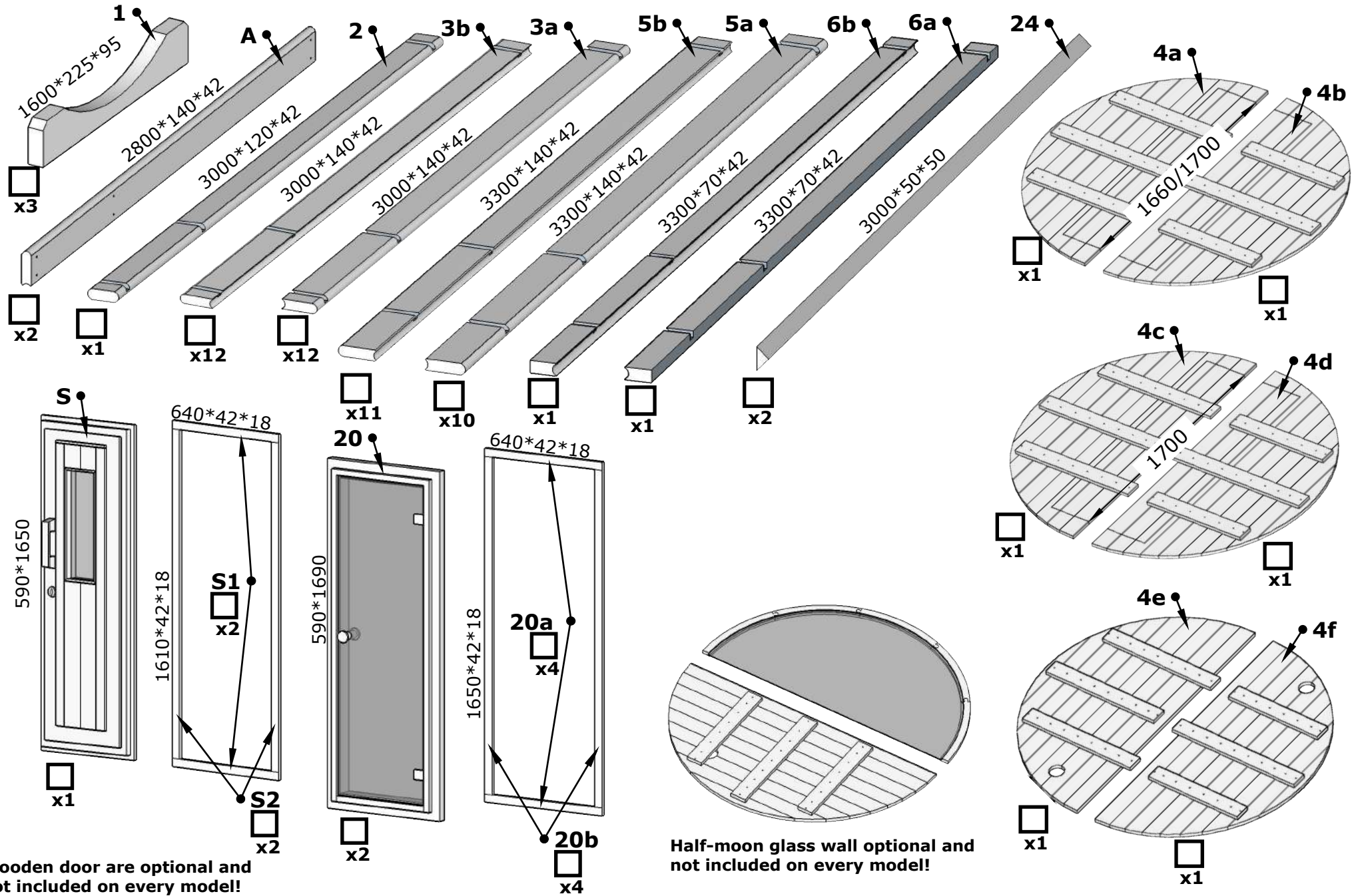
**Please read whole manual  
carefully before start!**

**All given measurements are in millimeters.**



# SAUNA 330, D200

## Details list Nr. 1

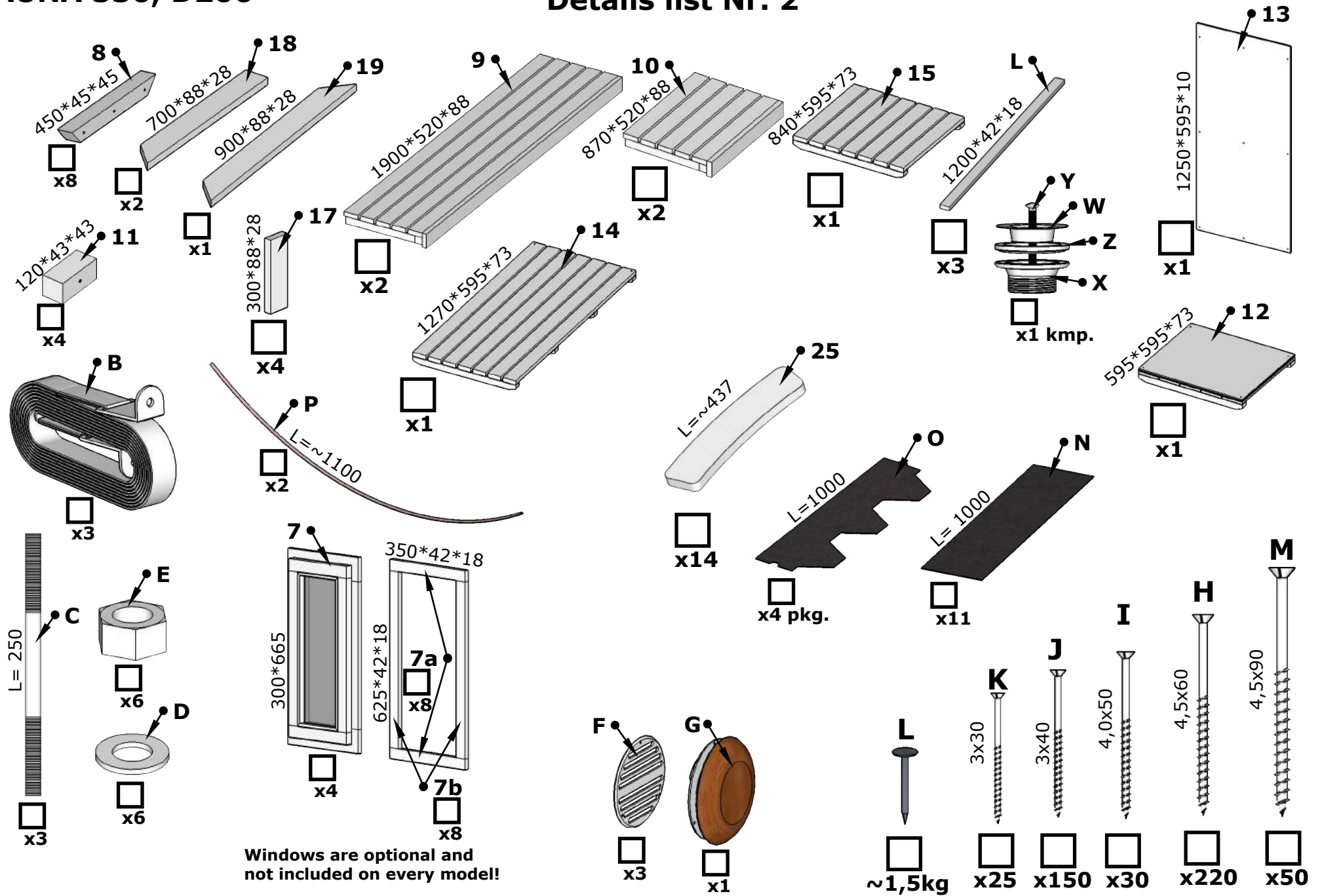


Wooden door are optional and not included on every model!

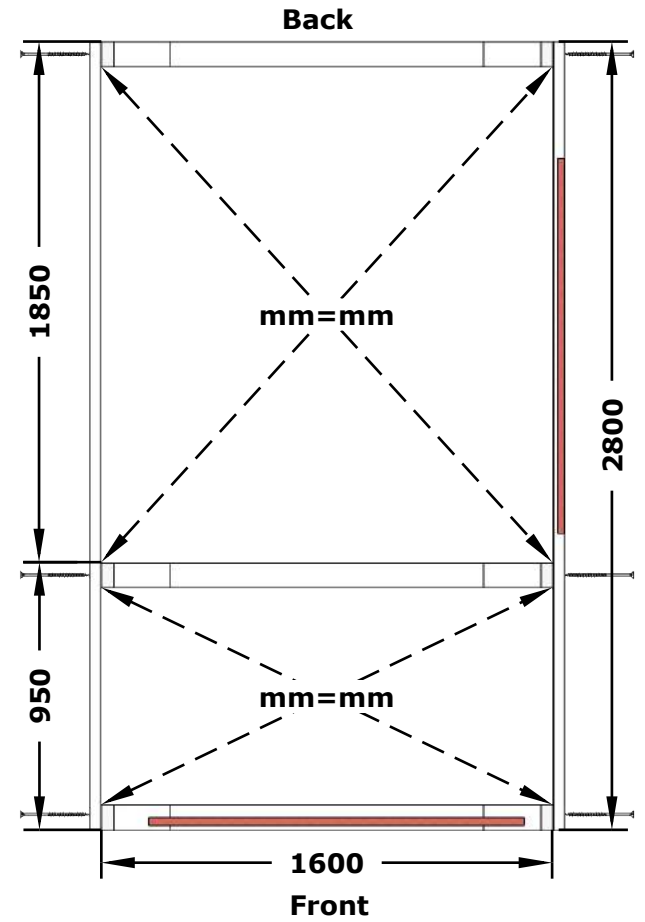
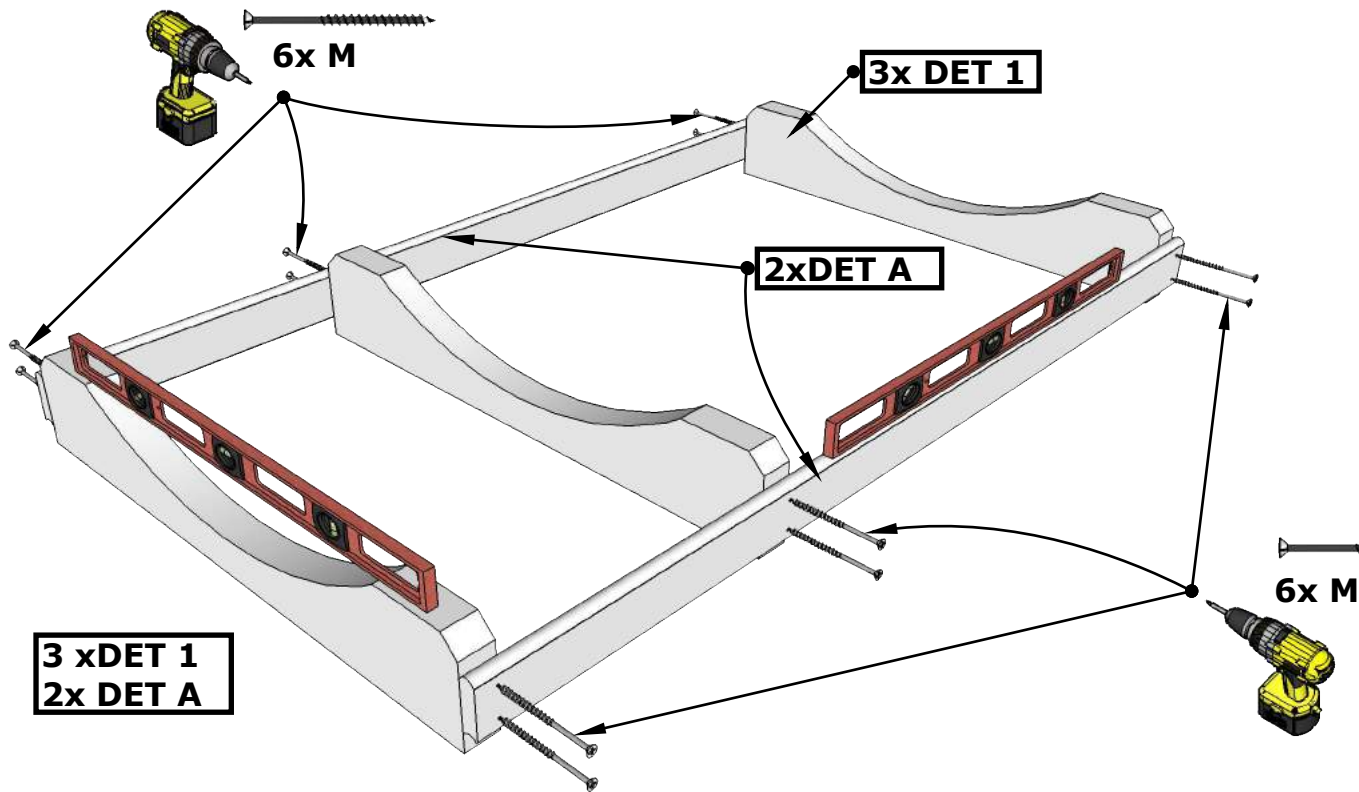
Half-moon glass wall optional and not included on every model!

# SAUNA 330, D200

## Details list Nr. 2



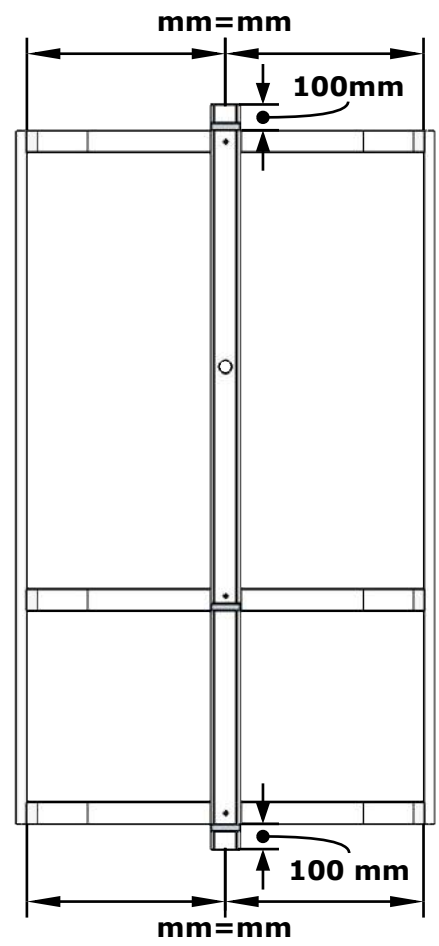
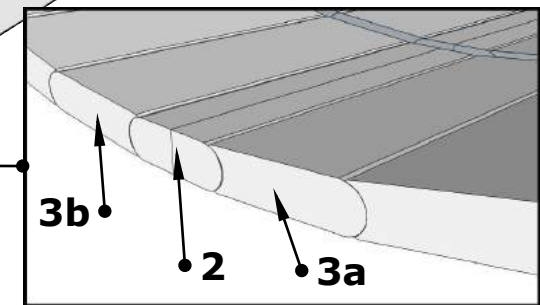
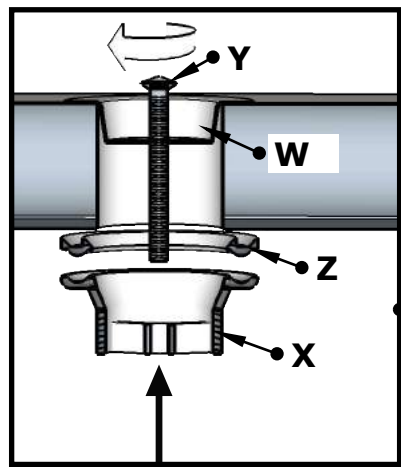
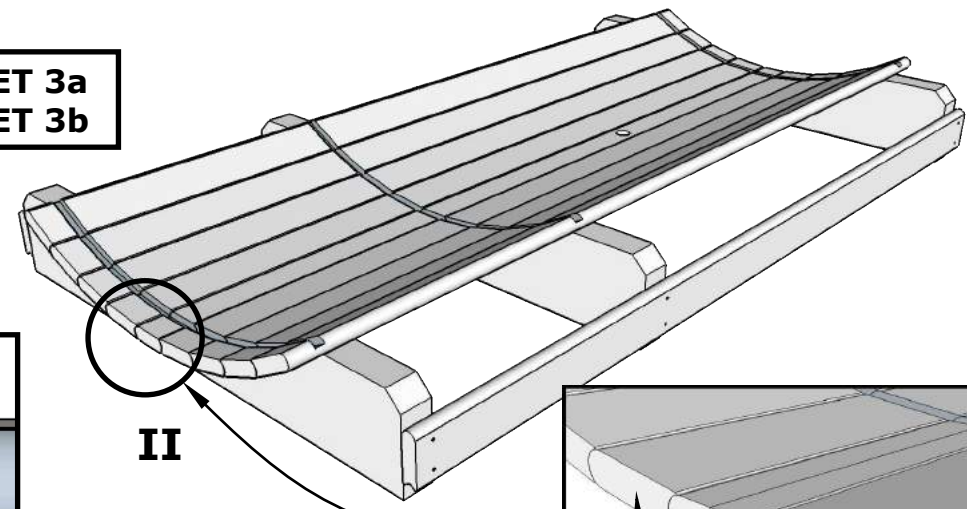
# Sauna 330, D200



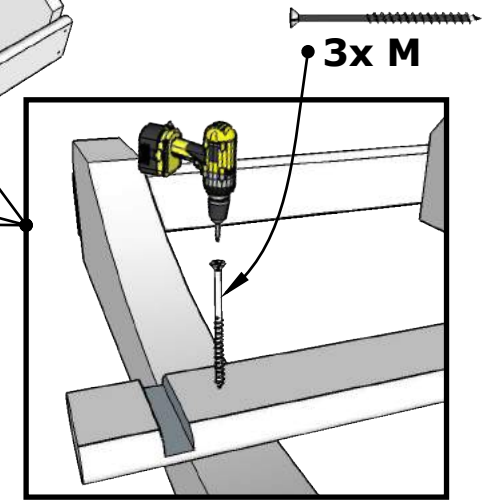
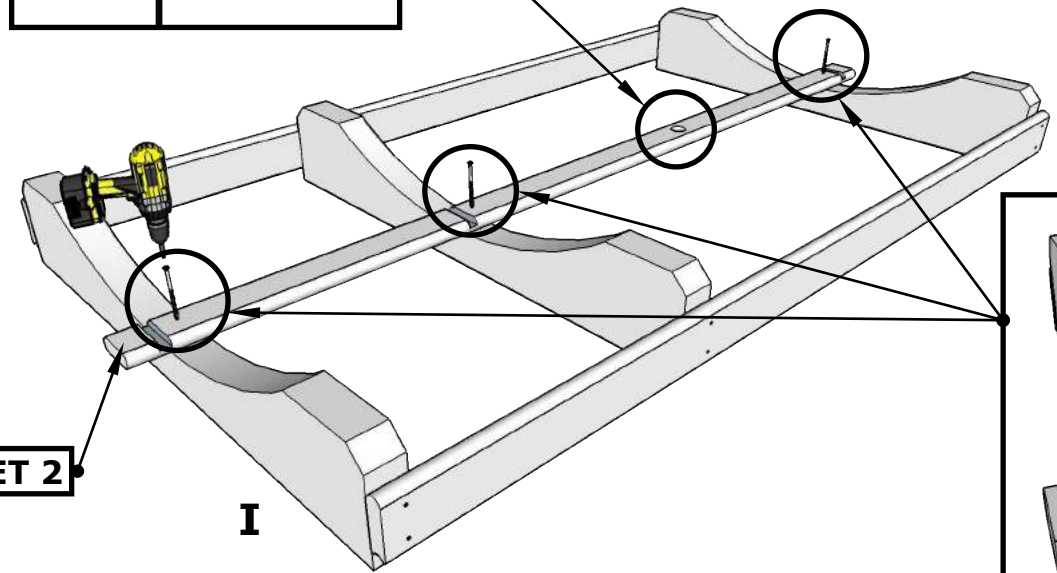
1.

Sauna 330, D200

4 x DET 3a  
4 x DET 3b

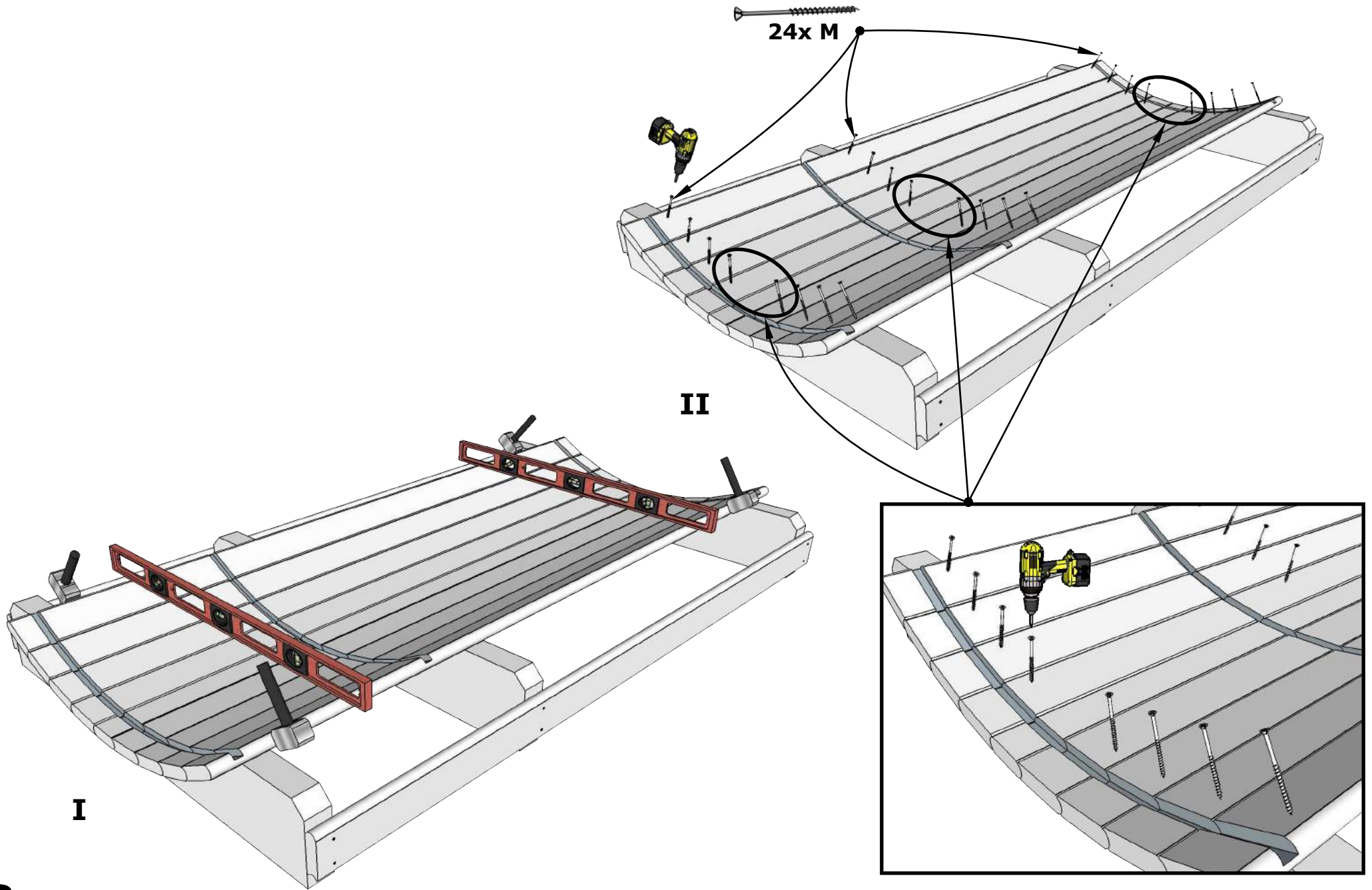


1x DET 2

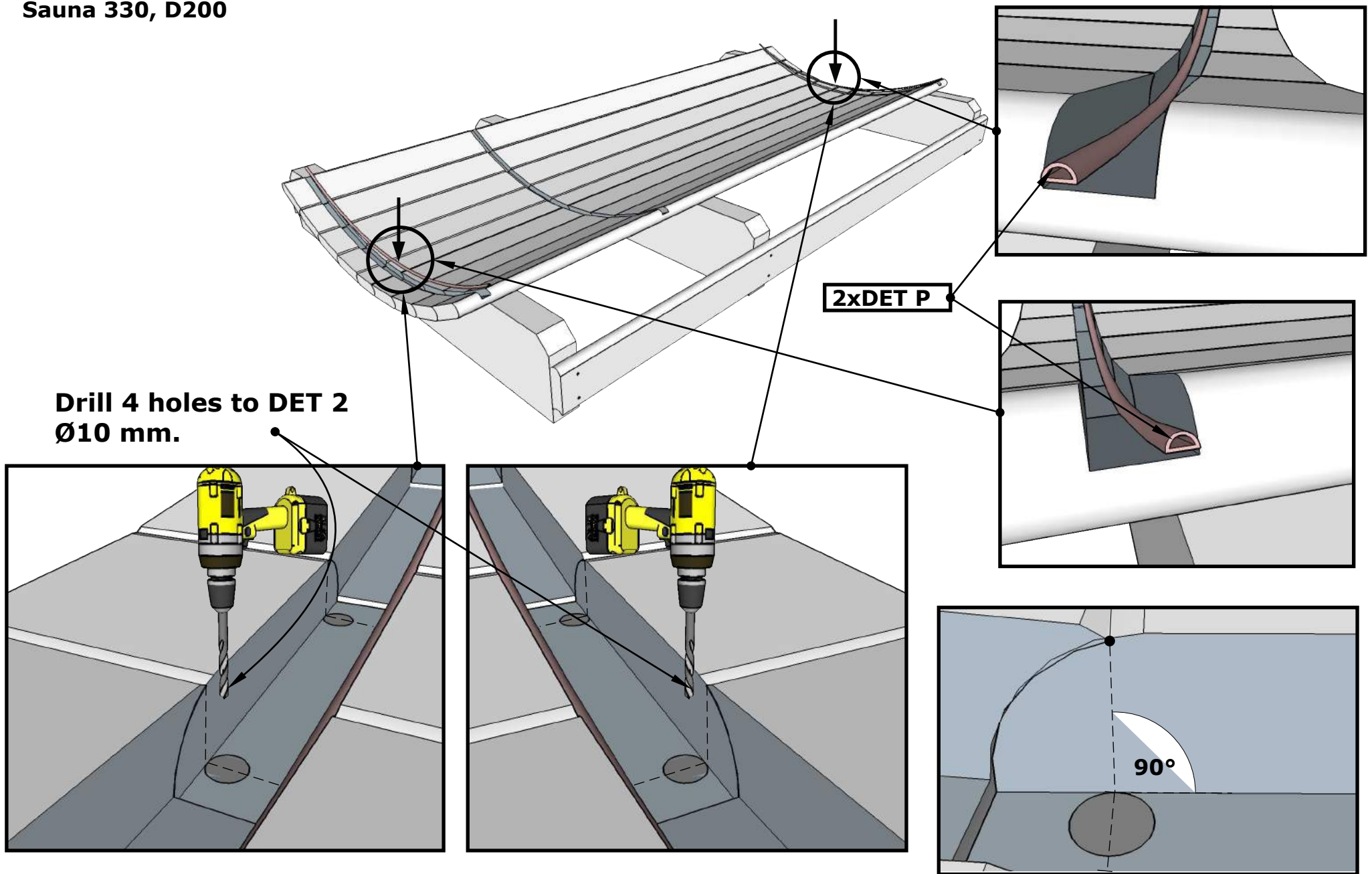


2.

Sauna 330, D200



Sauna 330, D200

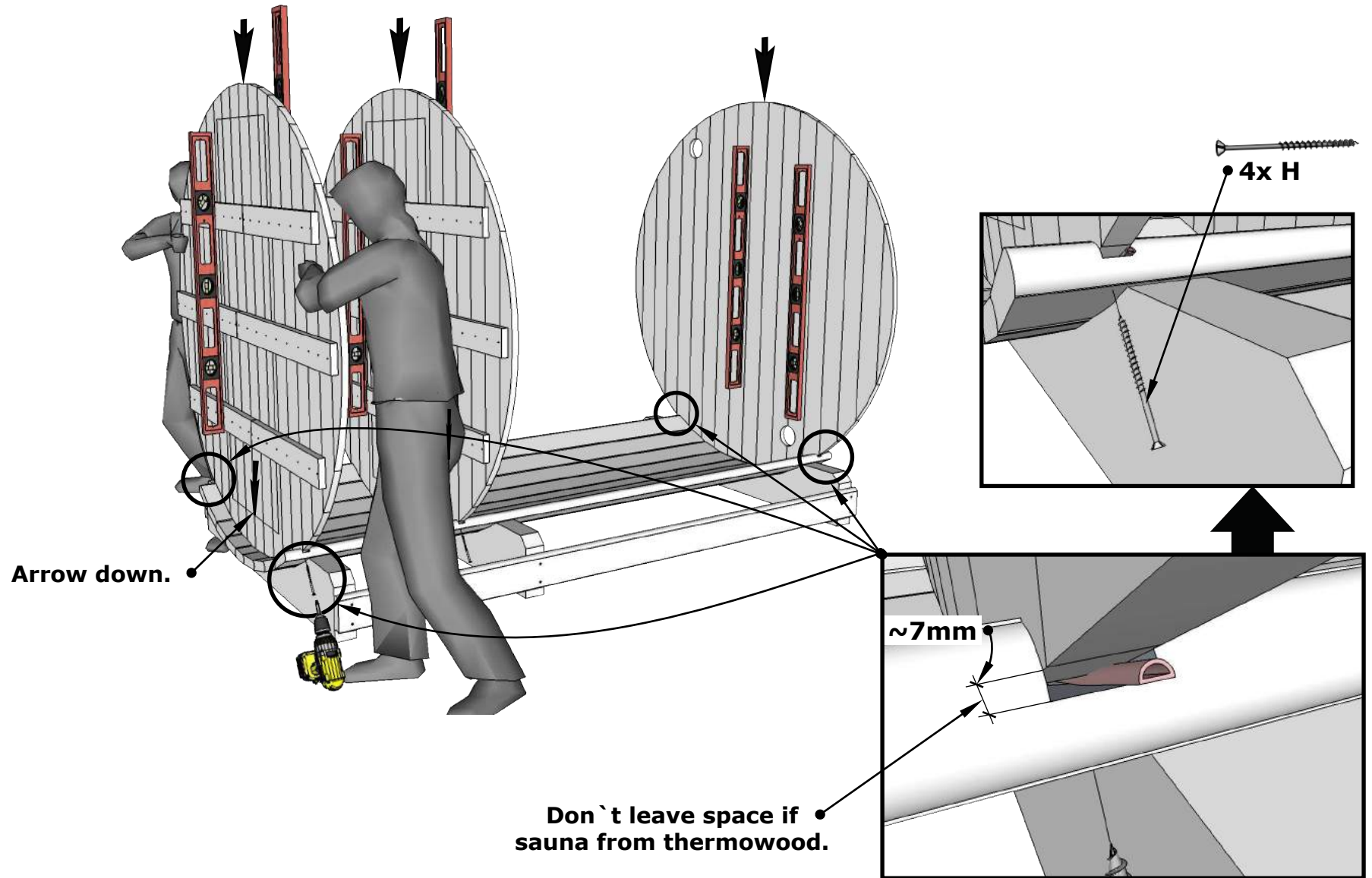


3A.





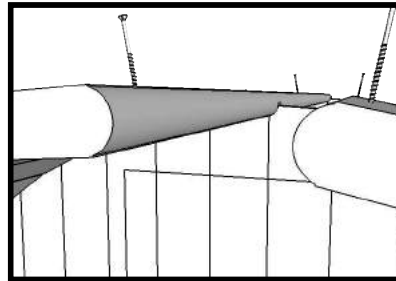
Sauna 330, D200



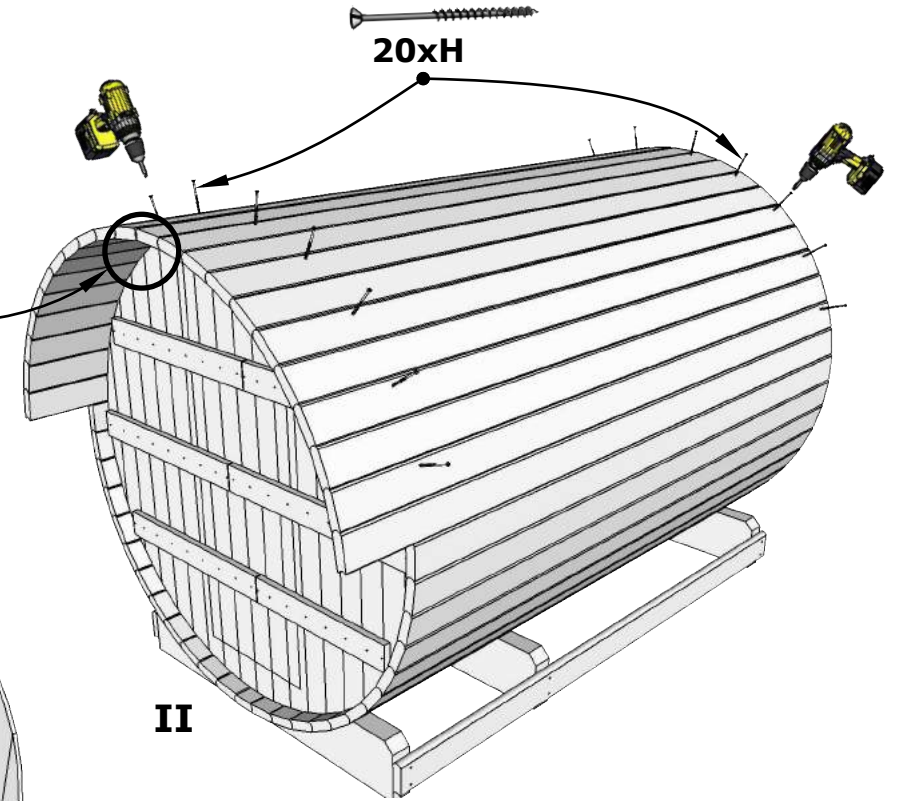
5.

Sauna 330, D200

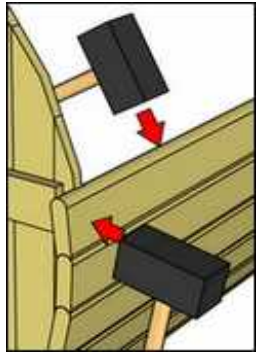
See next page.



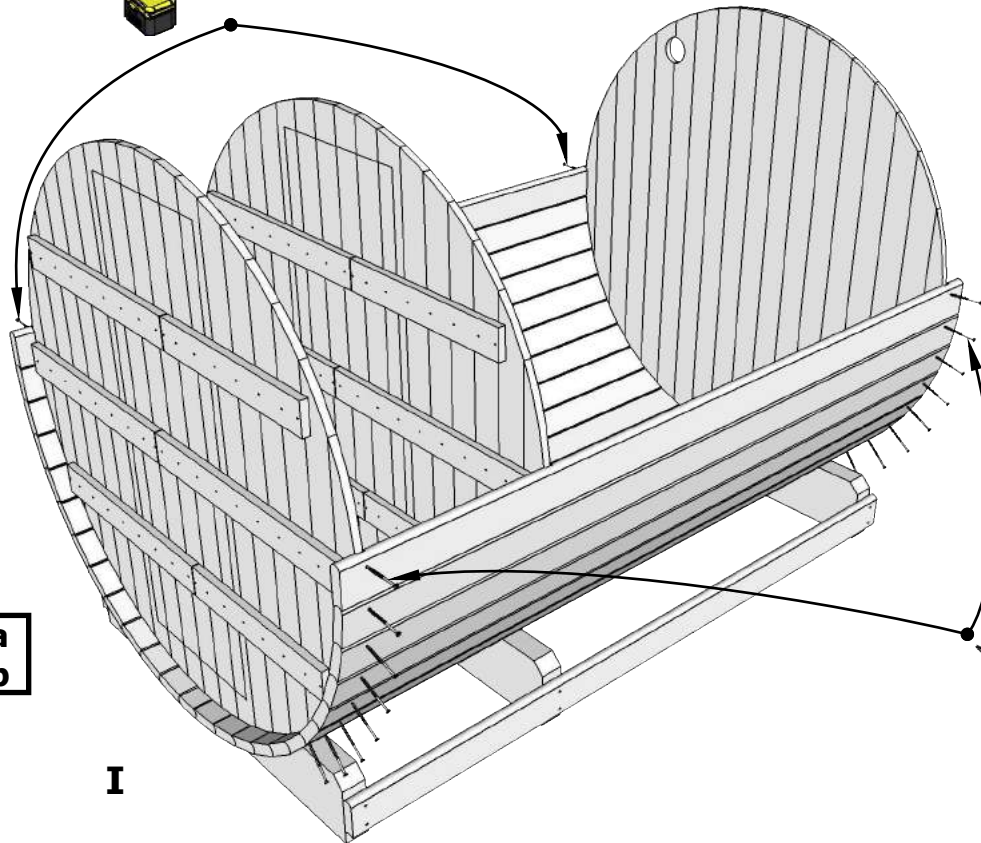
11x DET 5b  
10x DET 5a



II



16xH



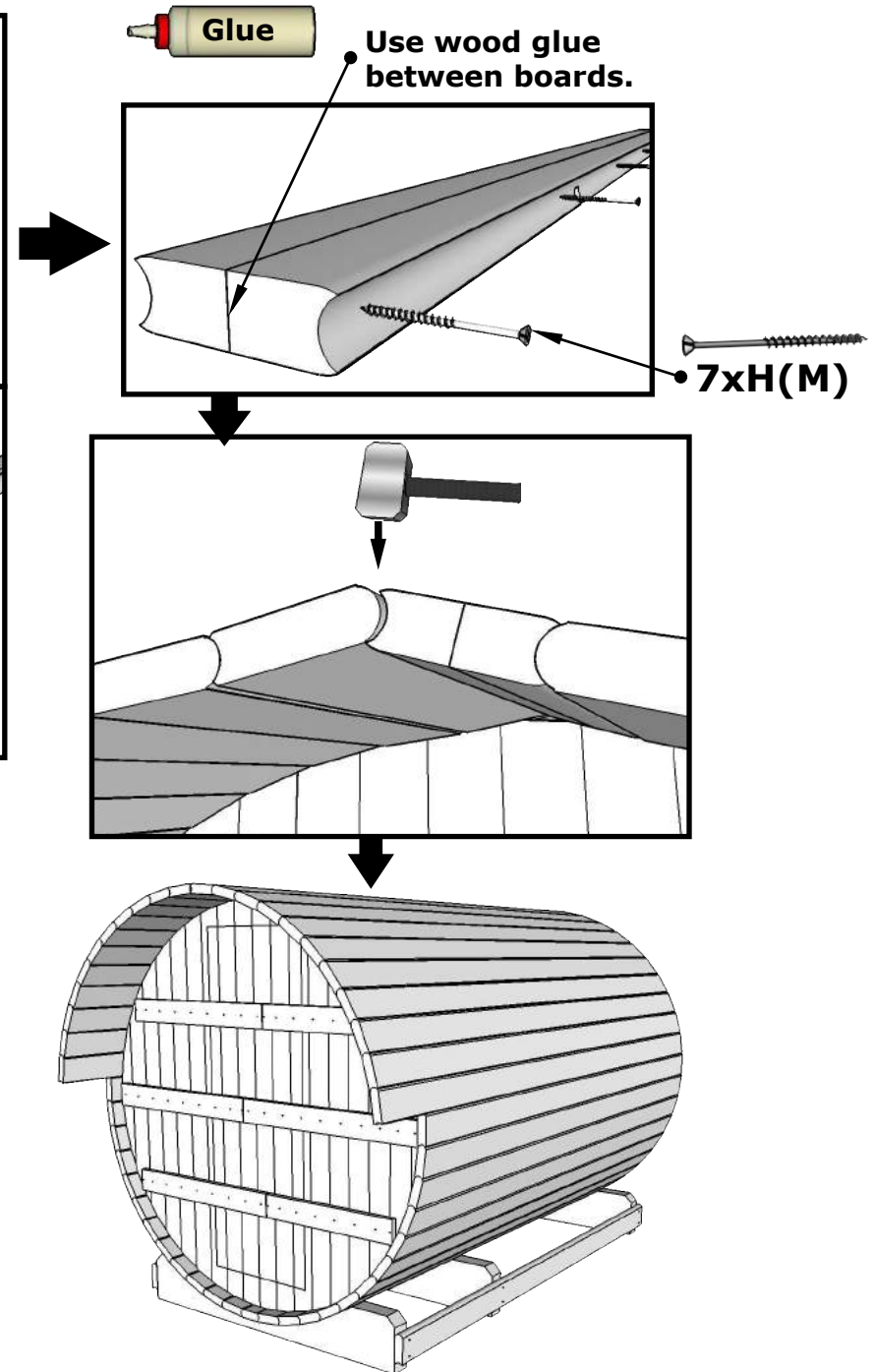
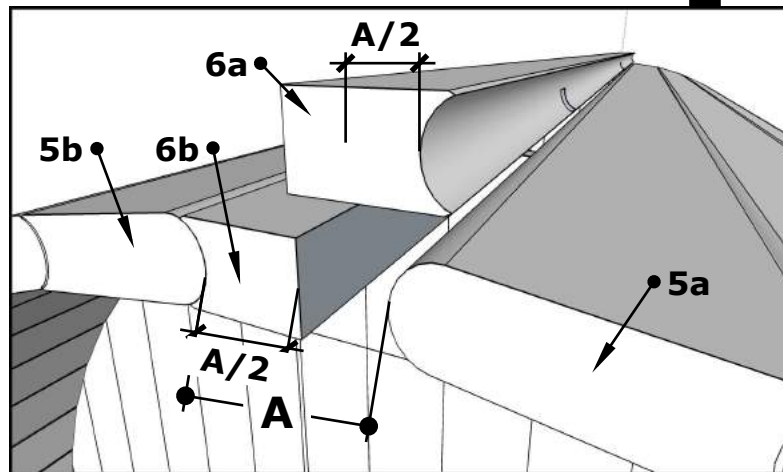
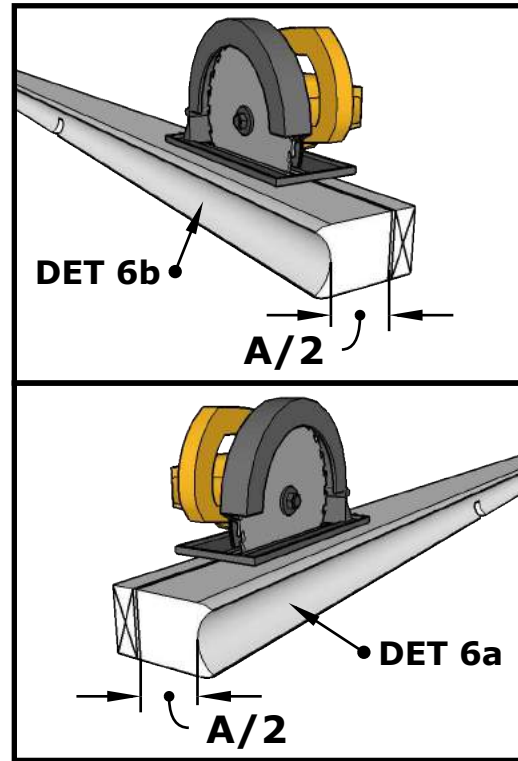
16xH

8x DET 3a  
8x DET 3b

I

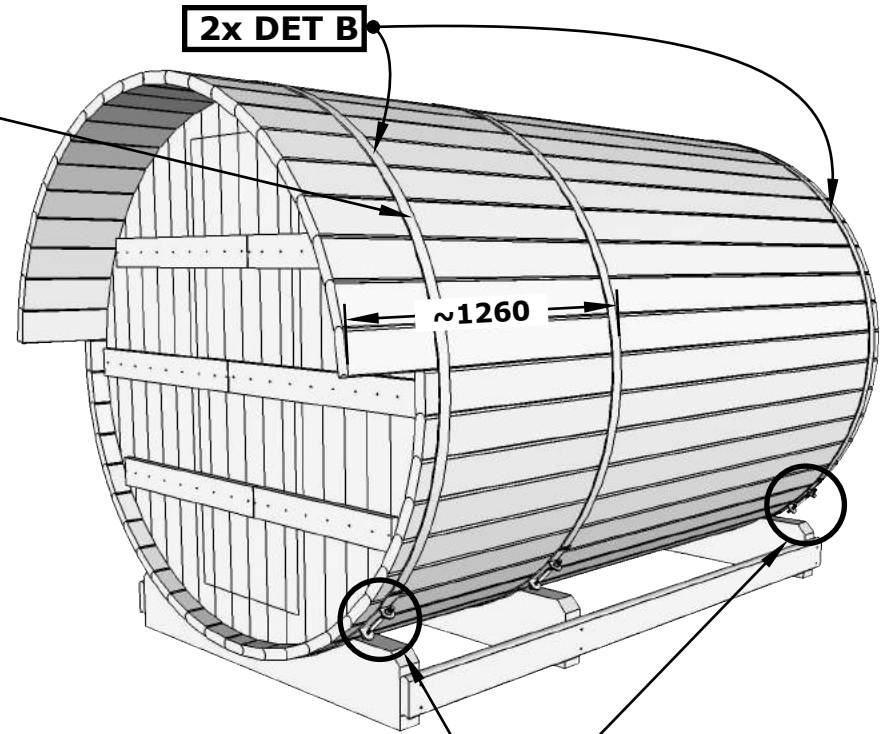
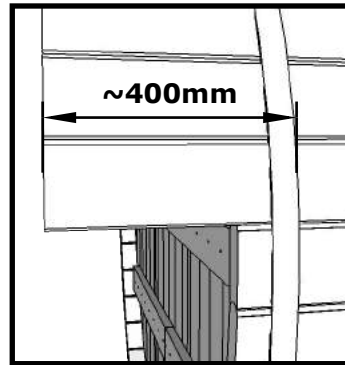
6.

**Important!**

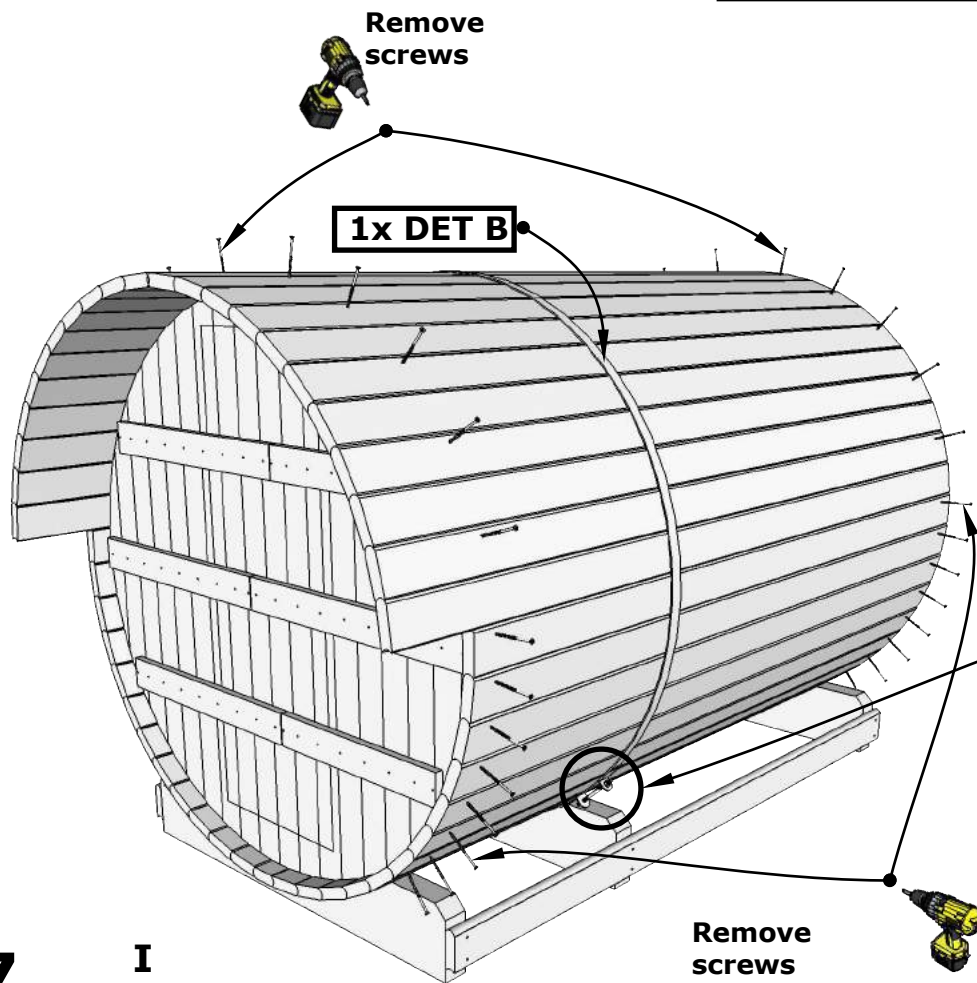


**6A.**

# Sauna 330, D200

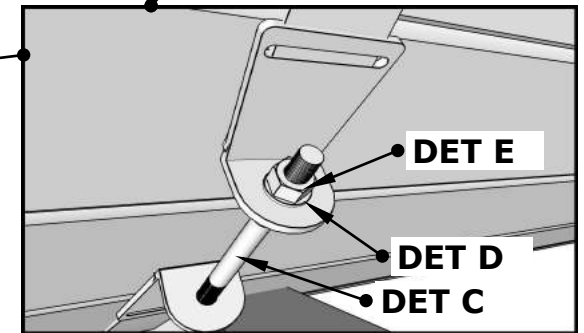


II



I

**Important! Don't remove screws if Your sauna from thermowood.**



**Attention!!!**  
During assembly and retightening the threaded rods, use oil (Würth HPS 1400 or similar) to avoid "cold welding" and it is also easier tightening.

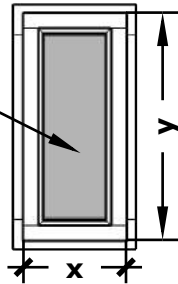


7.

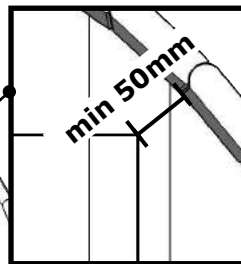
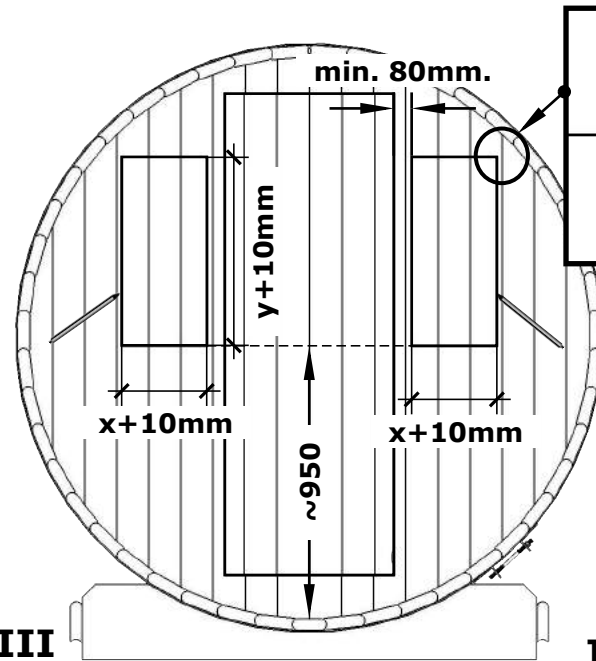
# Sauna 330, D200

Windows are optional and not included on every model! If Your model is without windows, please do not cut windows openings.

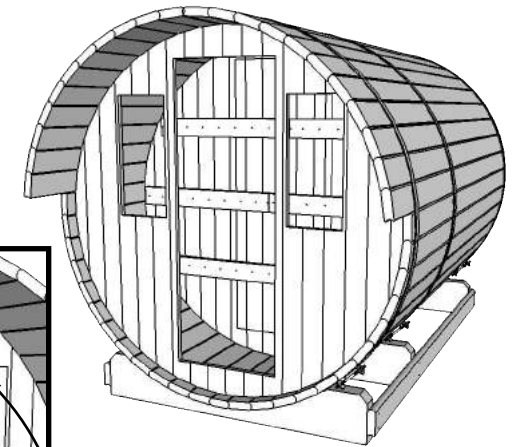
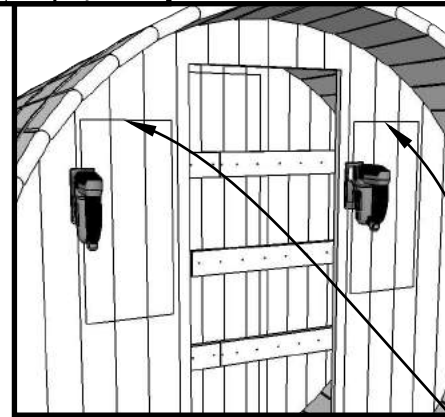
DET 7



III

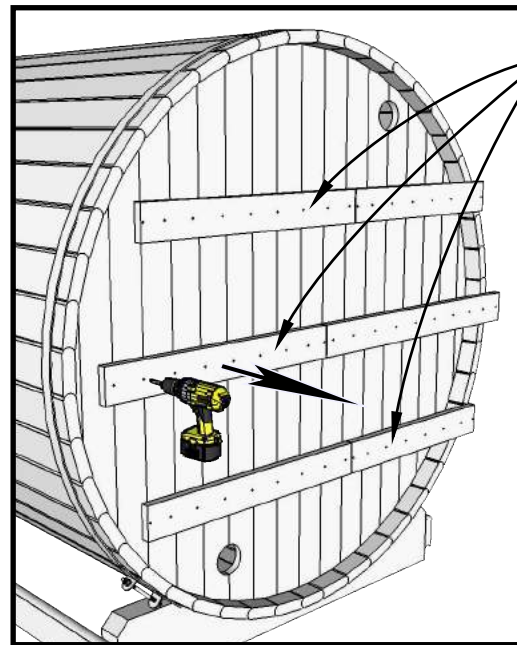
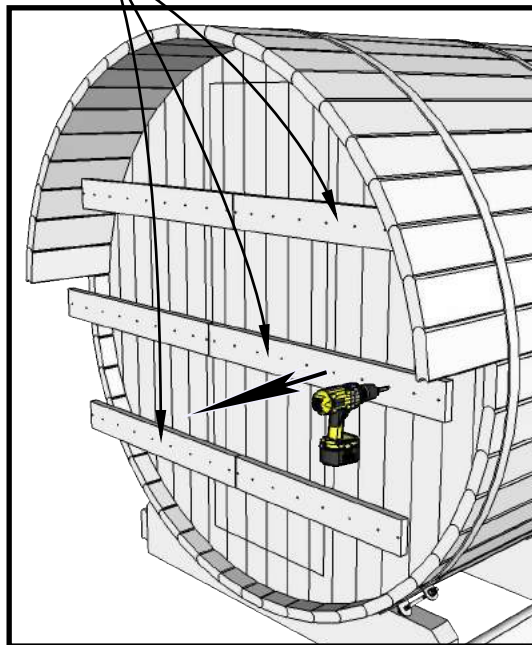


IV



V

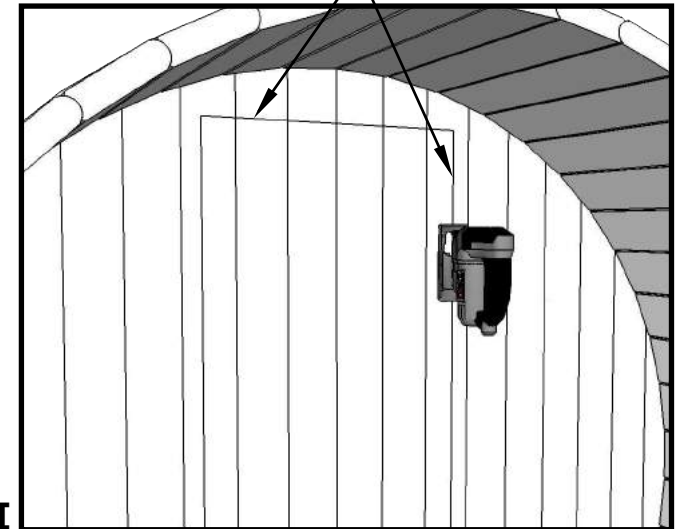
Remove all brackets



Remove all brackets

II

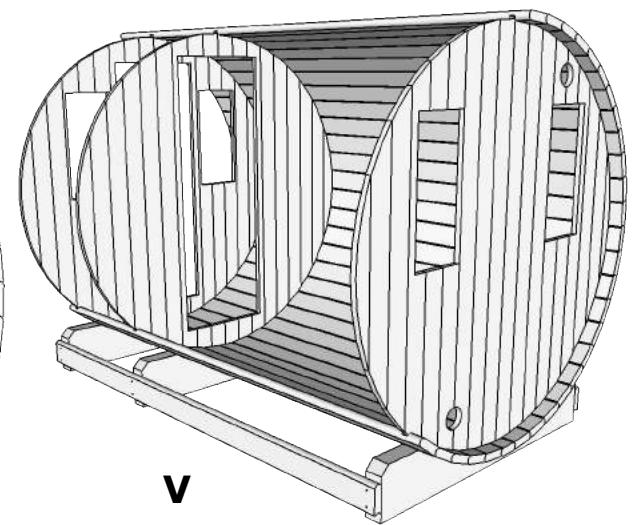
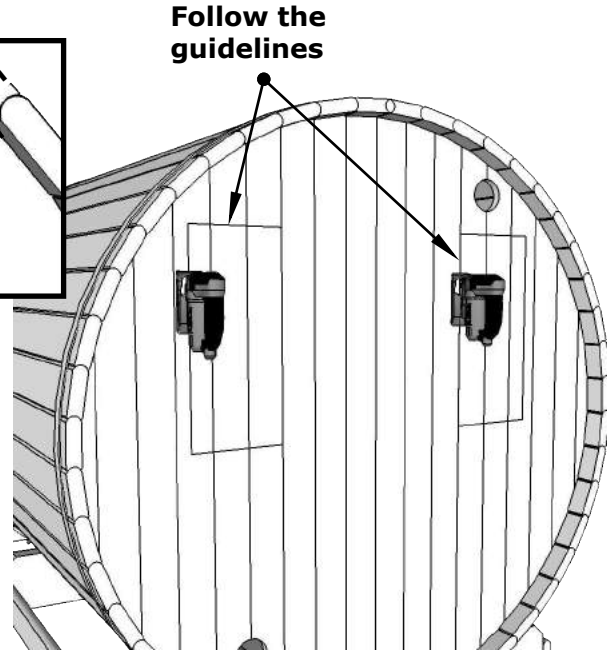
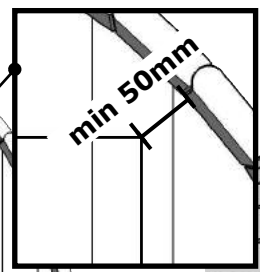
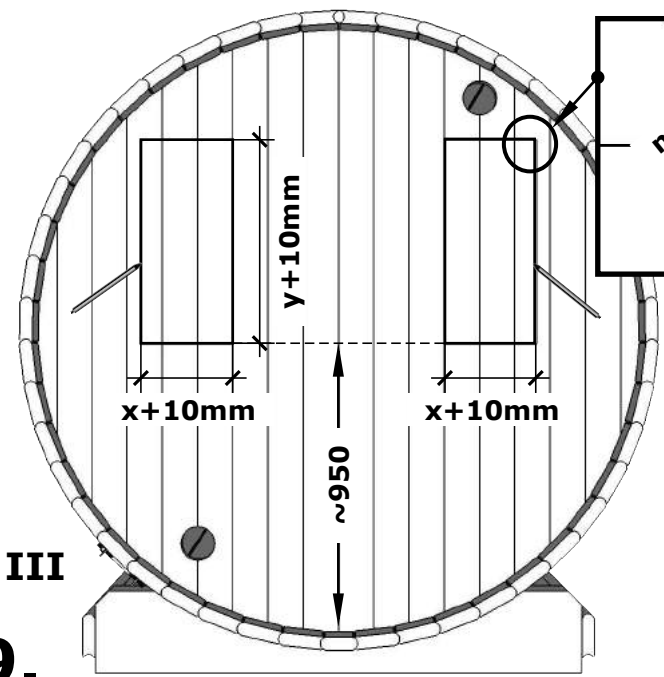
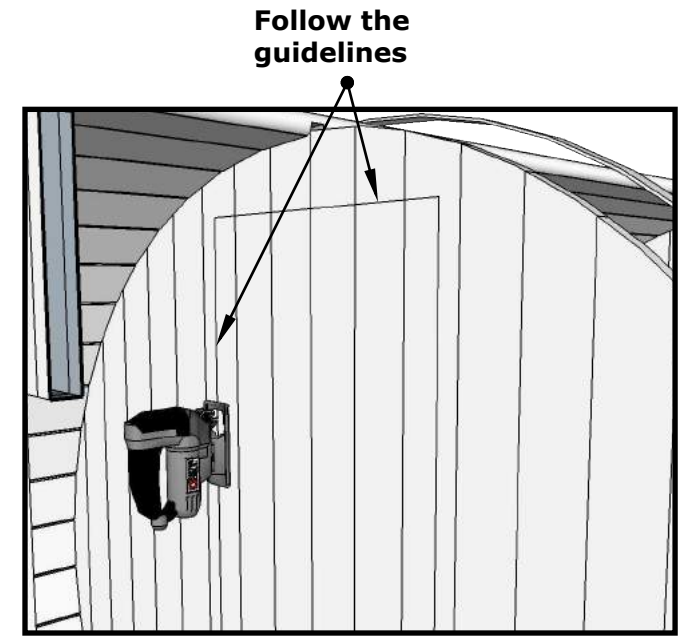
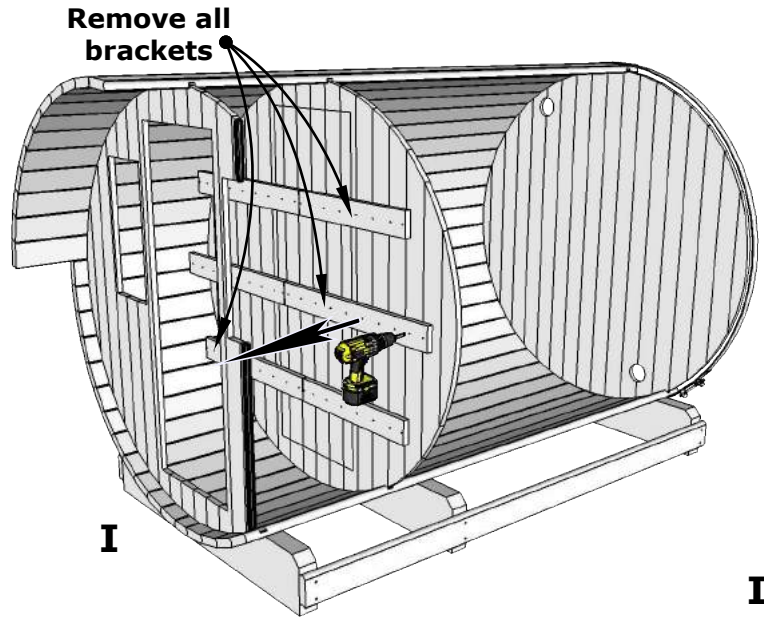
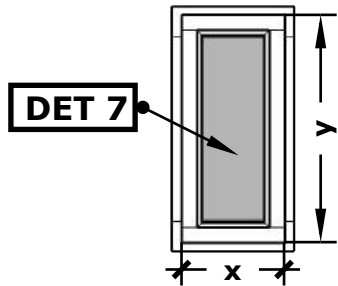
Follow the guidelines



8. I

# Sauna 330, D200

Windows are optional and not included on every model! If Your model is without windows, please do not cut windows openings.



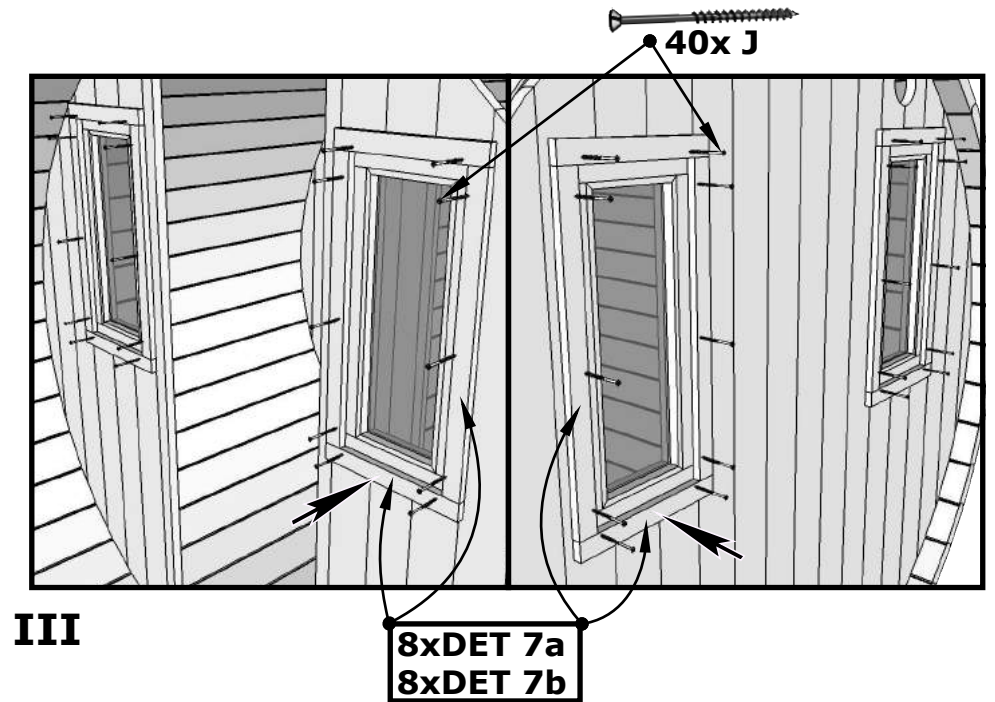
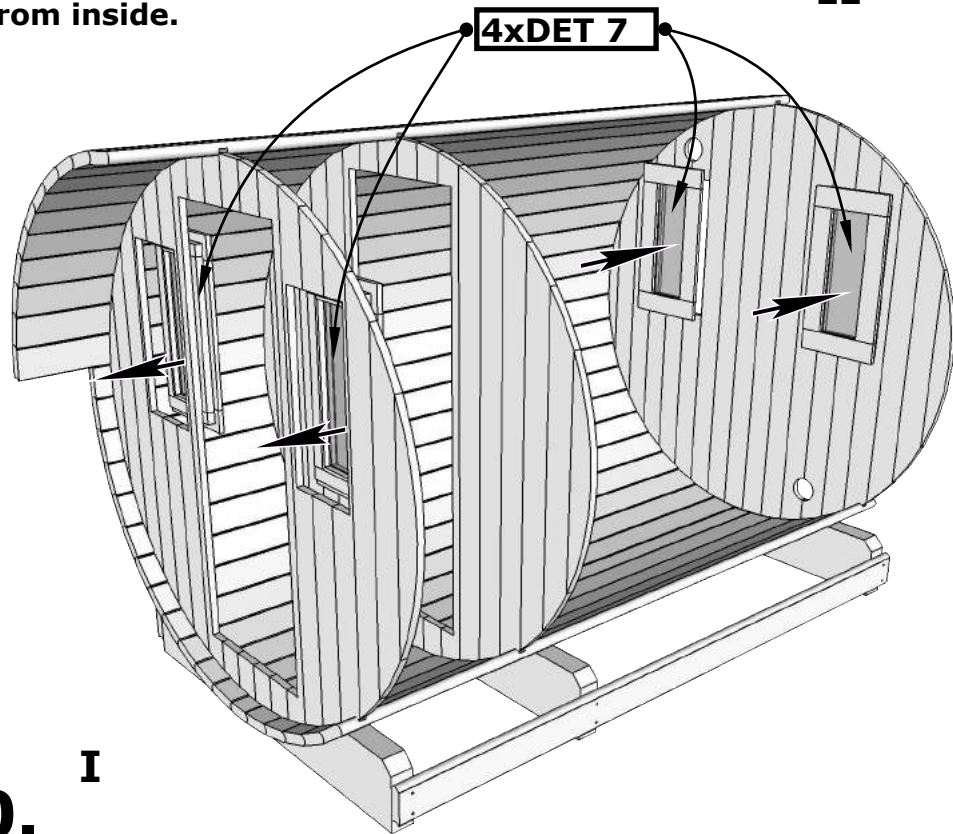
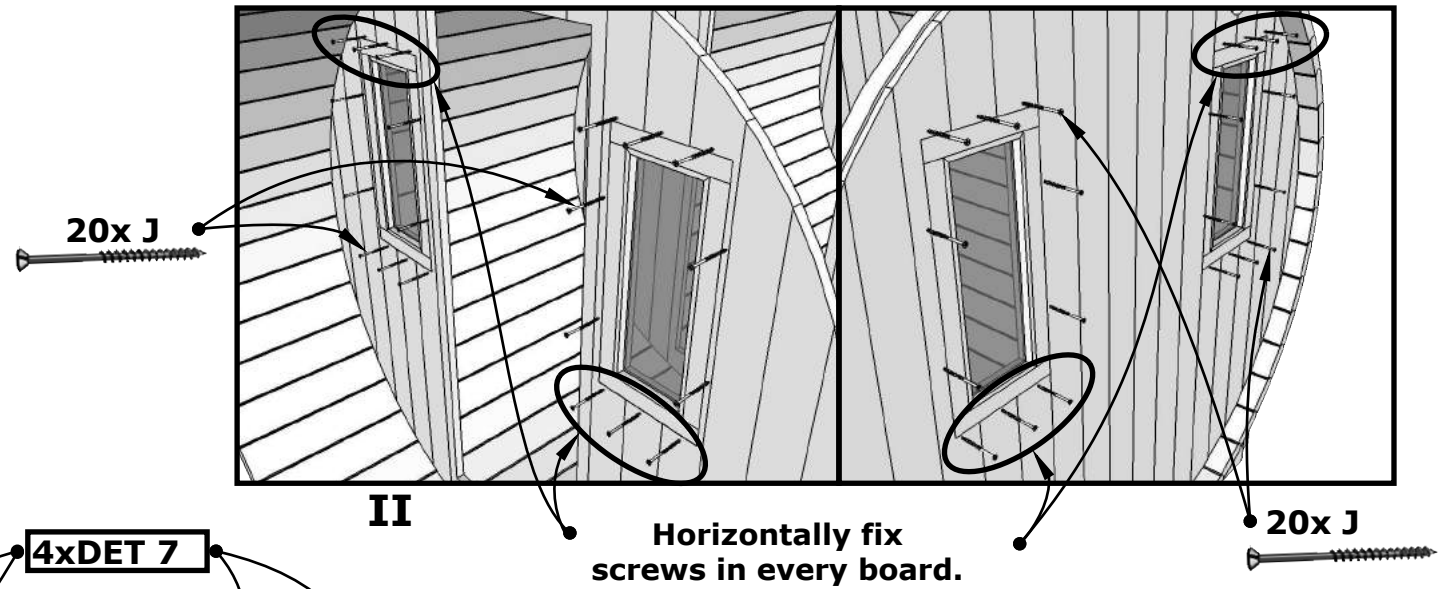
# Sauna 330, D200

Windows are optional and not included on every model!

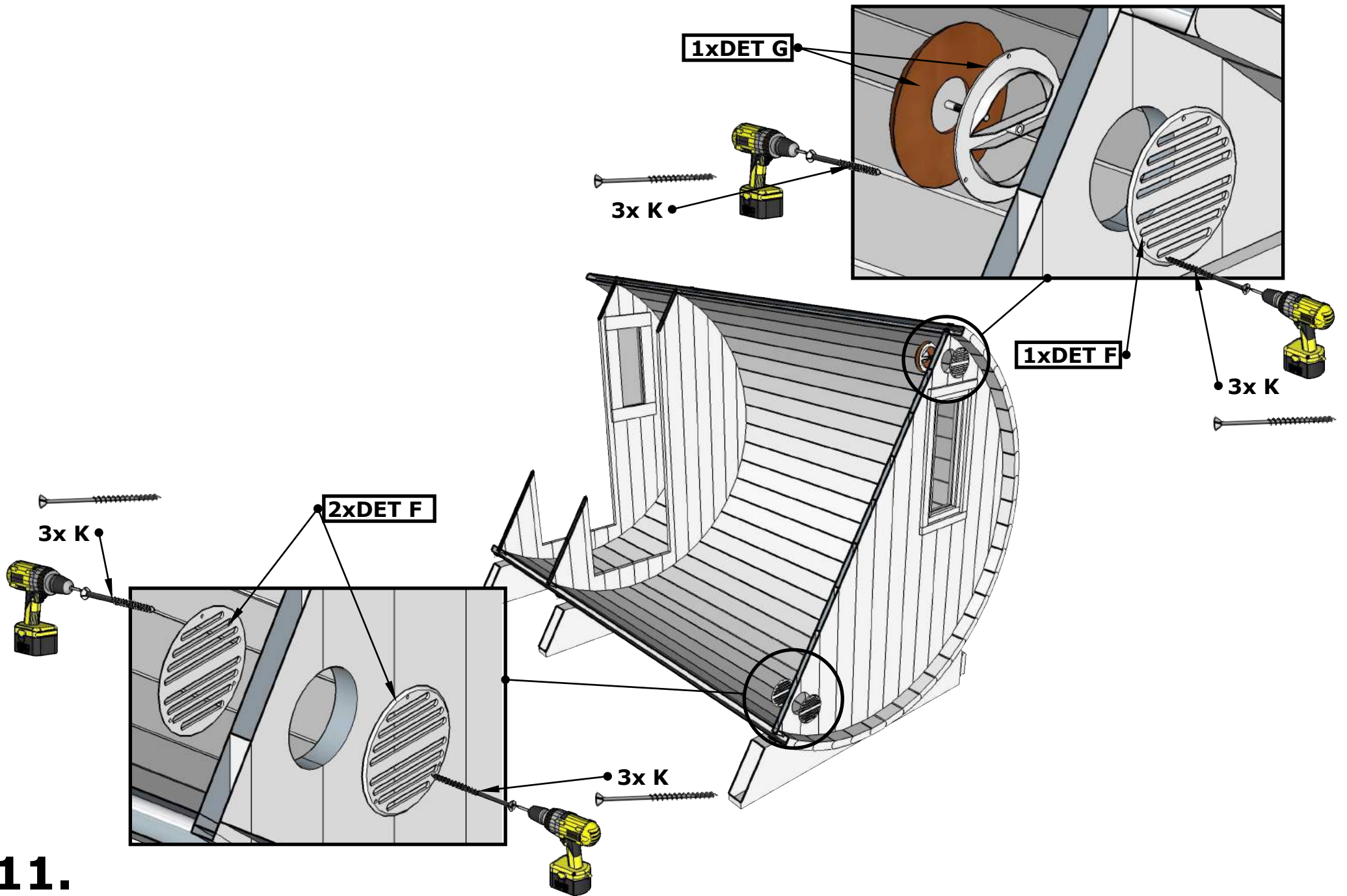


Use waterlevel.

NB! Place windows from inside.

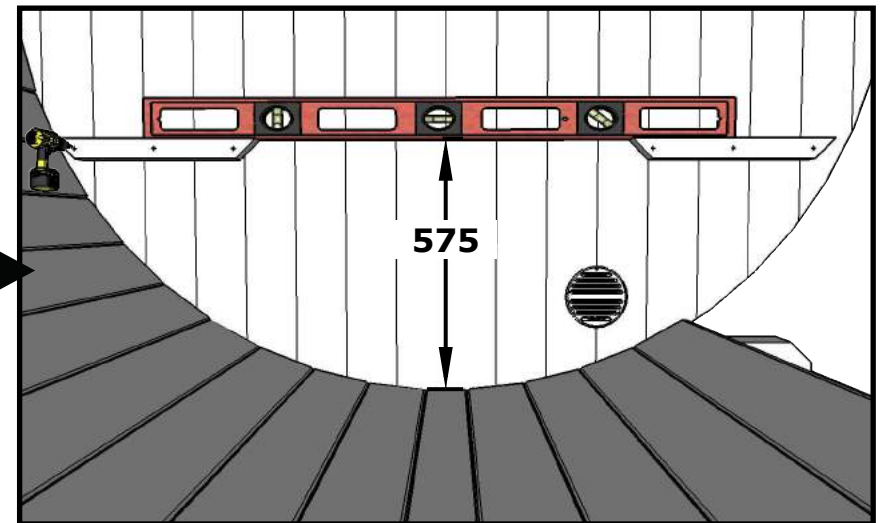
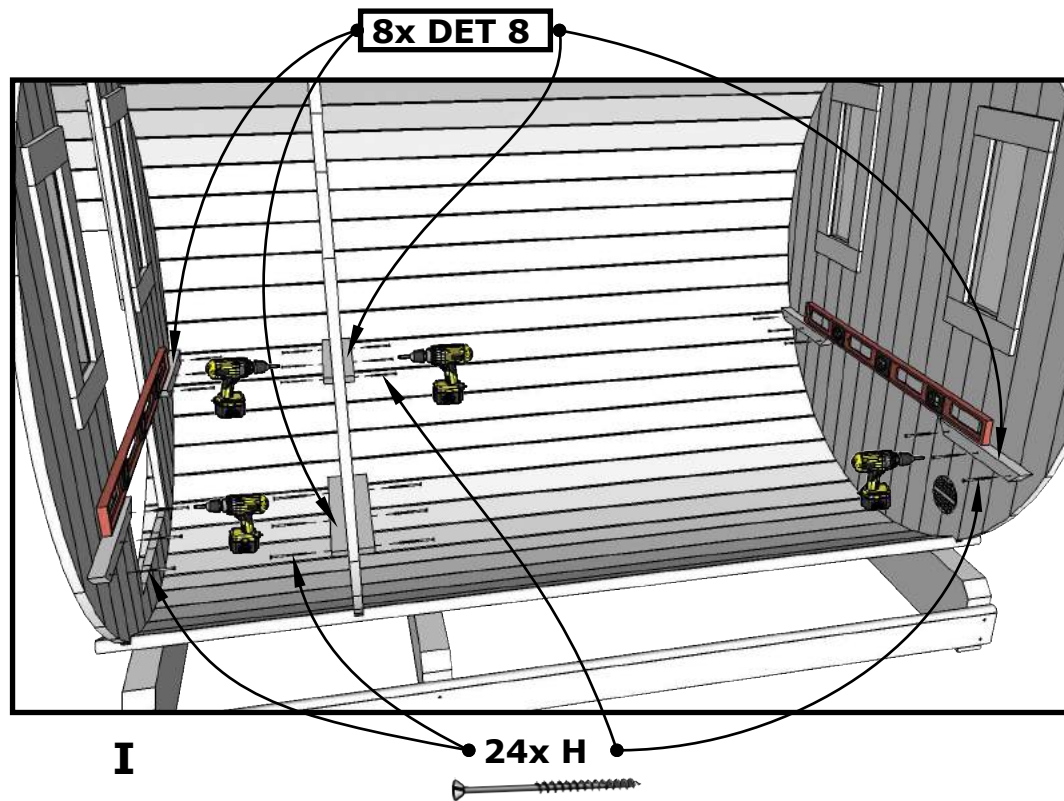
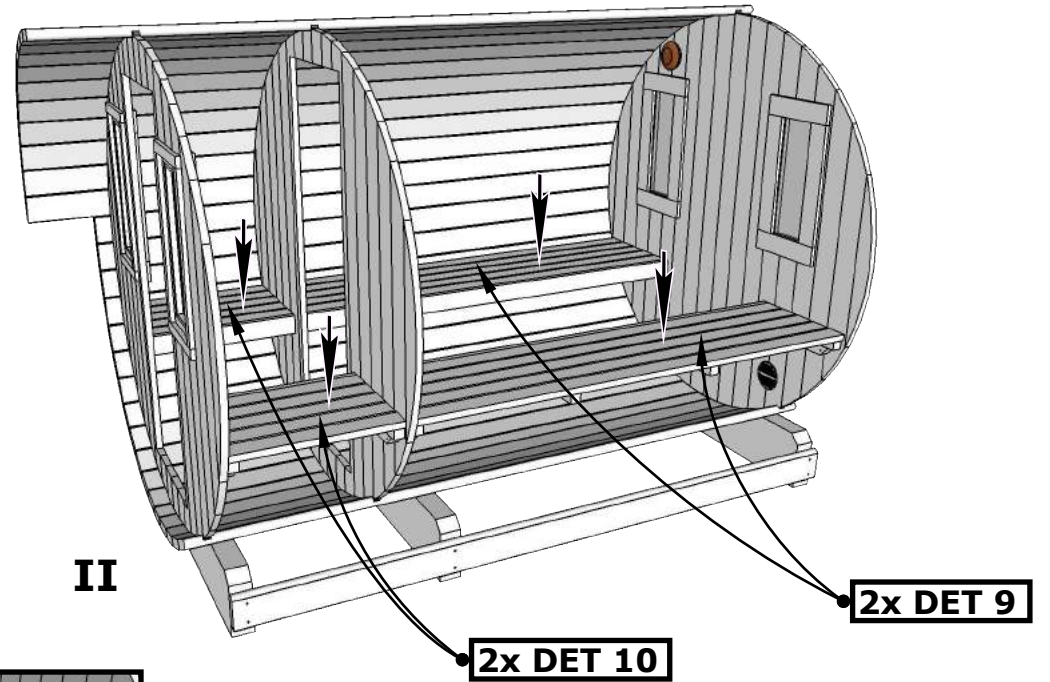


Sauna 330, D200

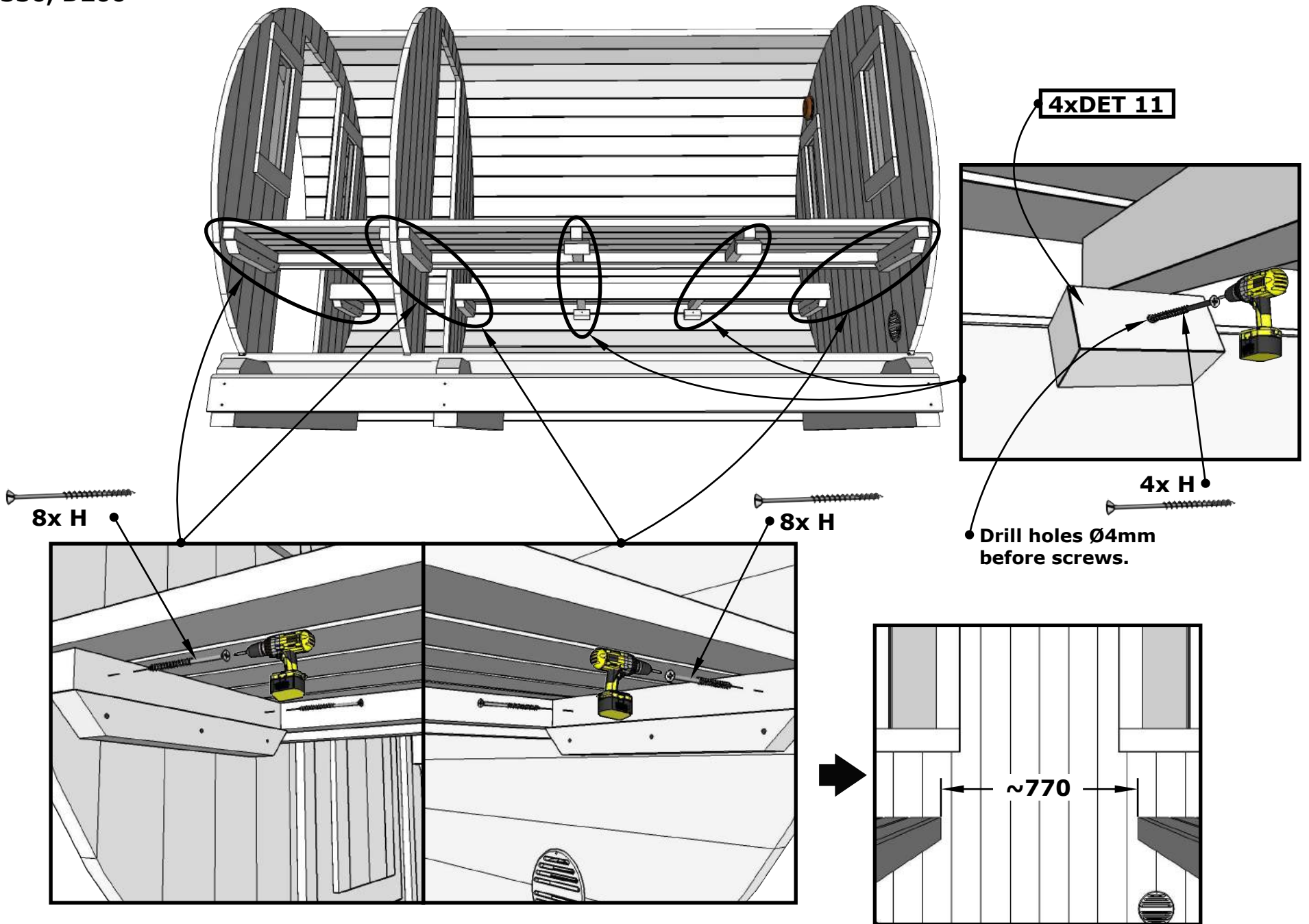




Sauna 330, D200

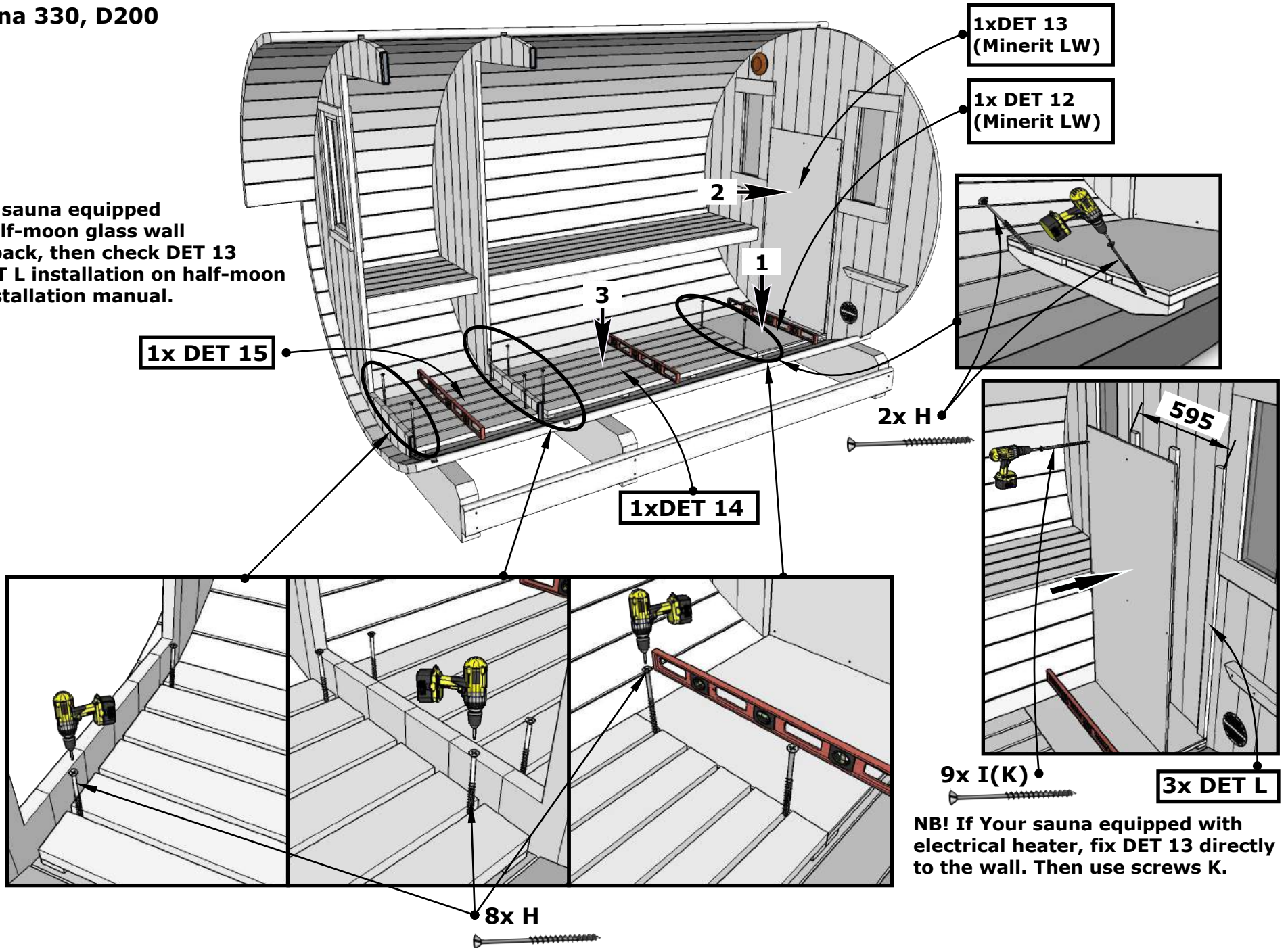


Sauna 330, D200

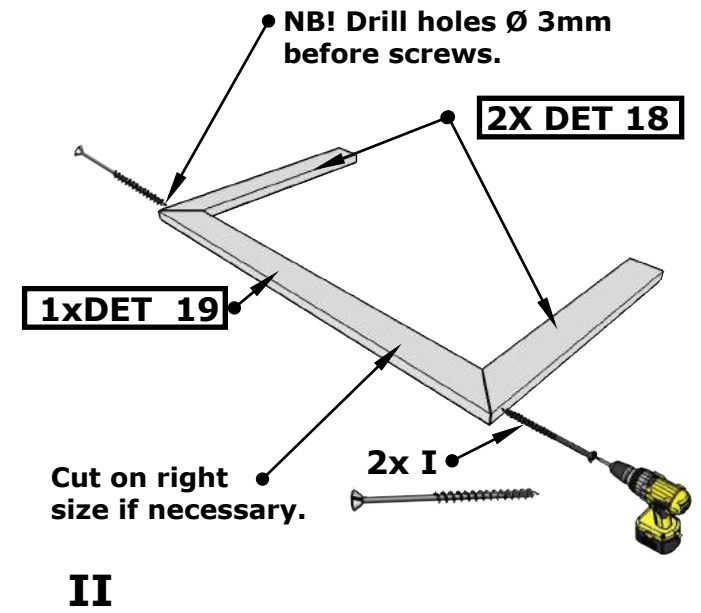
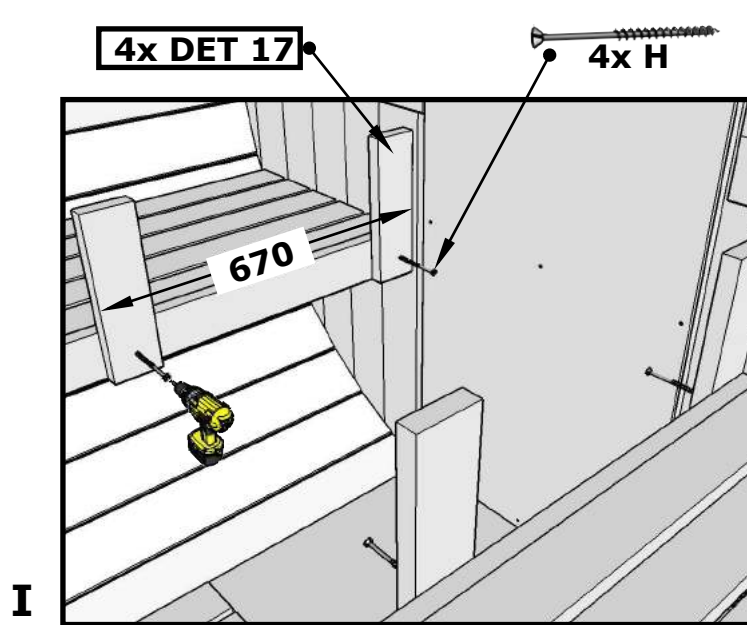


# Sauna 330, D200

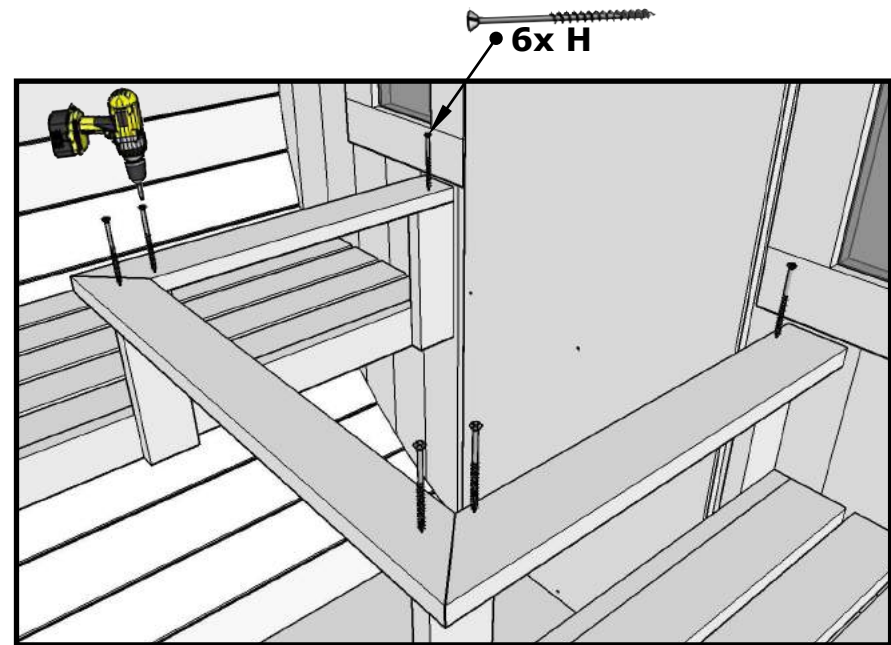
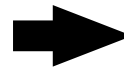
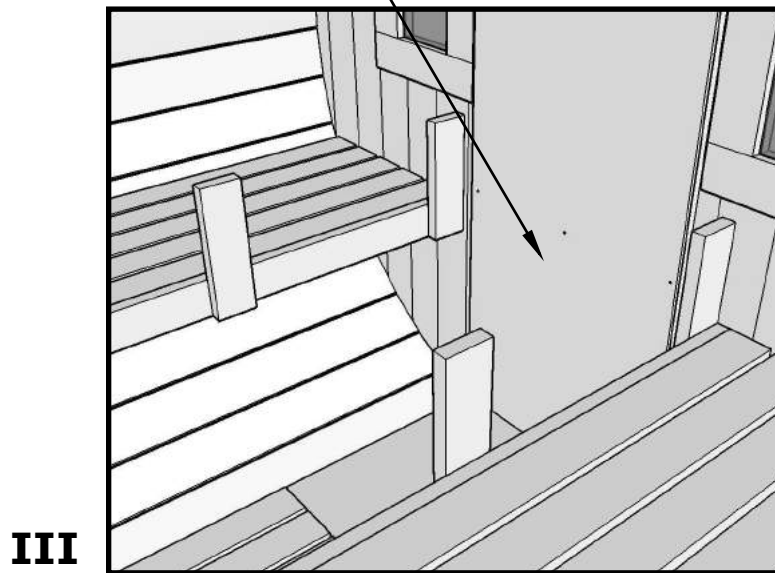
If Your sauna equipped with half-moon glass wall at the back, then check DET 13 and DET L installation on half-moon wall installation manual.



Sauna 330, D200



NB: Place sauna heater first.



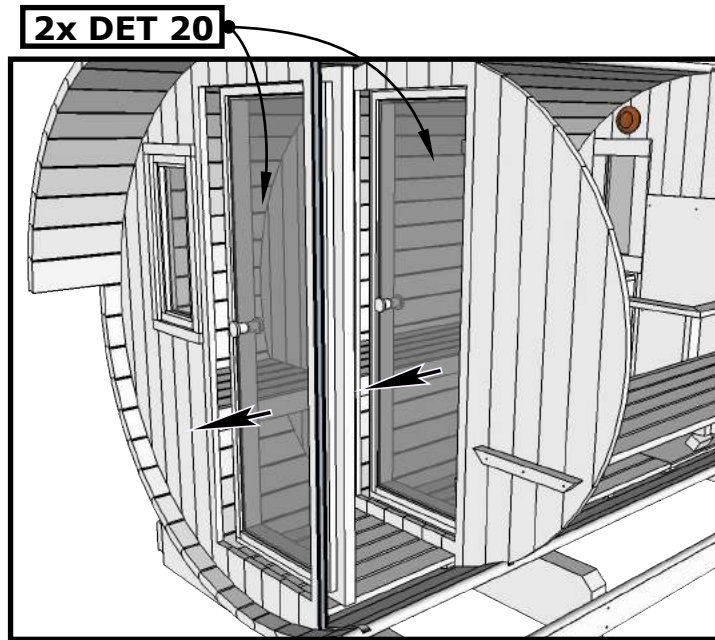
Sauna 330, D200

If Your sauna equipped with wooden front door, check wooden door installation manual.

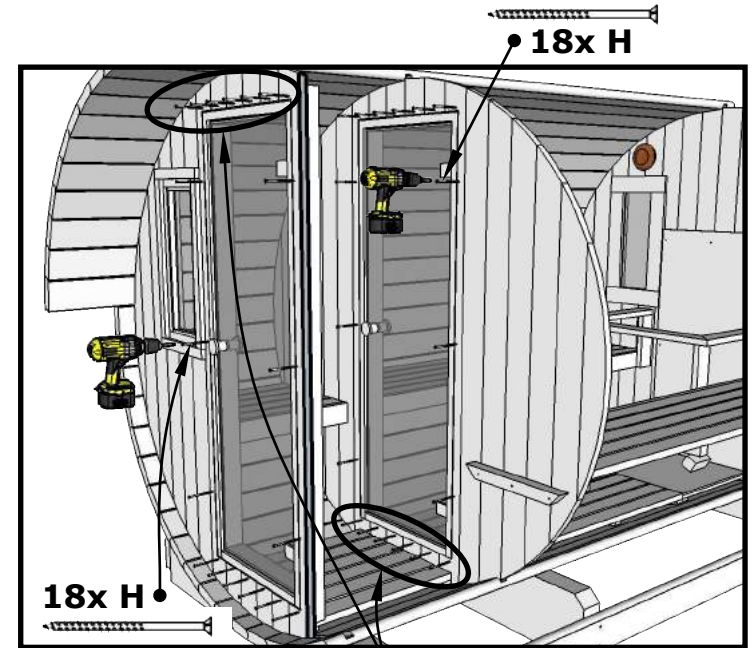


Use waterlevel.

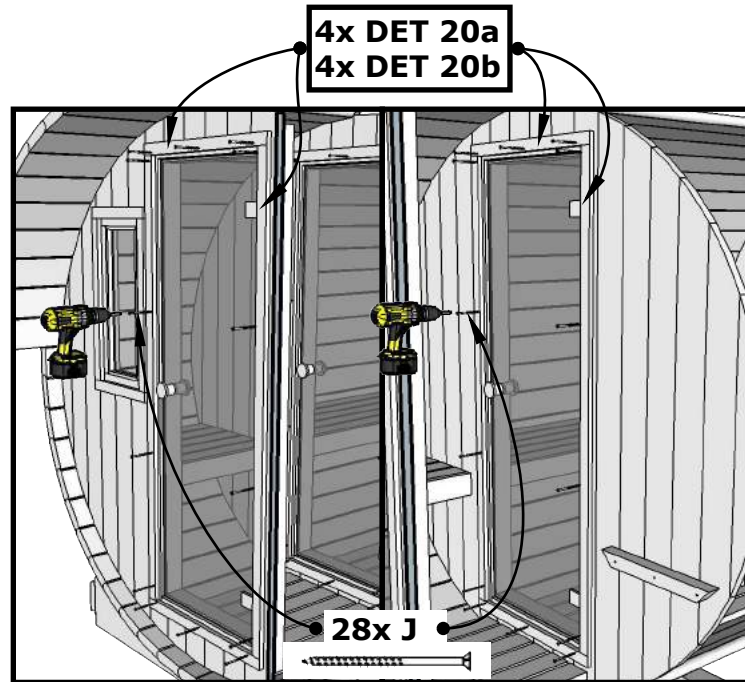
NB! Place doors from inside.



I



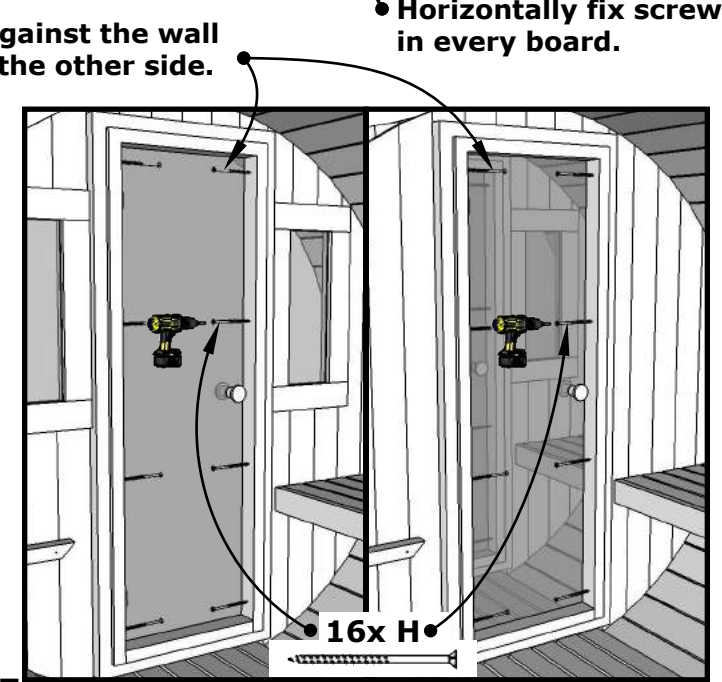
II



III

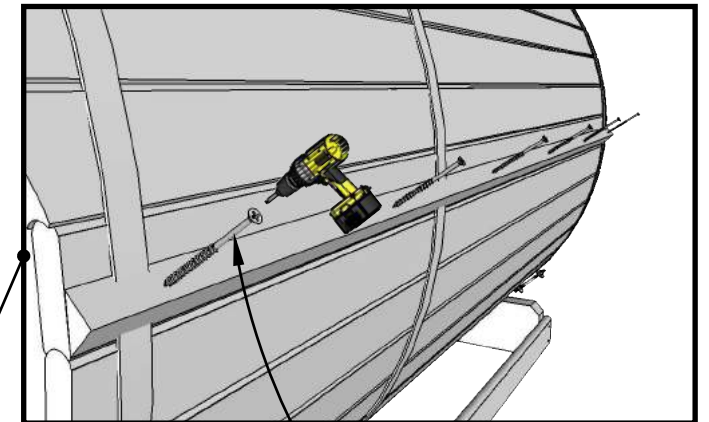
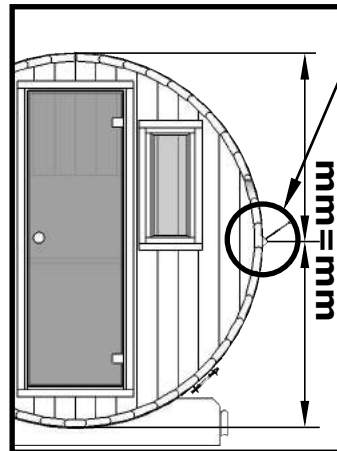
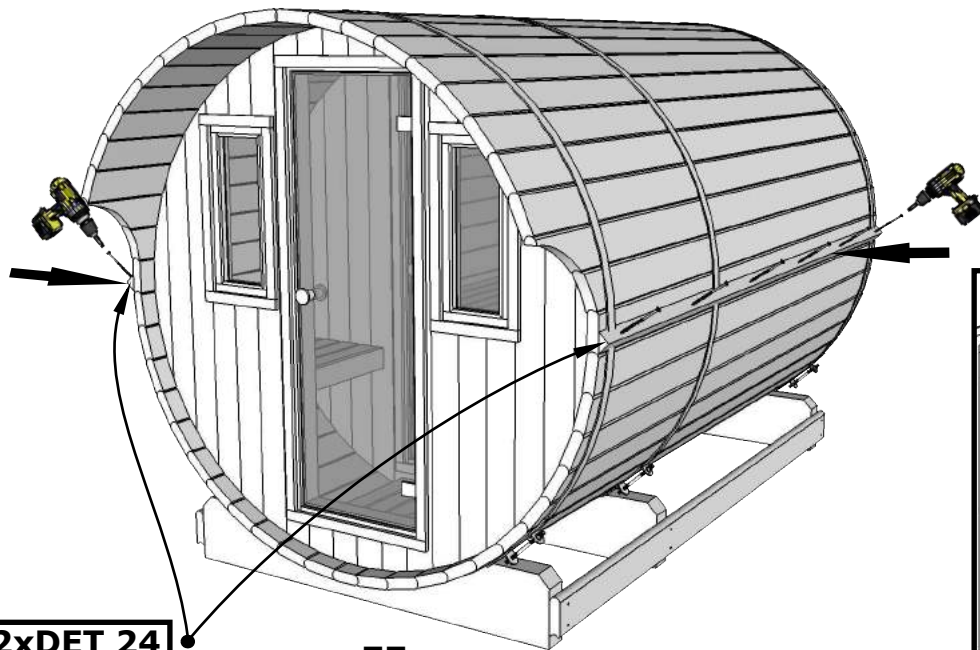
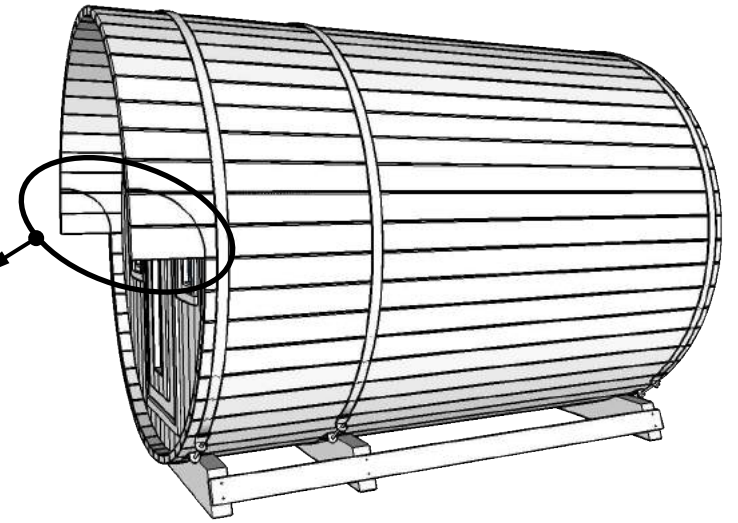
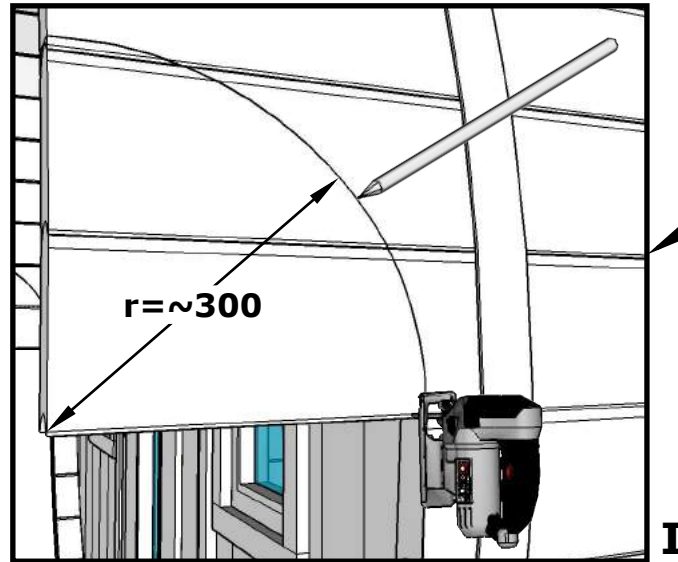


V



VI

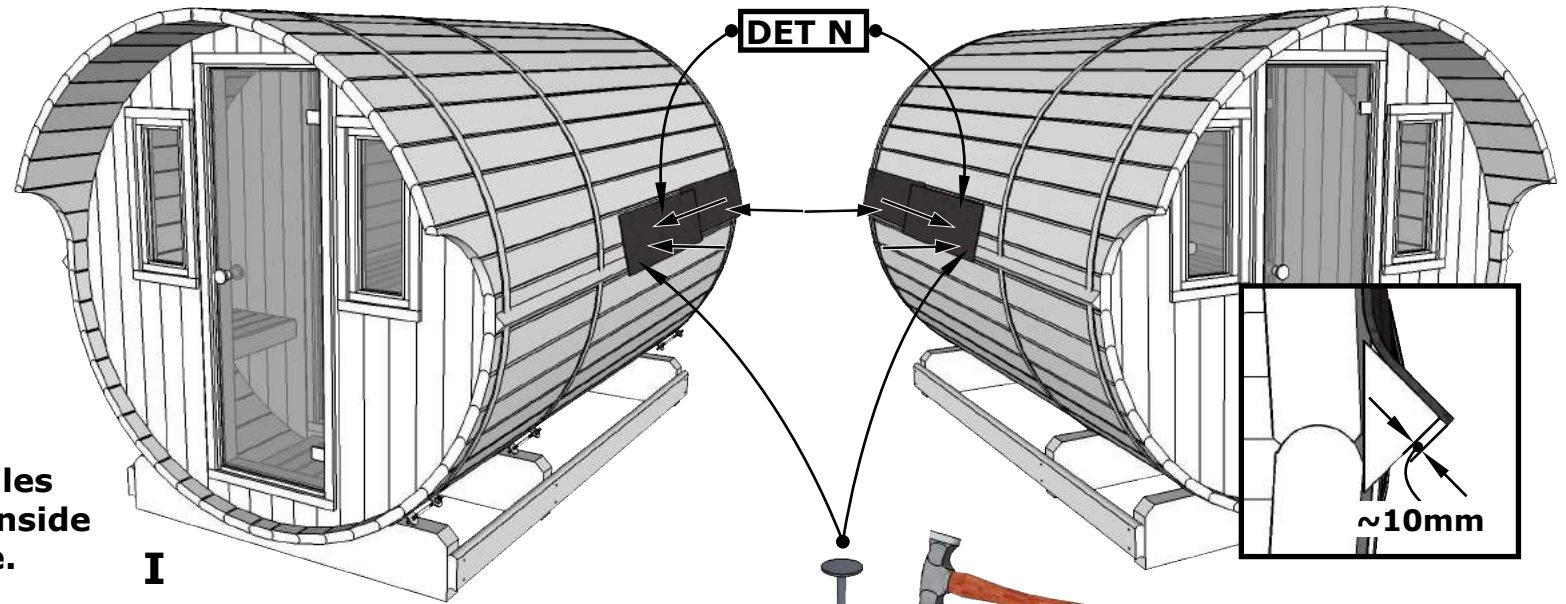
Sauna 330, D200



• 12x H

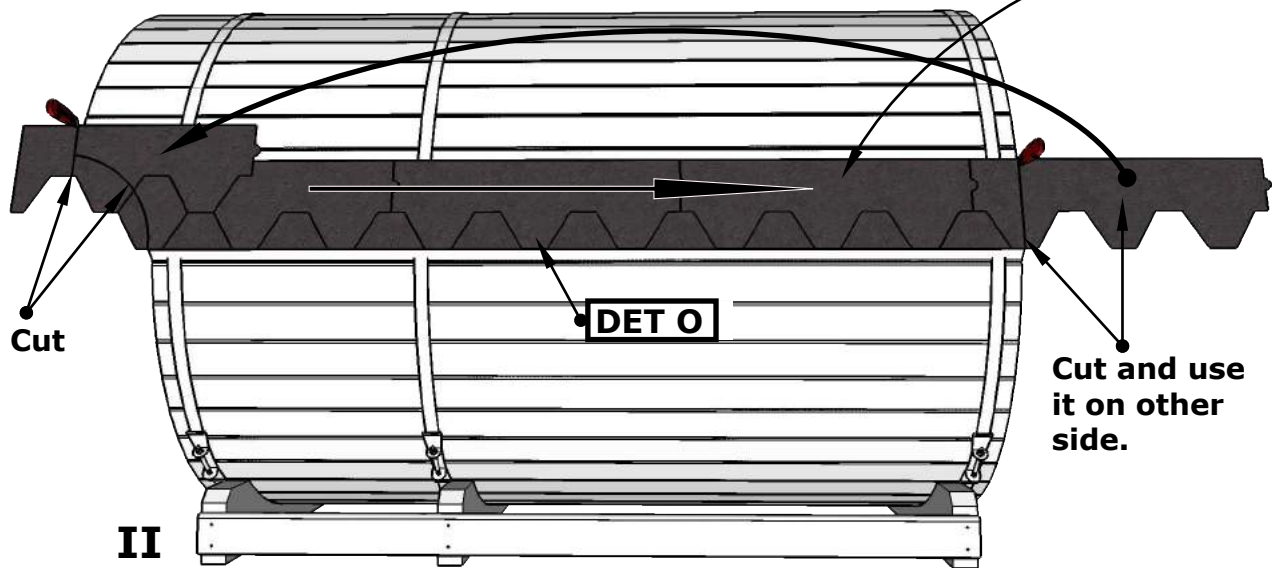


Sauna 330, D200



**NB! Check also shingles installation manual inside the shingles package.**

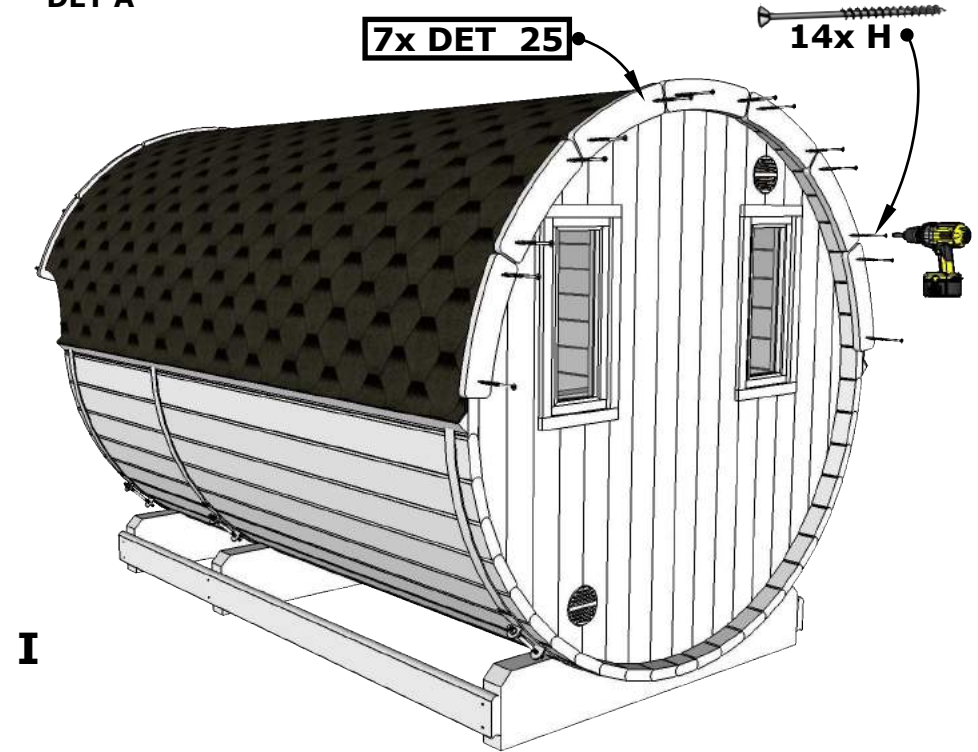
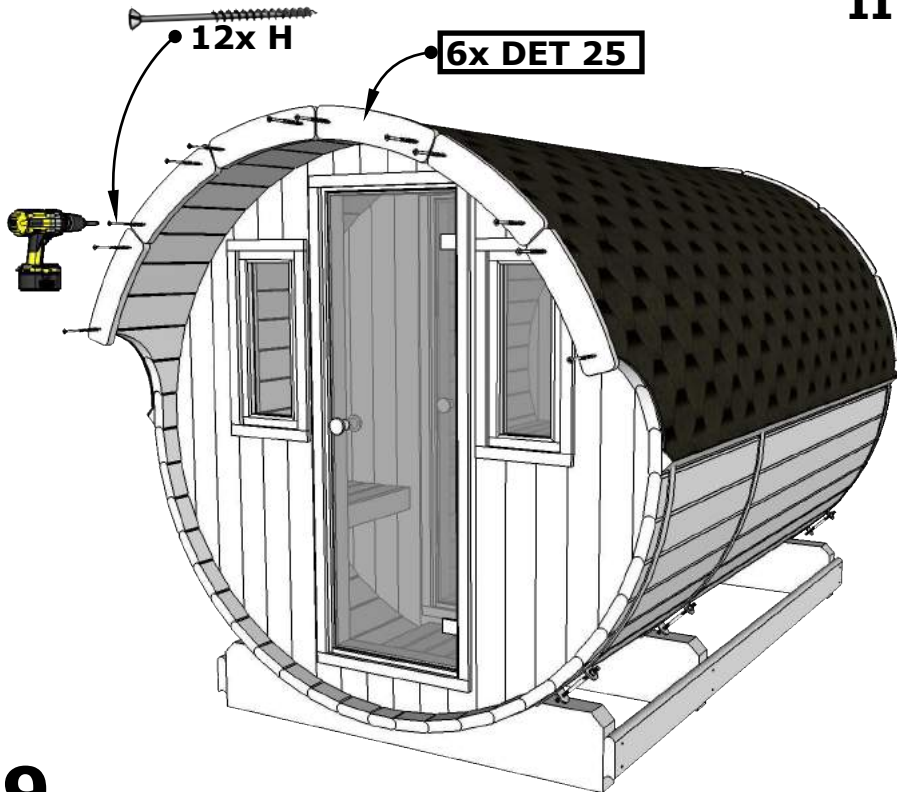
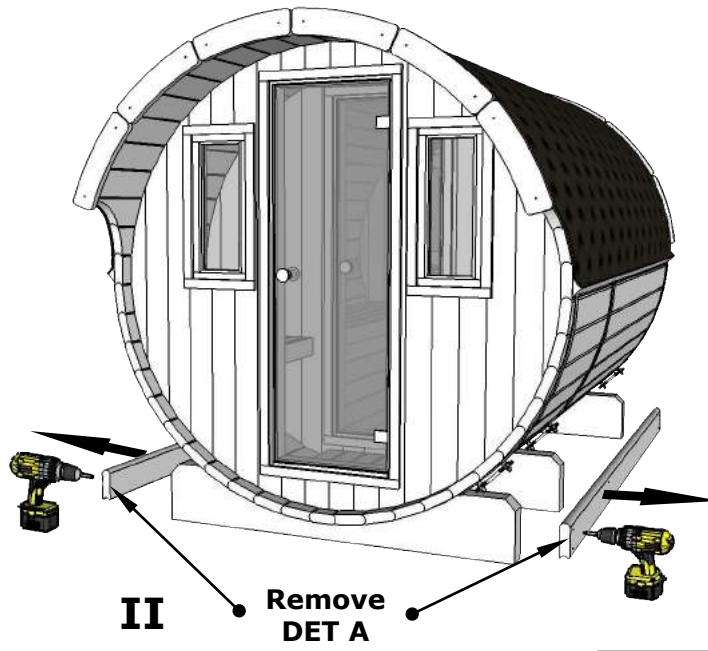
**I**



**Cut and use it on other side.**

**II**

Sauna 330, D200

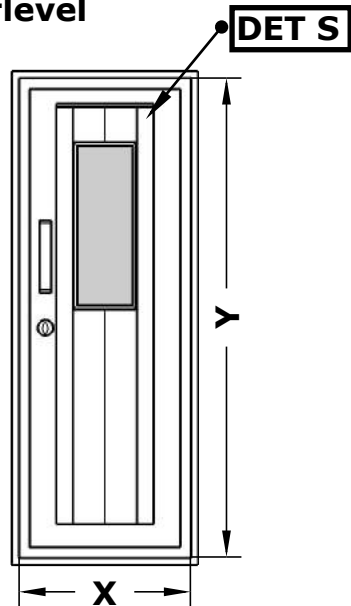




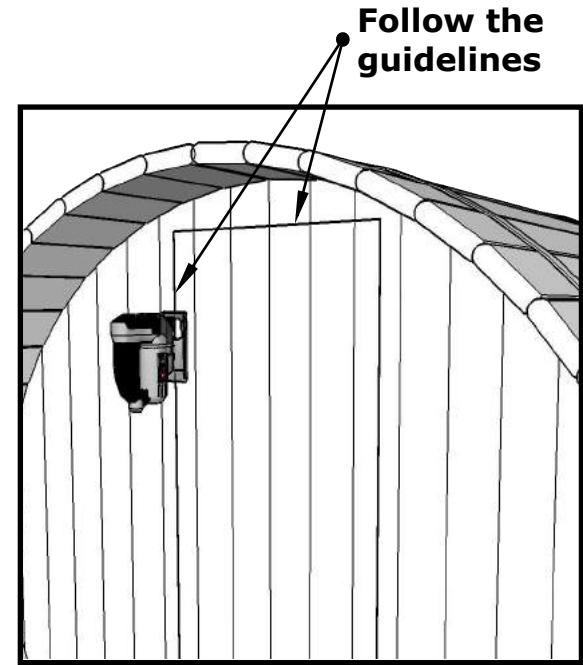
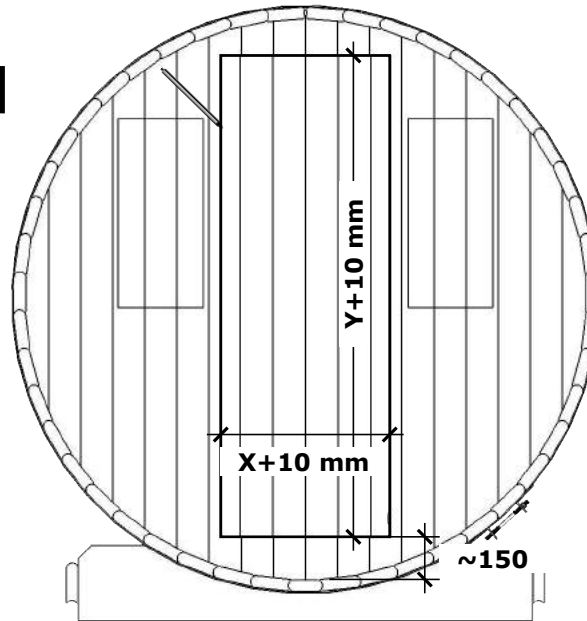
# Wooden door installation



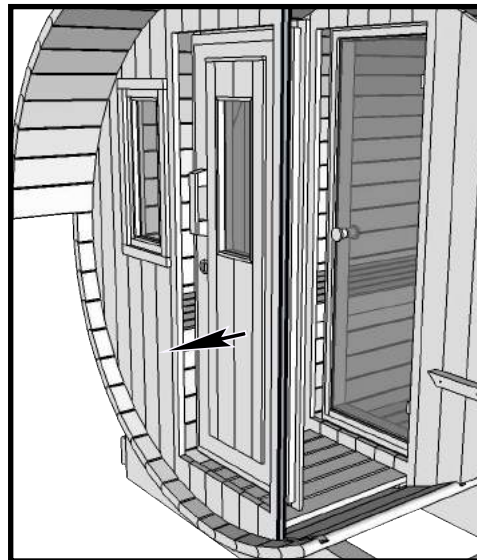
Use waterlevel



## Mark door opening

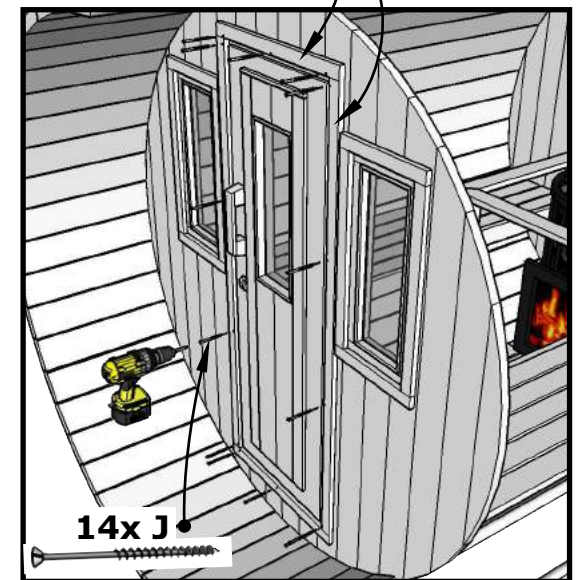


## Place door from inside.

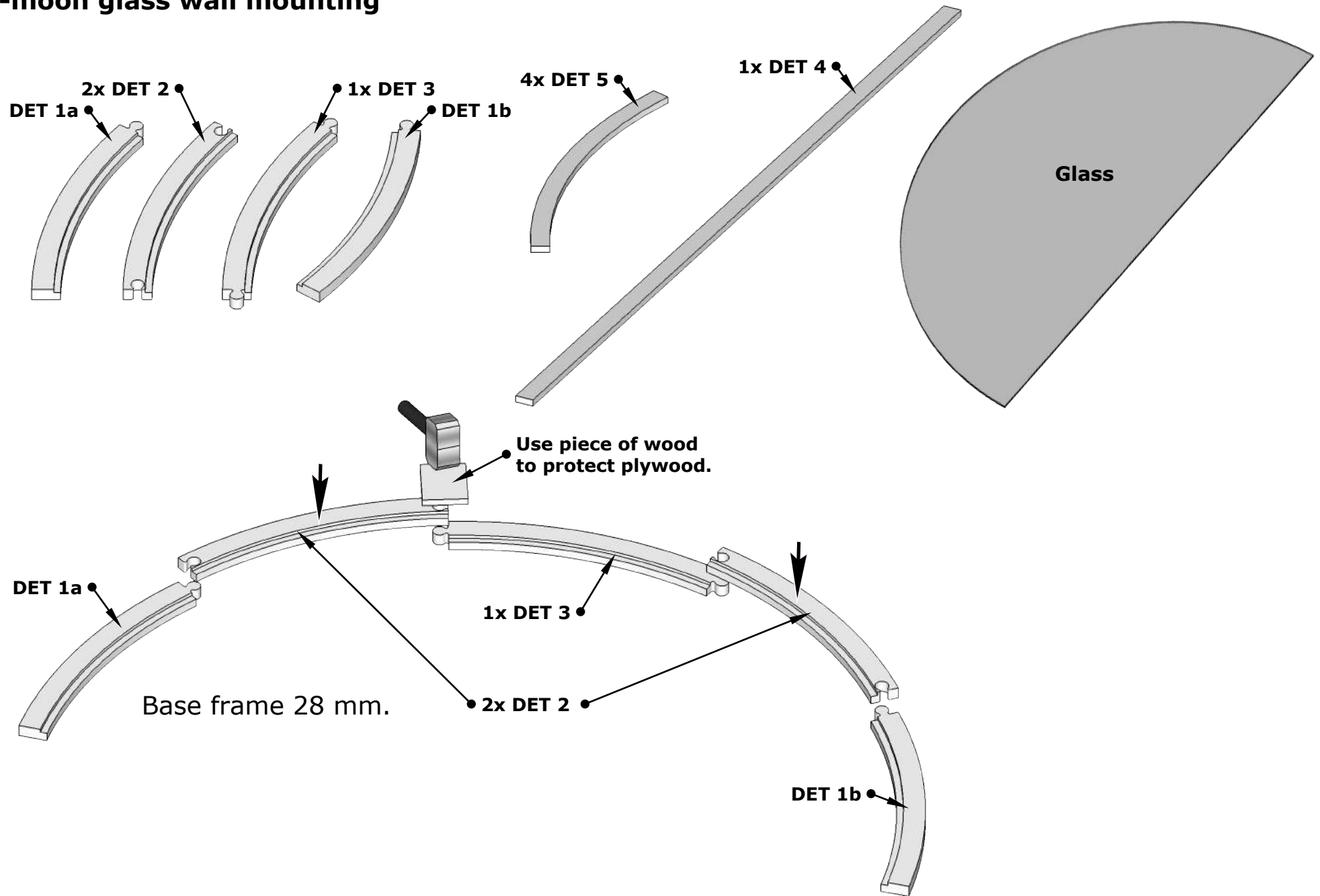


18x J

Horizontally fix screws in every board

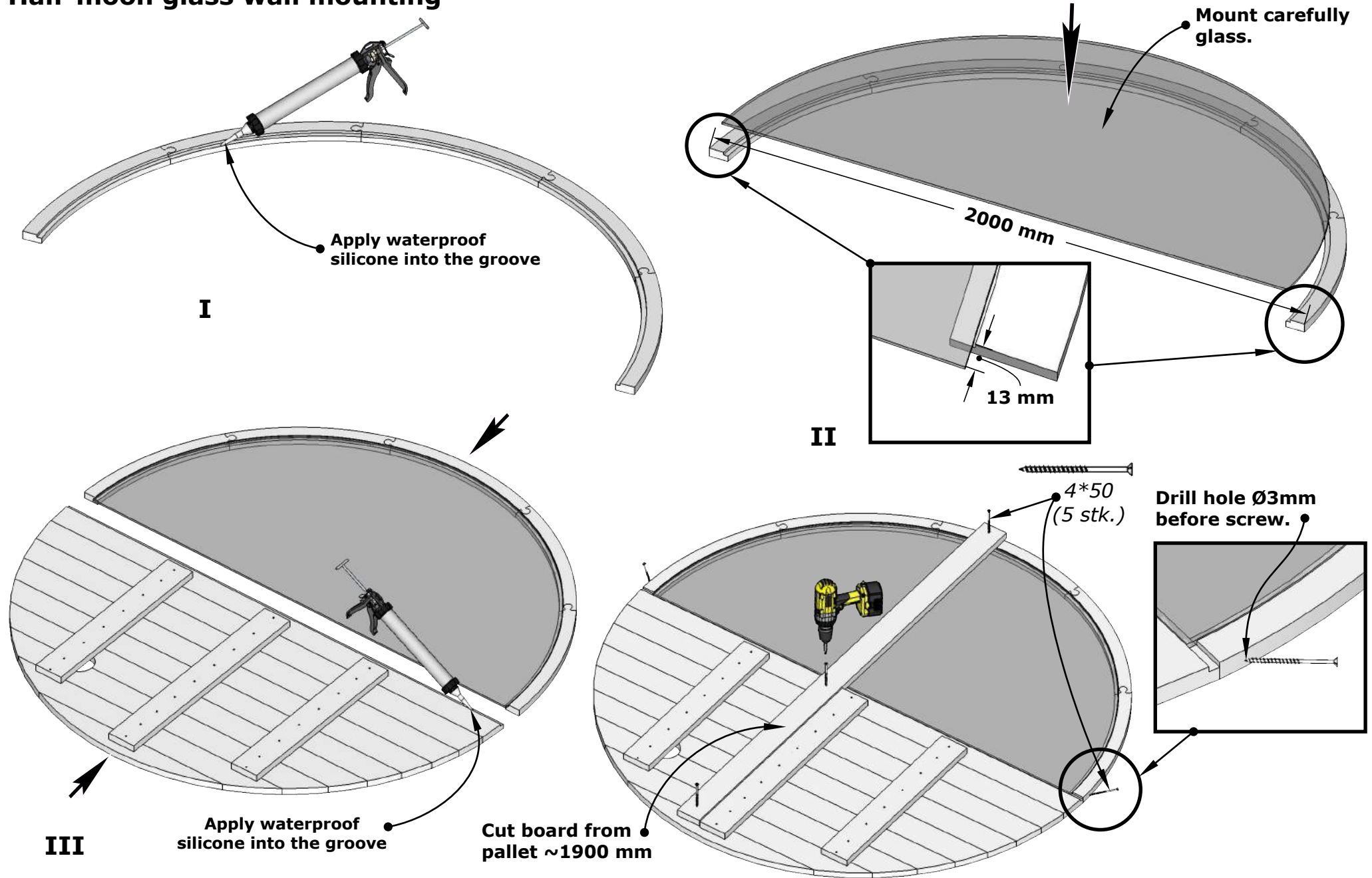


# Half-moon glass wall mounting

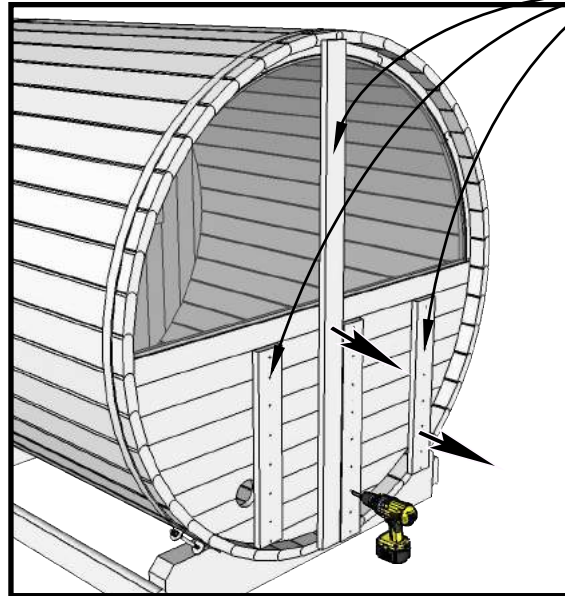


**1.**

# Half-moon glass wall mounting

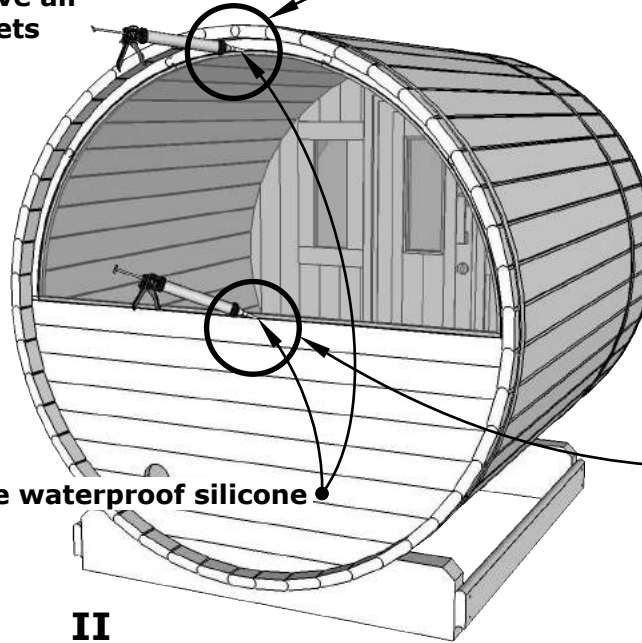


# Half-moon glass wall mounting (cover frame 15 mm.)



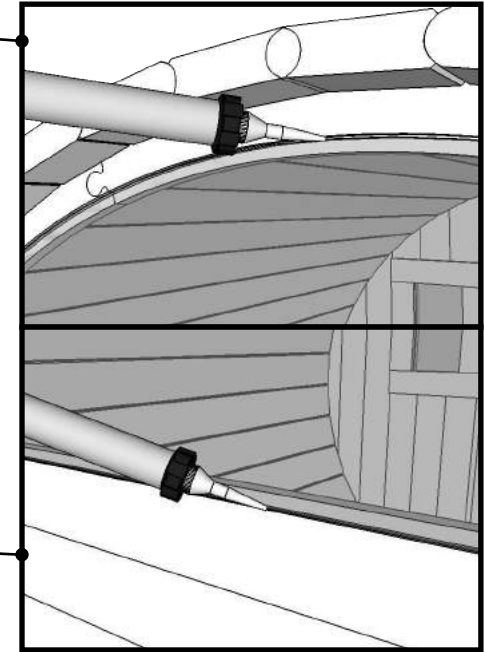
**I** Please check main installation manual before proceed this step.

Remove all brackets



Use waterproof silicone

**II**

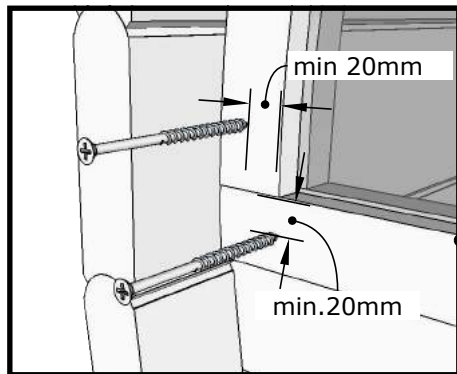


Cut last detail on right size.

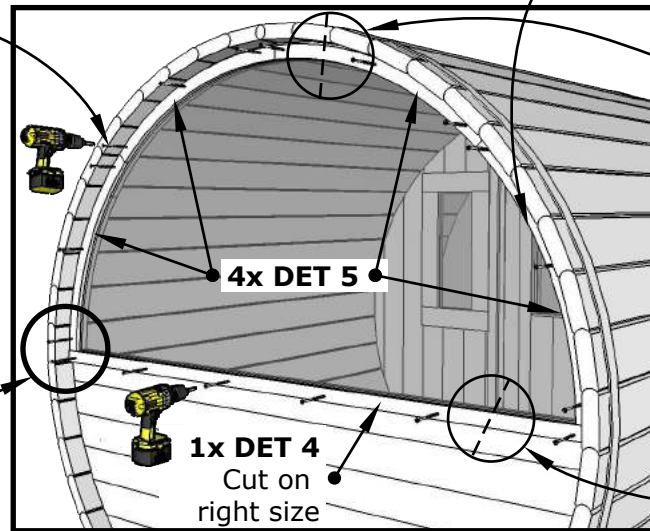
Remove any excess silicone with wet cloth.

Be careful! Do not hit the glass!

3\*40  
(18 stk.)



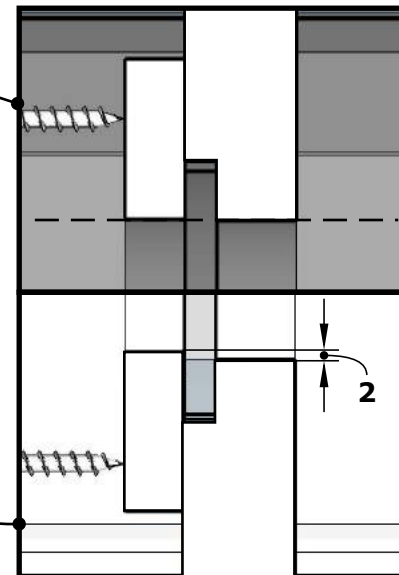
**3.**



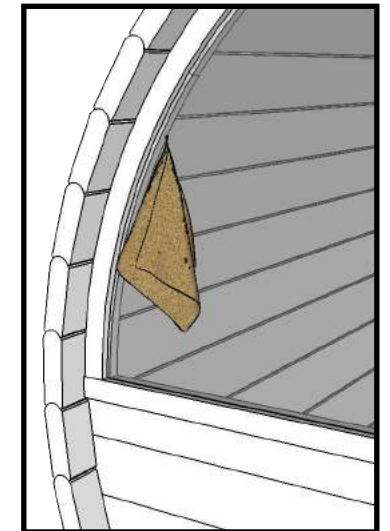
**III**

4x DET 5

1x DET 4  
Cut on right size



**IV**



# Half-moon glass wall mounting (Minerit plate installation)

