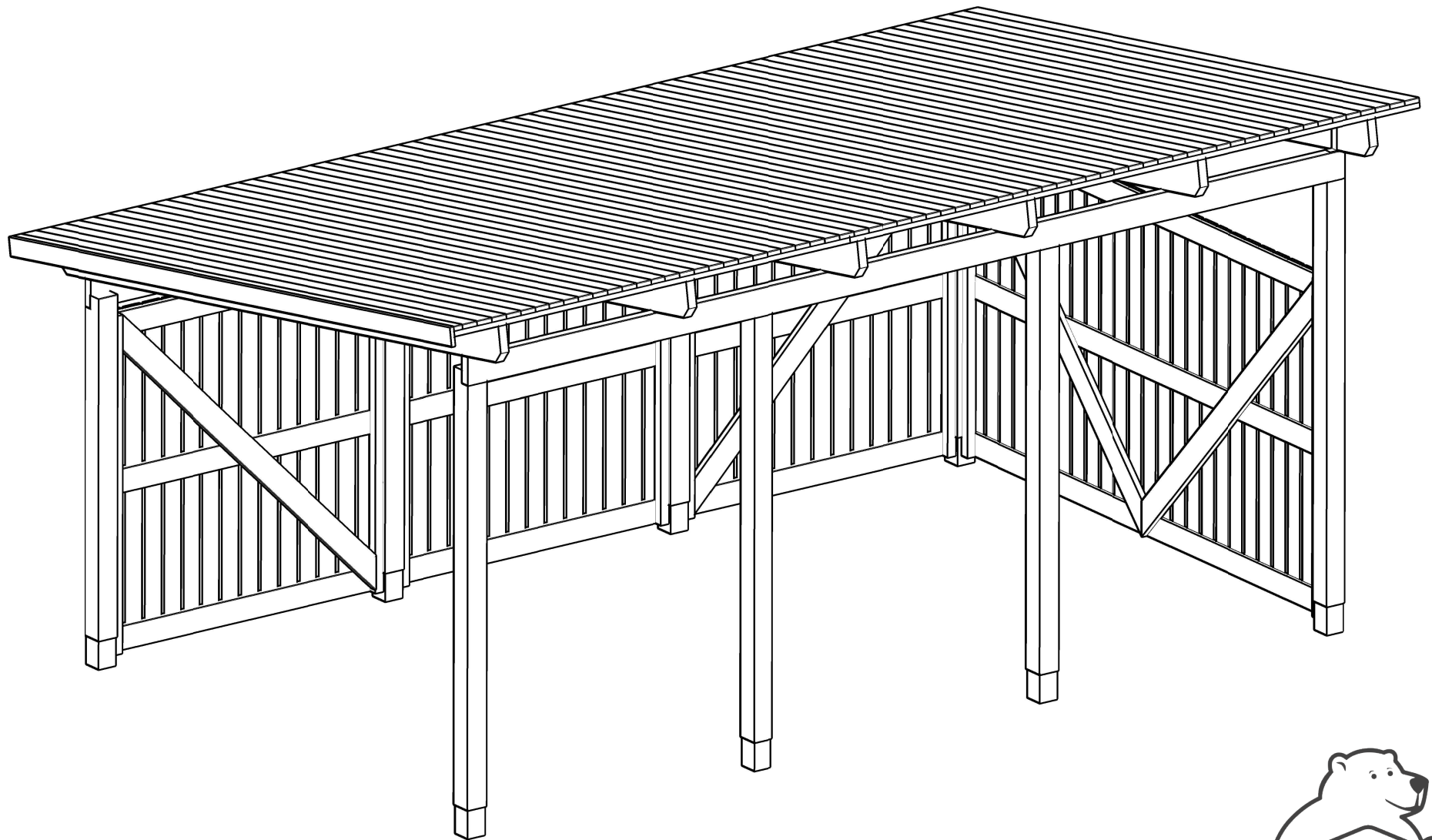
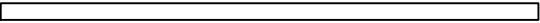
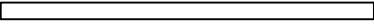

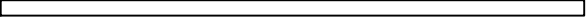
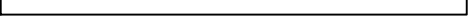
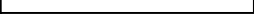

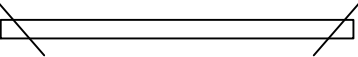



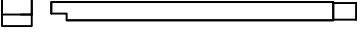
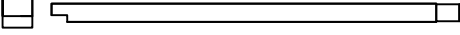






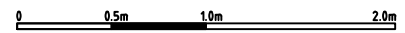
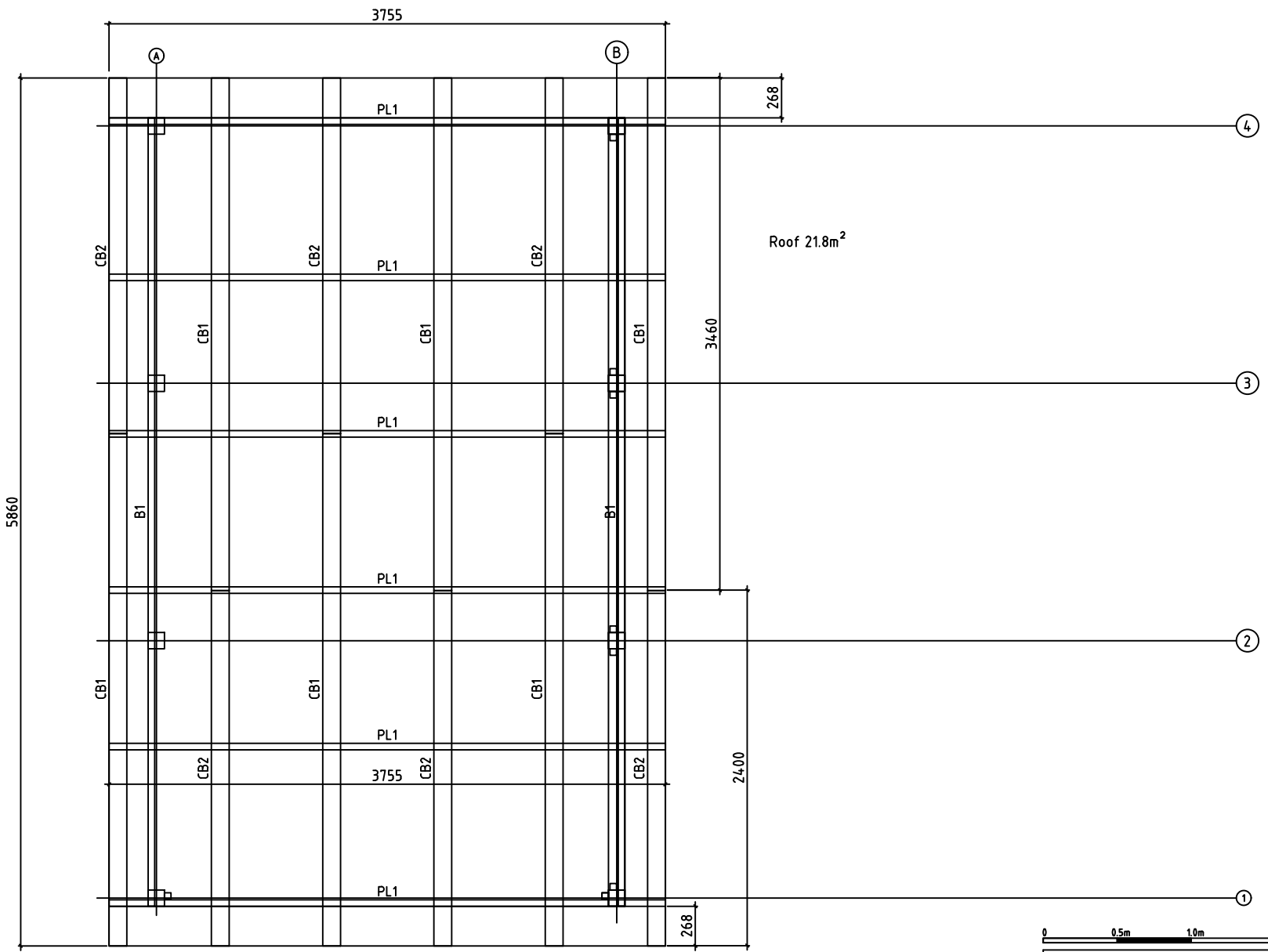


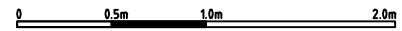
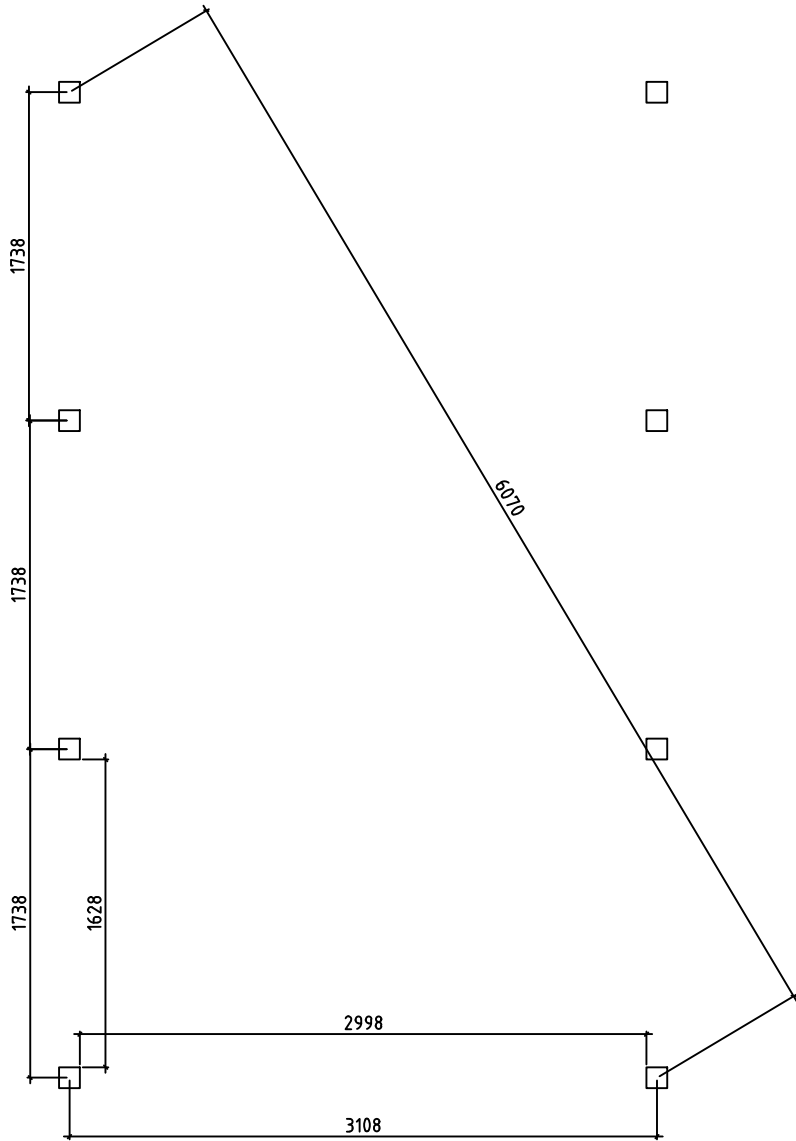
Carport Bosse



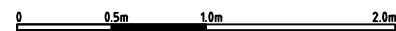
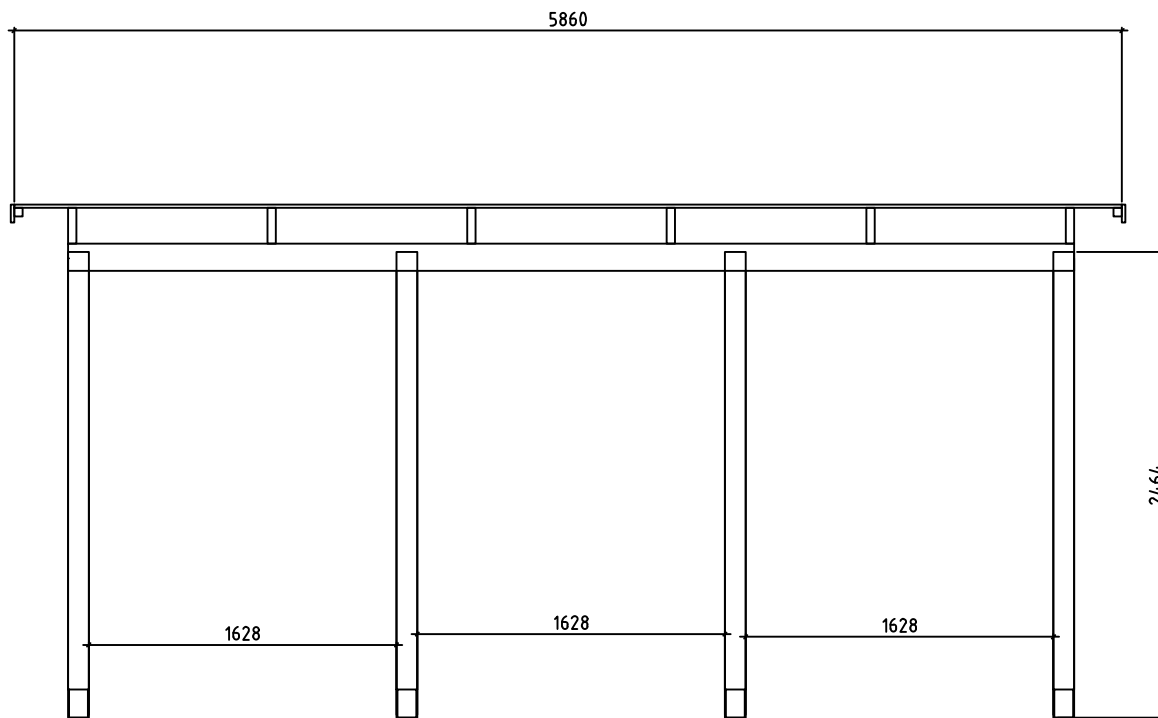
| Pos | Specification-Spezifikation-Specificatie-Nomenclature-Elementi-Especificacion Carport Bosse | Qty | Profile (mm) | Lenght (mm) |
|-------|--|--------------|-----------------|----------------|
| CB1 | CEILING BEAM-DECKENBALKEN-PLAFOND BALK-POUTRE DE PLAFOND-SOFFITTO-VIGA DE TECHO  | 6 | 120x28 | 3460 |
| CB2 | CEILING BEAM-DECKENBALKEN-PLAFOND BALK-POUTRE DE PLAFOND-SOFFITTO-VIGA DE TECHO  | 6 | 120x28 | 2400 |
| B1 | BEAM-HOLZBALKEN-BALKEN-POUTRE-TRAVE-VIGA  | 2 | 44x144 | 5324 |
| CS1 | CORNICE SUPPORT-TRAGELEISTE-STEUNEN BAR-SUPPORT-SUPPORTO-SOPORTE  | 2 | 95x18 | 3755 |
| S2 | SUPPORT-STÜTZEN-STEUN-SUPPORT-SUPPORTO-SOPORTE  | 3 | 120x28 | 2998 |
| S3 | SUPPORT-STÜTZEN-STEUN-SUPPORT-SUPPORTO-SOPORTE  | 9 | 120x28 | 1628 |
| S1 | SUPPORT-STÜTZEN-STEUN-SUPPORT-SUPPORTO-SOPORTE  | 8 | 45x45 | 1760 |
| DG1 | DIAGONAL-DIAGONAAL-DIAGONALE-DIAGONAL  | 4 | 28x120 | 2270 |
| PL1 | PURLIN-DAKBALK-DACHPFETTE-PANNE-ARCARECCIO-CORREA  | 6 | 44x190 | 3755 |
| R-1 | Roof board-Dachbrett-Dakplank-Volige-Tavola tetto-Tabla de tejado  | 67+1 52+1 | 88x18 114x18 | 3755 |
| Sb | Side board  | 67+2 | 95x18 | 1760 |
| | +Post 11x11  | 4 | 110x110 | 1964 |
| | +Post 11x11  | 4 | 110x110 | 2464 |
| | Angle bracket 140x40-Winkelhalterungen-Hoekverbinder-Équerre d'angle-Staffa angolare-Soporte angular  | 12 | 140x40 | |
| | Nail 1.8x60-Nagel-Spijker-Clou-Chiodo-Clavo  | 820 | 1.8x60 | |
| S4x40 | Screw 4x40-Schraube-Schroef-Vis-Vite-Tornillo  | 480 | 4x40 | |
| S4x50 | Screw 4x50-Schraube-Schroef-Vis-Vite-Tornillo  | 16 | 4x50 | |
| S5x60 | Screw 5x60-Schraube-Schroef-Vis-Vite-Tornillo  | 175 | 5x60 | |
| S5x80 | Screw 5x80-Schraube-Schroef-Vis-Vite-Tornillo  | 105 | 5x80 | |
| | | | | |
| | | | | |
| | | | | |
| | | | | |
| Model | Carport Bosse | Material | Page | 1/1 |



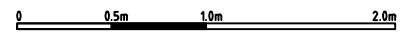
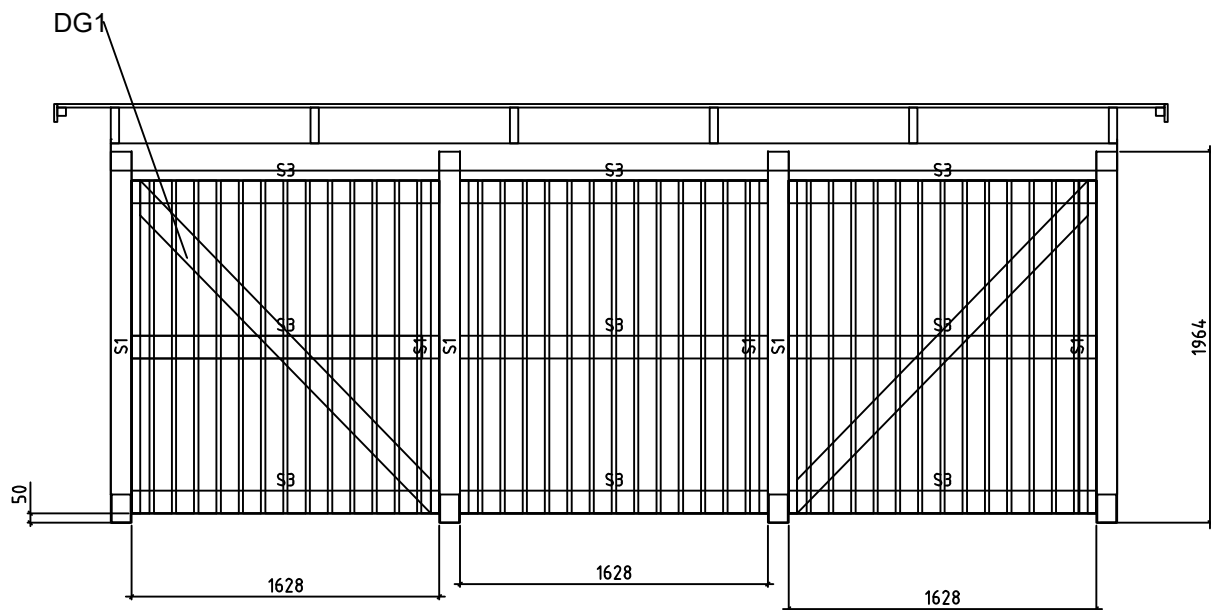
| | | |
|----------|------------------|-----------------|
| Model | Carport Bosse | Page |
| Drawing | | Scale 1:40 |
| Material | | Date 27.09.2024 |
| File | carportSmall.dwg | Drawn by T.T |



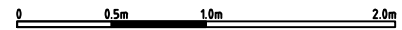
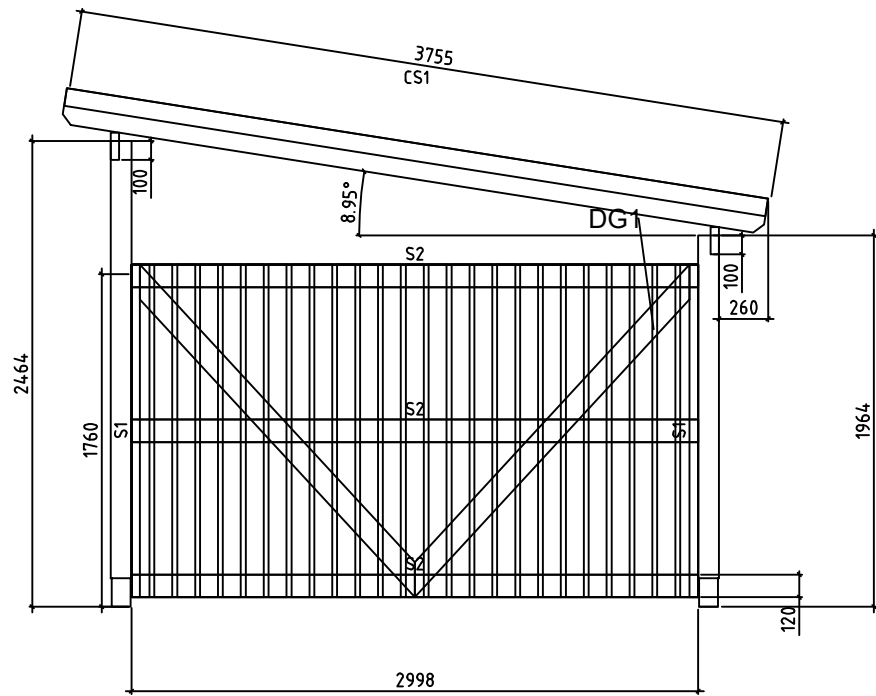
| | | |
|----------|------------------|-----------------|
| Model | Carport Bosse | Page |
| Drawing | | Scale 1:40 |
| Material | | Date 27.09.2024 |
| File | carportSmall.dwg | Drawn by T.T |



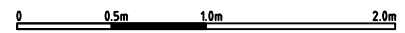
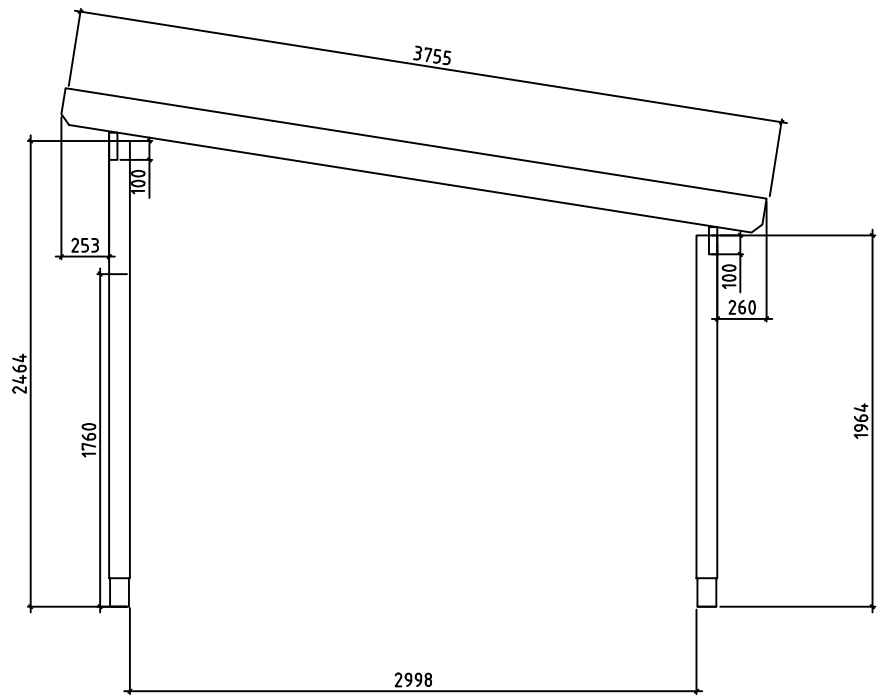
| | | | |
|----------|------------------|----------|------------|
| Model | Carport Bosse | Page | 7 |
| Drawing | WALL A | Scale | 1:40 |
| Material | | Date | 27.09.2024 |
| File | carportSmall.dwg | Drawn by | T.T |



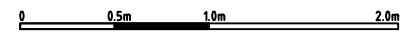
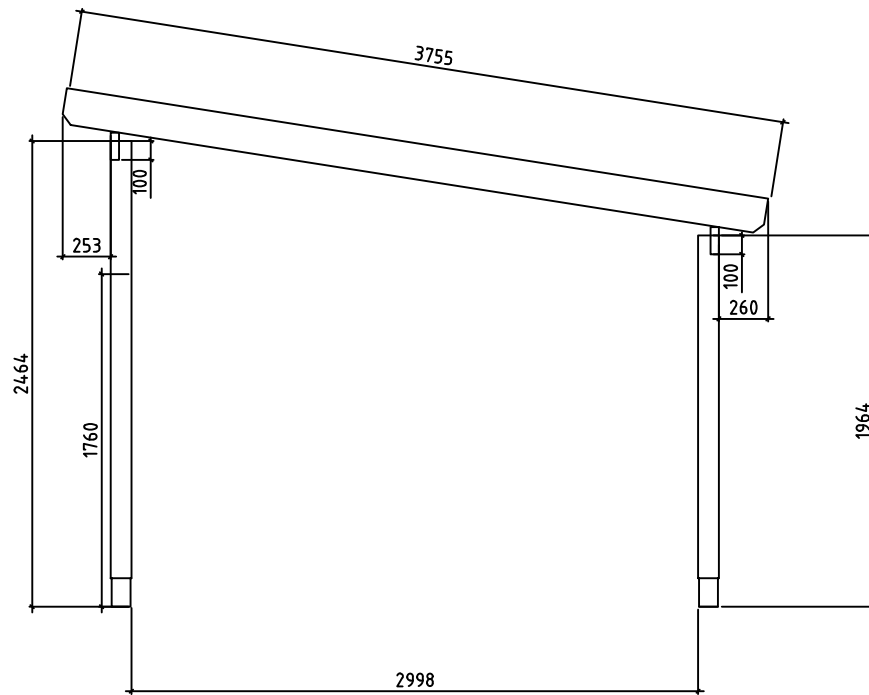
| | | | |
|----------|------------------|----------|------------|
| Model | Carport Bosse | Page | 8 |
| Drawing | WALL B | Scale | 1:40 |
| Material | | Date | 27.09.2024 |
| File | carportSmall.dwg | Drawn by | T.T |



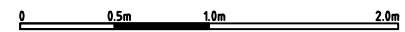
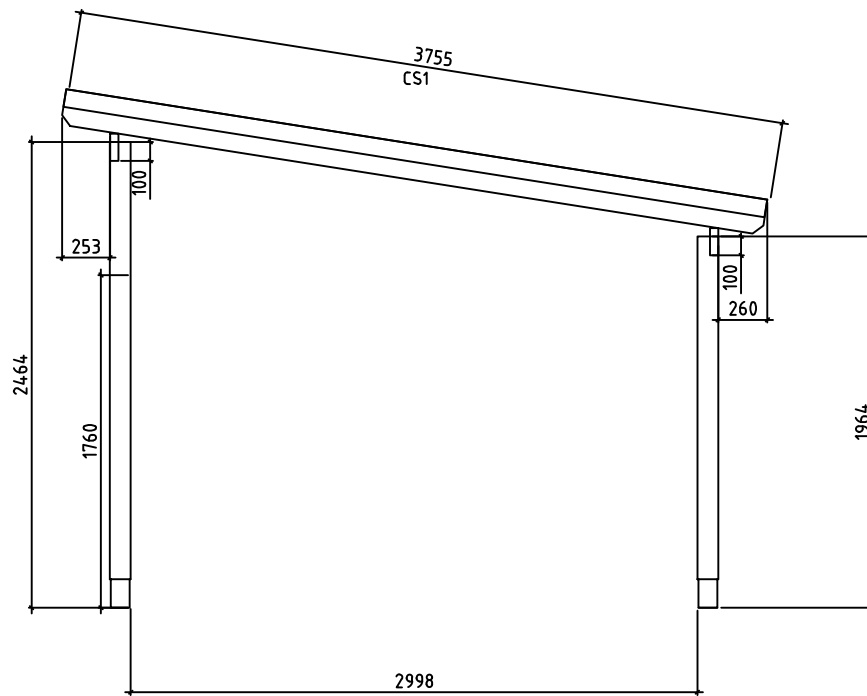
| | | | |
|----------|------------------|----------|------------|
| Model | Carport Bosse | Page | 10 |
| Drawing | WALL 1 | Scale | 1:40 |
| Material | | Date | 27.09.2024 |
| File | carportSmall.dwg | Drawn by | T.T |



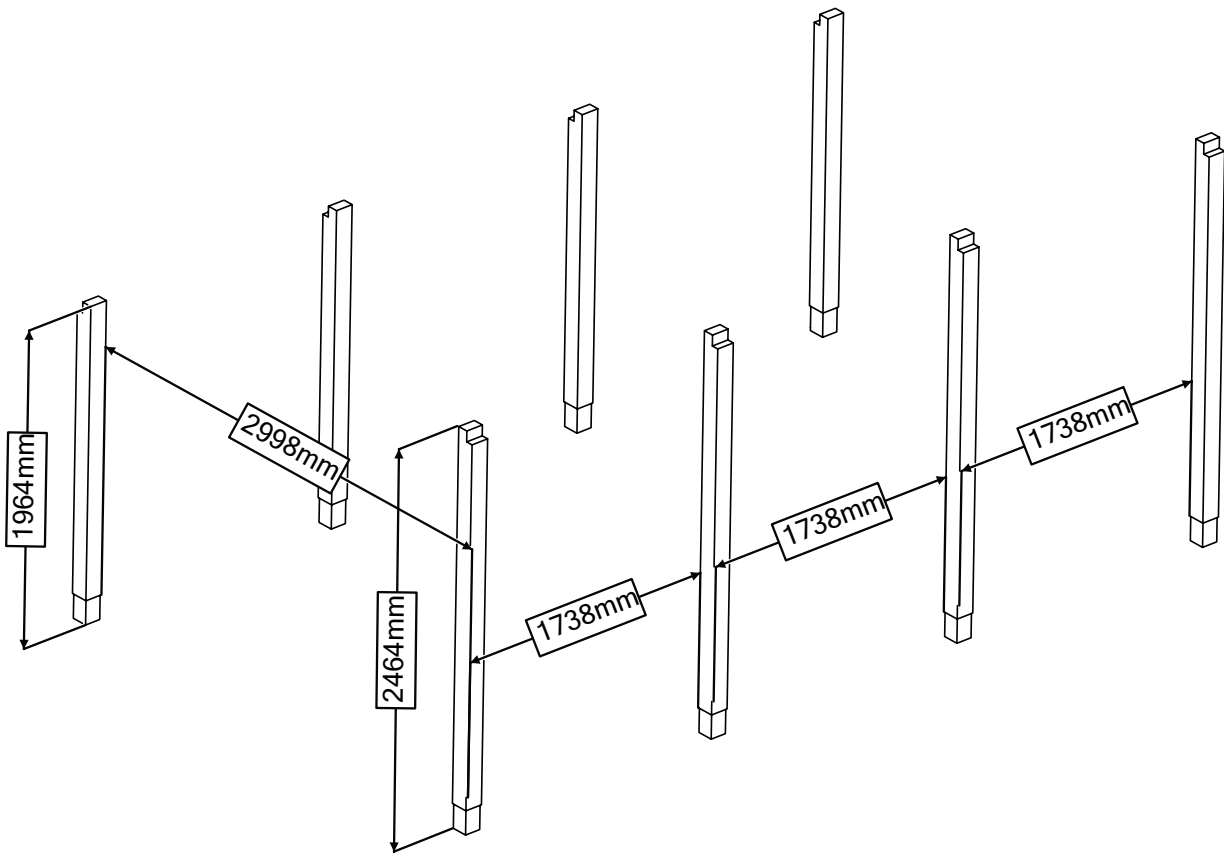
| | | | |
|----------|------------------|----------|------------|
| Model | Carport Bosse | Page | 11 |
| Drawing | WALL 2 | Scale | 1:40 |
| Material | | Date | 27.09.2024 |
| File | carportSmall.dwg | Drawn by | T.T |



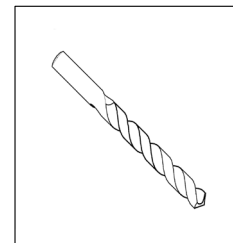
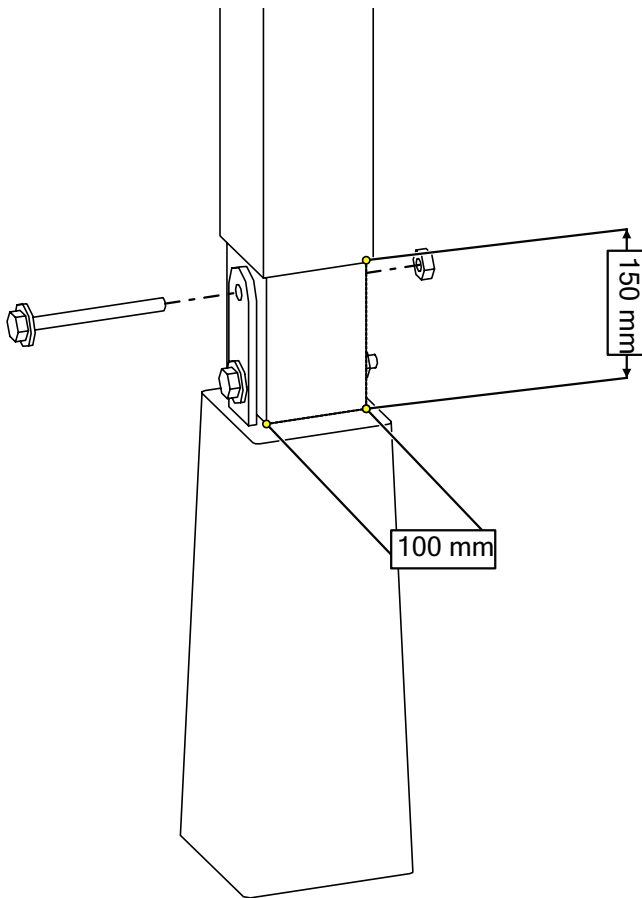
| | | | |
|----------|------------------|----------|------------|
| Model | Carport Bosse | Page | 12 |
| Drawing | WALL 3 | Scale | 1:40 |
| Material | | Date | 27.09.2024 |
| File | carportSmall.dwg | Drawn by | T.T |

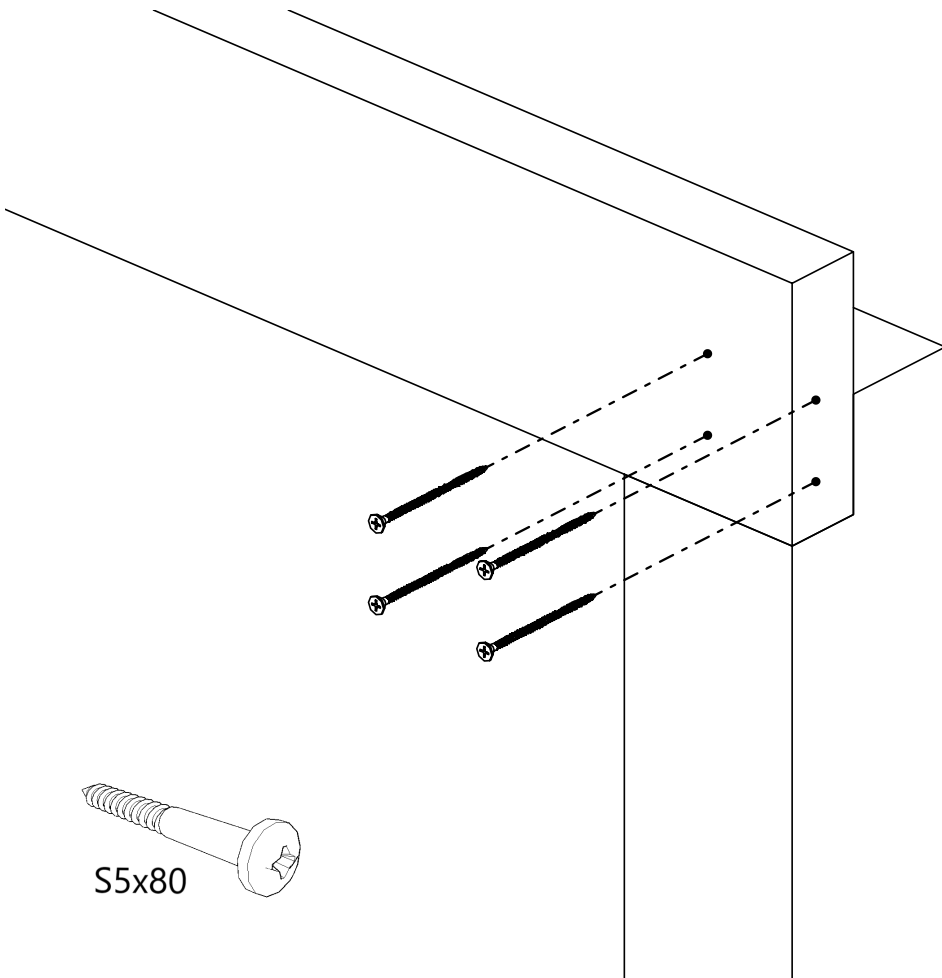
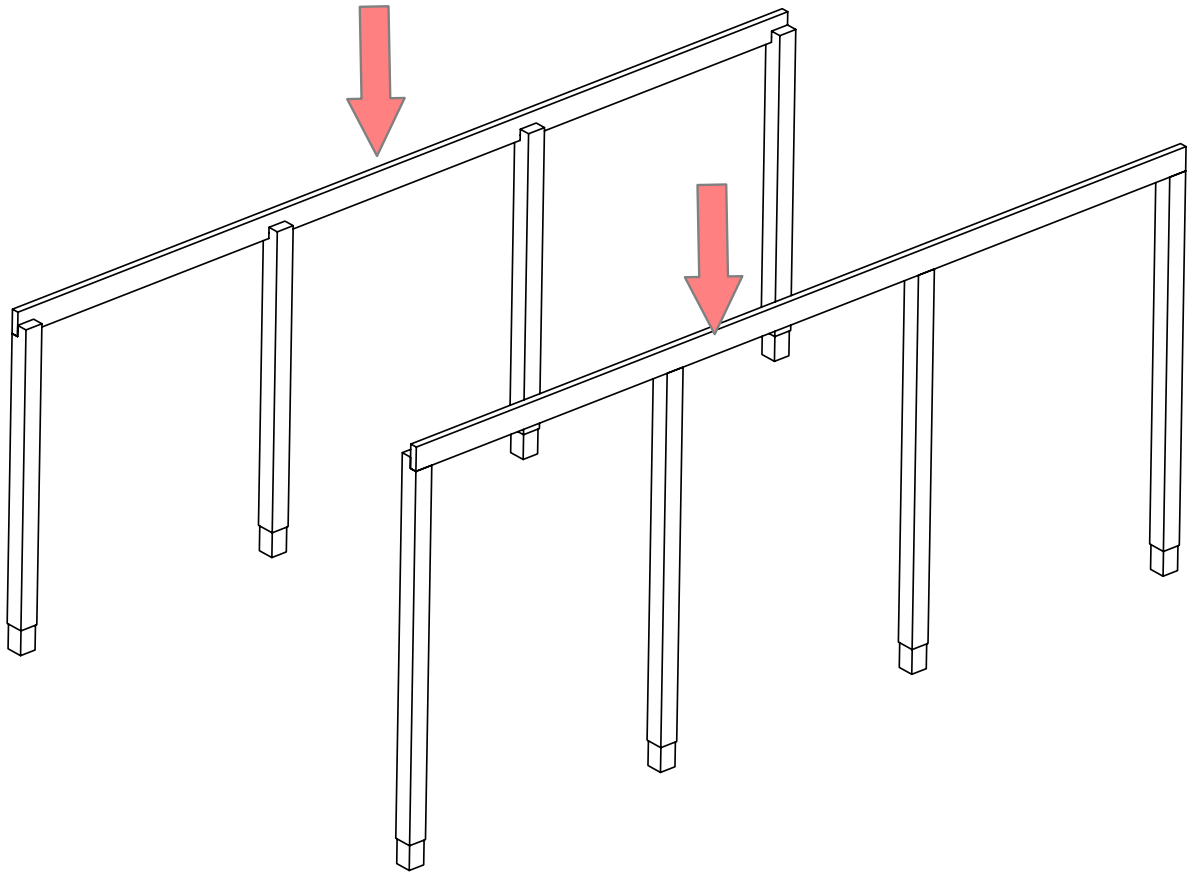


| | | | |
|----------|------------------|----------|------------|
| Model | Carport Bosse | Page | 13 |
| Drawing | WALL 4 | Scale | 1:40 |
| Material | | Date | 27.09.2024 |
| File | carportSmall.dwg | Drawn by | T.T |

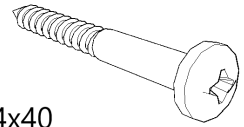
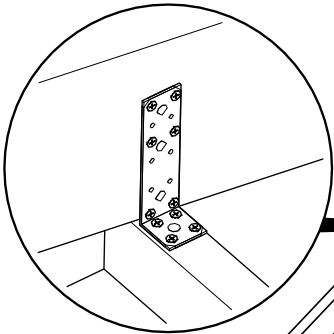
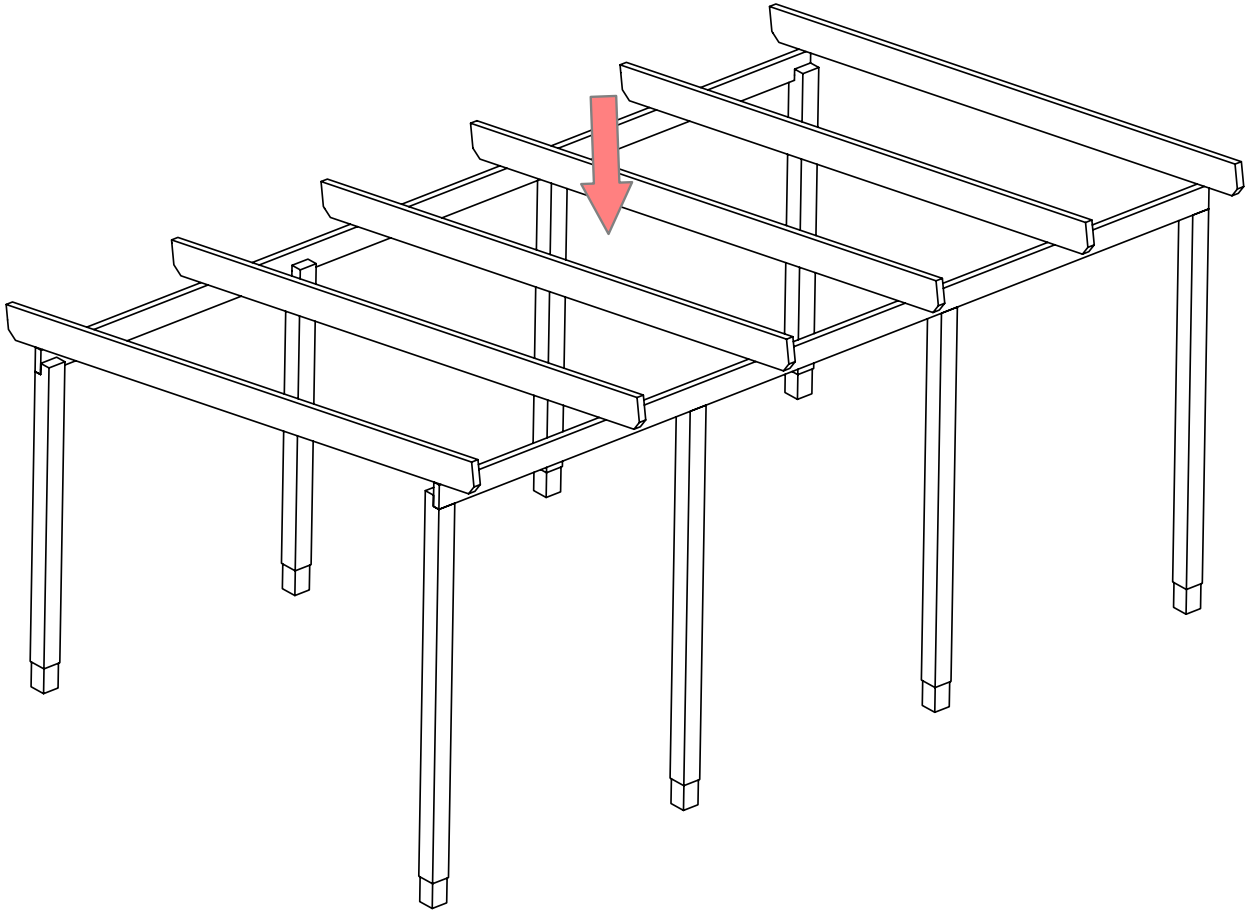


OPTIONAL





S5x80



S4x40

