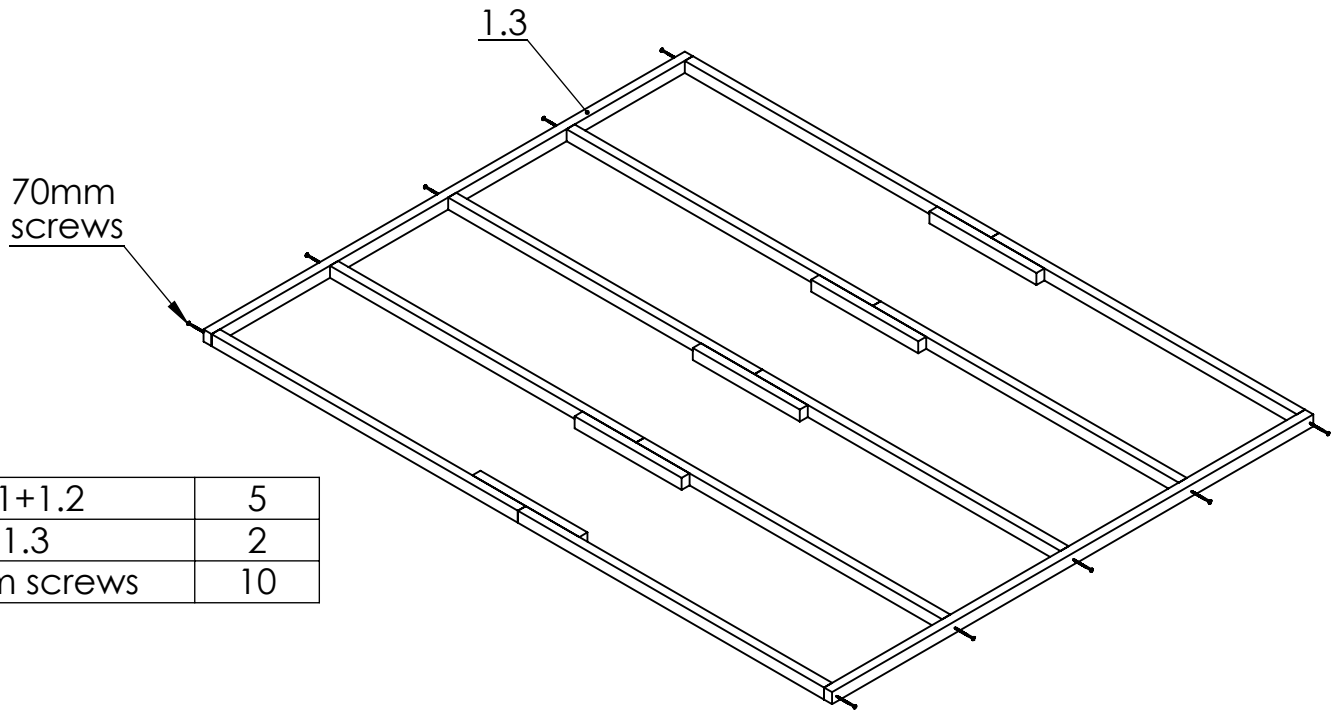
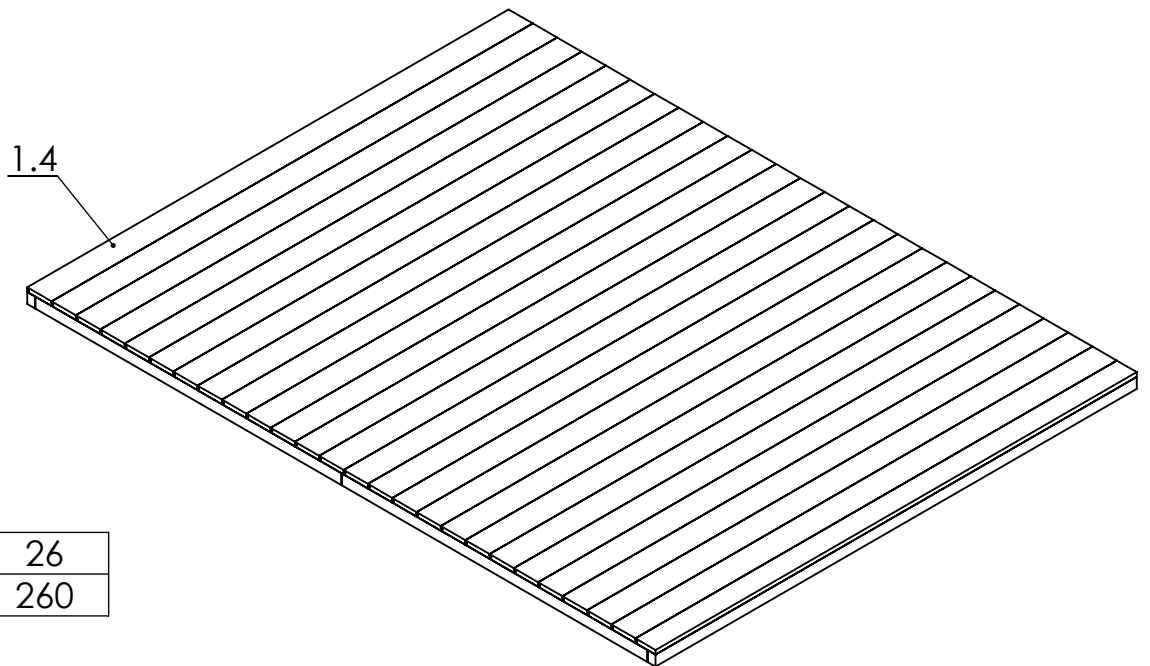


NB! Drill the pilot holes for the screws

1.1	10
1.2	5
50mm screws	20



1.1+1.2	5
1.3	2
70mm screws	10



1.4	26
40mm nails	260