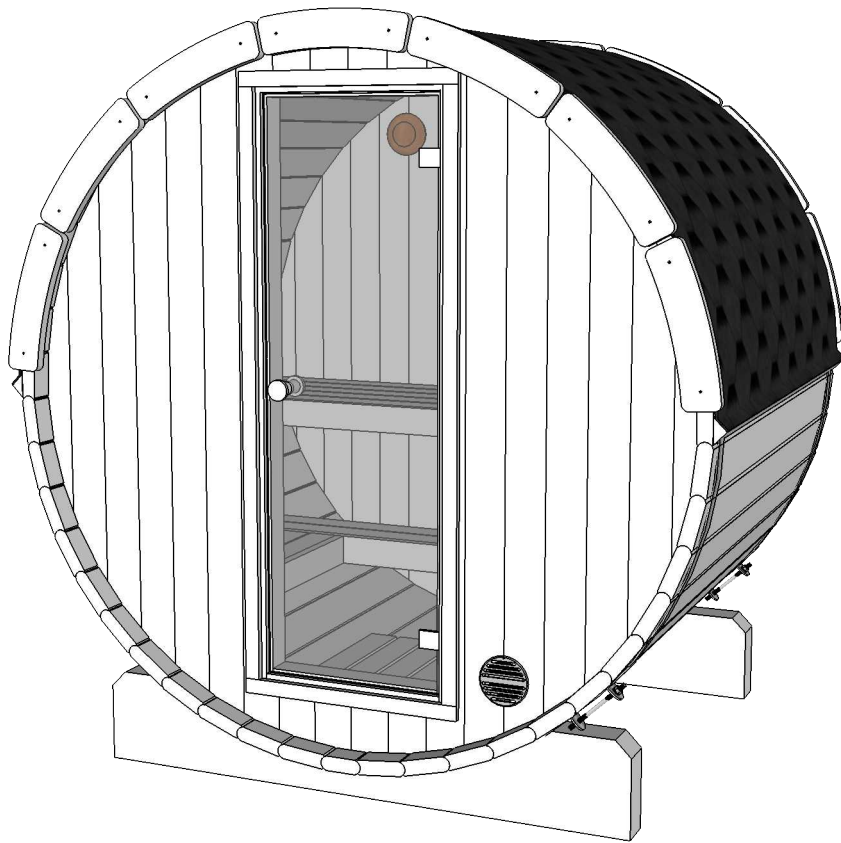


# Sauna 160, Ø200

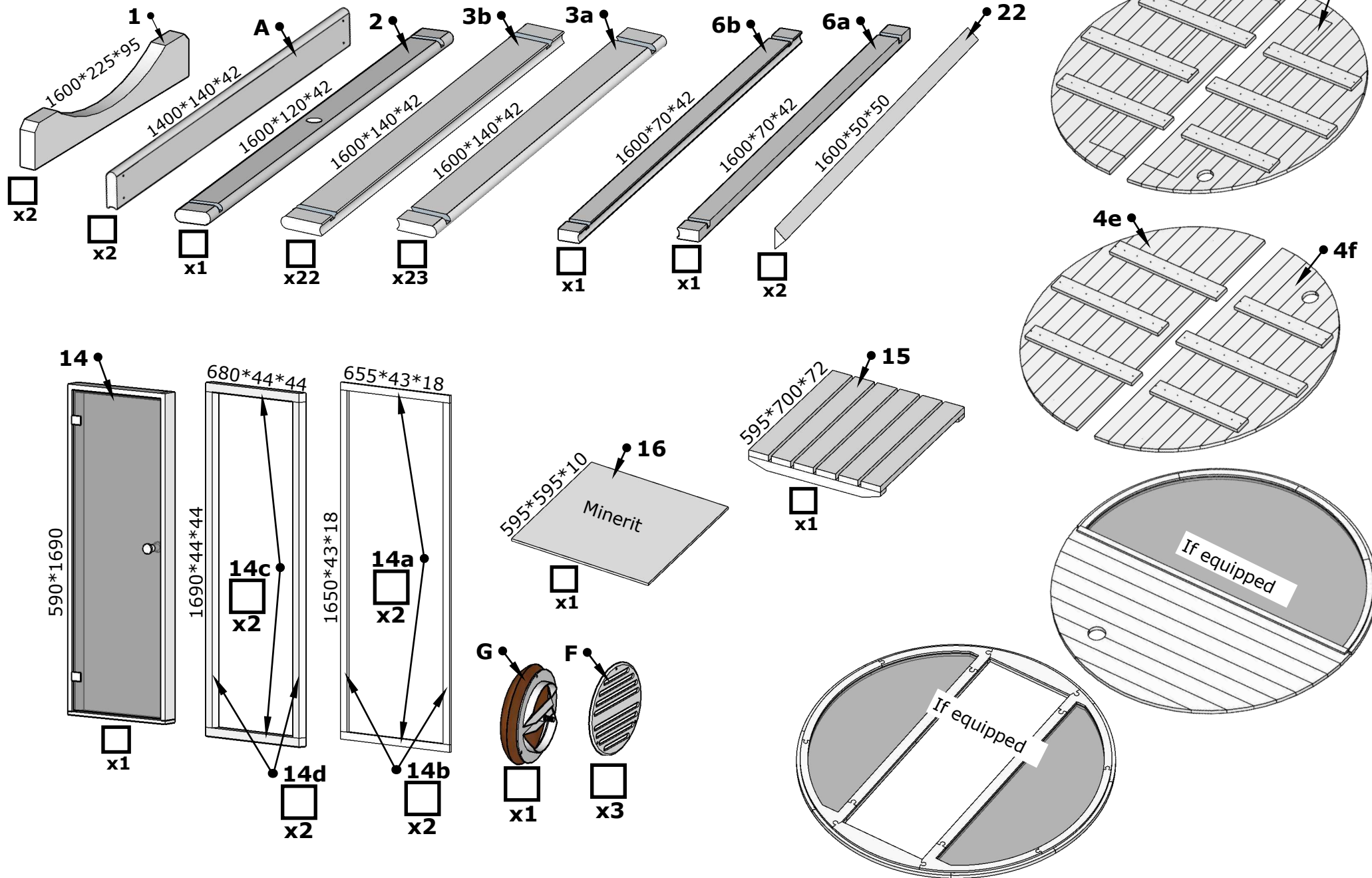
**Please read whole manual  
before You start.**

**All given measurements are  
in millimeters.**



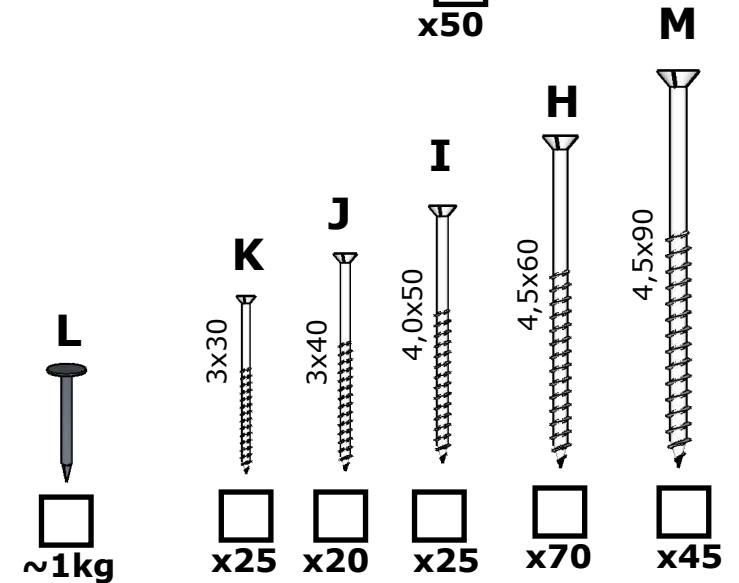
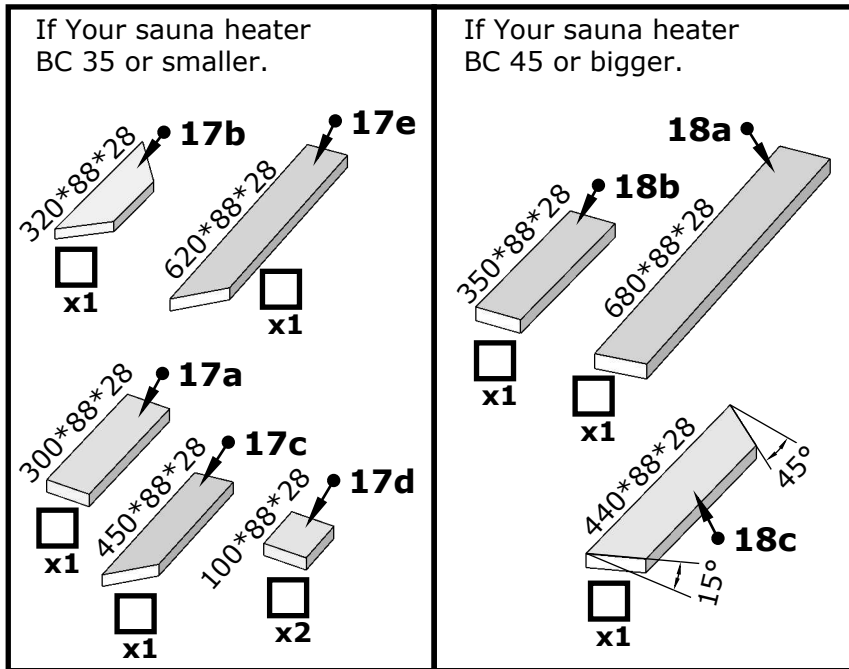
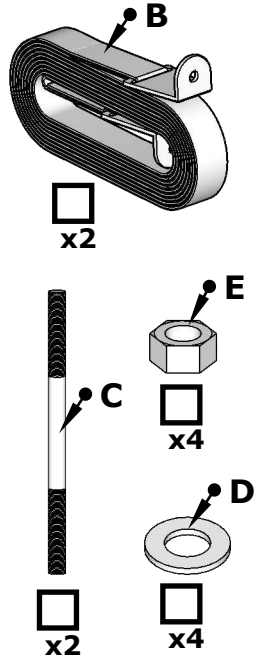
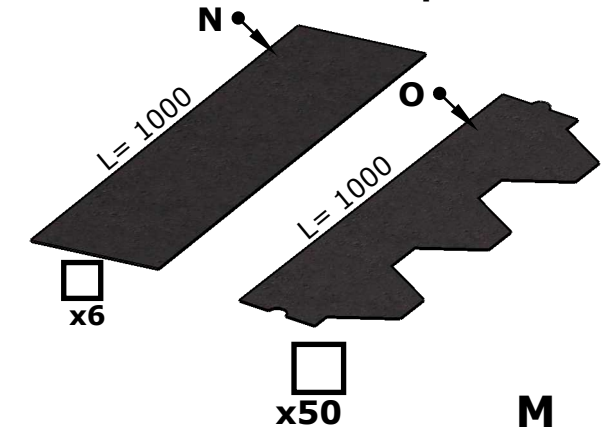
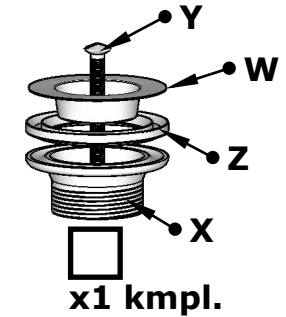
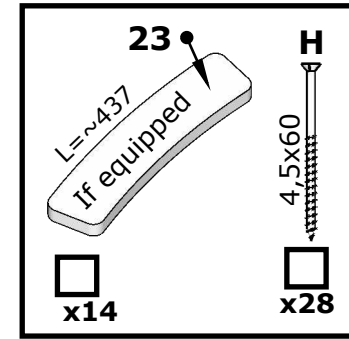
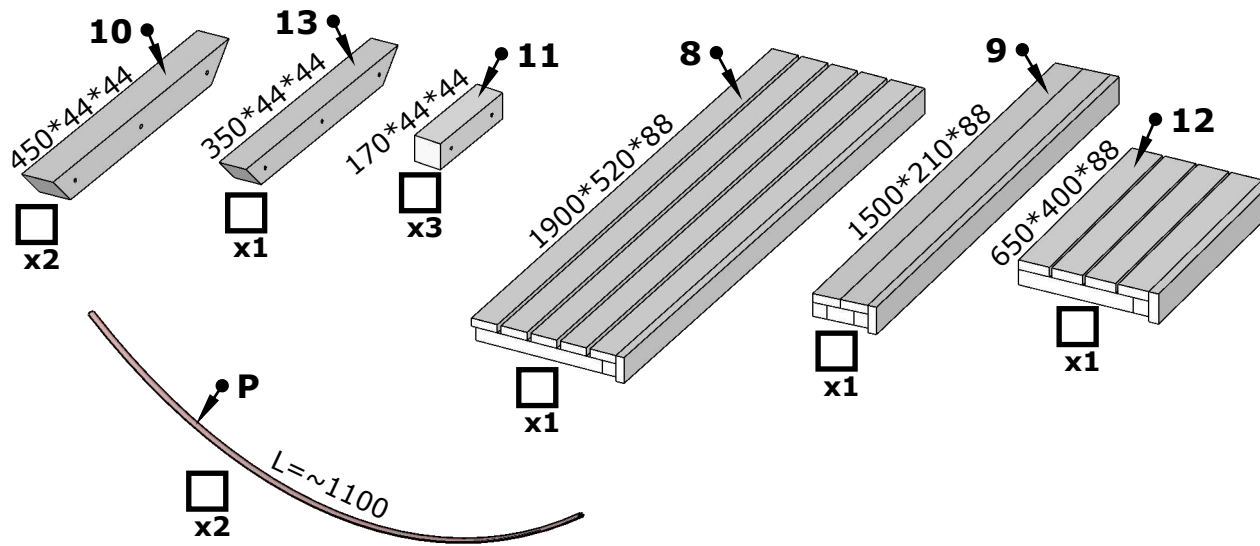
# Sauna 160, Ø200

## Details list nr.1

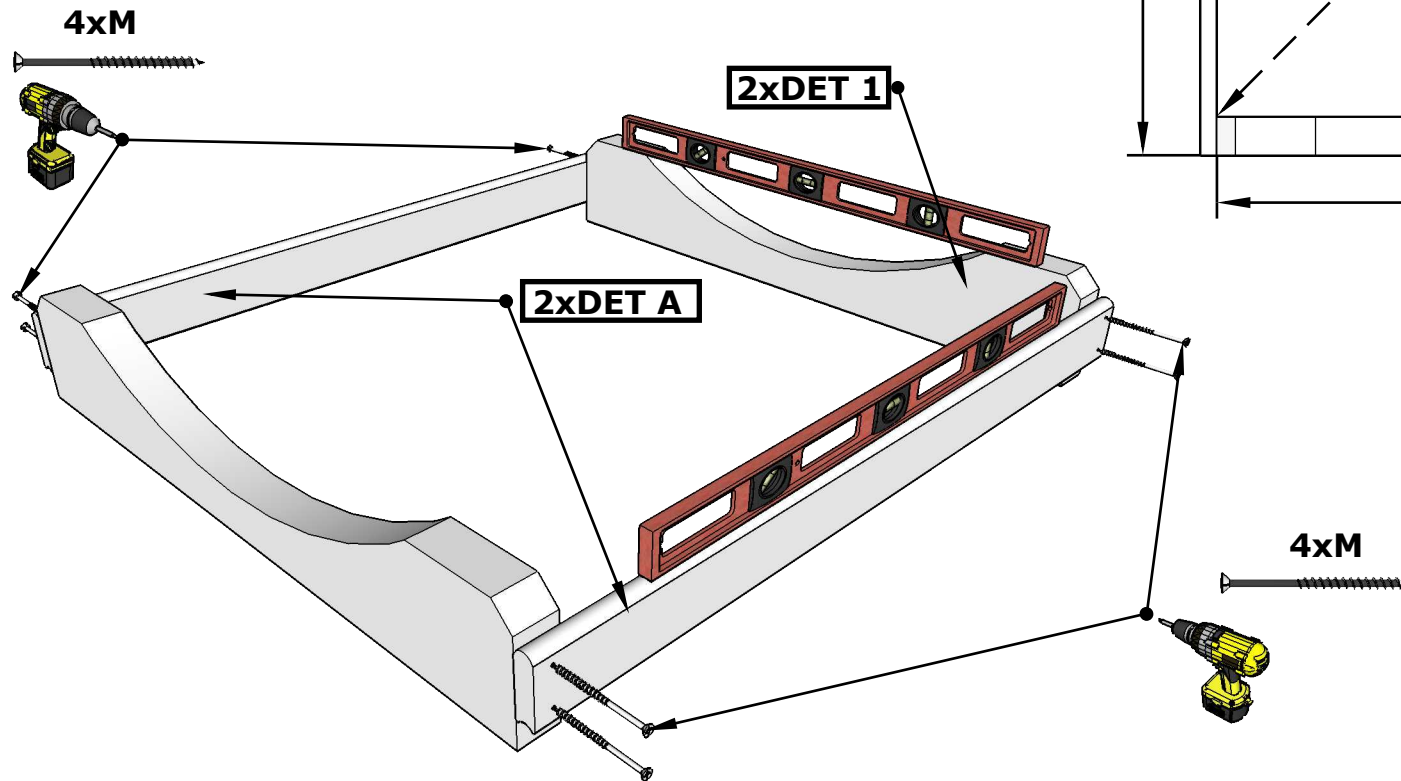
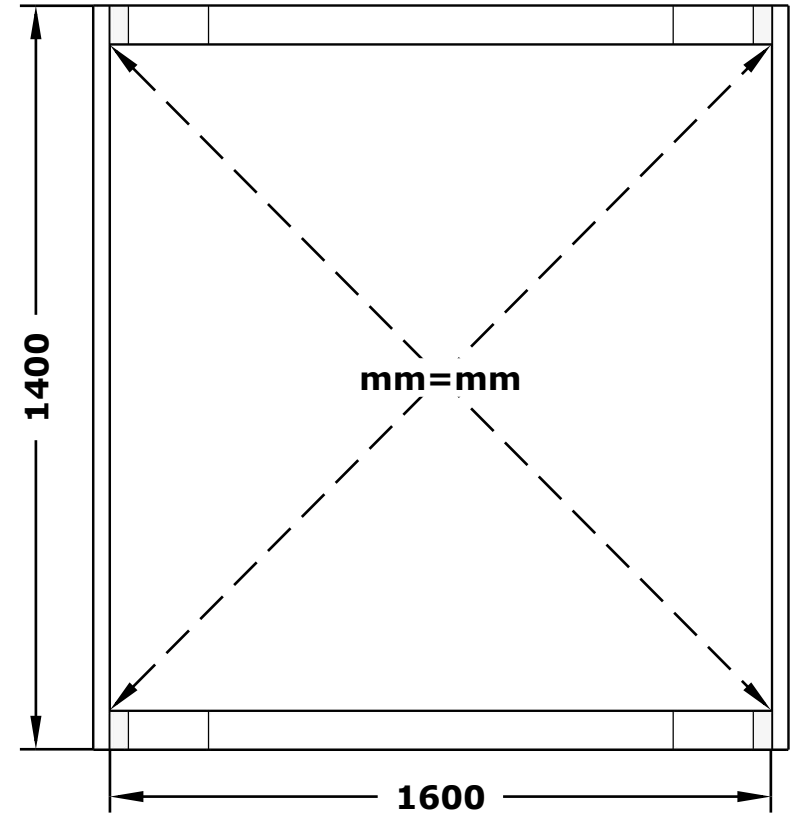
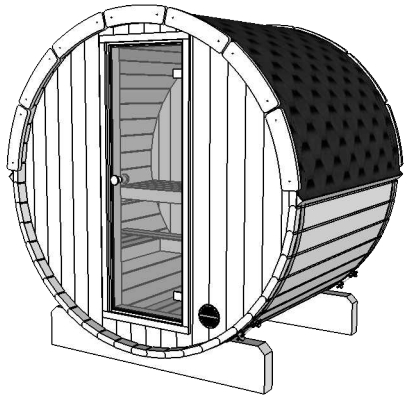


# Sauna 160, Ø200

## Details list nr.2

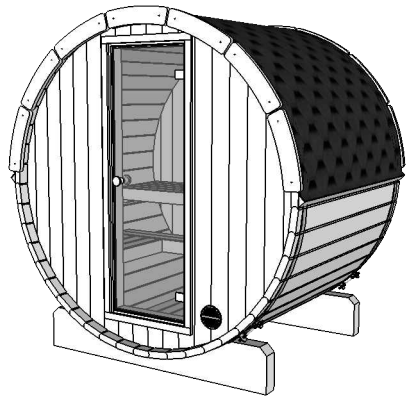


# Sauna 160, Ø200

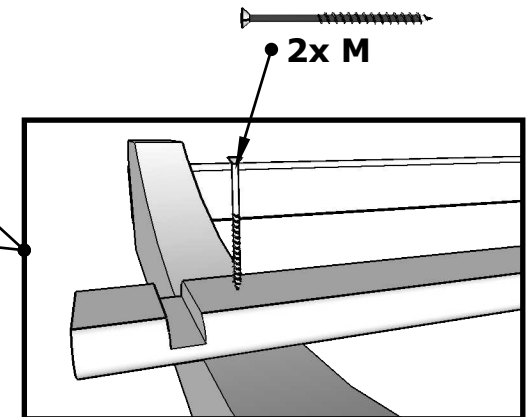
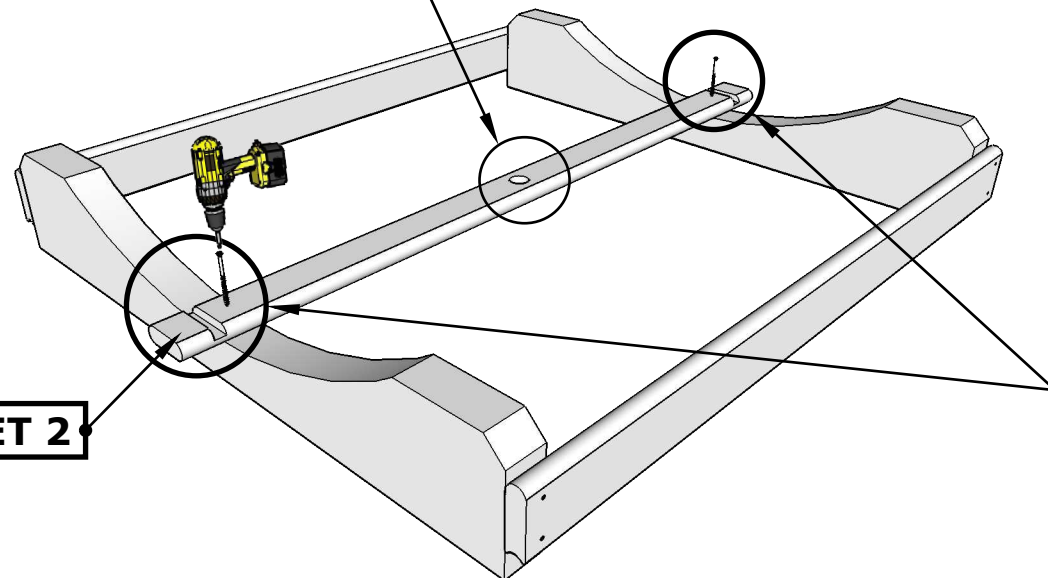
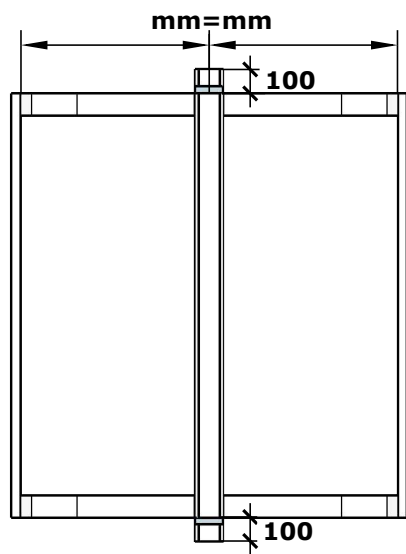
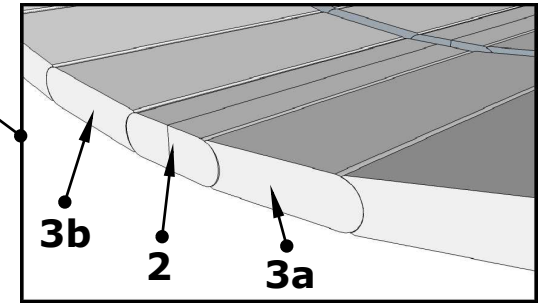
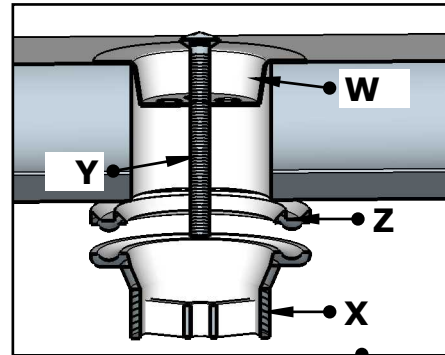
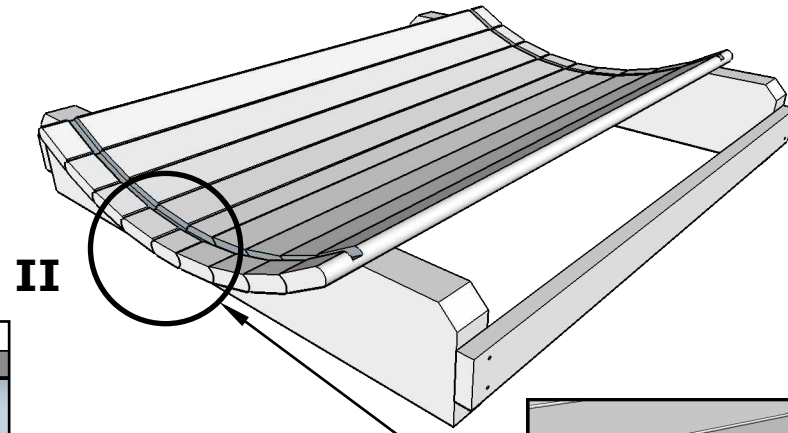


1.

# Sauna 160, Ø200



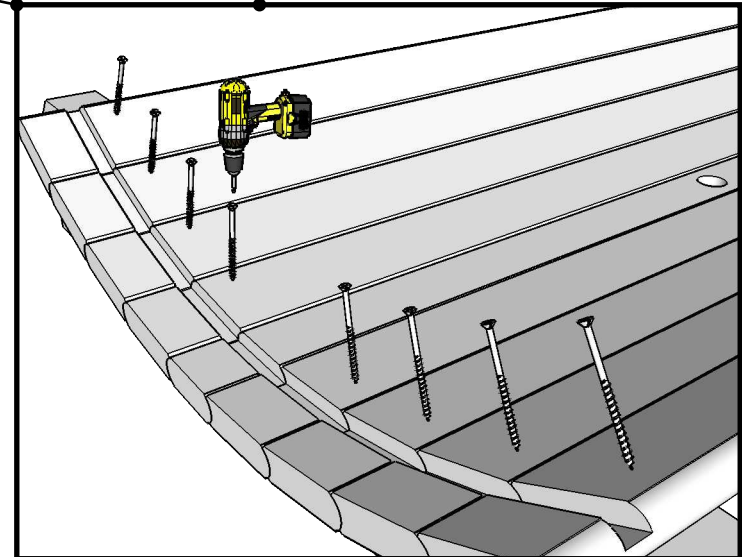
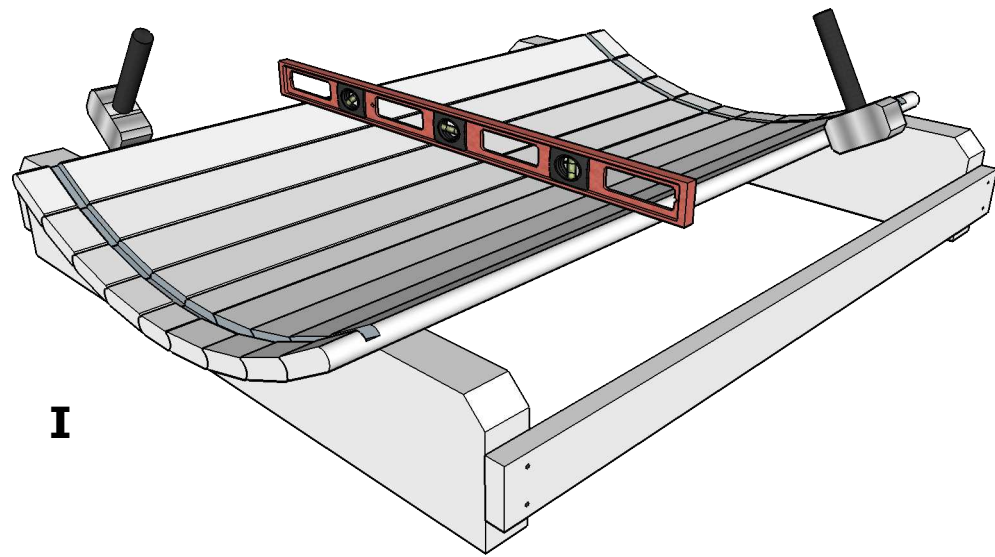
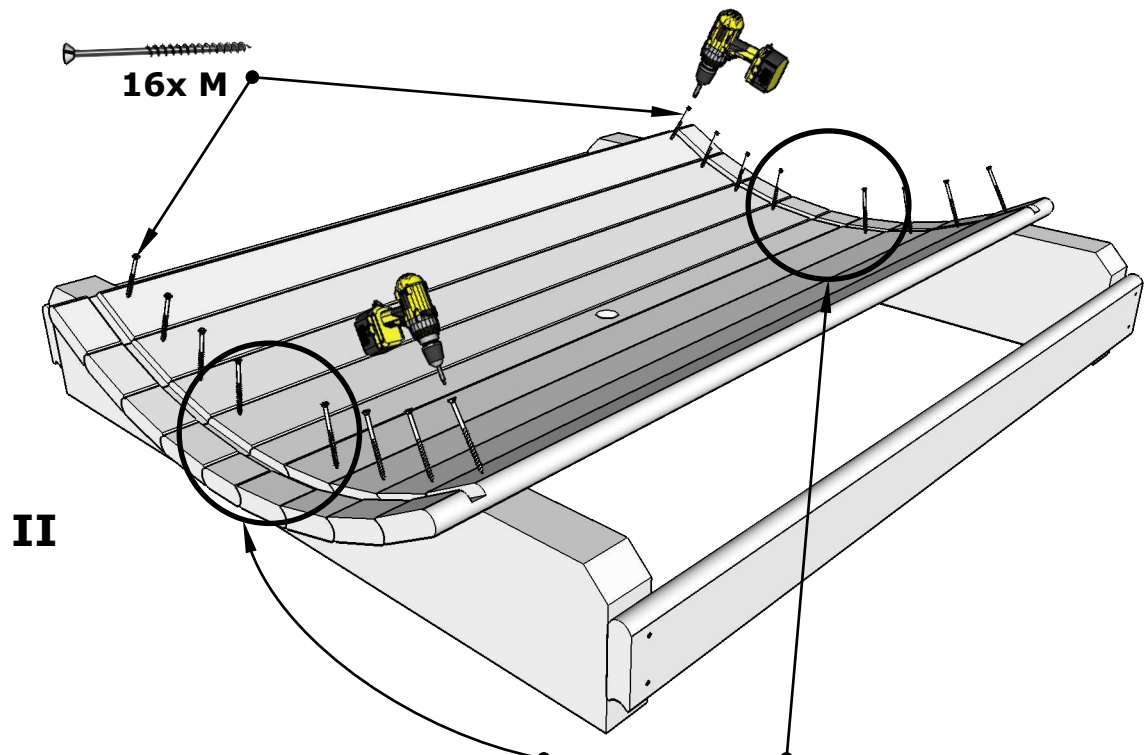
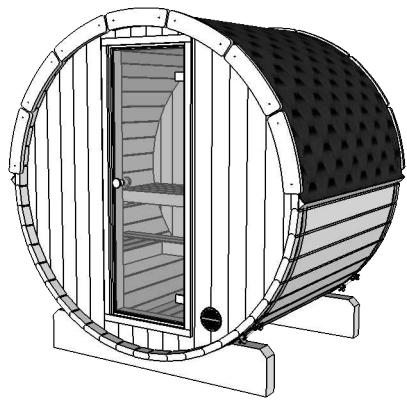
4 x DET 3a  
4 x DET 3b



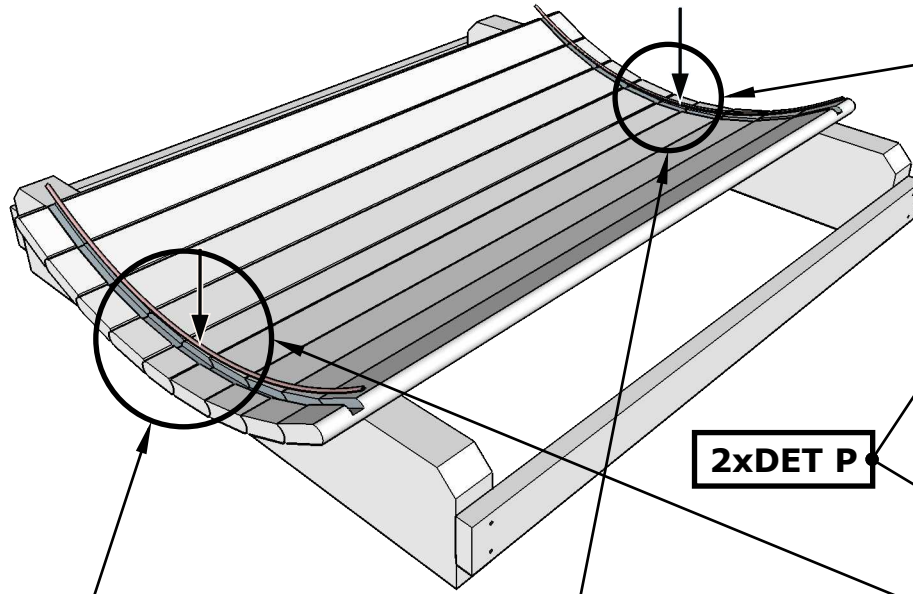
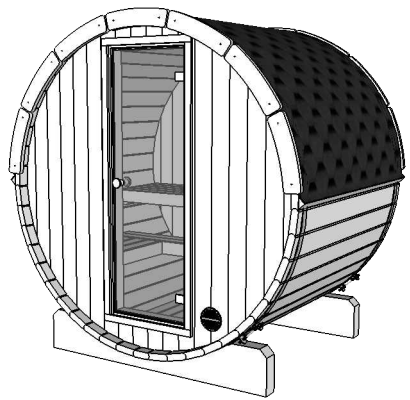
I

1x DET 2

# Sauna 160, Ø200

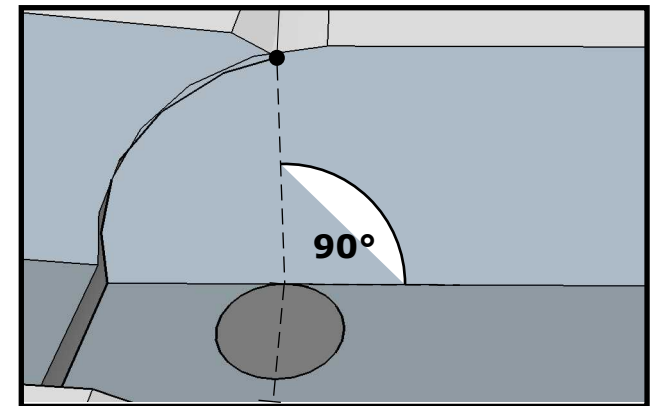
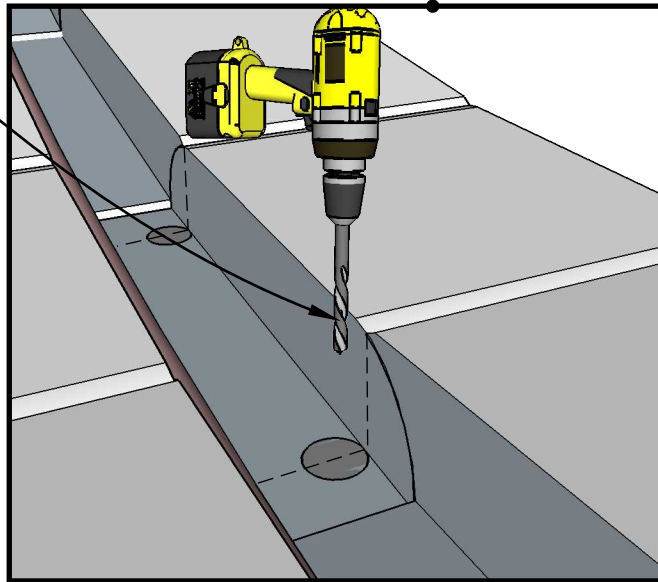
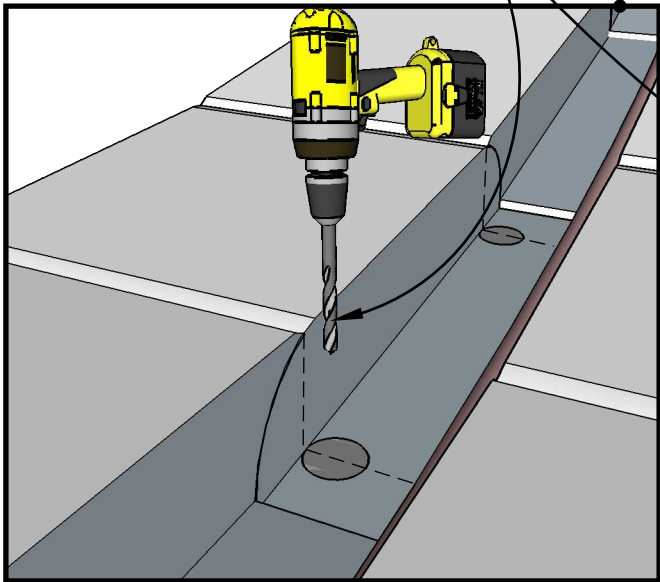
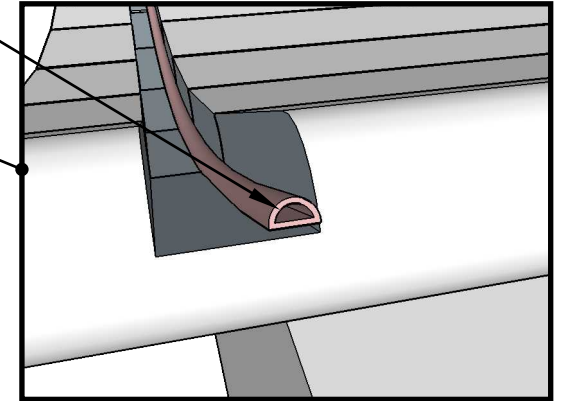
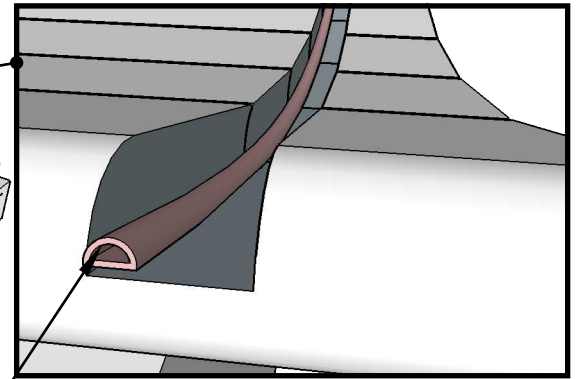


# Sauna 160, Ø200



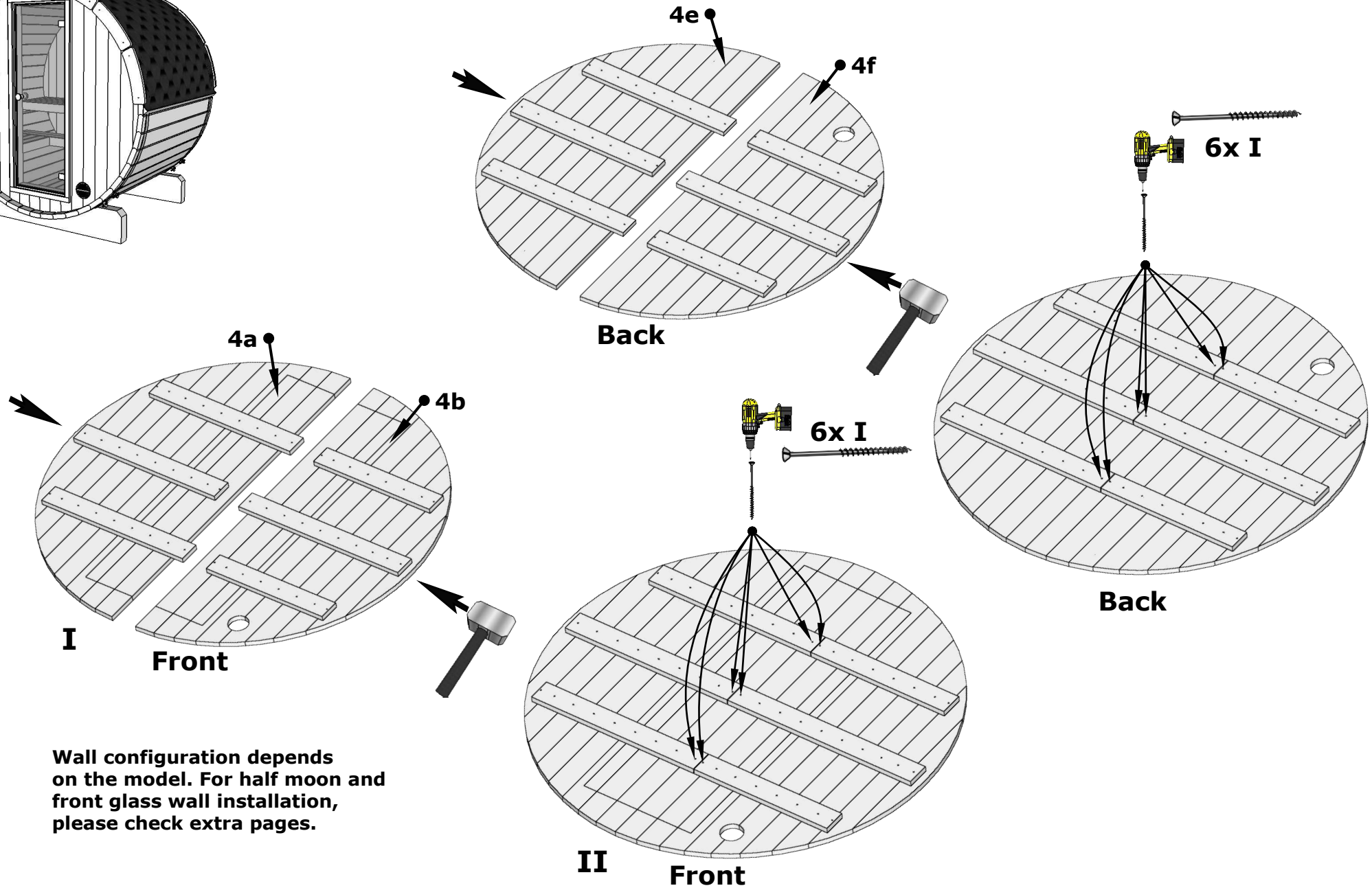
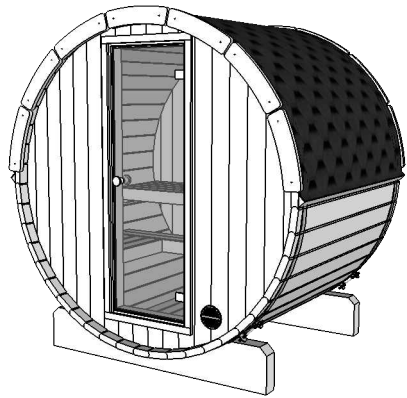
Drill 2 holes into  
DET 2 Ø10mm.

2xDET P



3a.

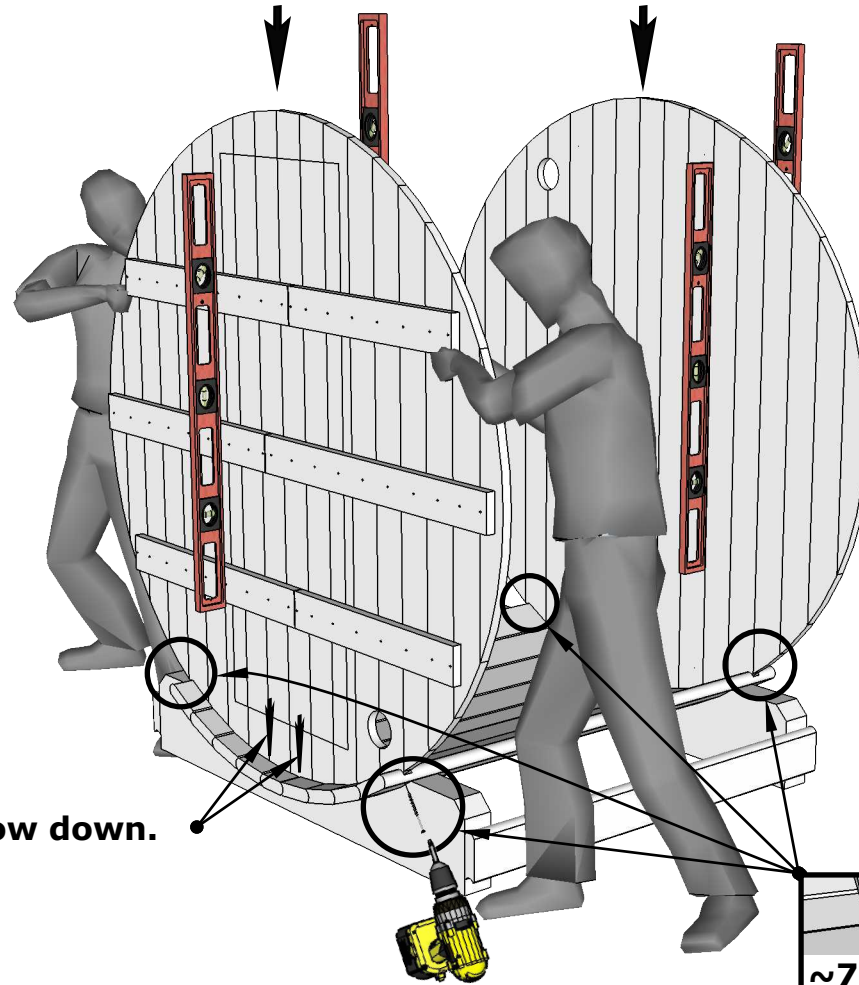
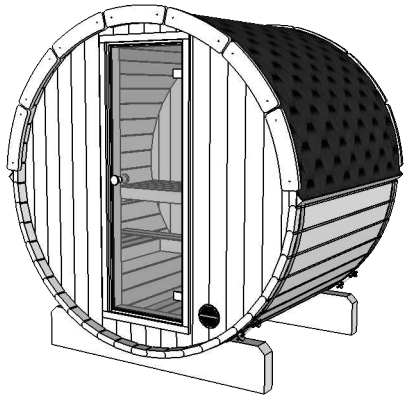
# Sauna 160, Ø200



Wall configuration depends on the model. For half moon and front glass wall installation, please check extra pages.



# Sauna 160, Ø200

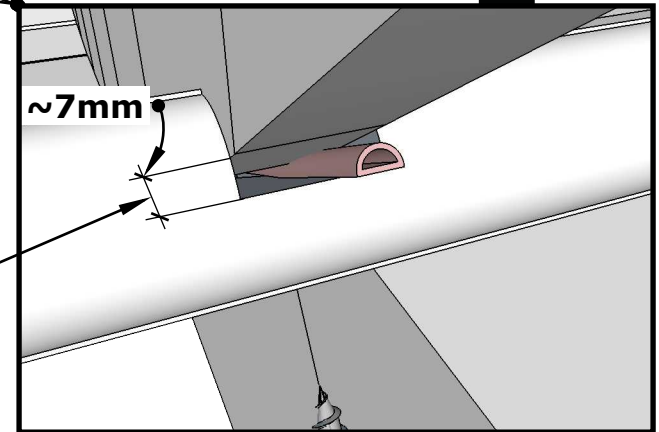
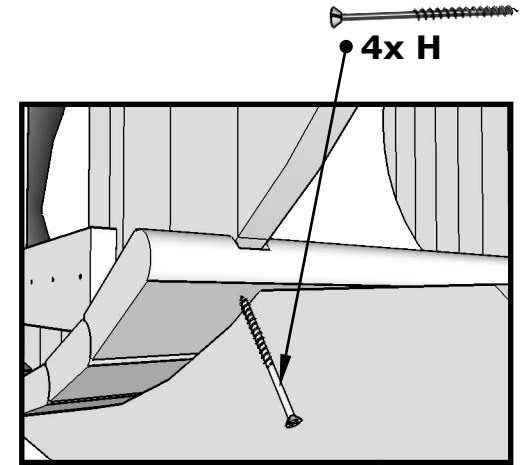


Use waterlevel.

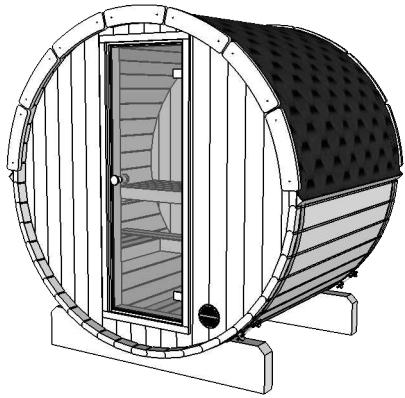
NB! Arrow down.

Wall configuration depends on the model.

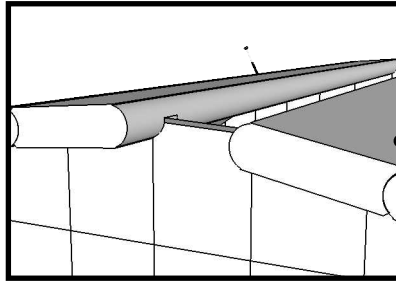
Important!  
Keep distance!



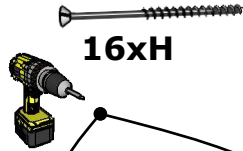
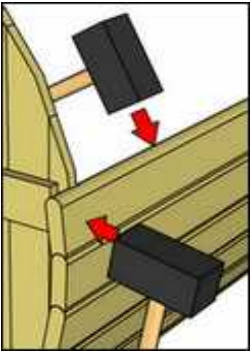
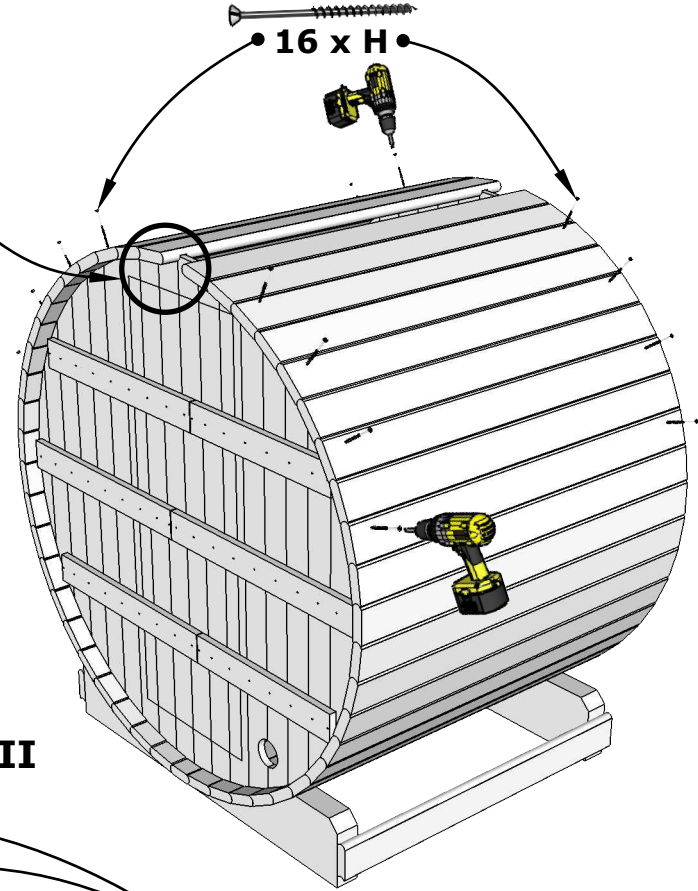
# Sauna 160, Ø200



Check page 6A



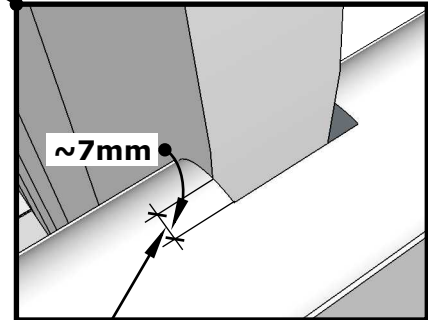
11x DET 3a  
10x DET 3b



8x DET 3a  
8x DET 3b

I

II



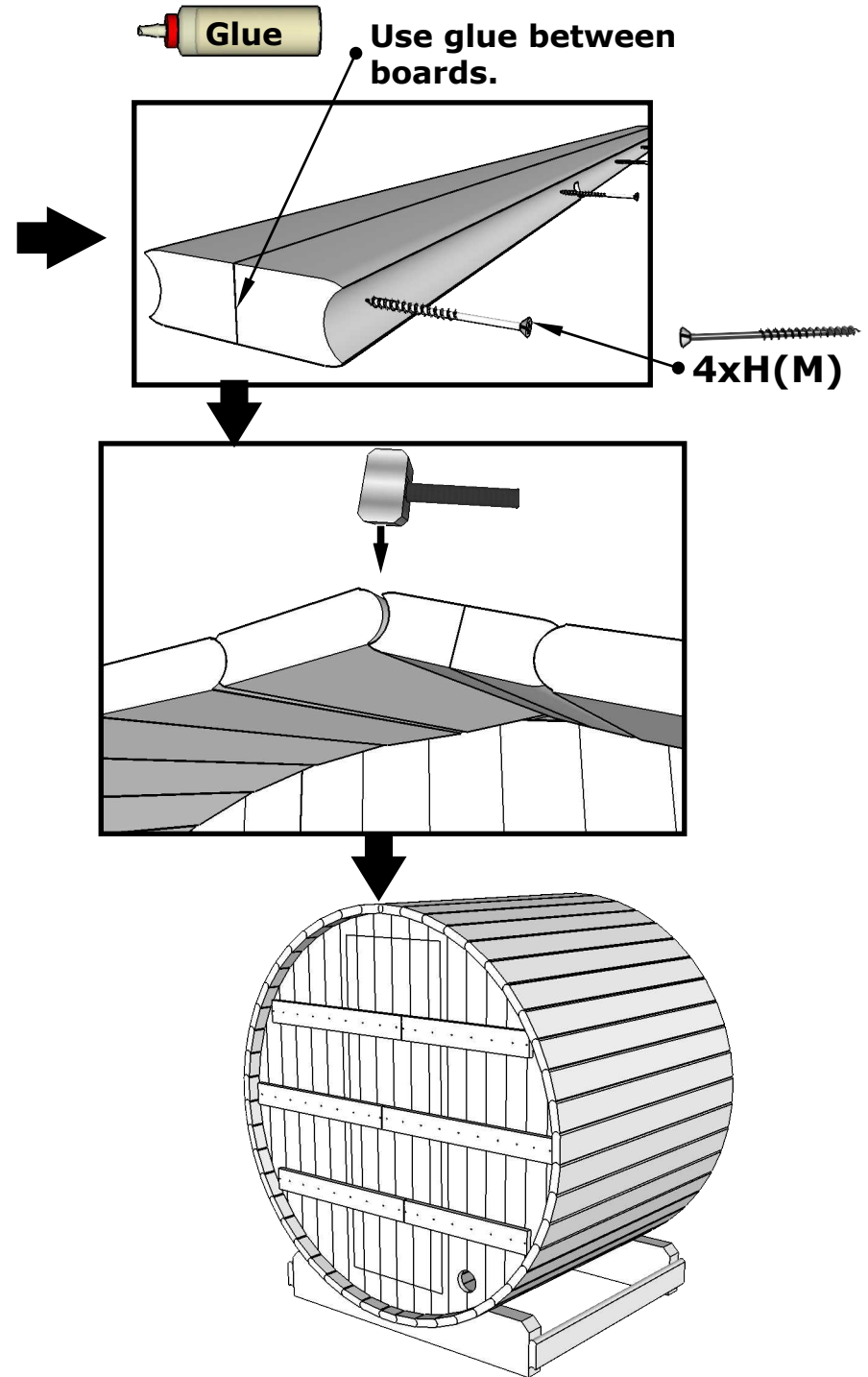
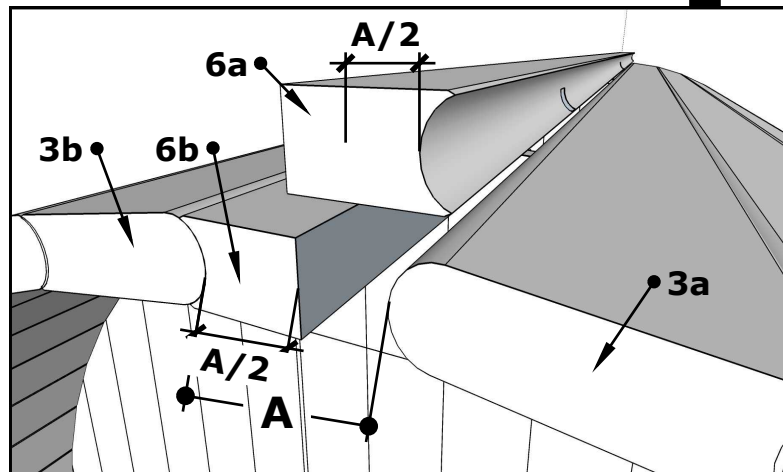
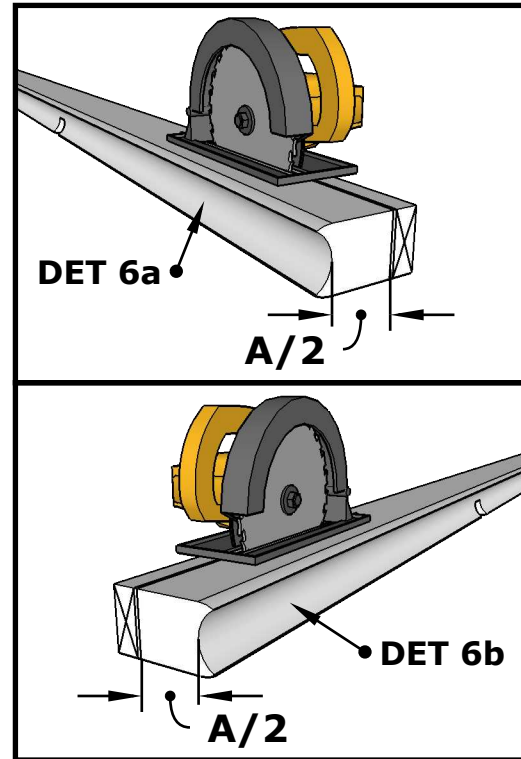
Important!  
Keep distance!

6.

# Sauna 160, Ø200

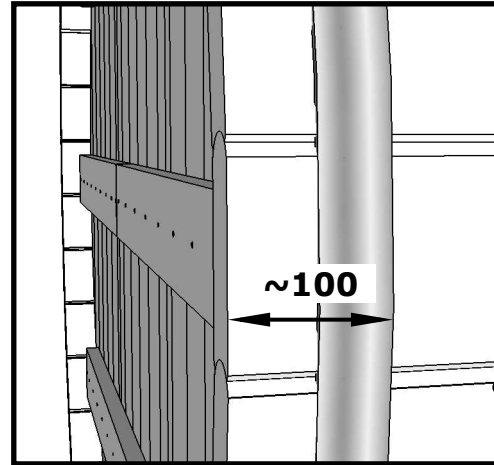


**Important !!!**



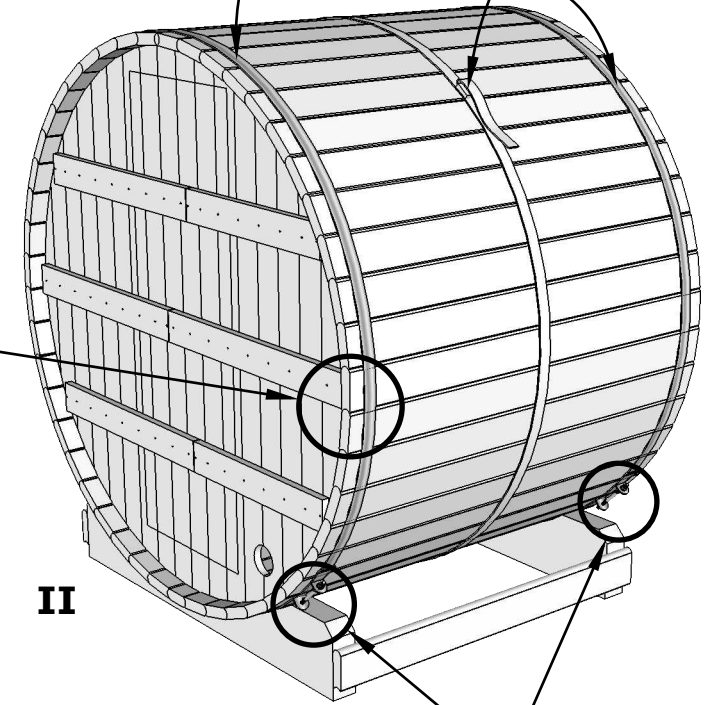
**6a.**

# Sauna 160, Ø200



2x DET B

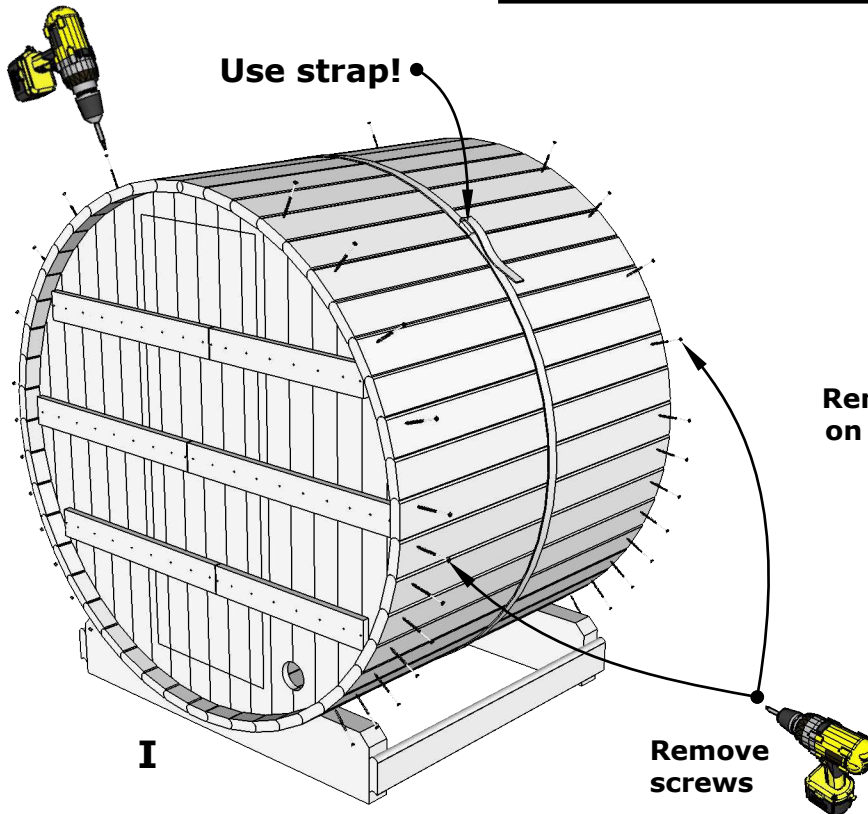
Remove



II

Remove screws

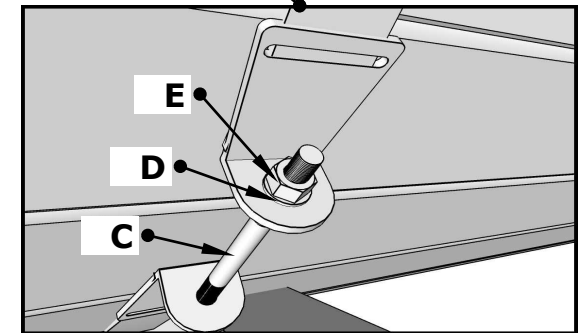
Use strap!



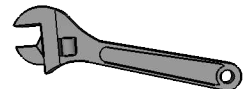
I

Remove screws

**Important!**  
Remove screws and use them on further sauna installation!



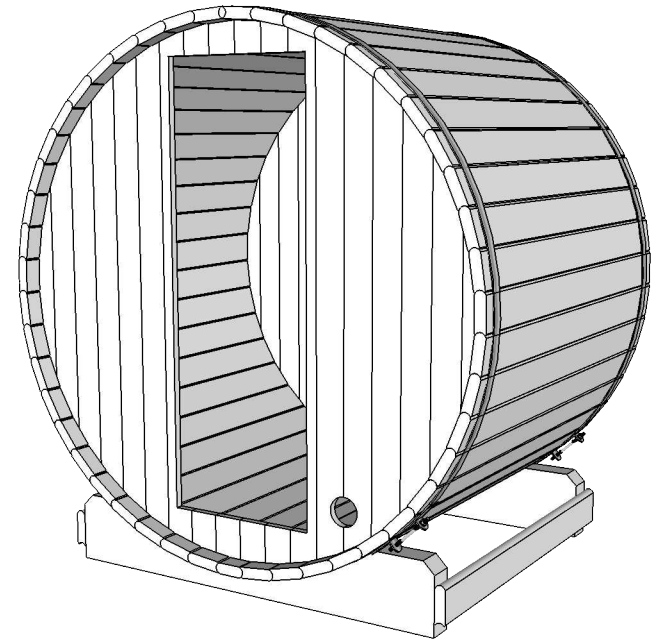
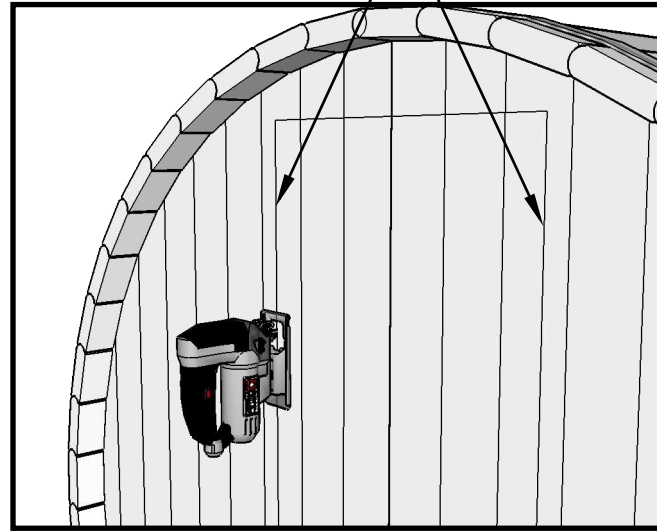
During assembly and retightening the threaded rods, use oil (Würth HPS 1400 or similar) to avoid "cold welding" and it is also easier tightening.



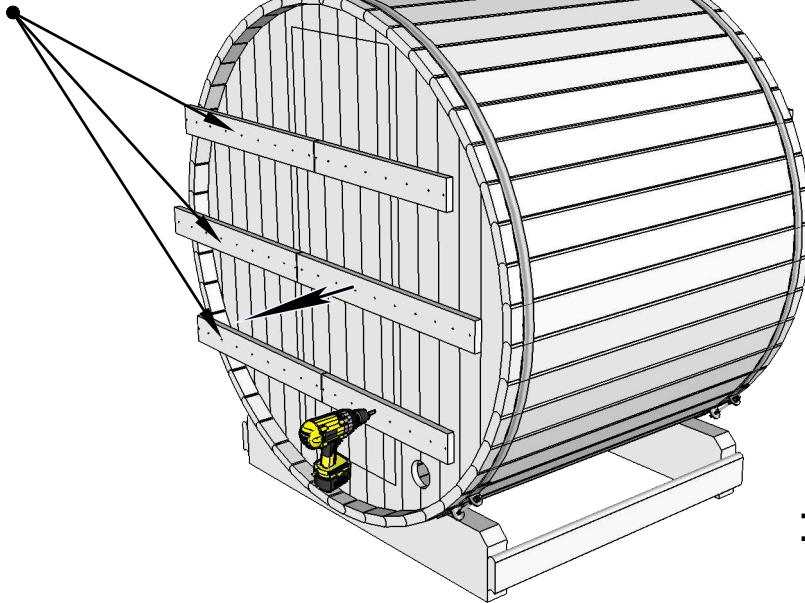
# Sauna 160, Ø200



Cut out, follow the guidelines.

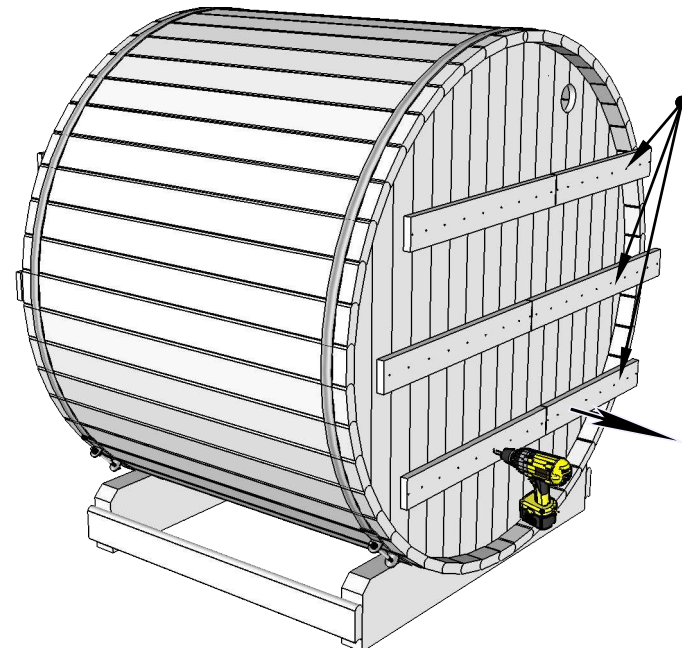


Remove all brackets.

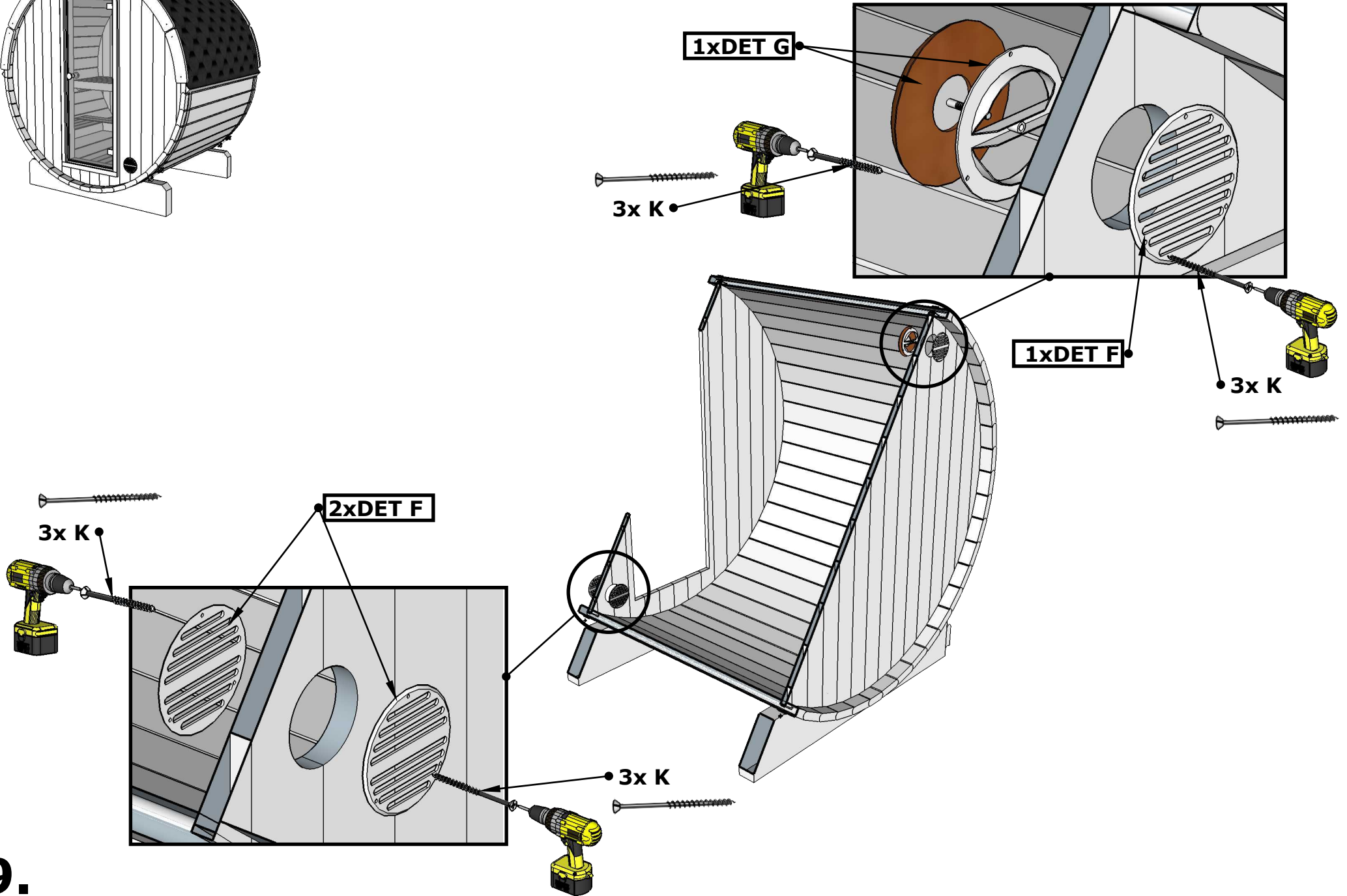


I

Remove all brackets.

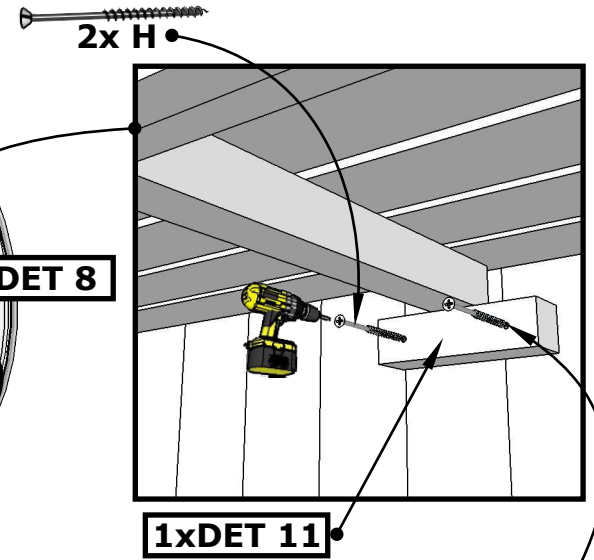
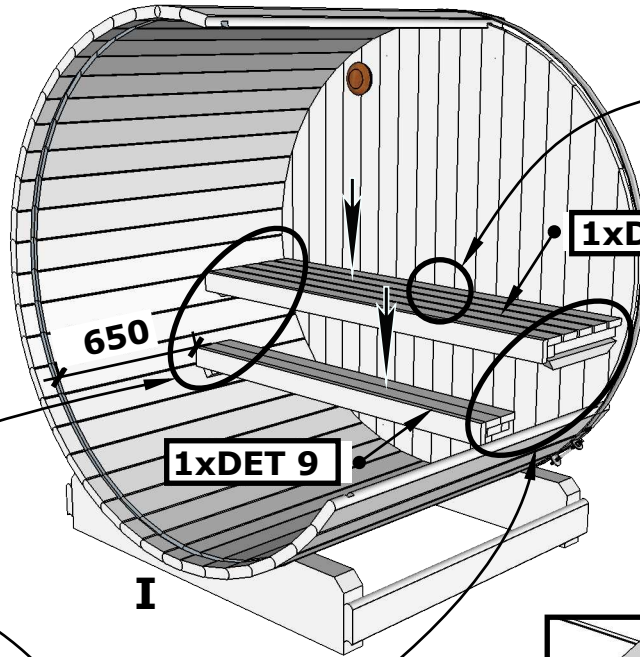


# Sauna 160, Ø200

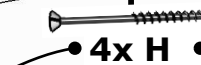
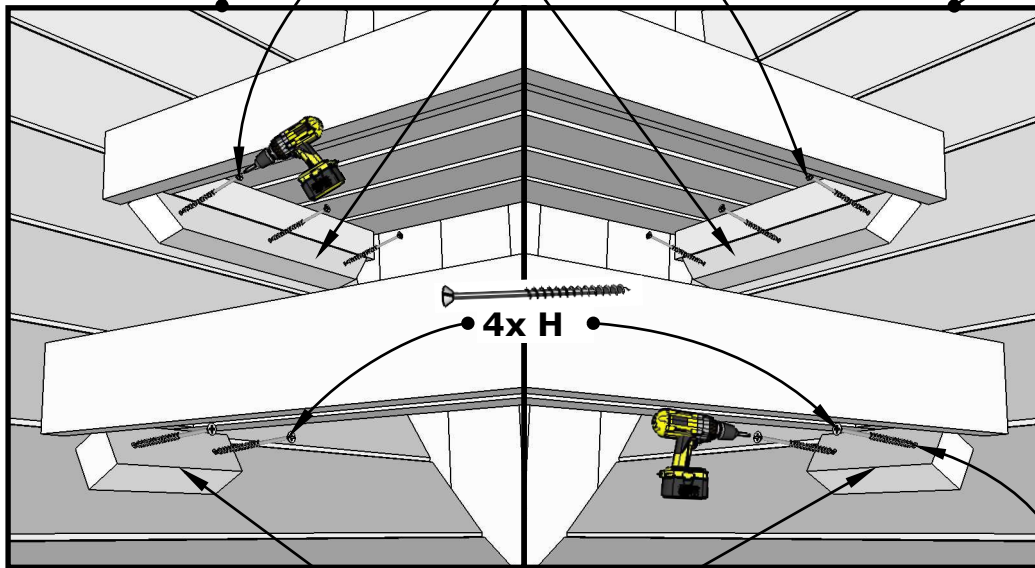
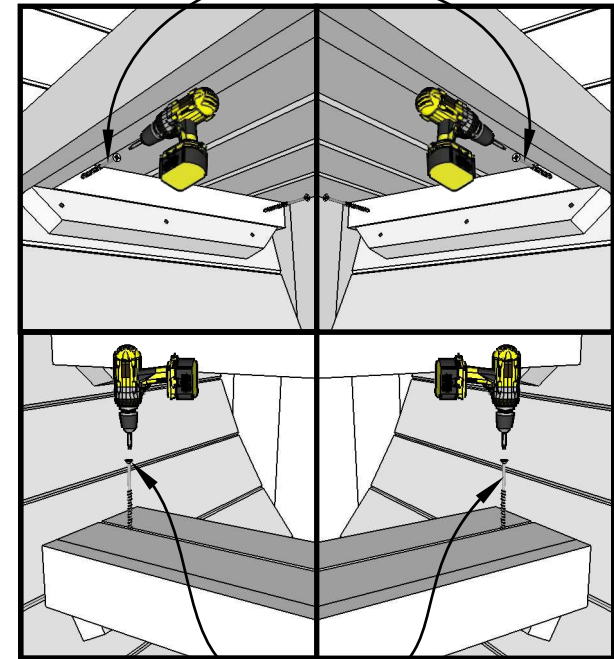
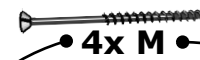
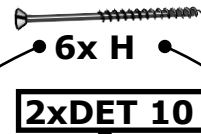


9.

# Sauna 160, Ø200



Drill hole Ø4mm before screw

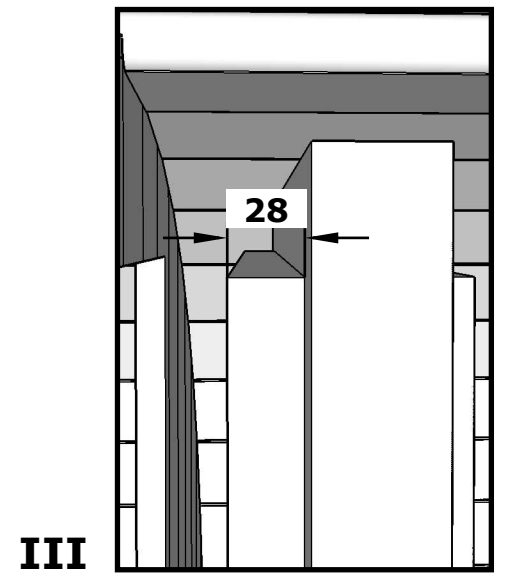
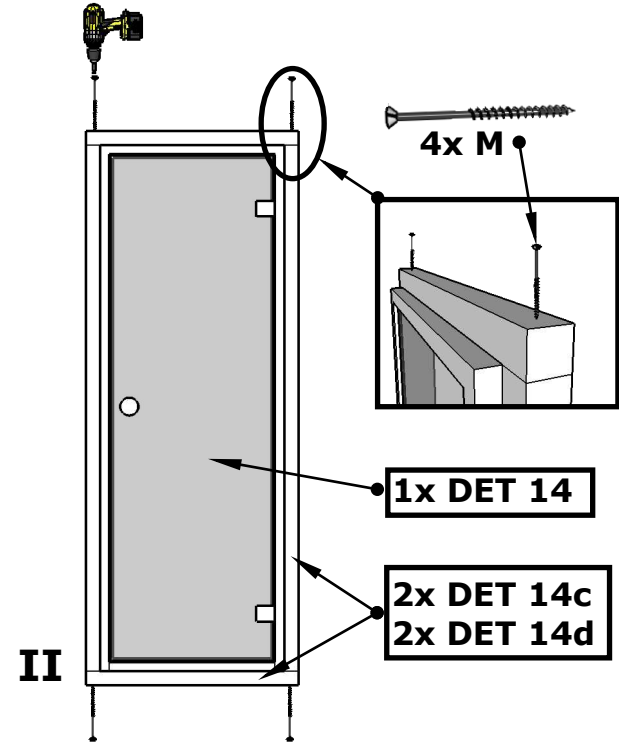
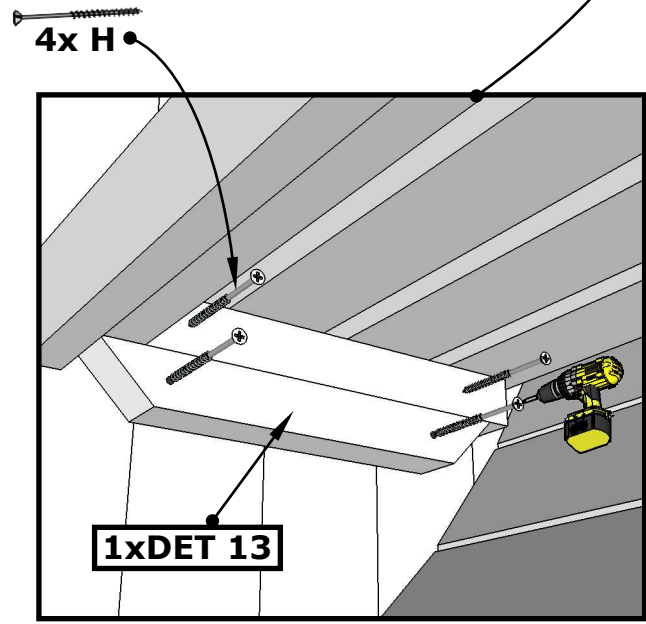
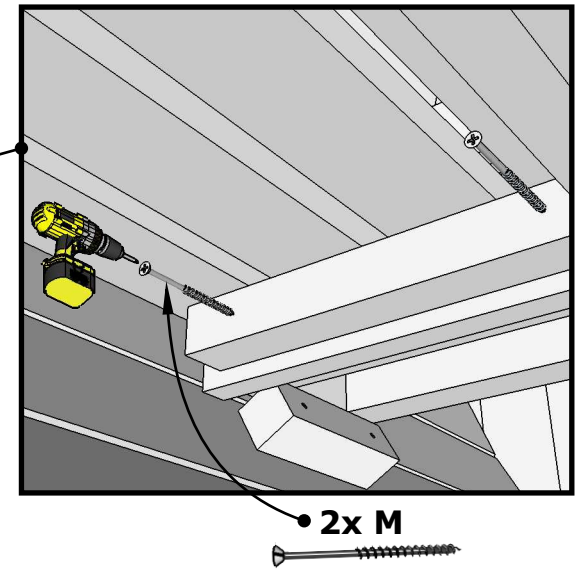
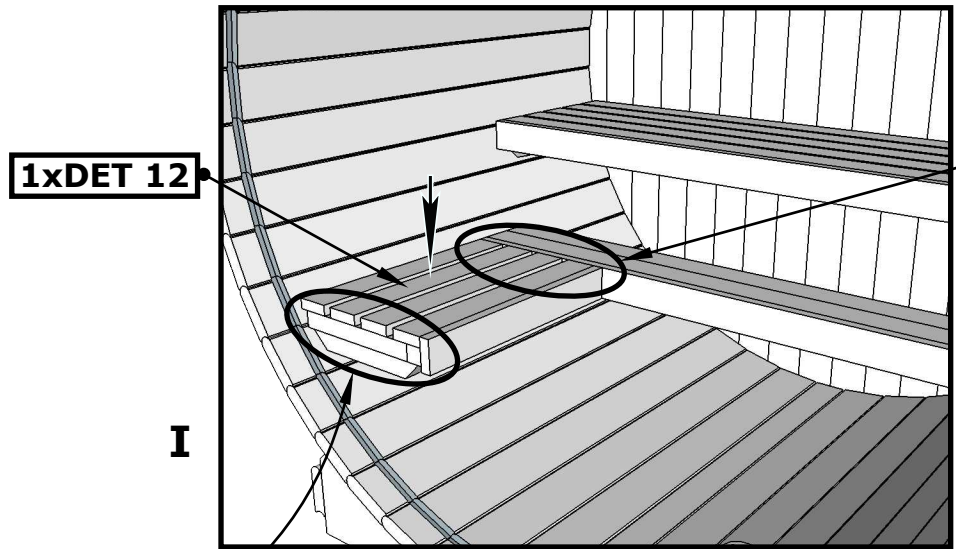


Drill hole Ø4mm before screw

II

III

# Sauna 160, Ø200





# Sauna 160, Ø200

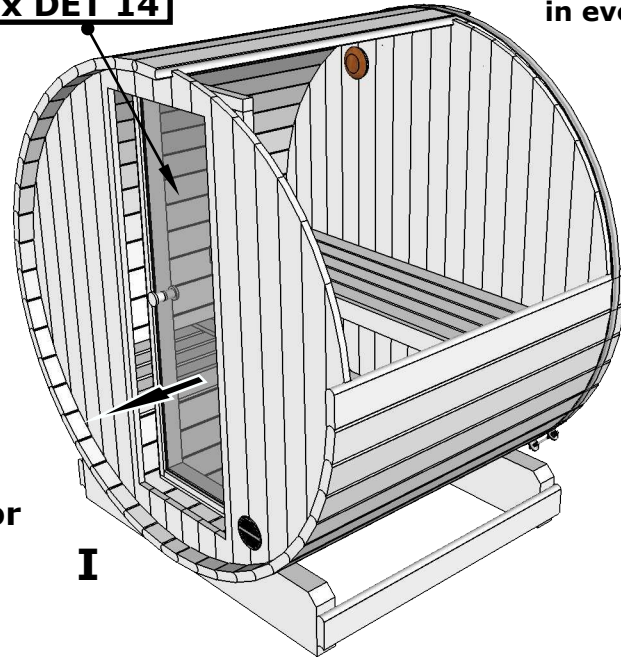


Use waterlevel for door installation.

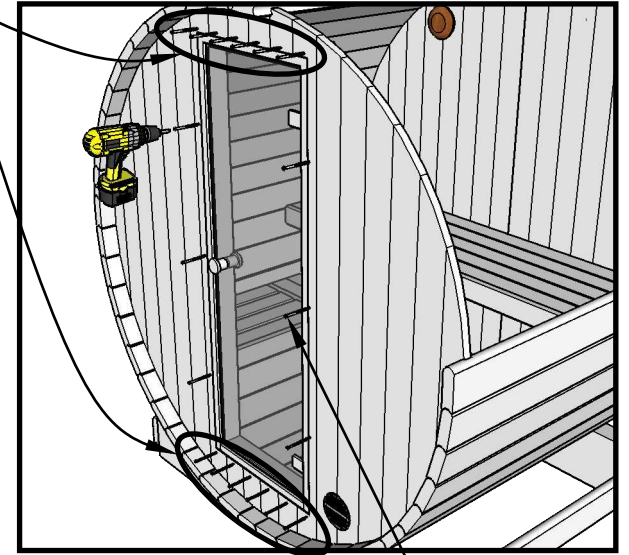
NB! Place door from inside.

1x DET 14

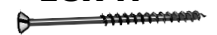
Horizontally fix screw in every board.



II



18x H



14x J

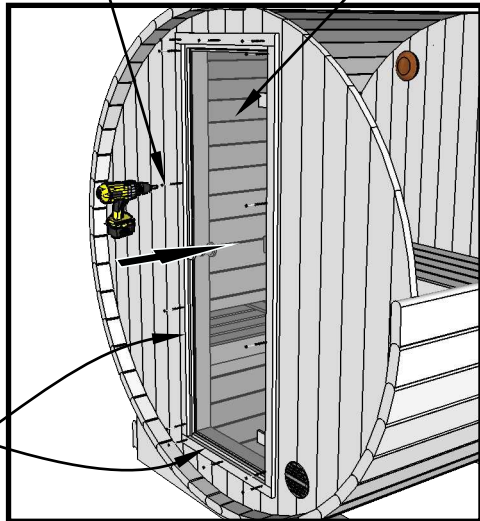
Push door against the wall and fix it from other side.

8x H

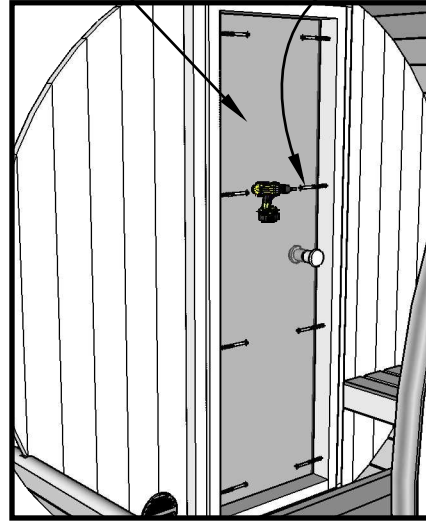
4x H

2x DET 14a  
2x DET 14b

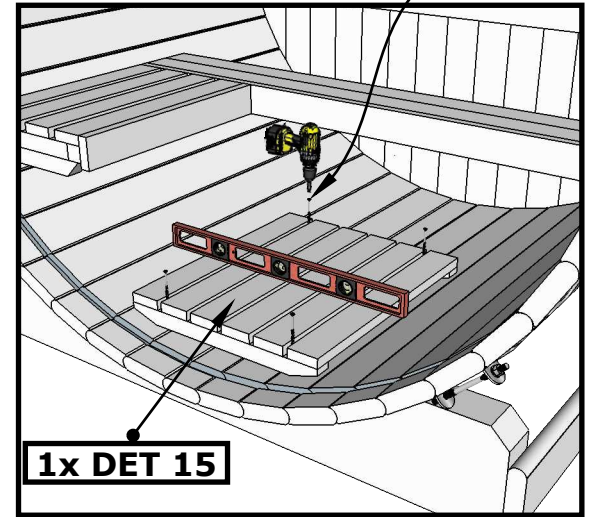
III



IV

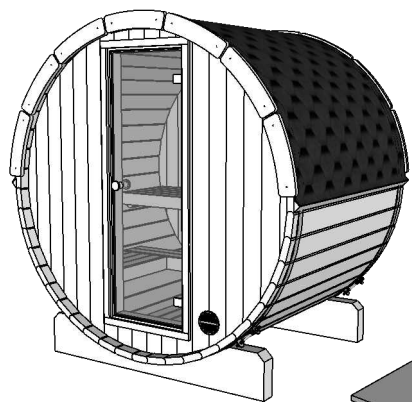


V

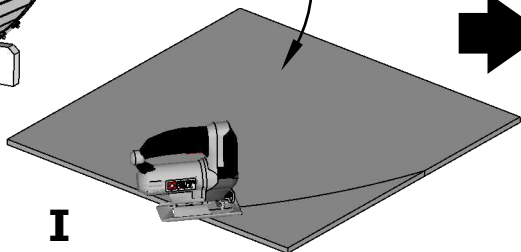


1x DET 15

# Sauna 160, Ø200

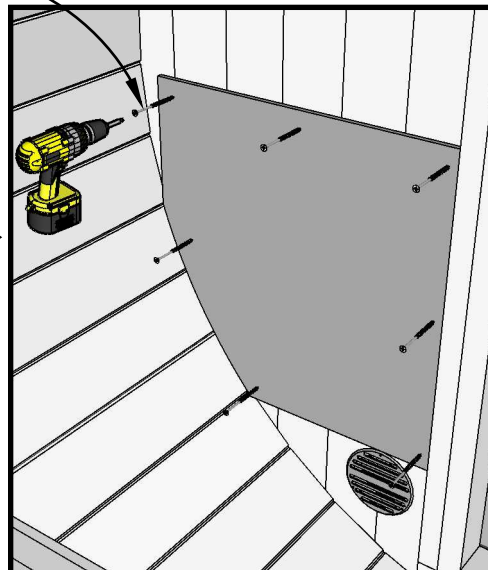


1x DET 16

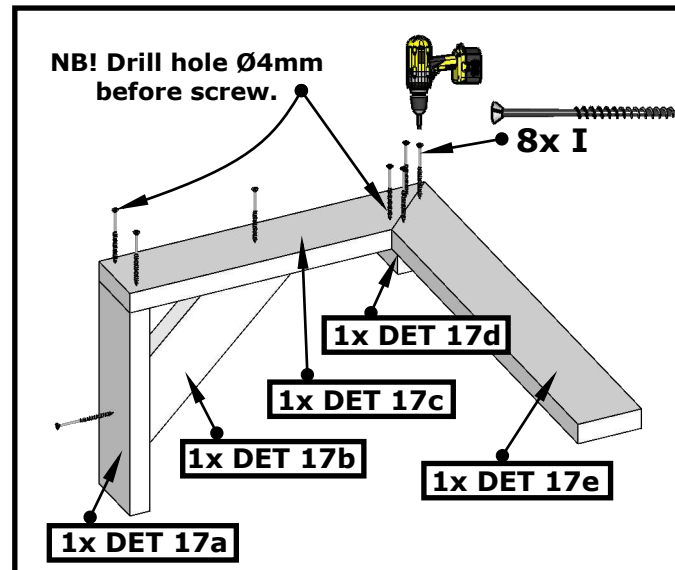


I

7x K

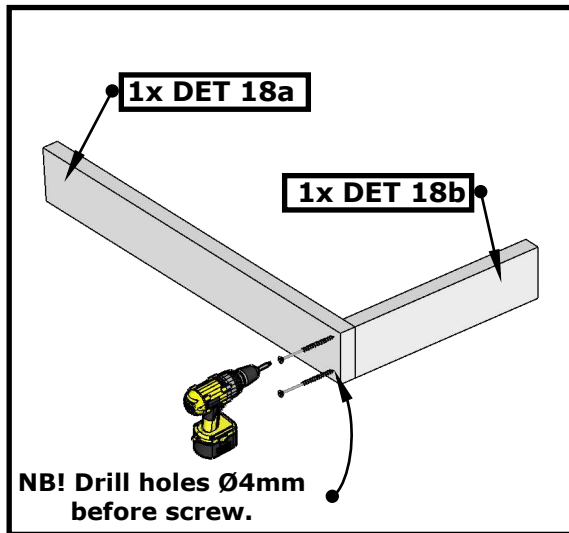


If Your sauna heater BC 35 or smaller.



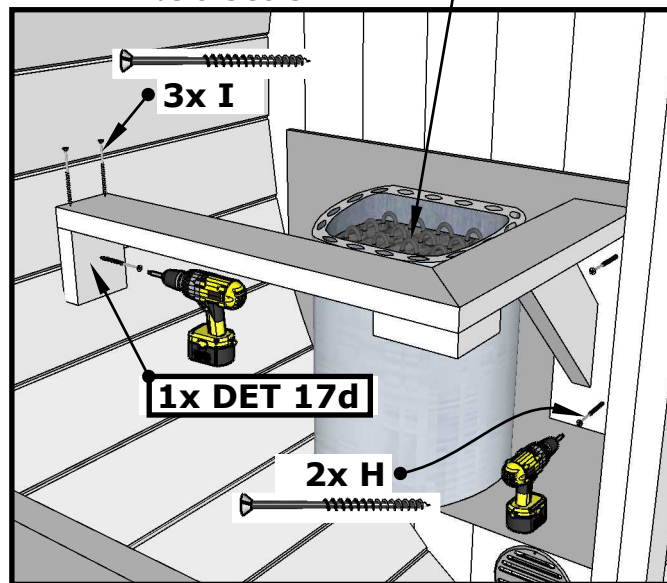
II

If Your sauna heater BC 45 or bigger.



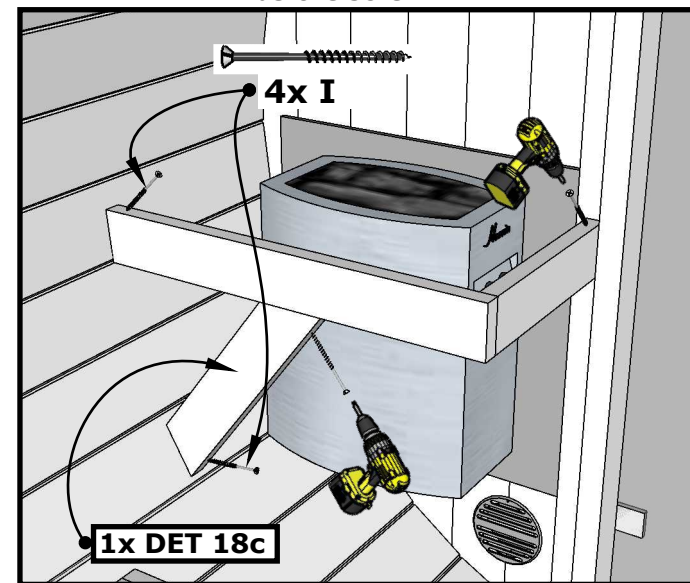
NB! Drill holes Ø4mm before screw.

NB! Place sauna heater first.



If Your sauna heater BC 35 or smaller.

NB! Drill holes Ø4mm before screw.



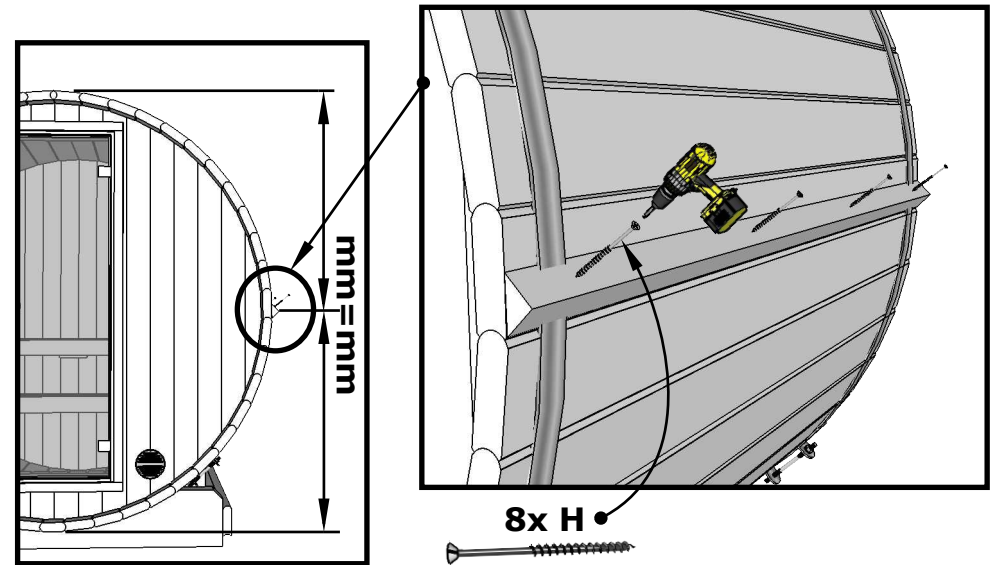
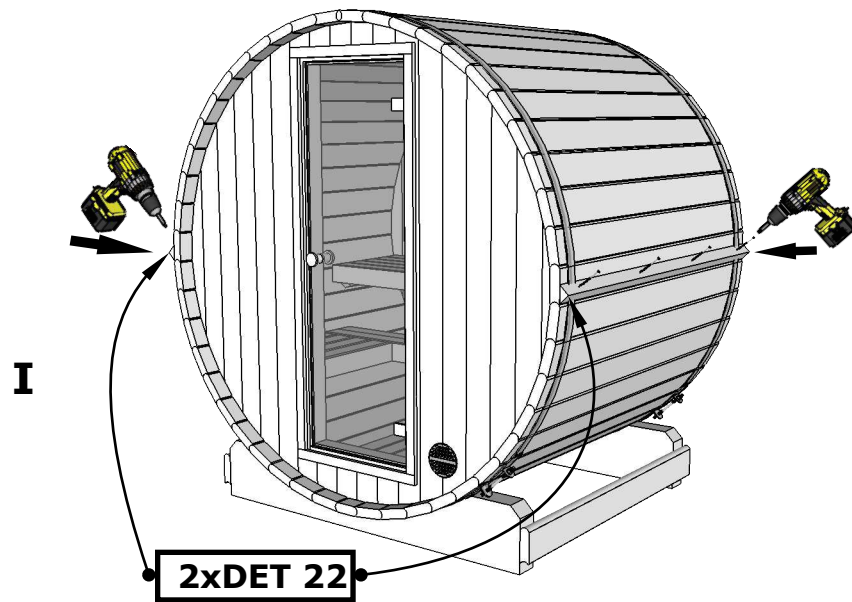
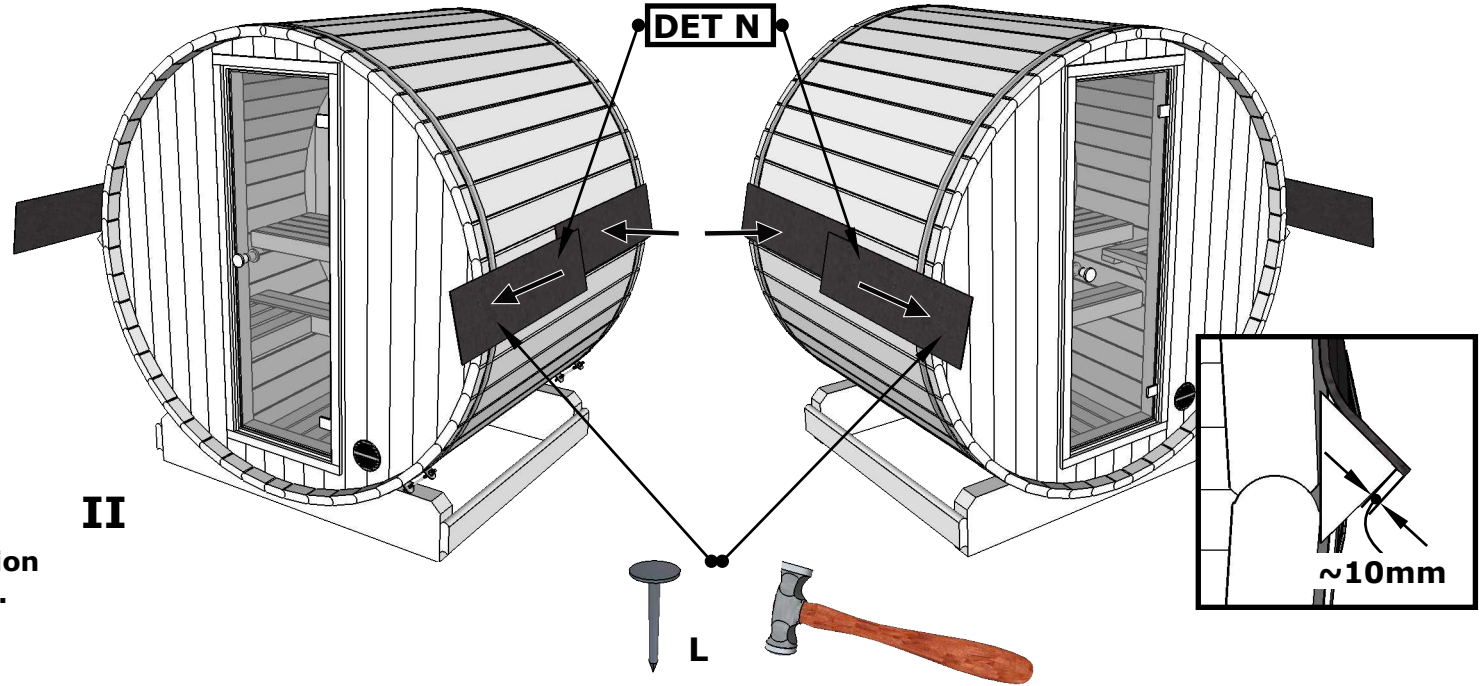
If Your sauna heater BC 45 or bigger.

# Sauna 160, Ø200



Model with endboards.

NB! Check also shingles installation manual inside shingles packages.



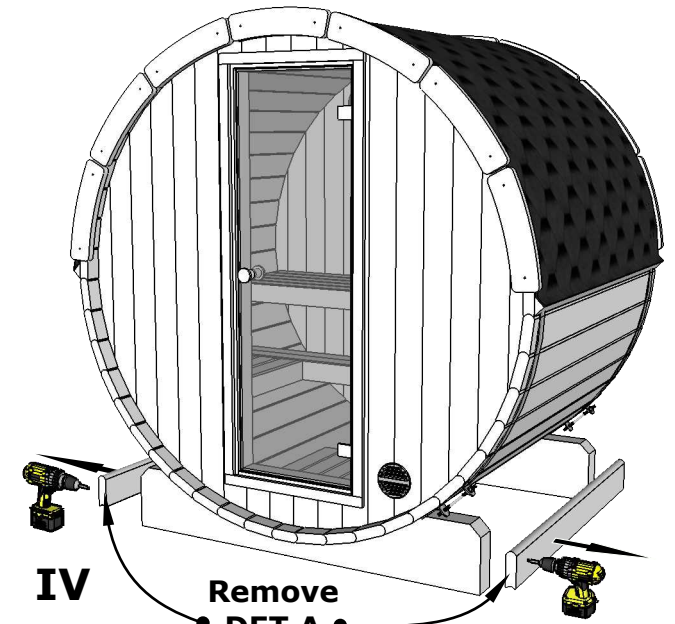
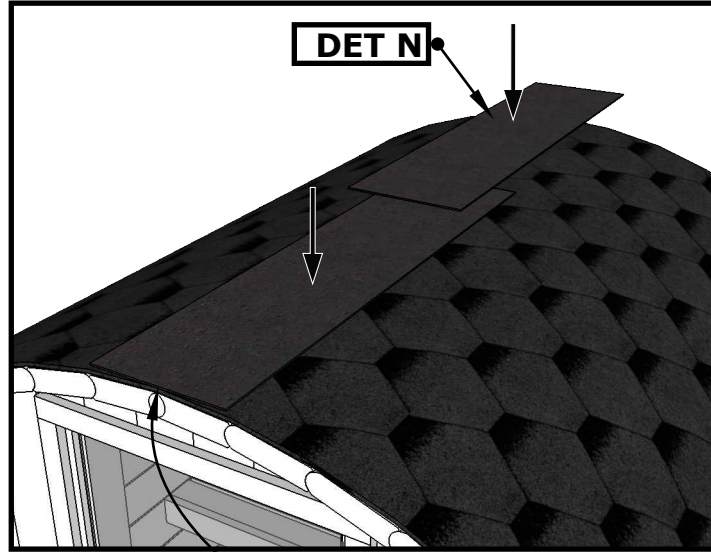
# Sauna 160, Ø200



Model with endboards.

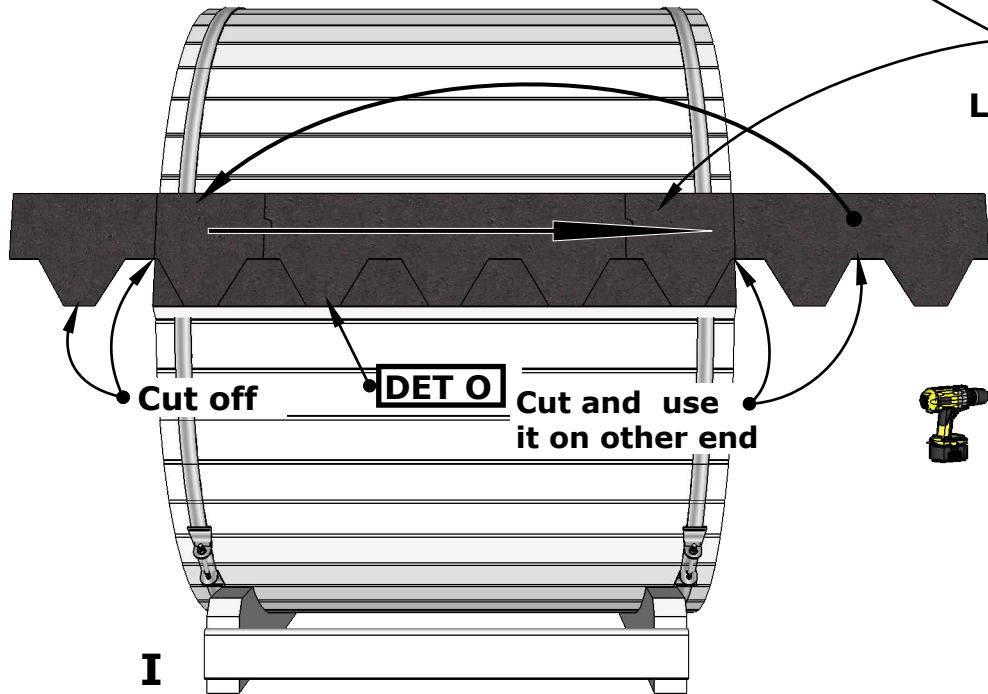
NB! Check also shingles installation manual inside shingles packages.

II



IV

Remove  
DET A



I

Cut off

DET O

Cut and use  
it on other end

L



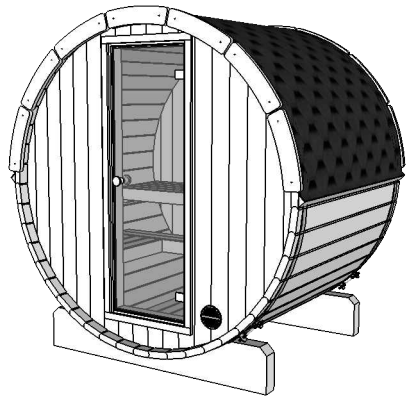
III

14x DET 23

28x H

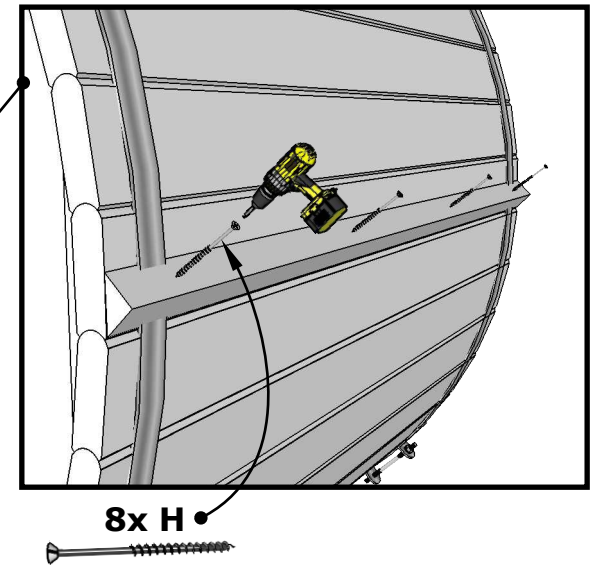
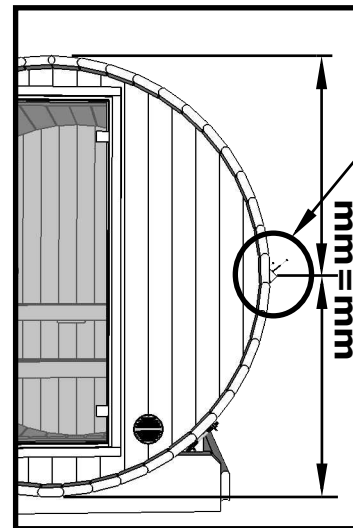
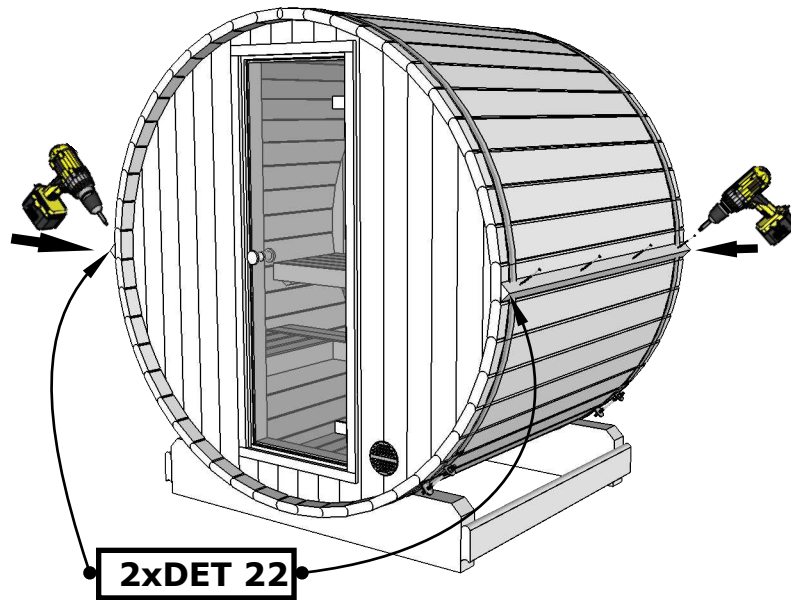
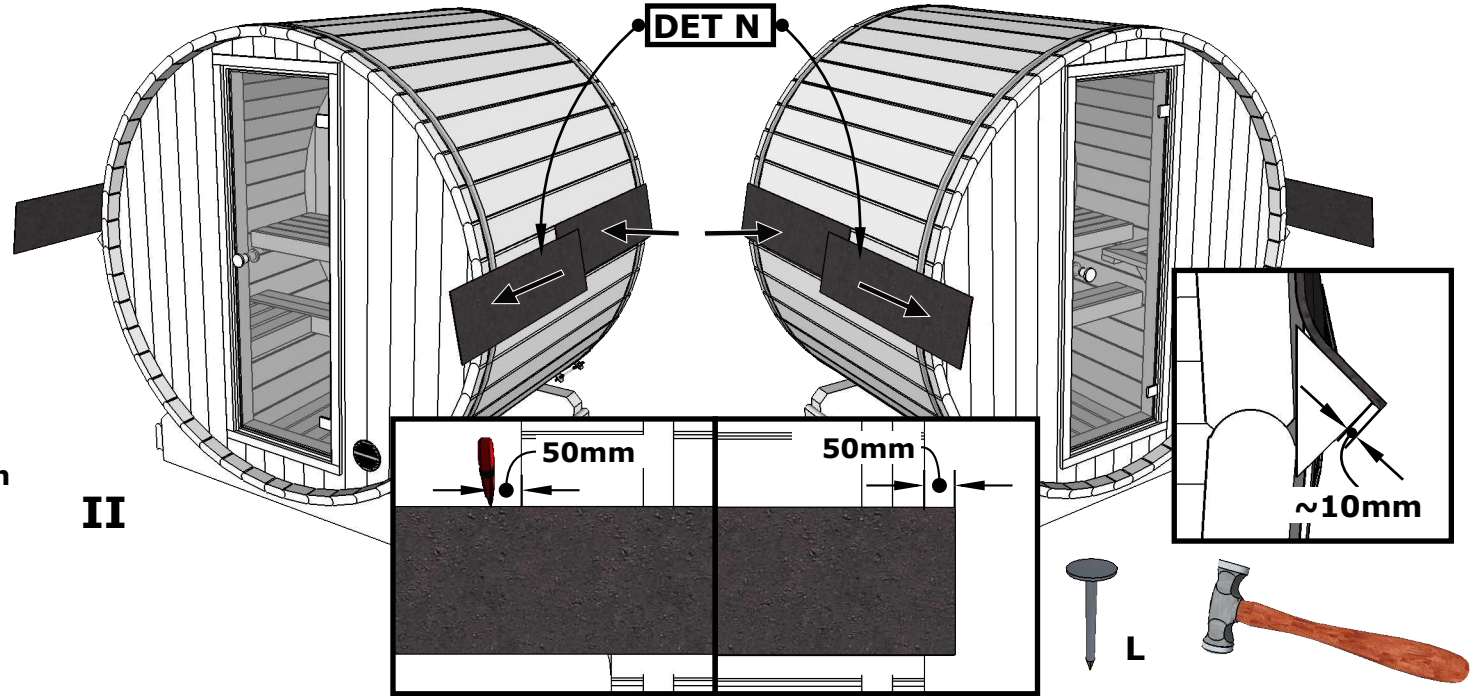


# Sauna 160, Ø200

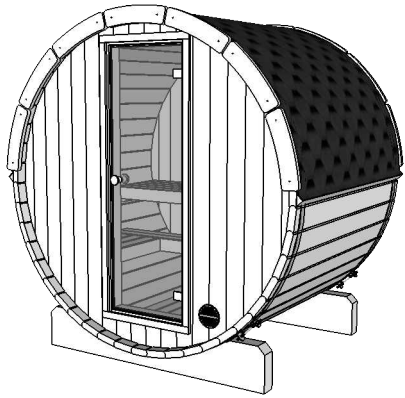


Model without endboards.

NB! Check also shingles installation manual inside shingles packages.

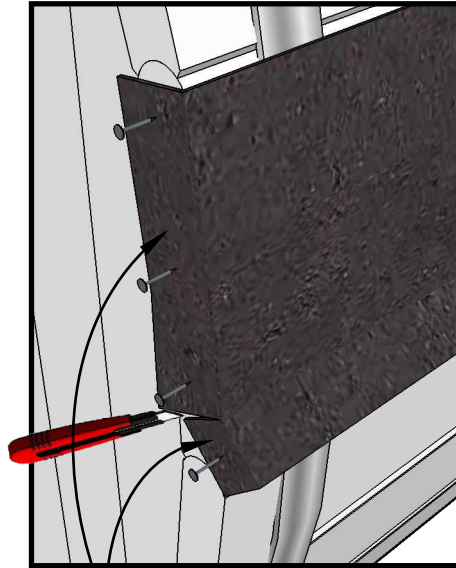


# Sauna 160, Ø200



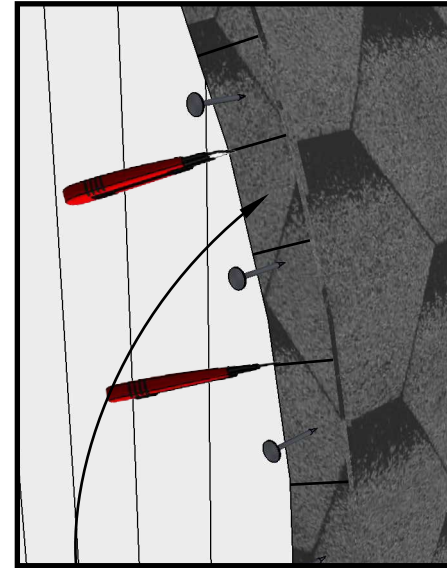
**Model without endboards.**

**NB! Check also shingles installation manual inside shingles packages.**

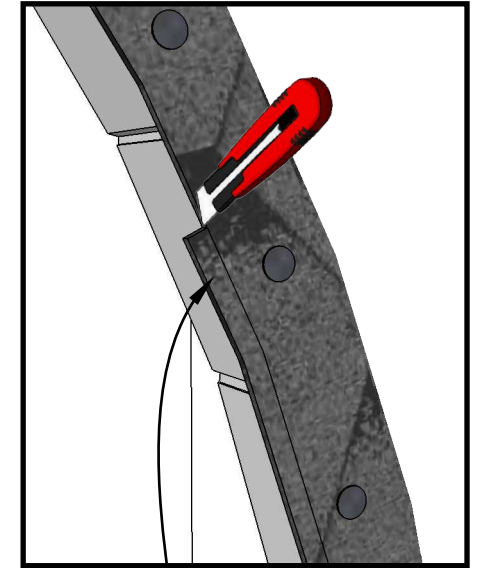


**II**

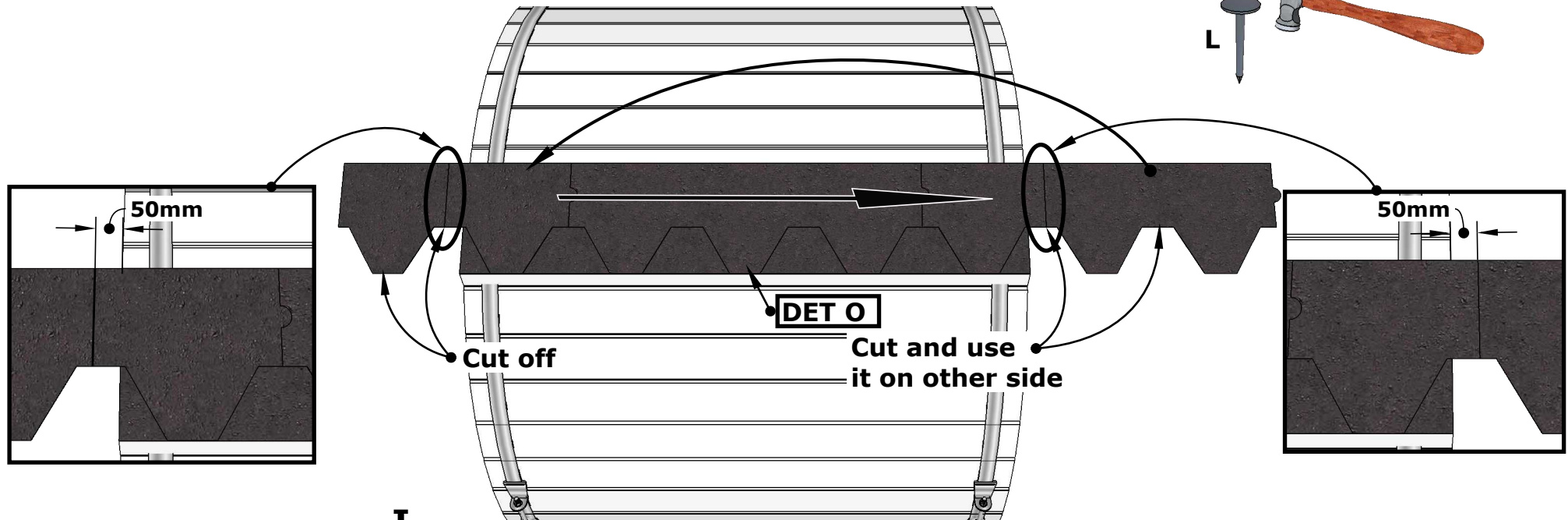
**Bend overlap to the edge and fix with clout nails**



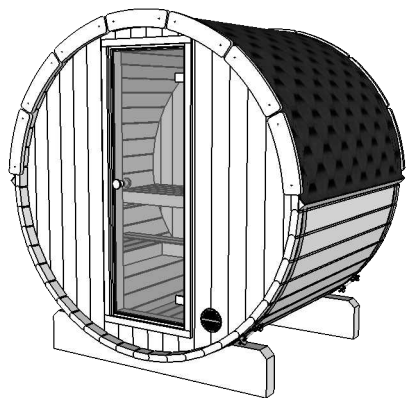
**Bend overlap to the edge and fix with clout nails**



**Cut off**

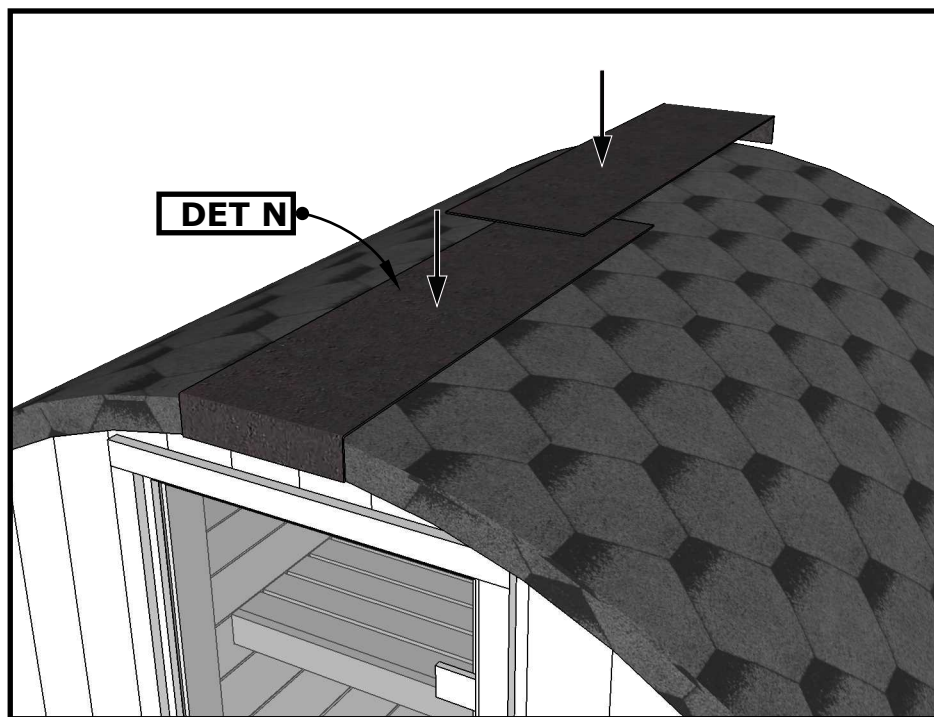
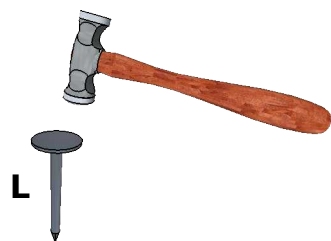


# Sauna 160, Ø200

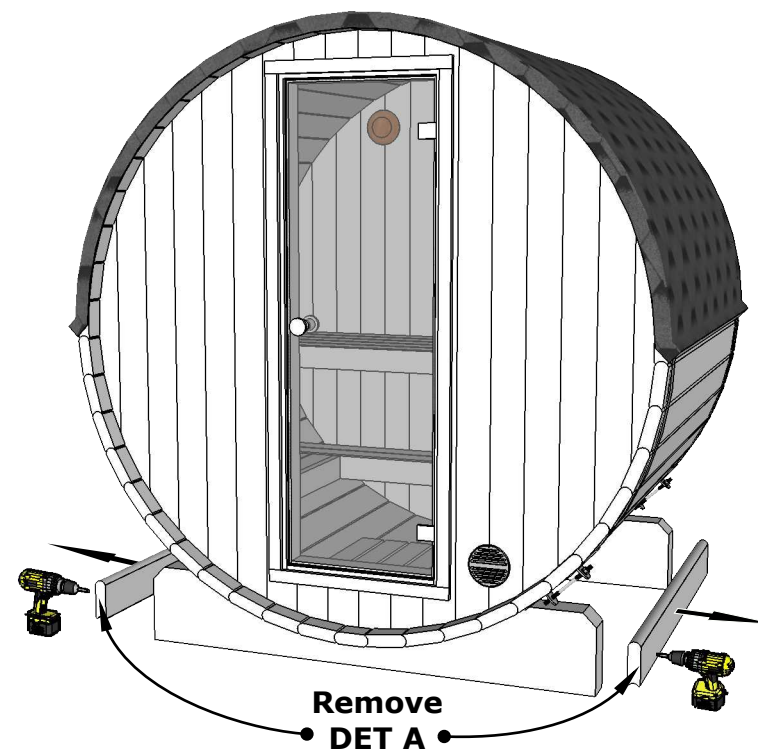


**Model without endboards.**

**NB! Check also shingles installation manual inside shingles packages.**



**I**



**II**