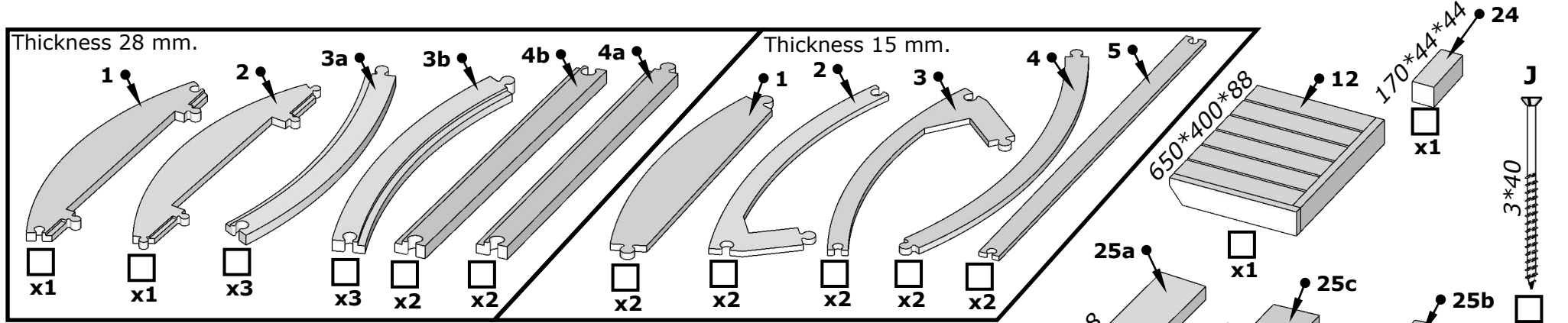
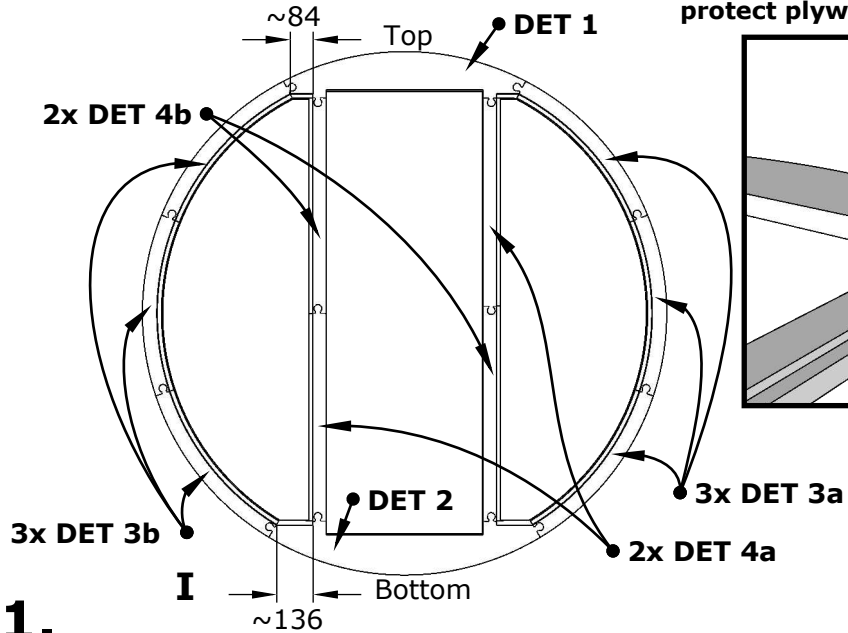


Glass Wall mounting Ø200

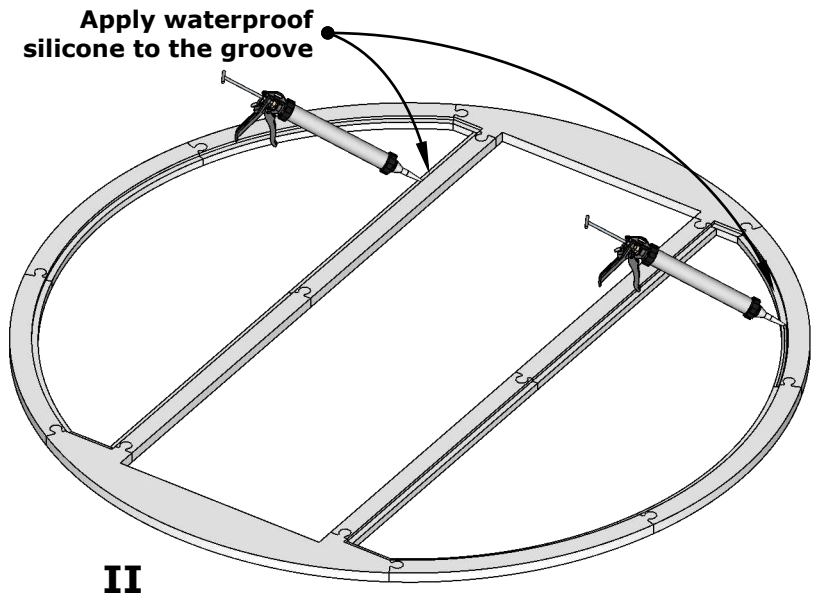


Baseframe 28mm.

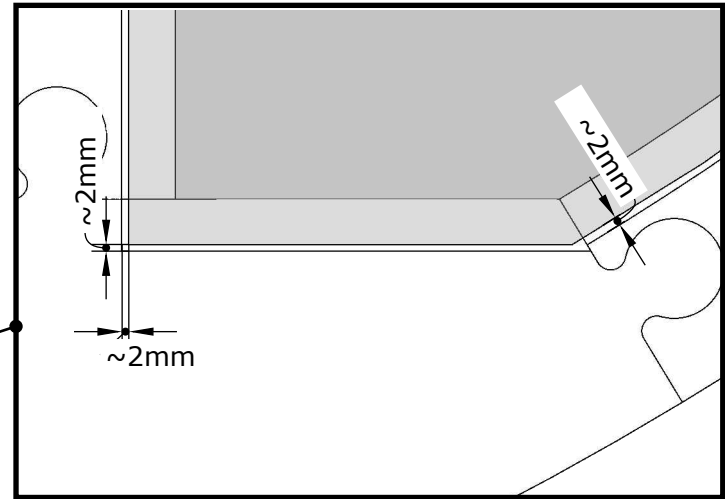
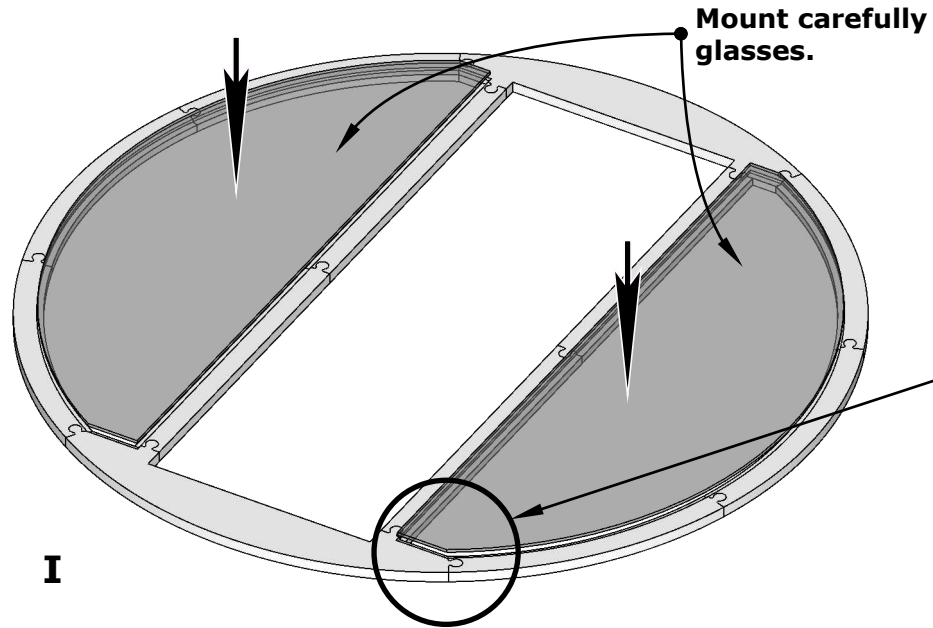
Use piece of wood to protect plywood



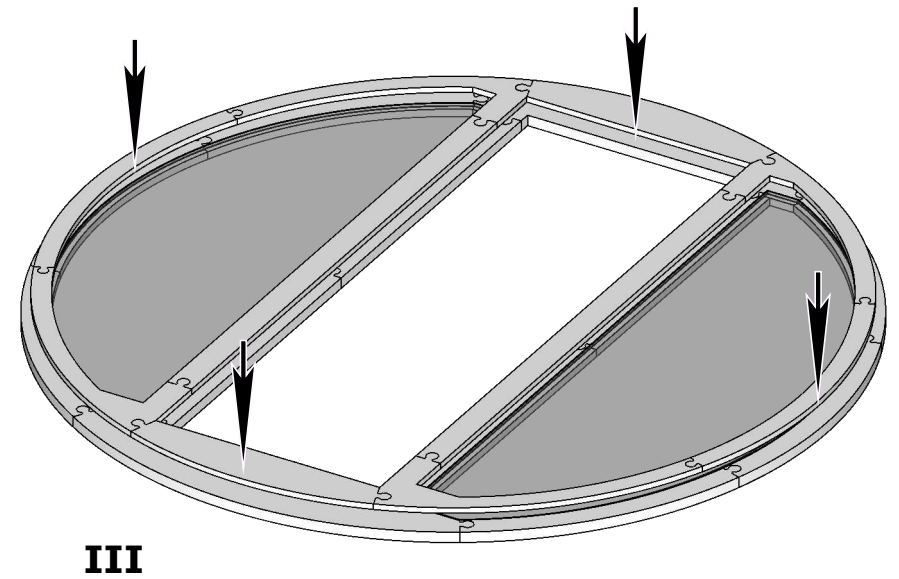
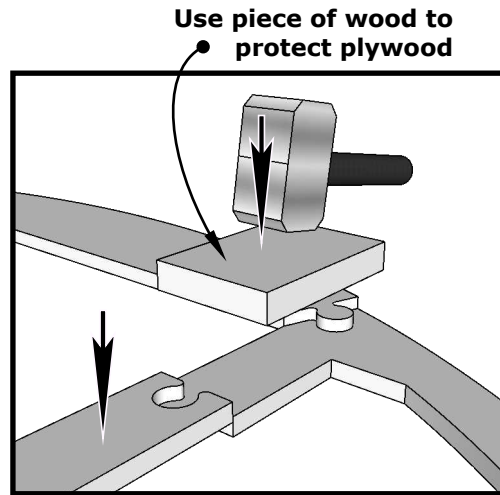
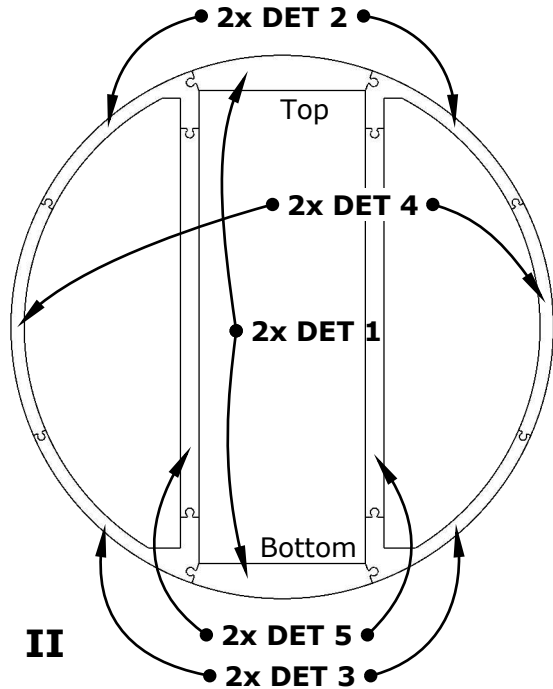
1.



Glass Wall mounting Ø200

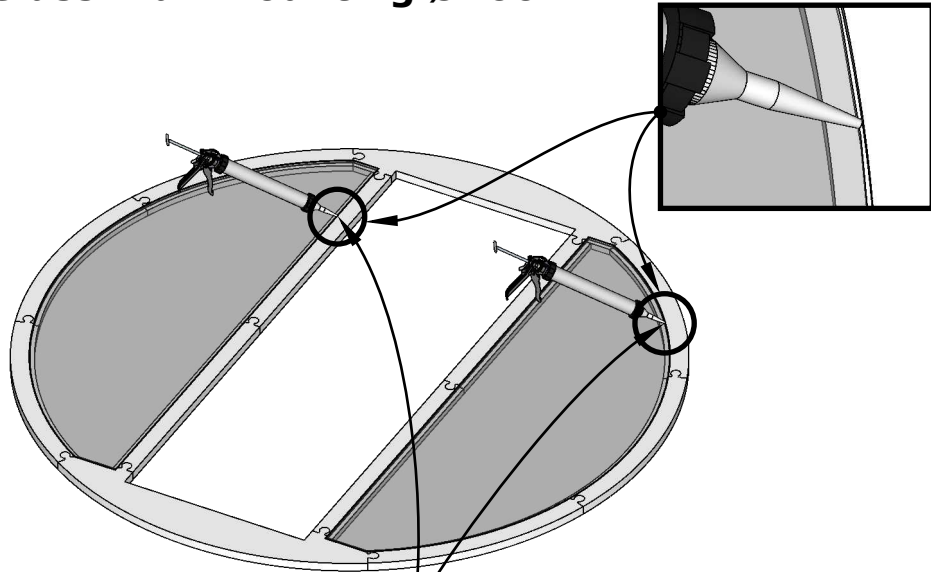


Coverframe 15mm.

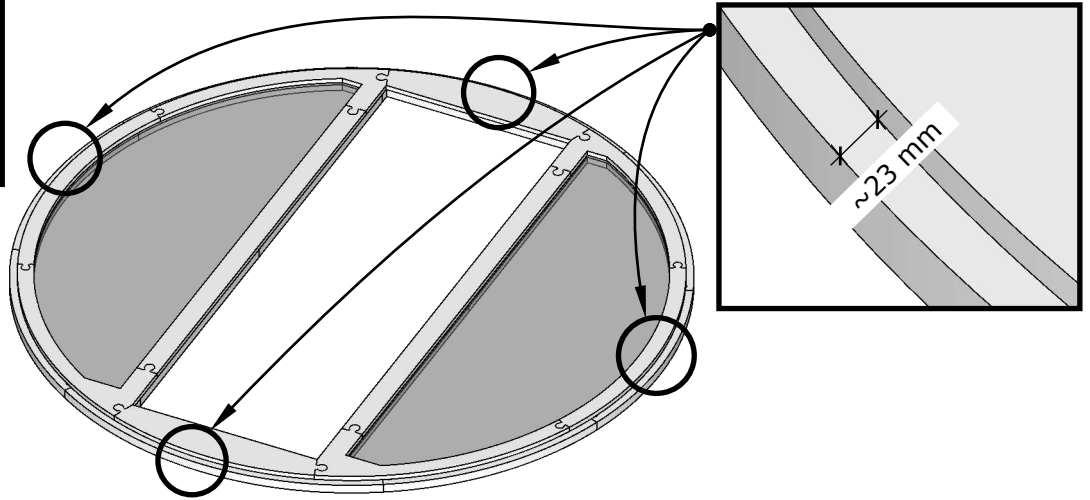


2.

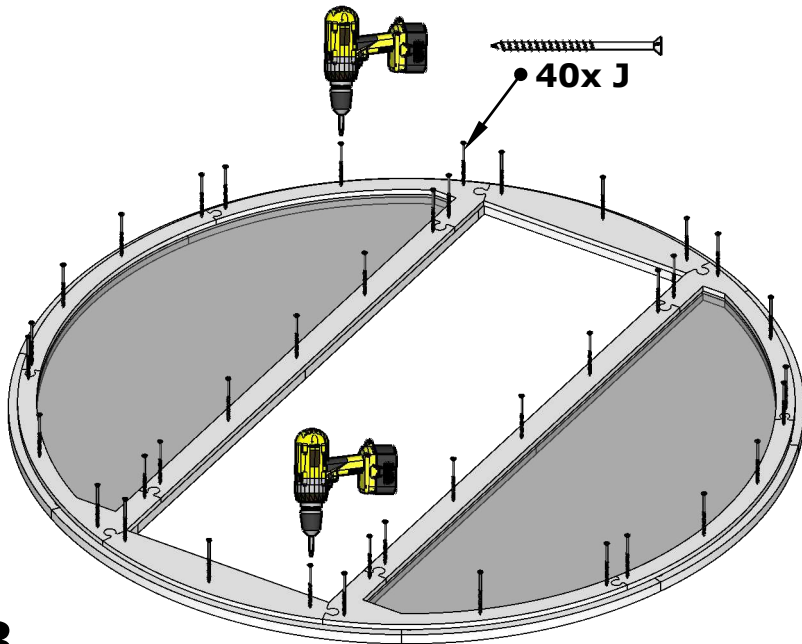
Glass Wall mounting Ø200



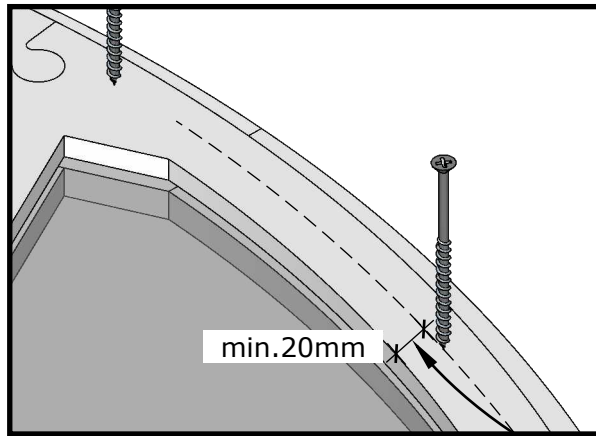
I Apply waterproof silicone to the groove



II

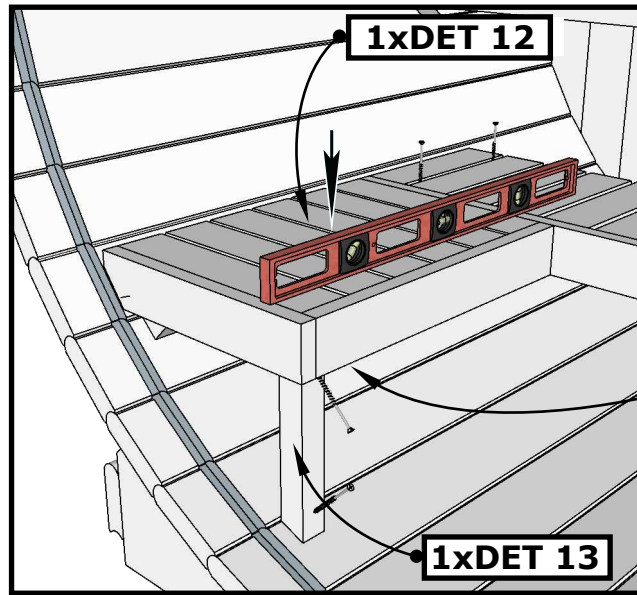


3. III

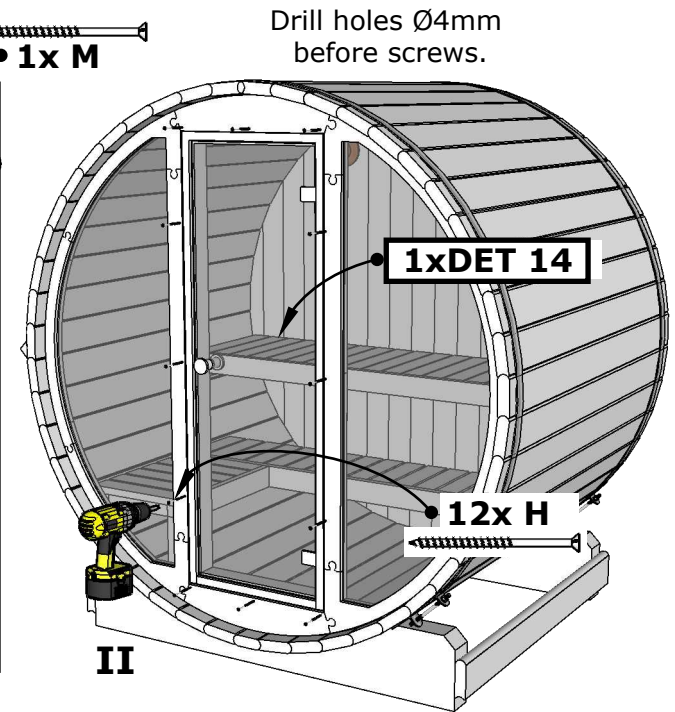
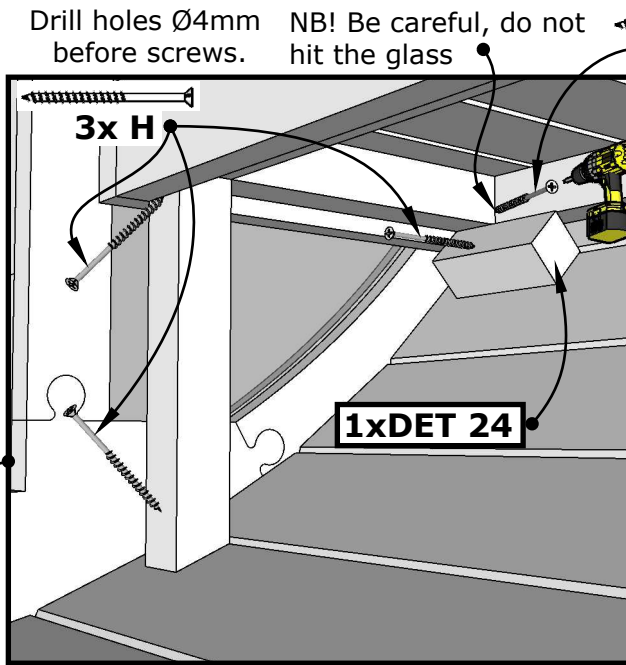


**Please be careful!!!
Do not hit the glass
with the screw.**

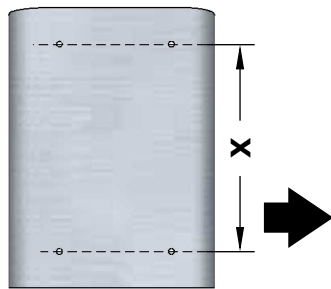
Glass Wall mounting Ø200



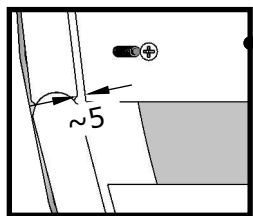
I Cut DET 13 on right size.



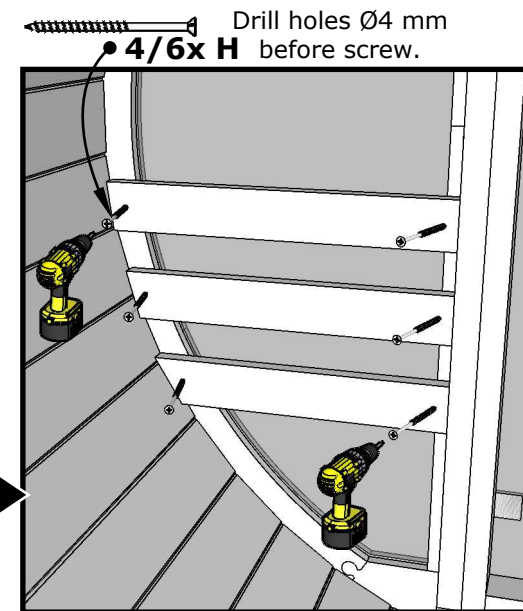
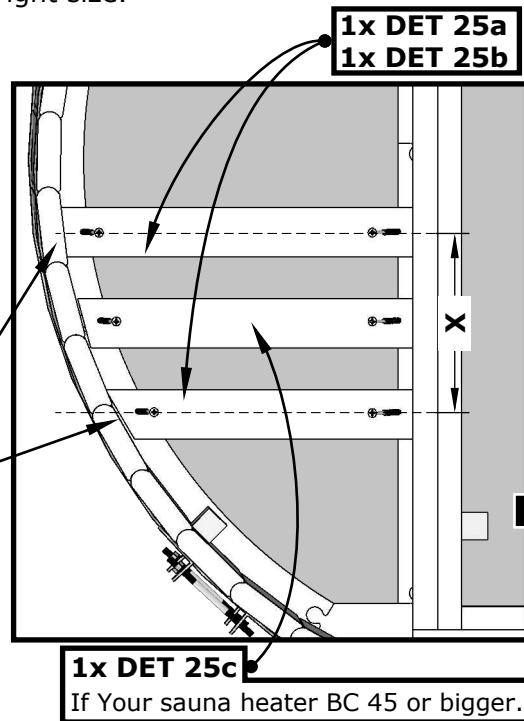
II



NB! Check Your el.heater user manual to find correct measurements!



III



IV NB! Be careful, do not hit the glass!

Proceed with main installation manual!

