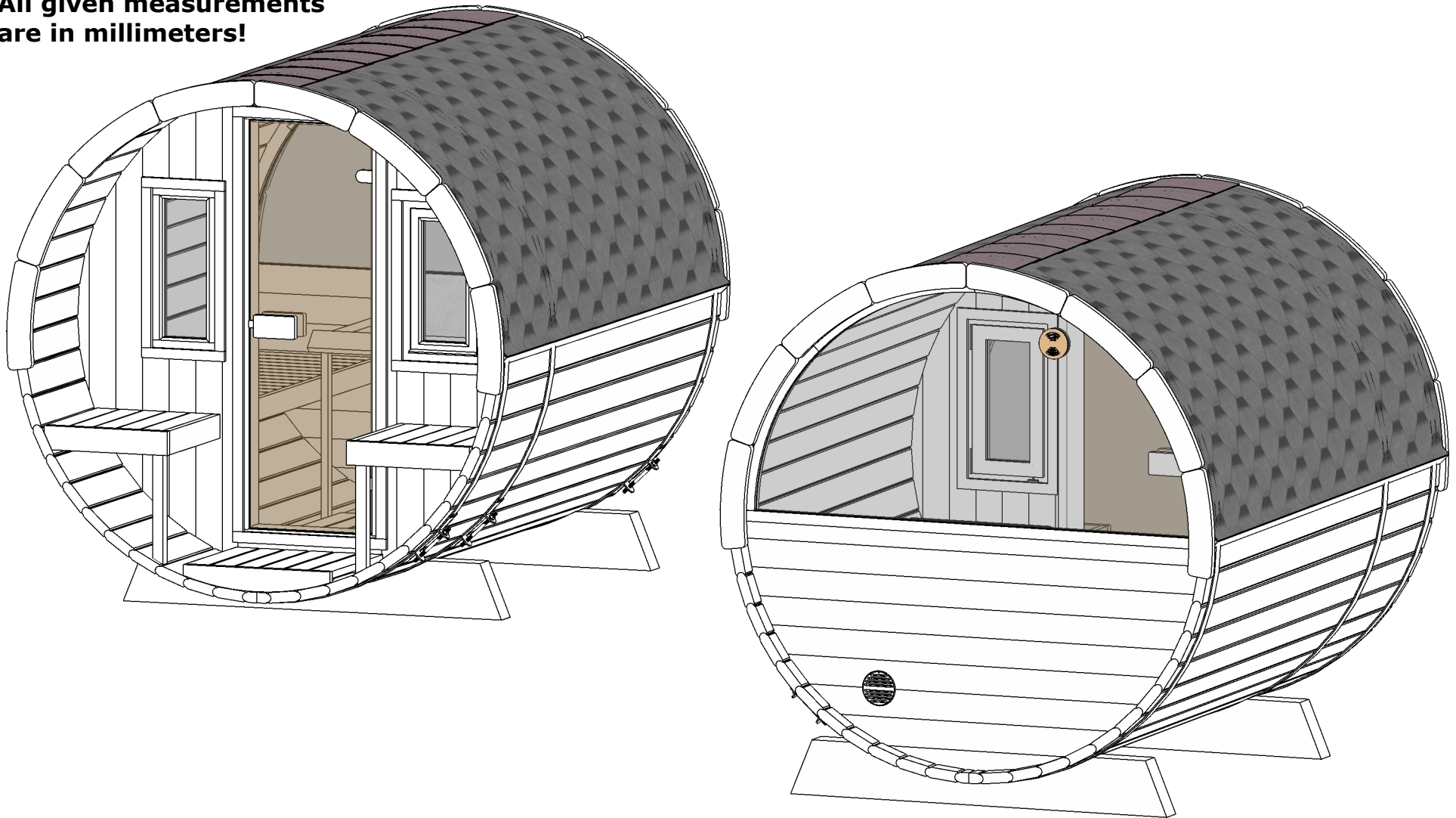


## Sauna 235, Ø200

**NB! Please read whole manual  
before start.**

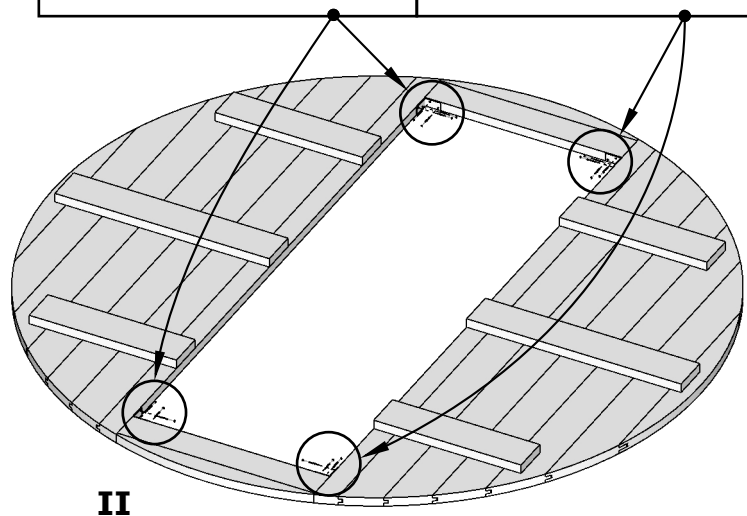
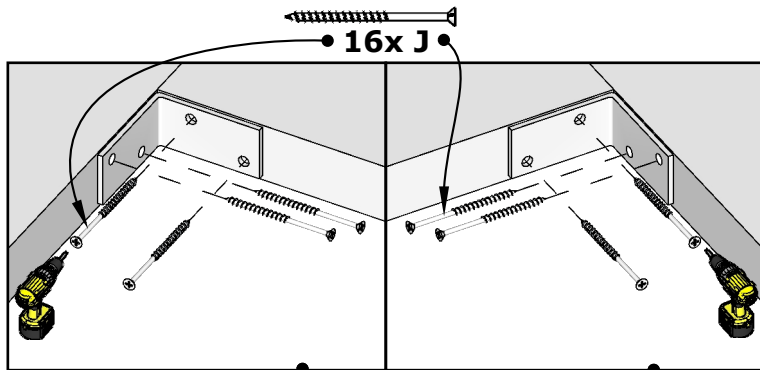
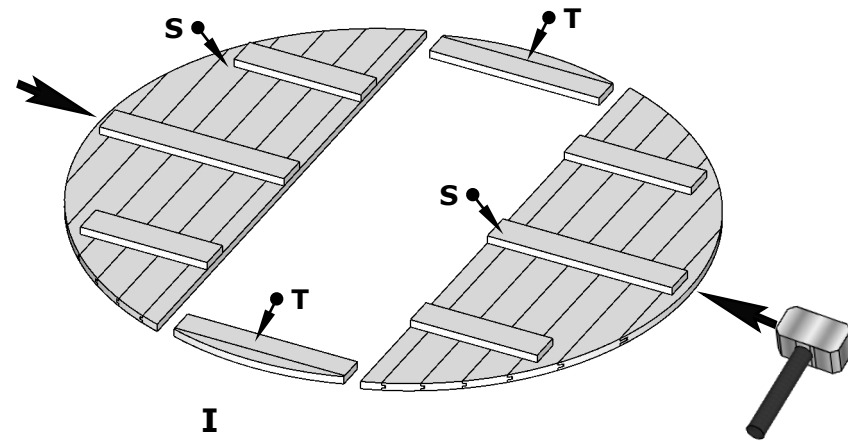
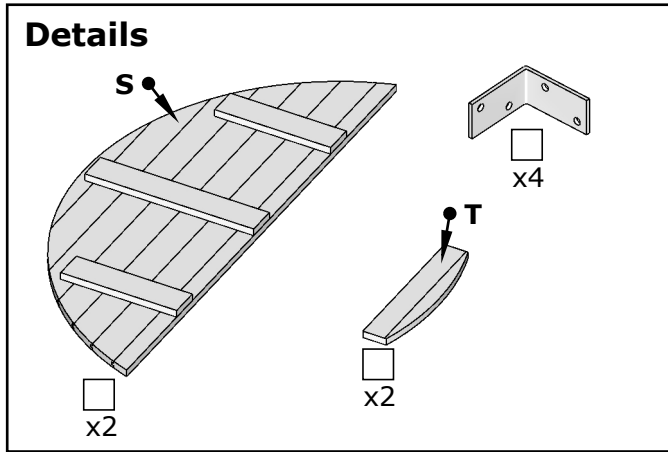
**All given measurements  
are in millimeters!**



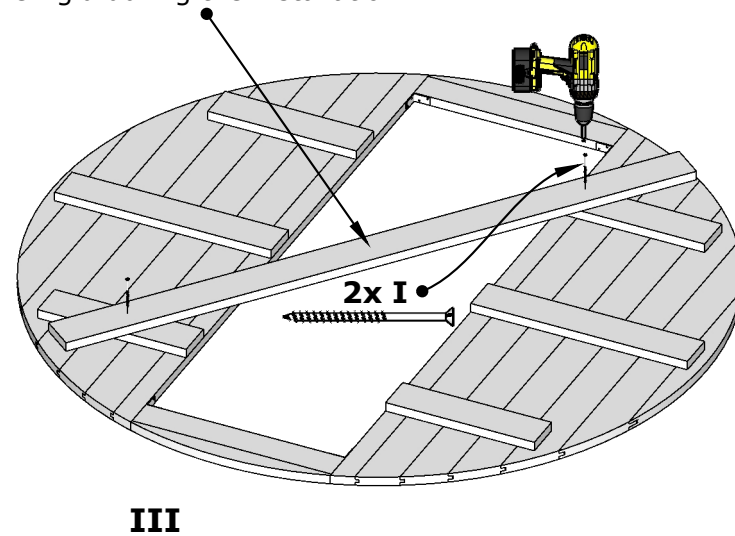
(POL-010)

# Wooden front wall assembly

## Details

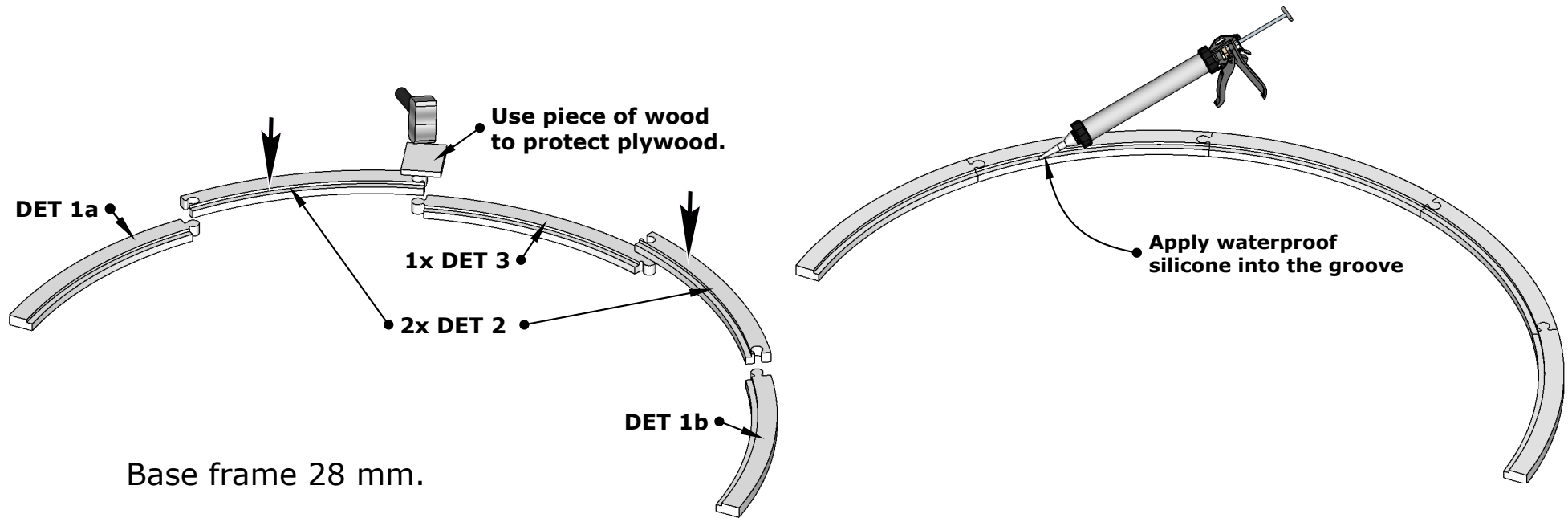
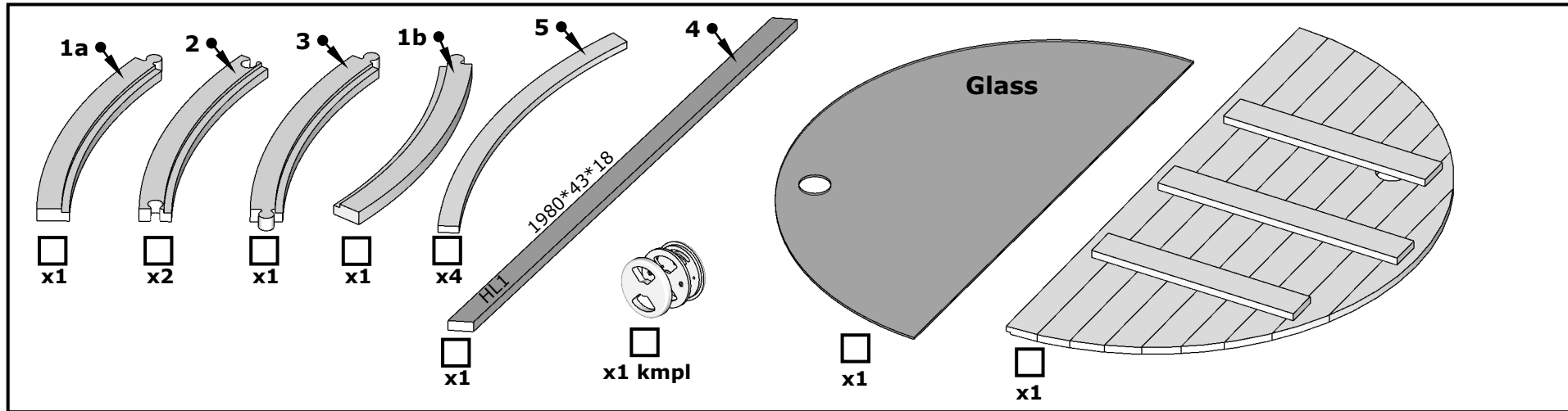


Cut board from pallet L= $\sim$ 1900mm.  
Fix it diagonally to make wall  
more rigid during the installation.



# Half-moon glass wall mounting

(Wall thickness 28 mm.)

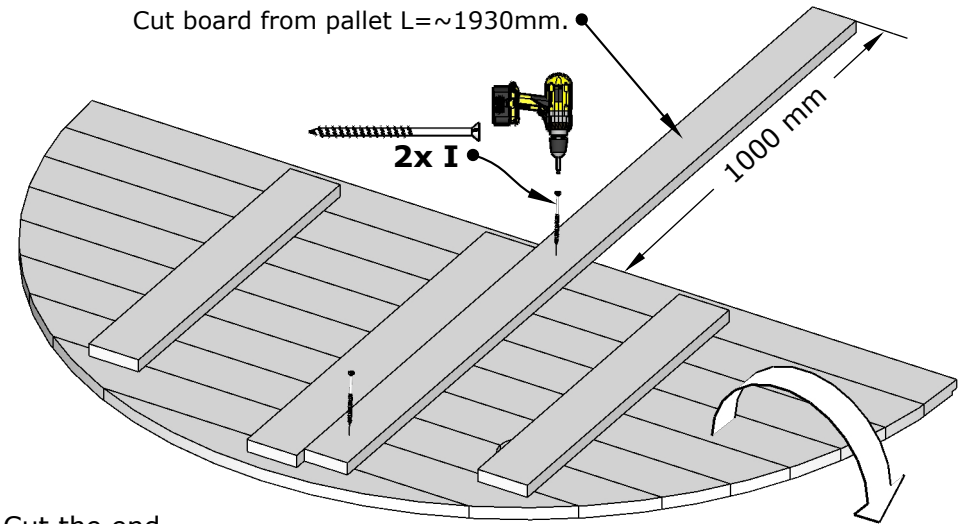
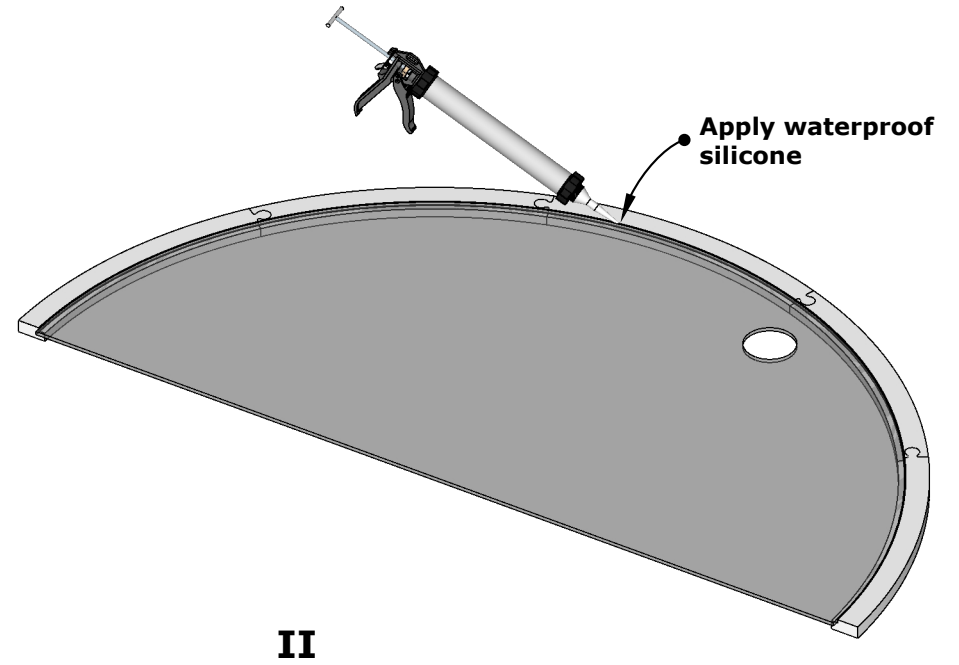
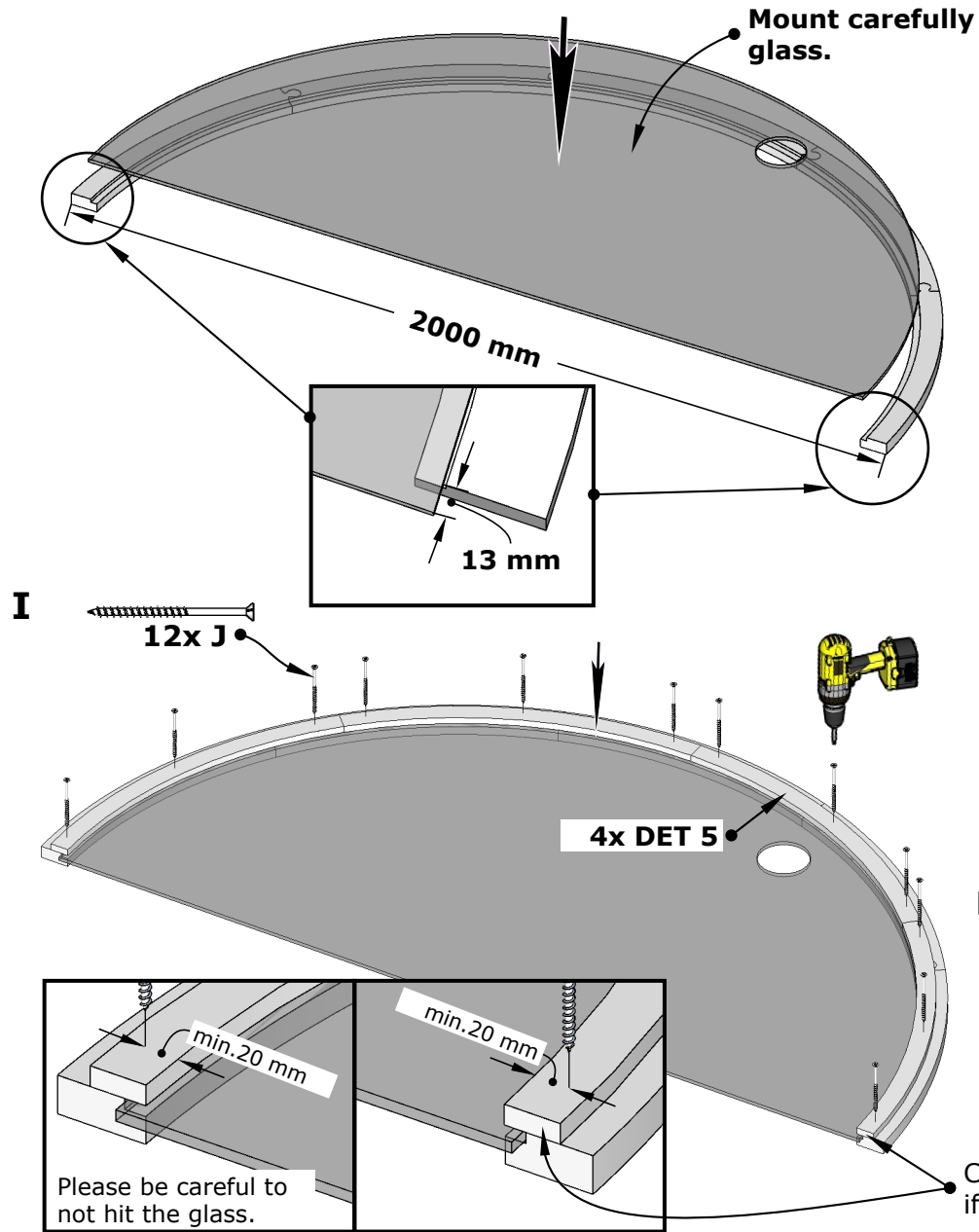


1.

(POL-010)

# Half-moon glass wall mounting

(Wall thickness 28 mm.)

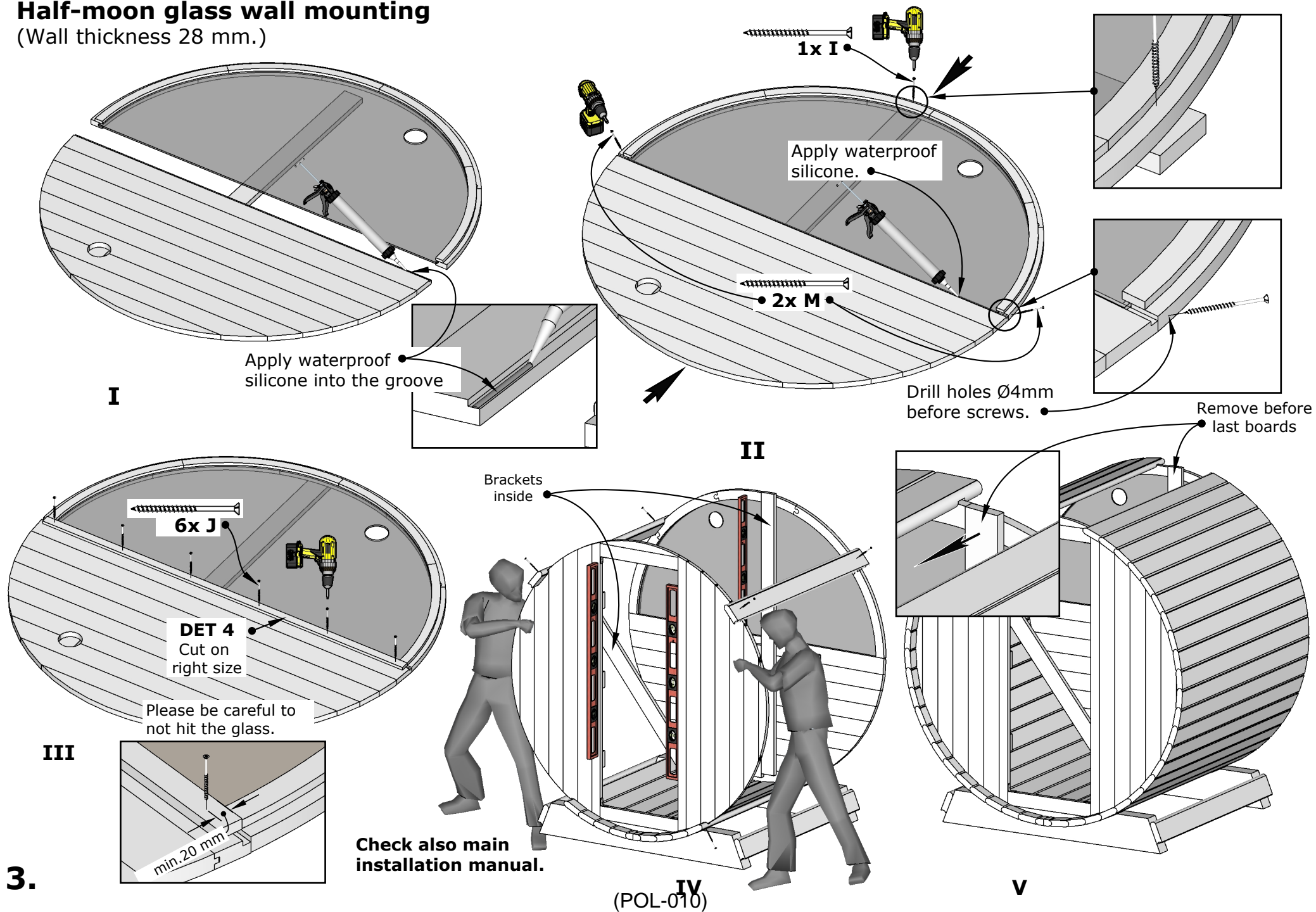


2. III

(POL-010)

# Half-moon glass wall mounting

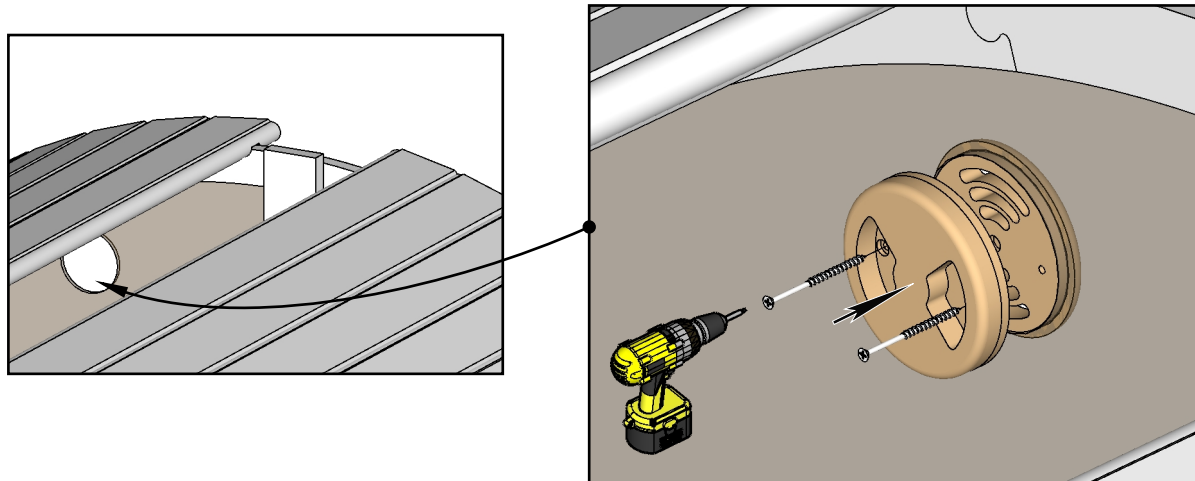
(Wall thickness 28 mm.)



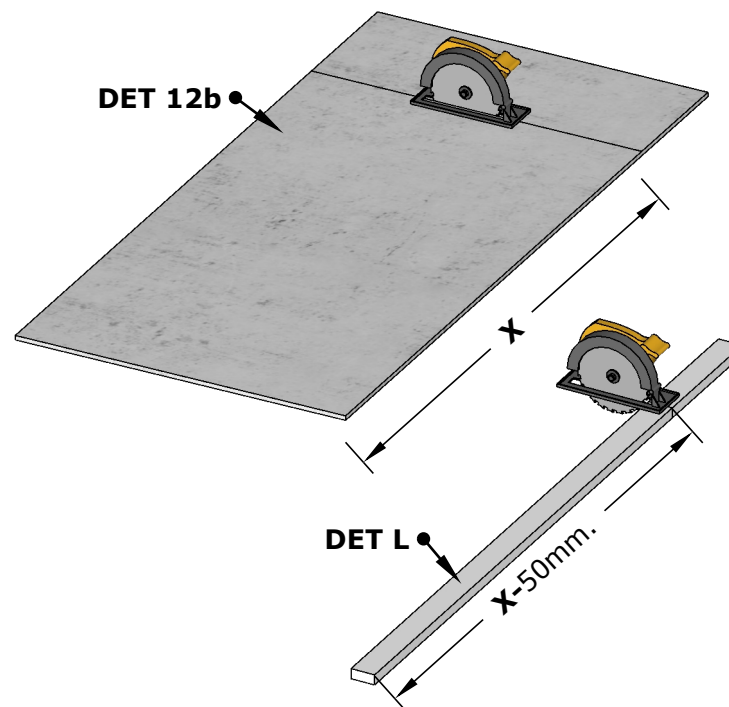
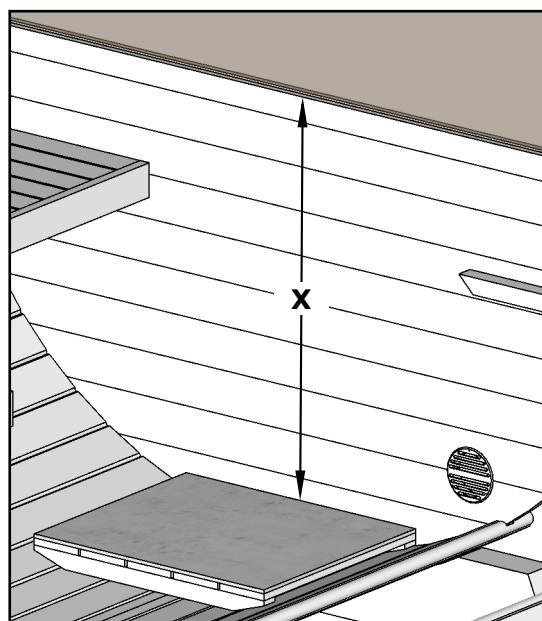
3.

## Half-moon glass wall mounting

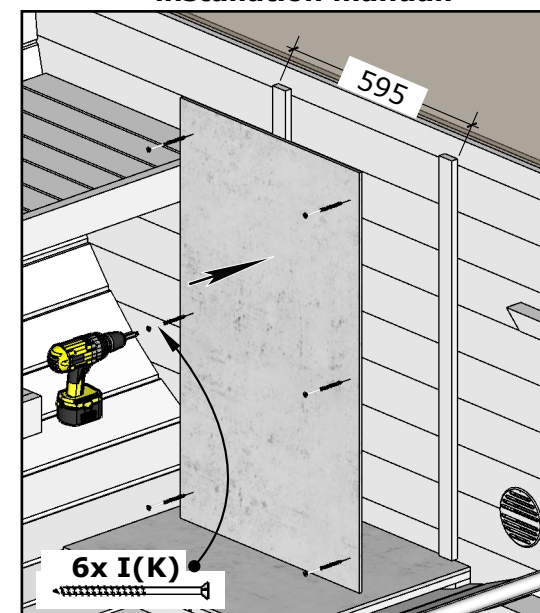
(Wall thickness 28 mm.)



Only for saunas with a length of 180 cm. or more.



Check also main installation manual.

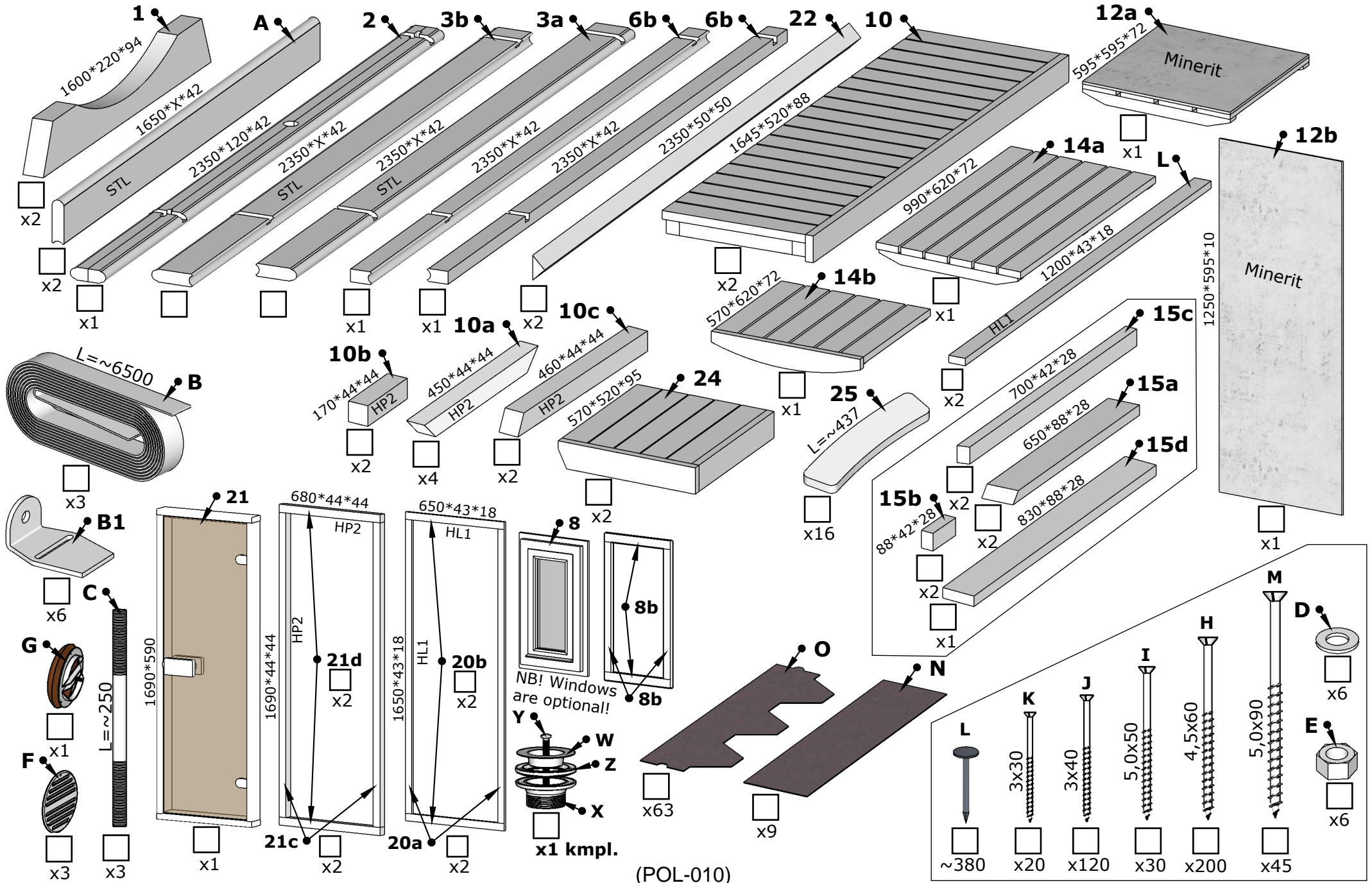


4.

(POL-010)

**Sauna 235, Ø200**

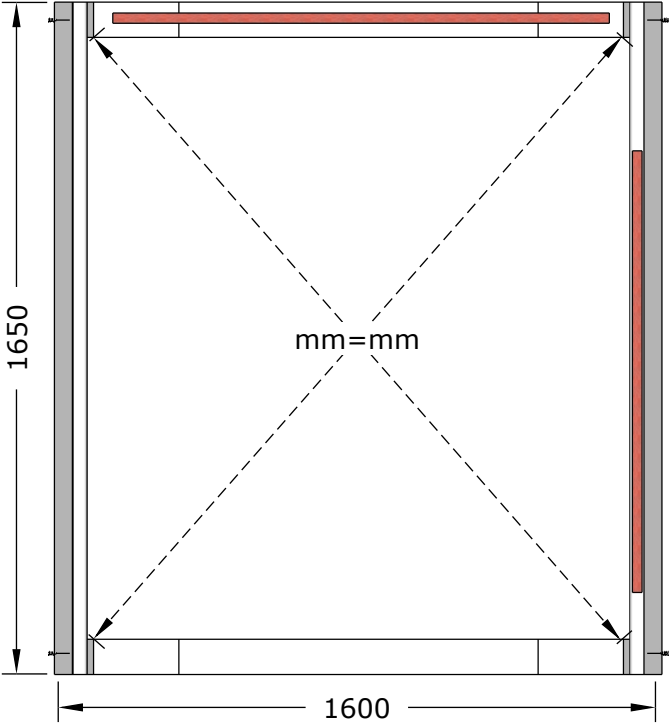
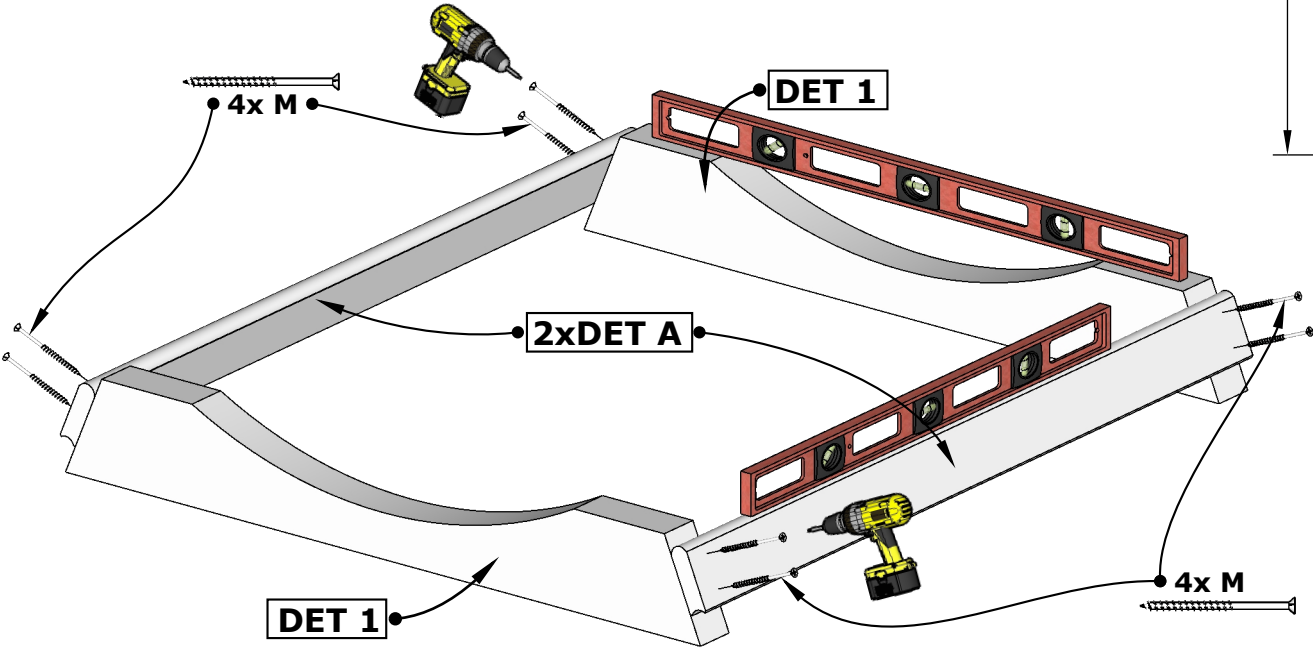
**Details list.**



(POL-010)

Part Label	Quantity
L	~380
K	3x30
J	3x40
I	5,0x50
H	4,5x60
M	5,0x90
D	x6
E	x6

Sauna 235, Ø200

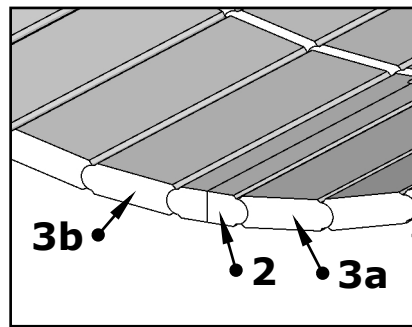
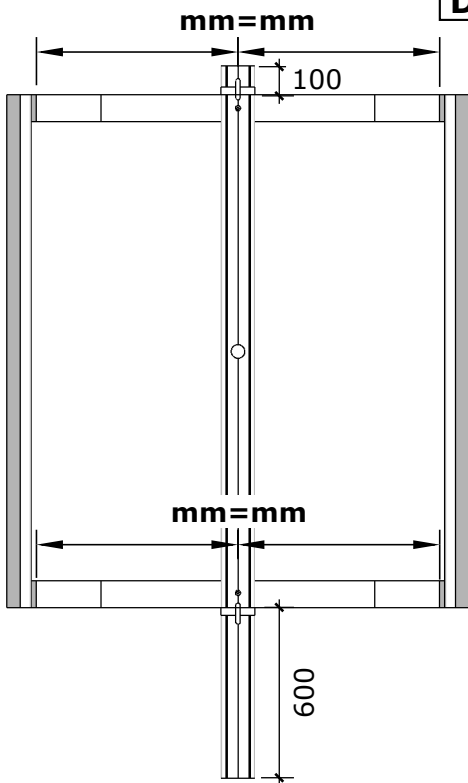
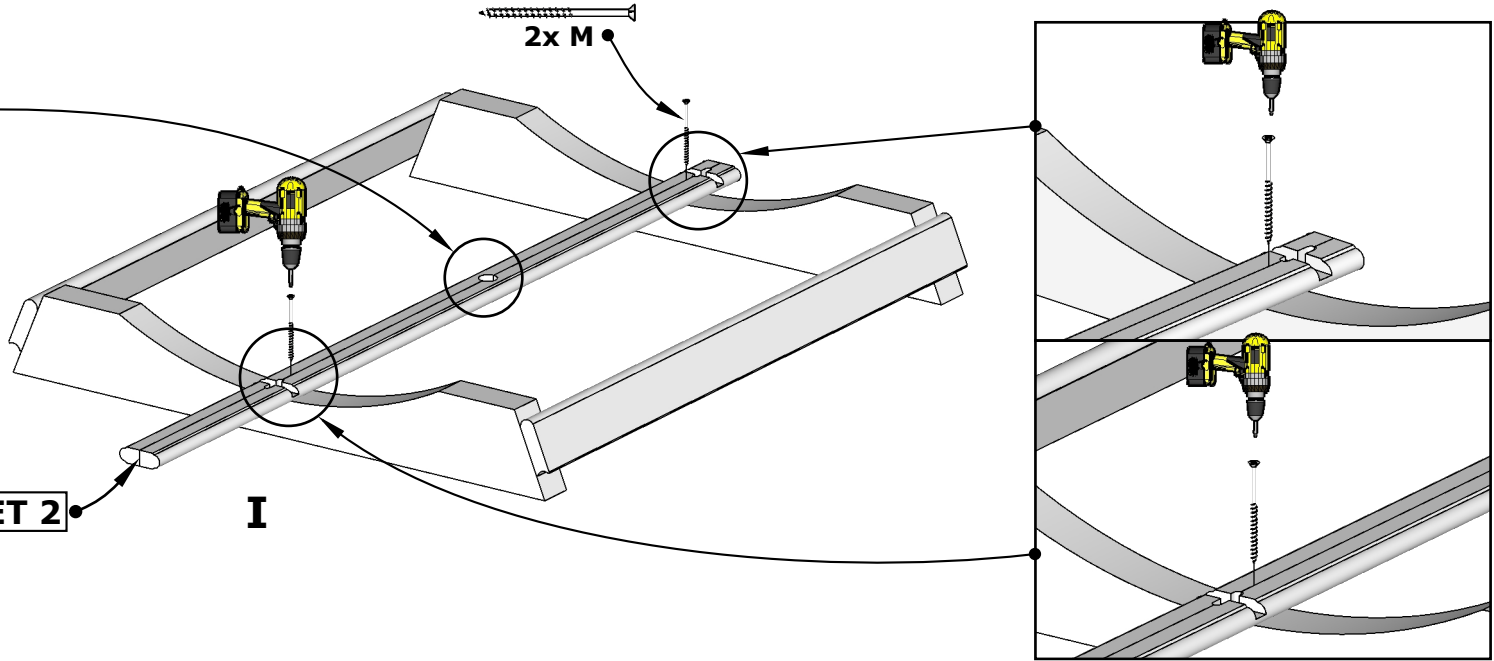
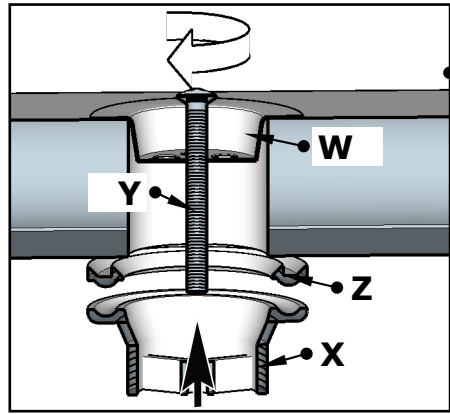


1.

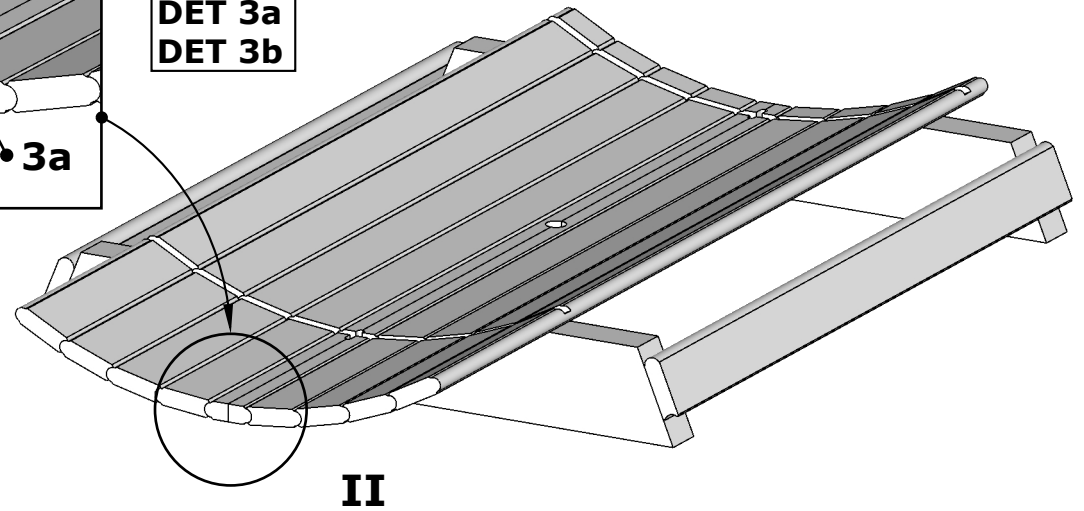
(POL-010)



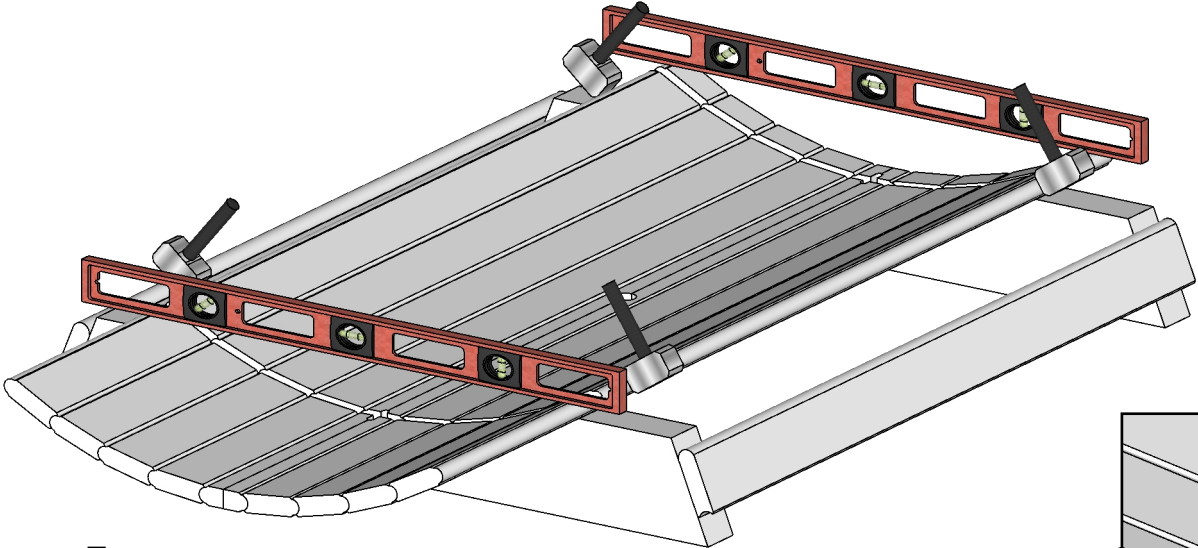
# Sauna 235, Ø200



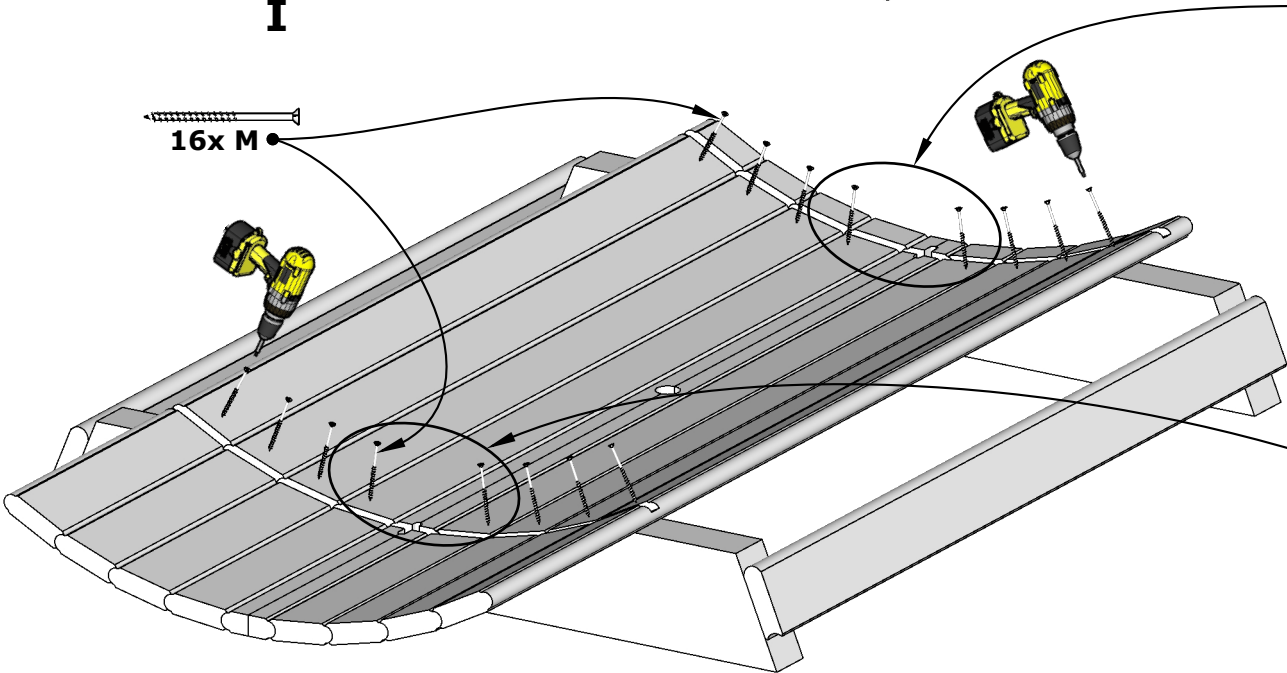
DET 3a  
DET 3b



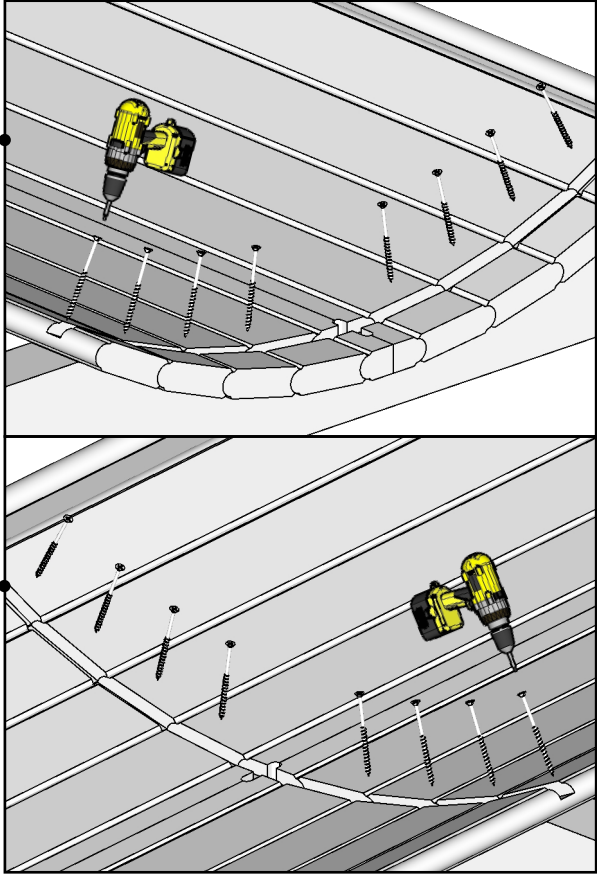
Sauna 235, Ø200



I



II



# Sauna 235, Ø200

Use waterlevel

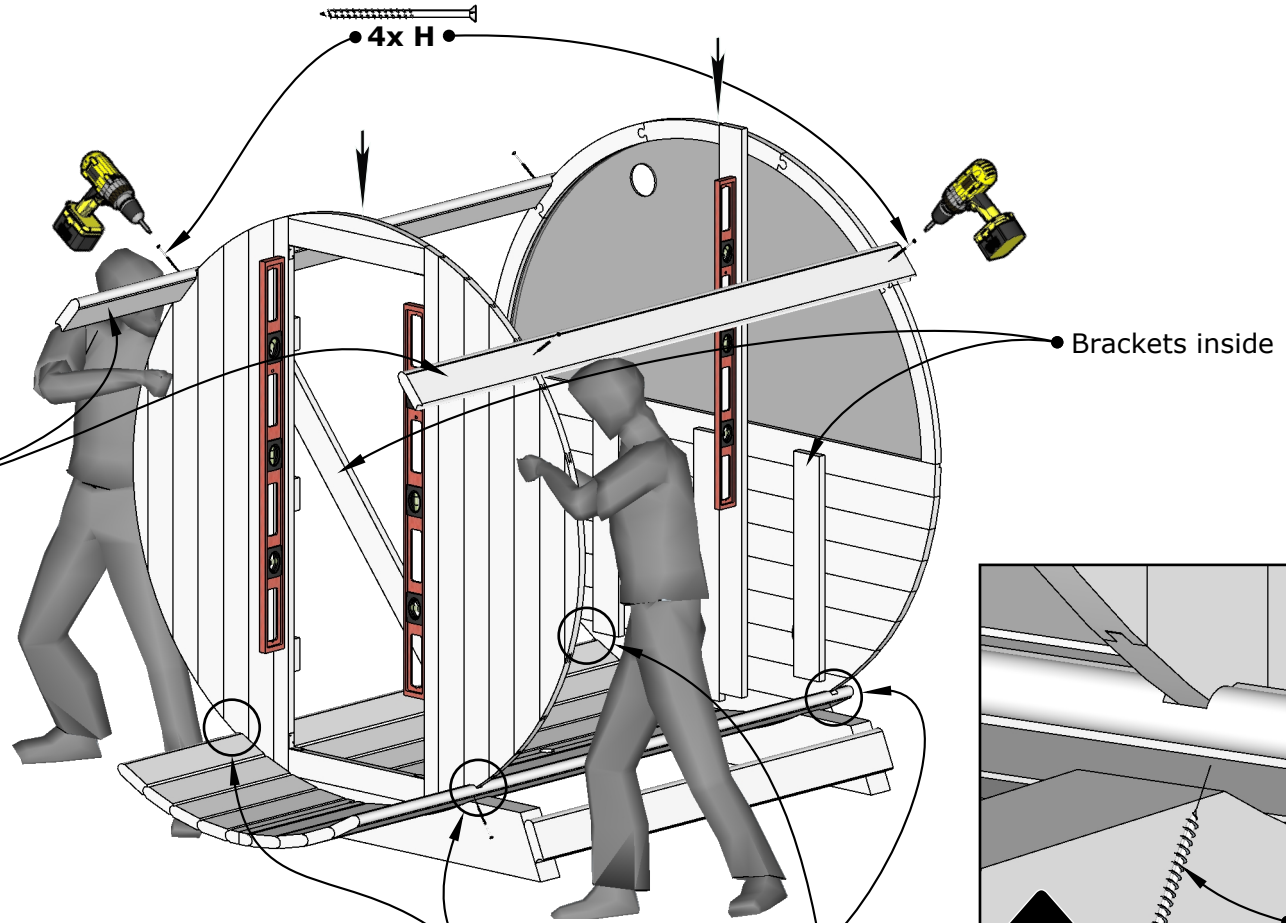


Check walls installation manual on extra pages!

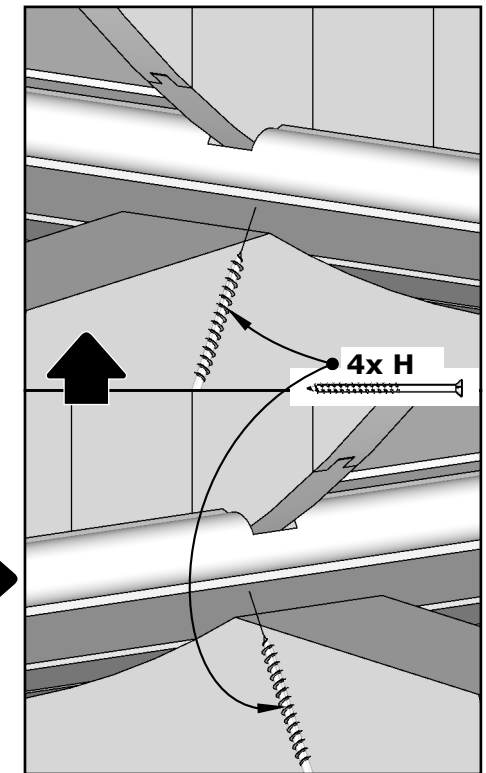
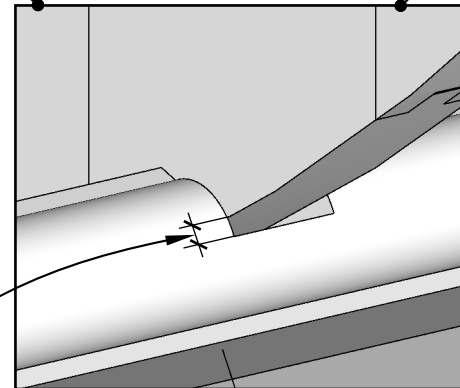
Sauna wall configuration depends on Your model!

**DET 3a**  
**DET 3b**

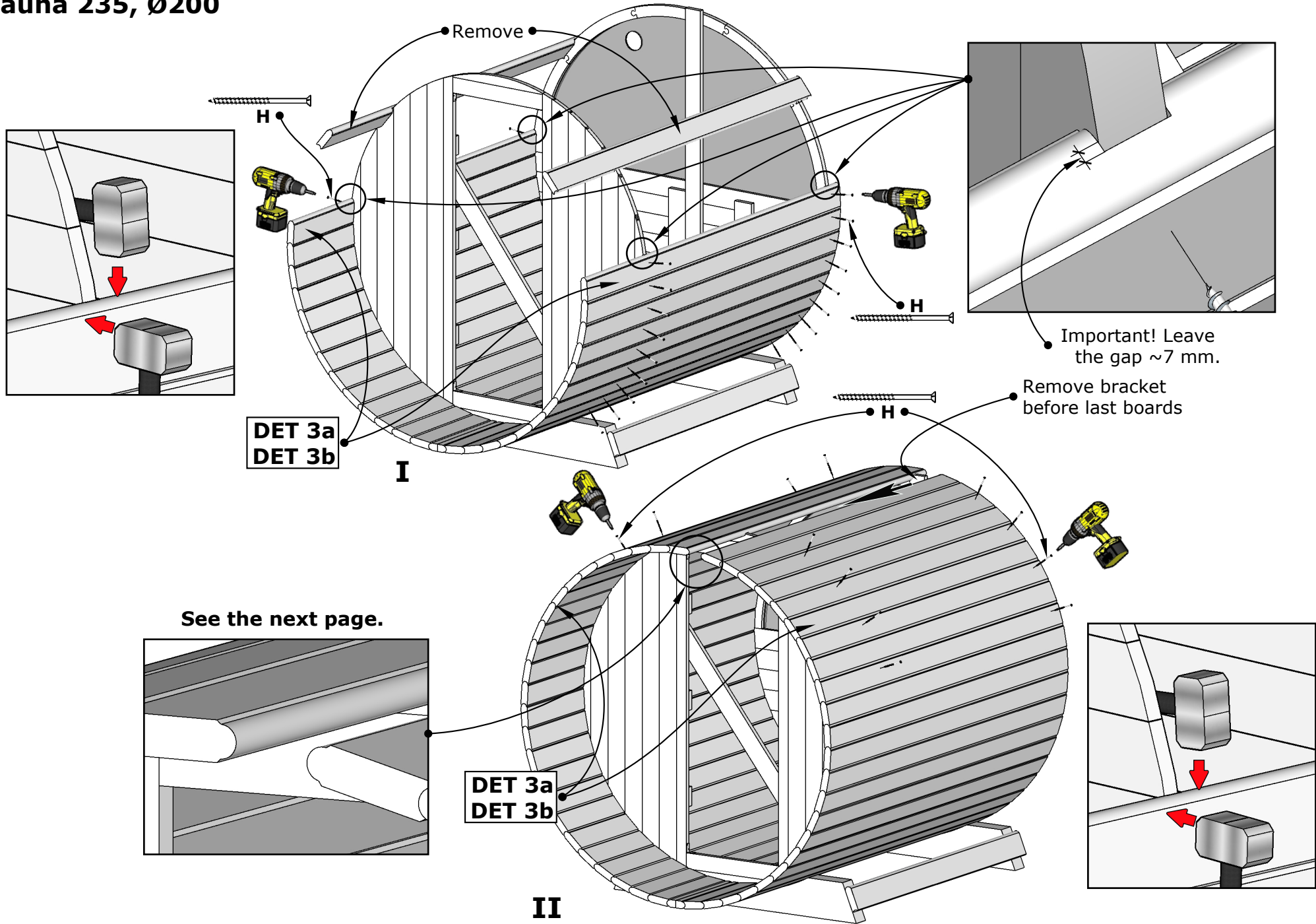
Fix temporarily to support walls.



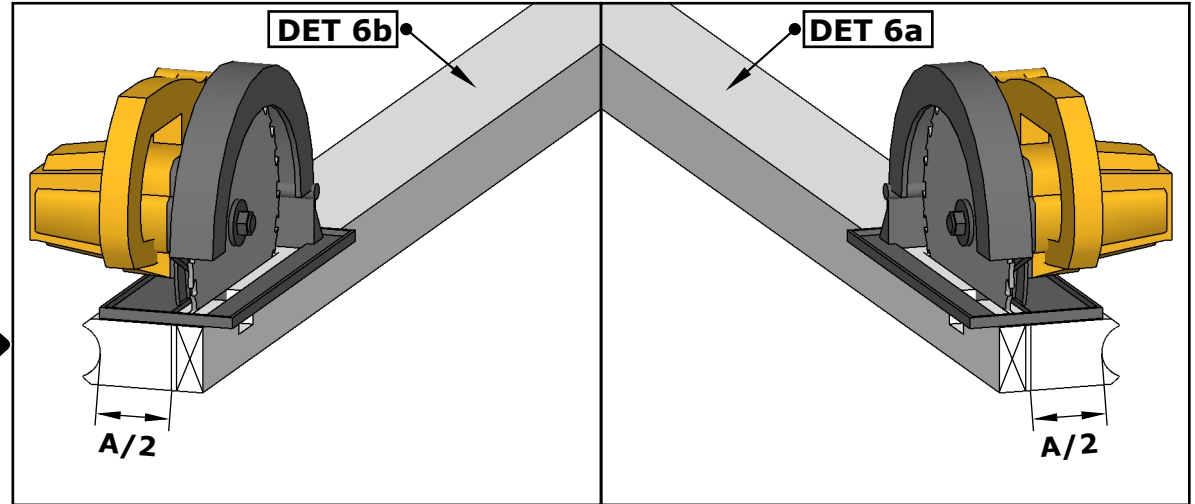
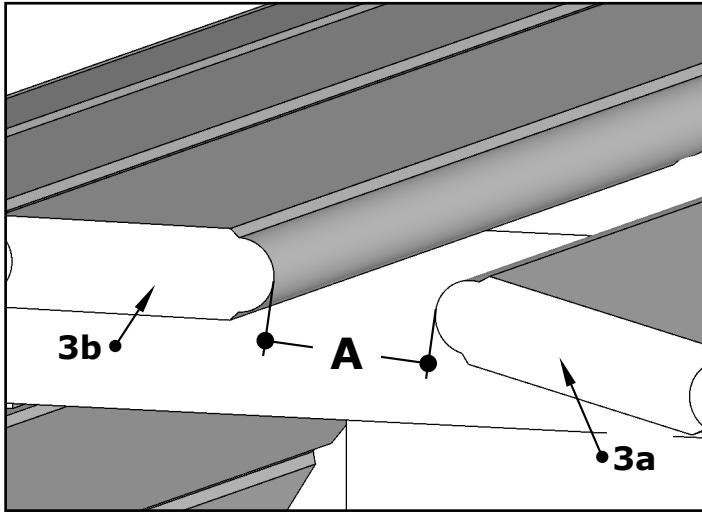
Important! Leave the gap ~7 mm.



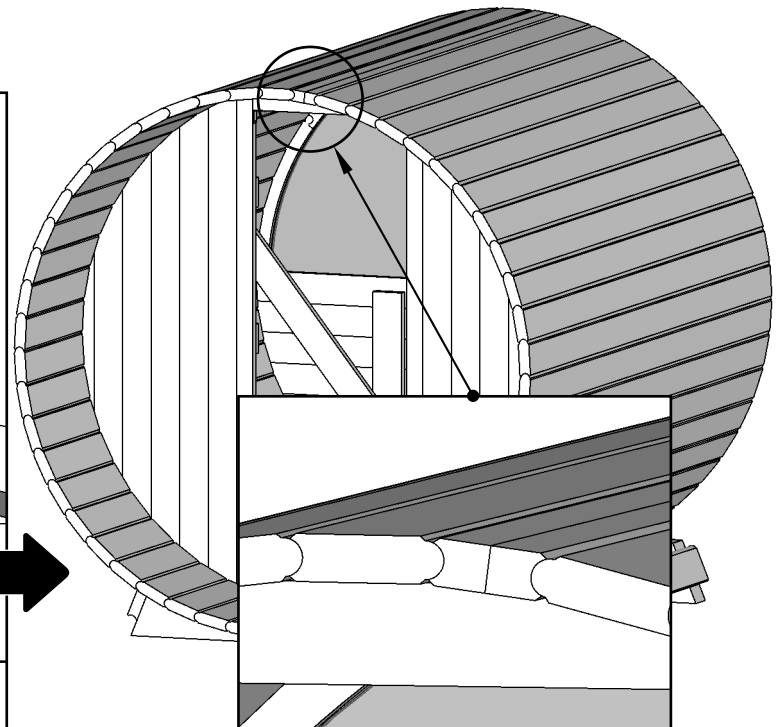
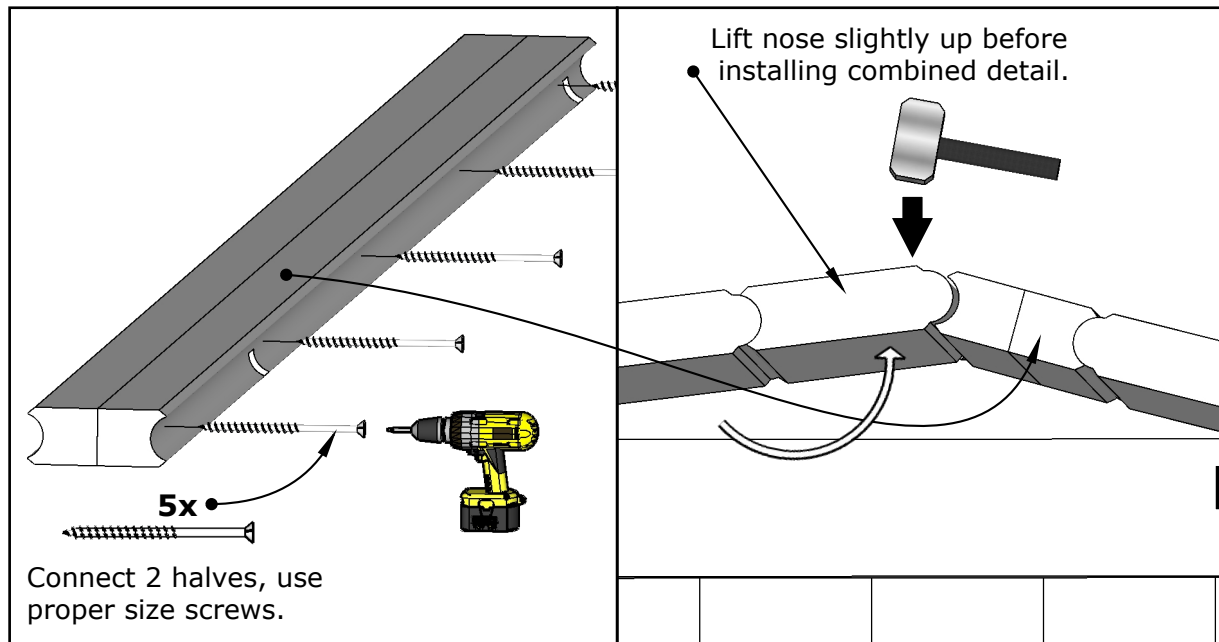
# Sauna 235, Ø200



# Sauna 235, Ø200



**I**

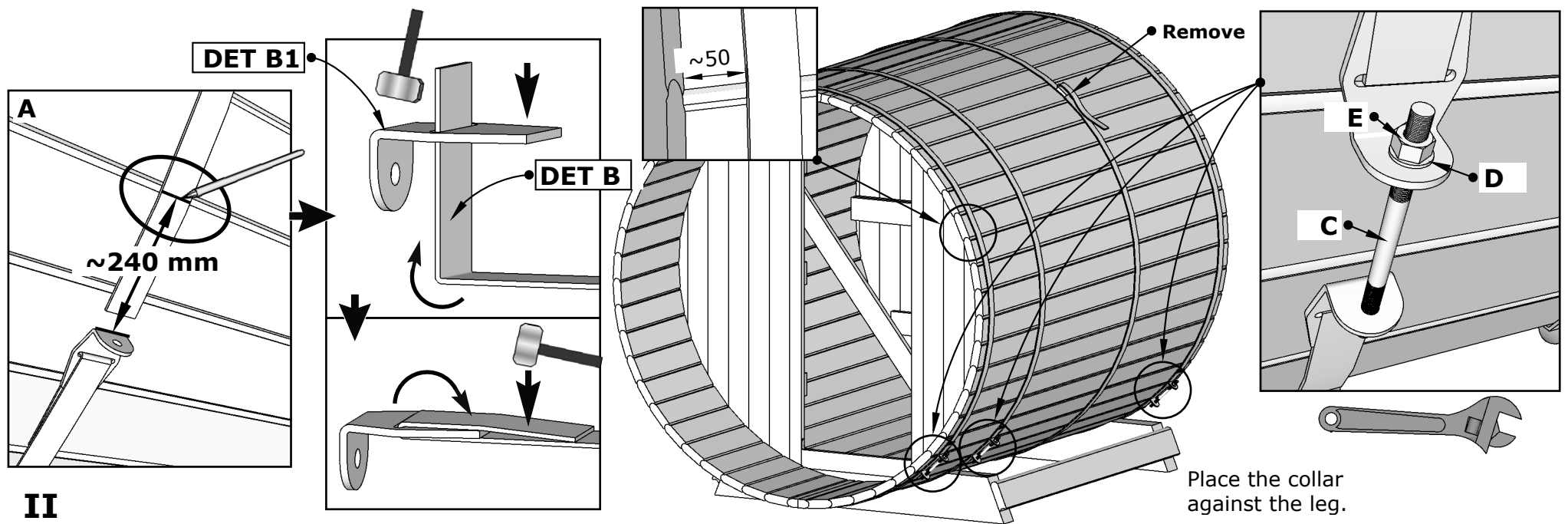
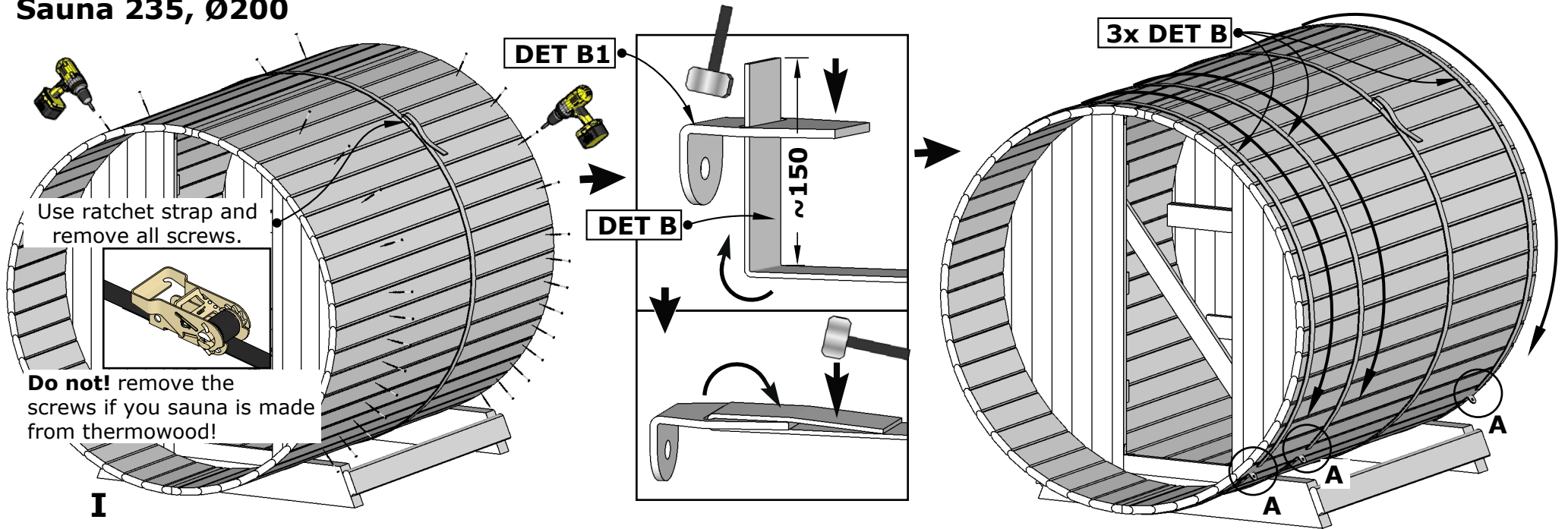


**II**

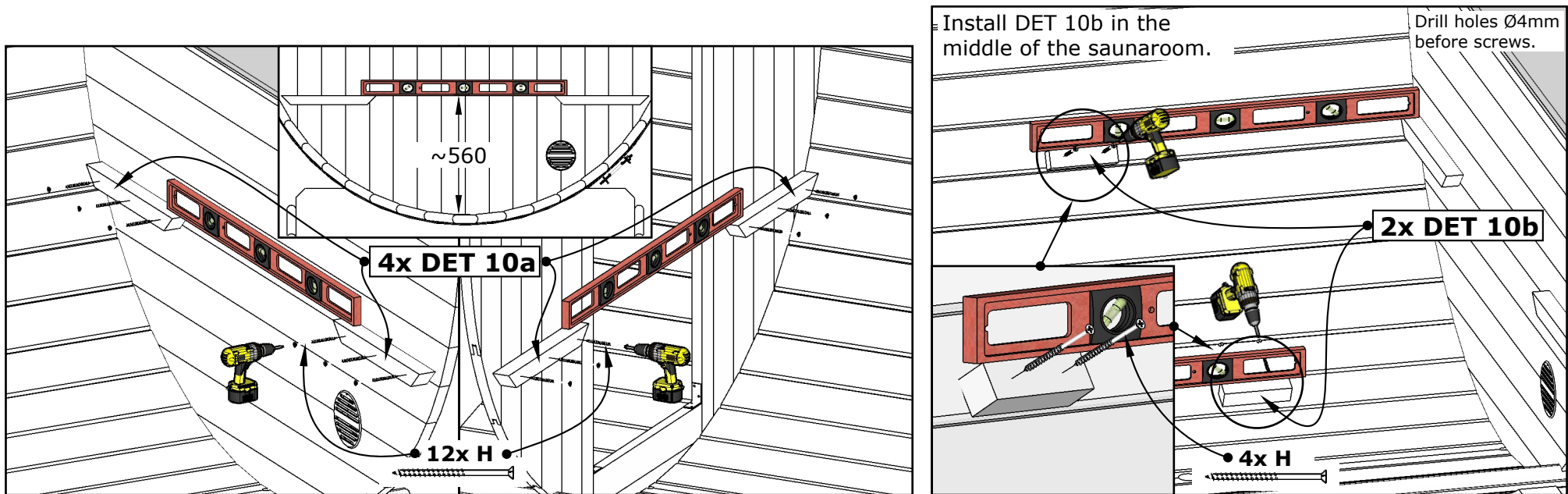
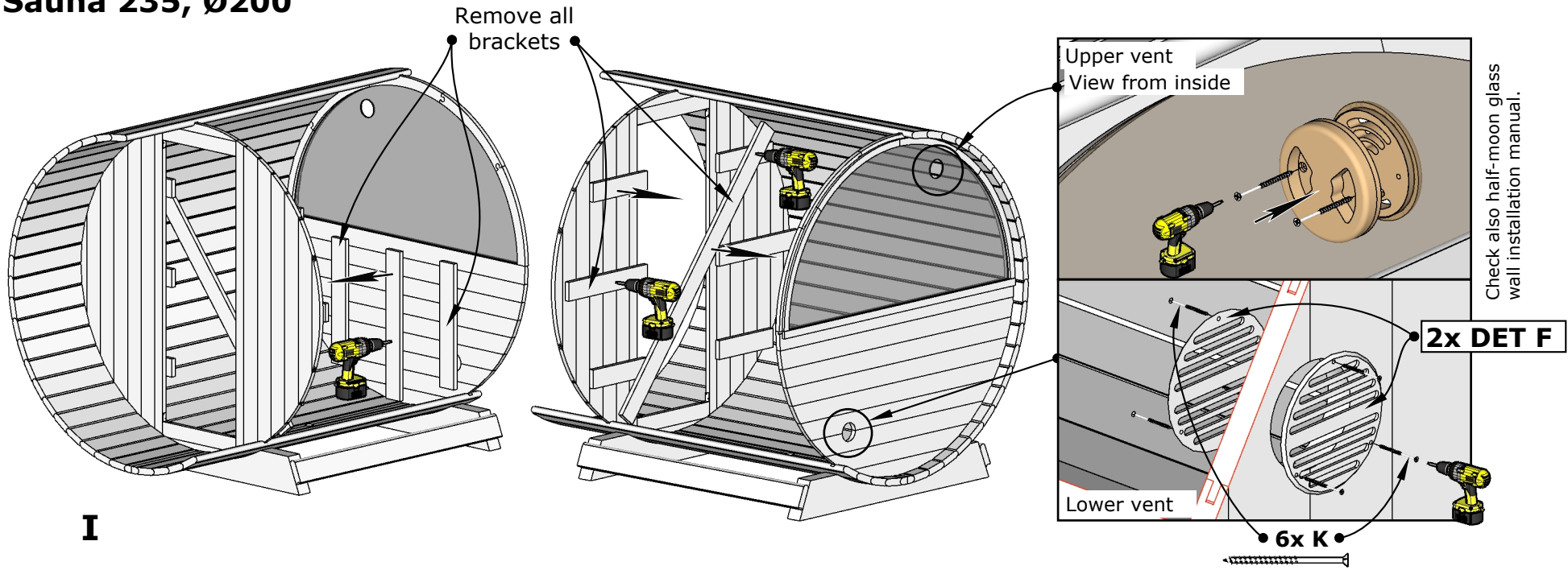
6.

(POL-010)

# Sauna 235, Ø200



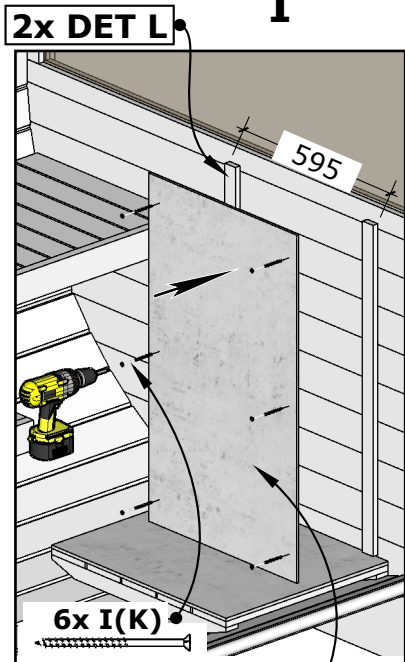
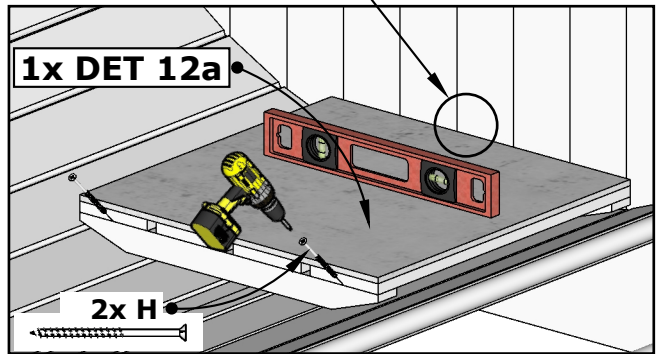
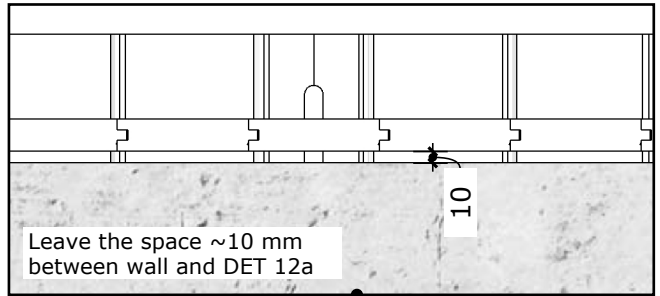
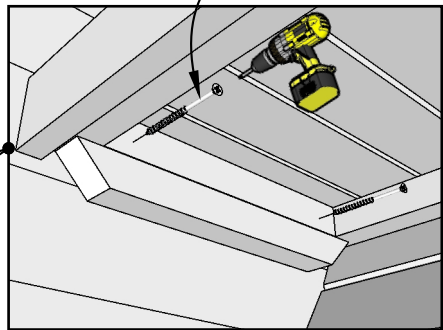
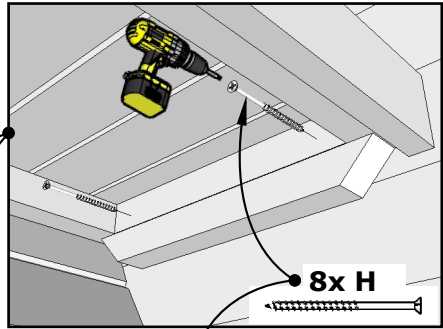
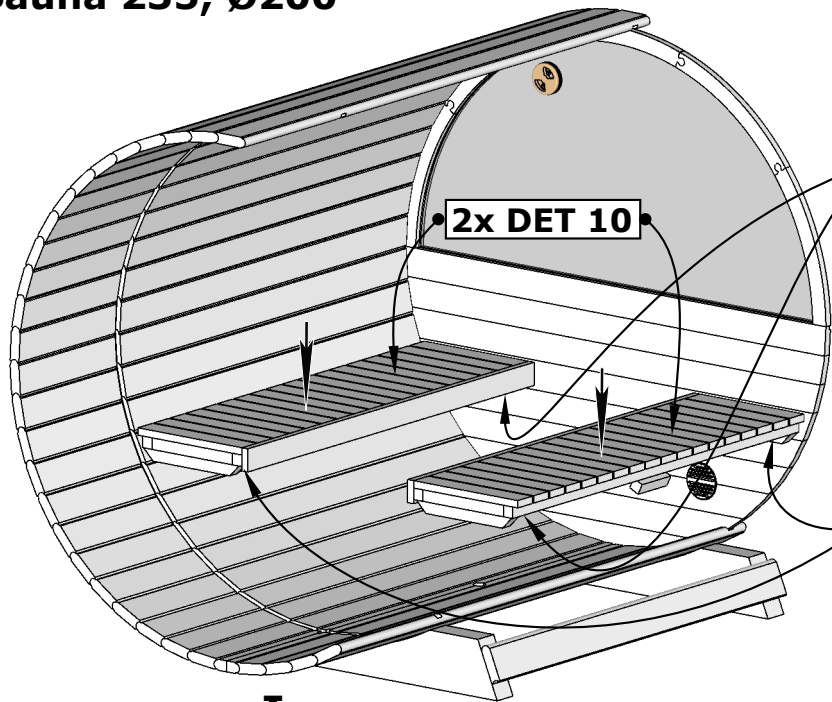
# Sauna 235, Ø200



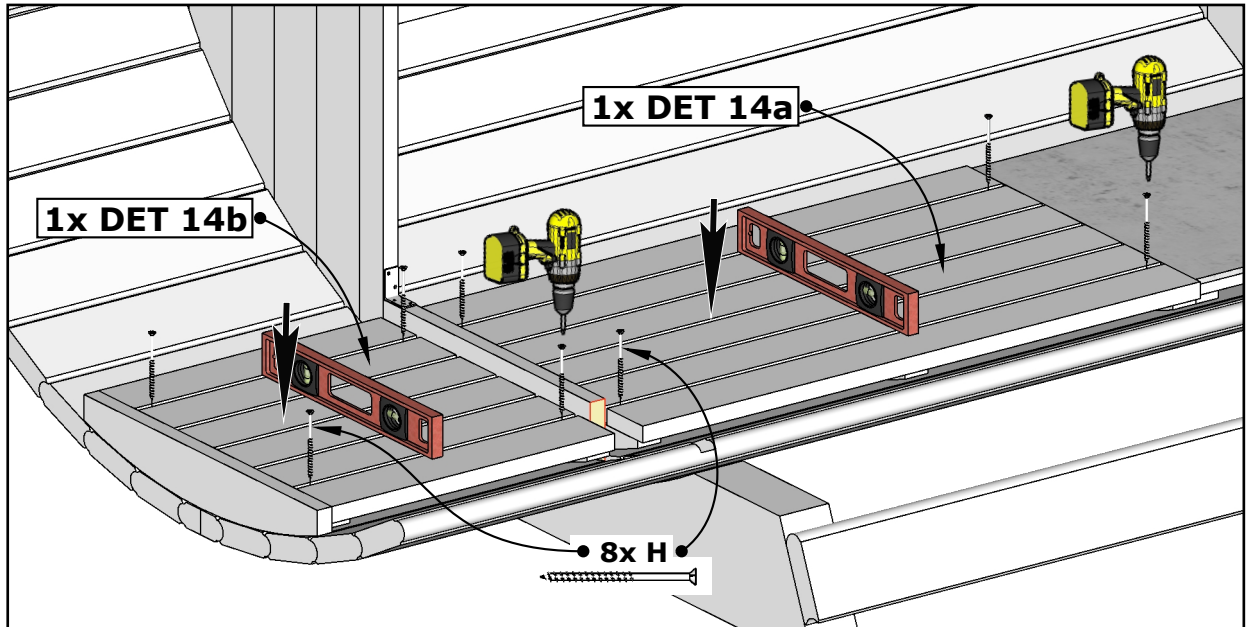
8. **II**

(POL-010)

# Sauna 235, Ø200



If your sauna is equipped with an electrical heater, fix DET 12 b directly to the wall without DET L. Then use screws K.  
Check also half-moon glass wall installation manual.

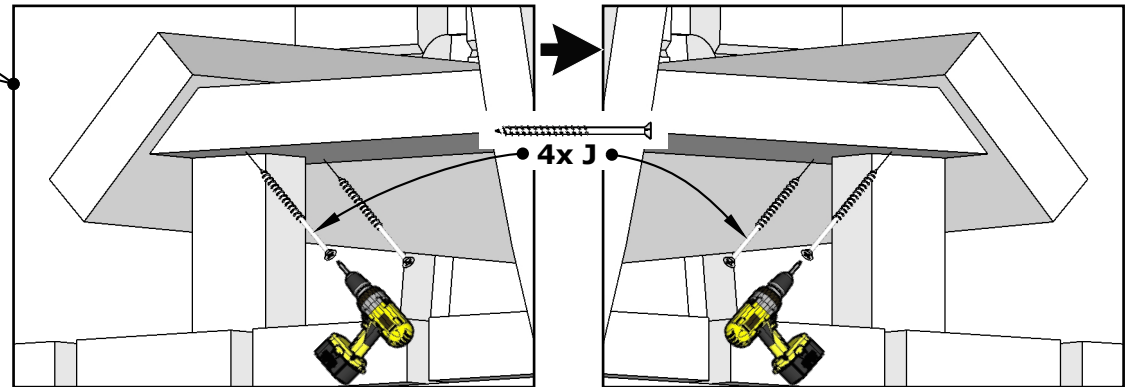
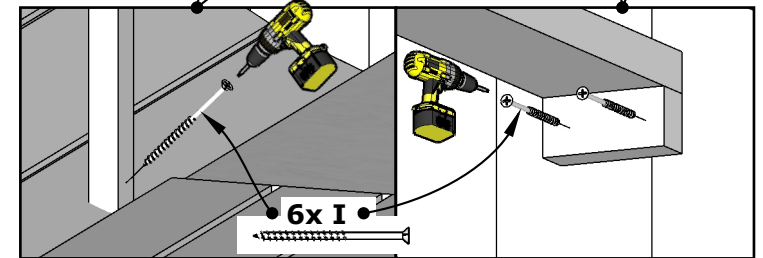
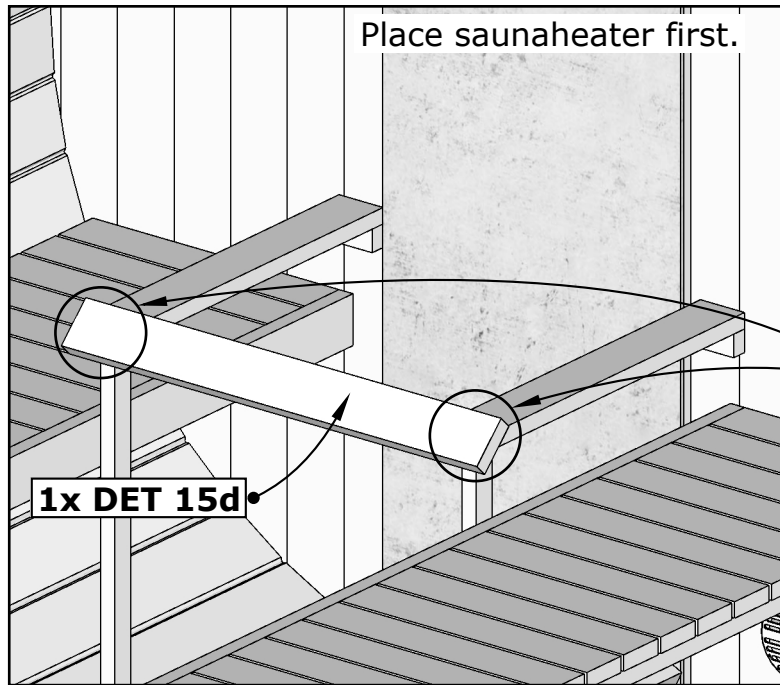
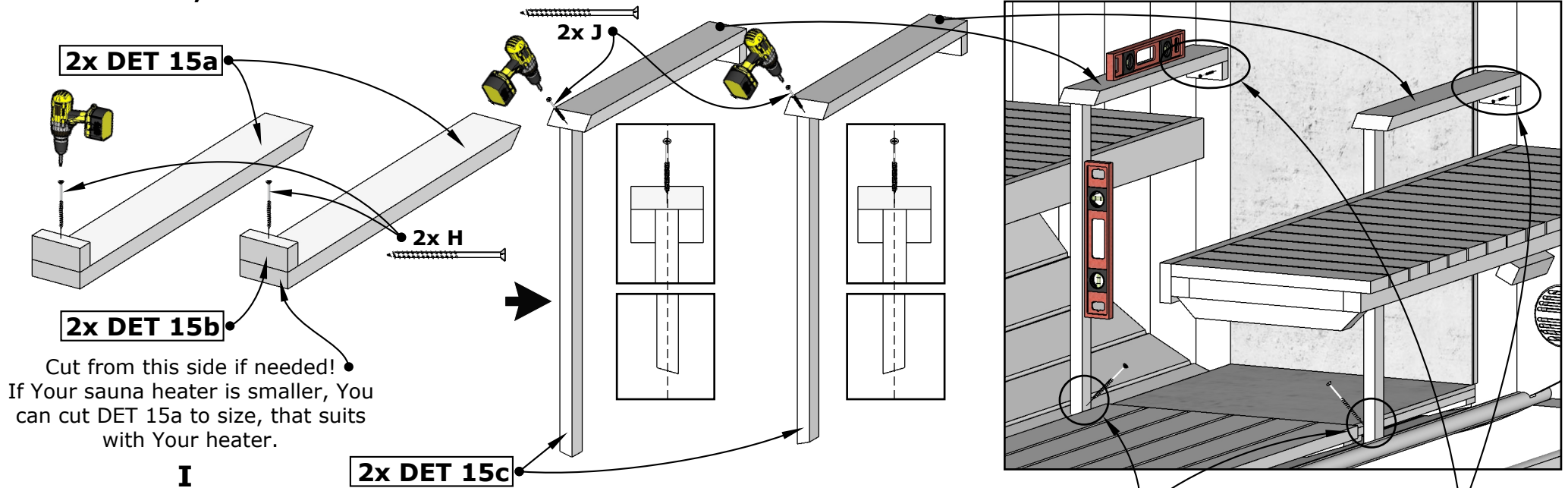


9. II 1x DET 12b

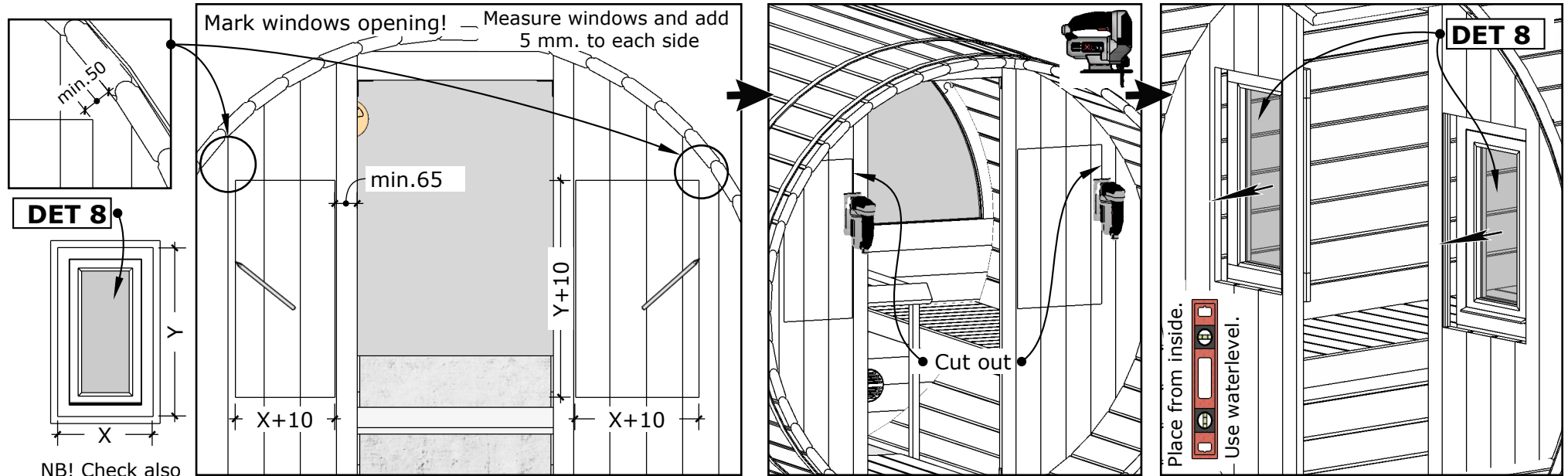
III (POL-010)



# Sauna 235, Ø200

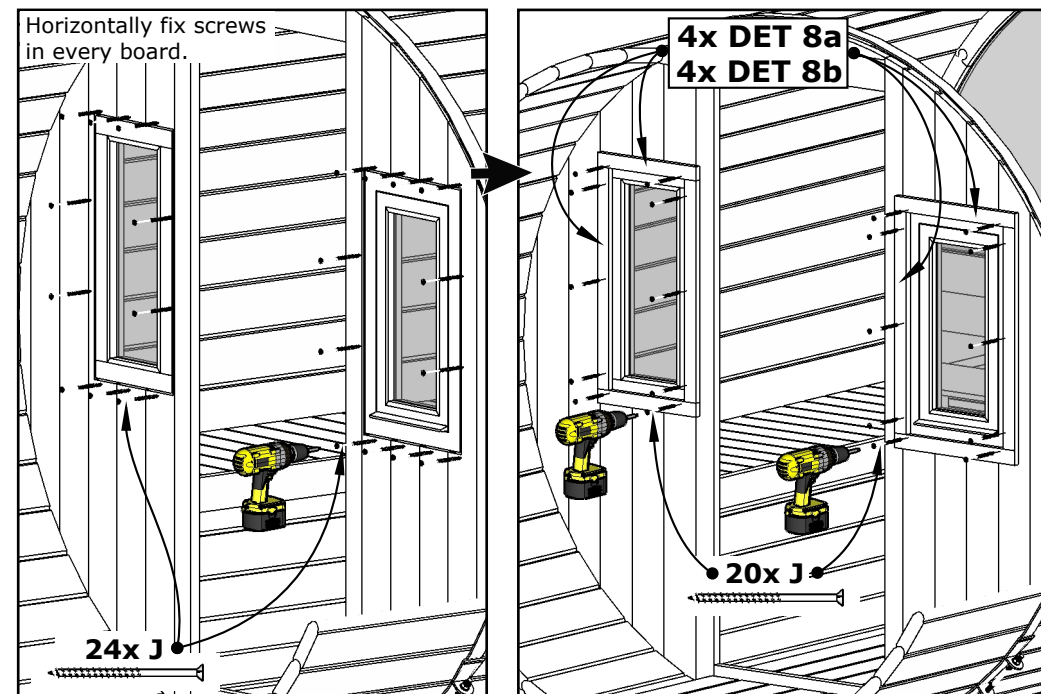


**Sauna 235, Ø200** NB! Only if Your sauna equipped with windows!

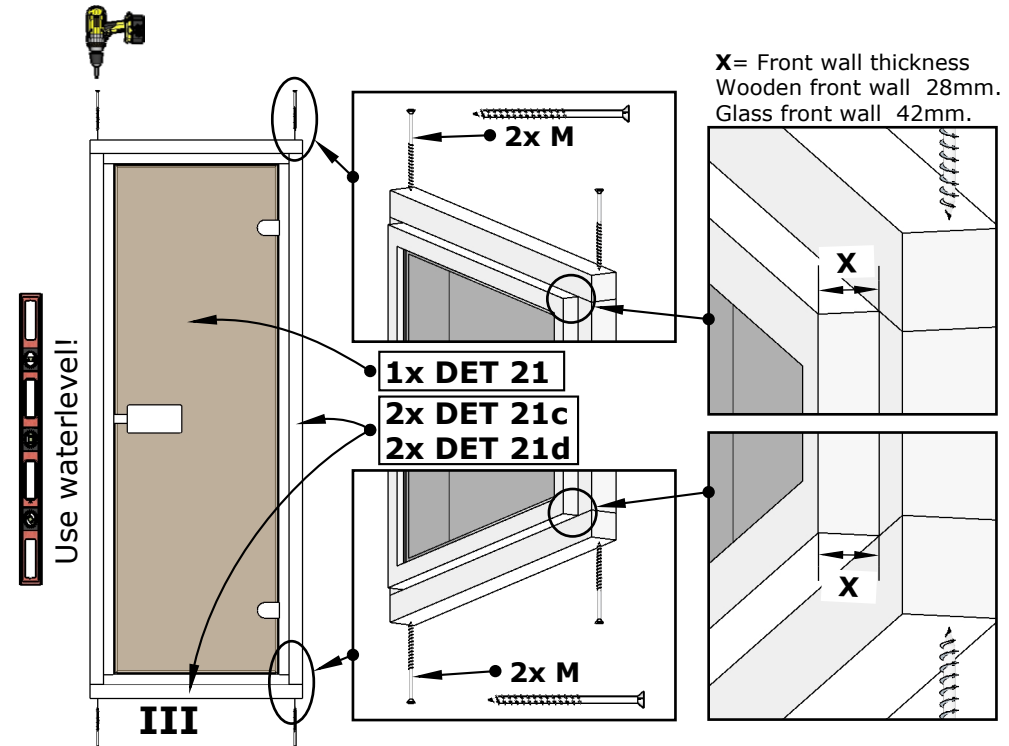


NB! Check also casement windows handing!

**I**



**II**

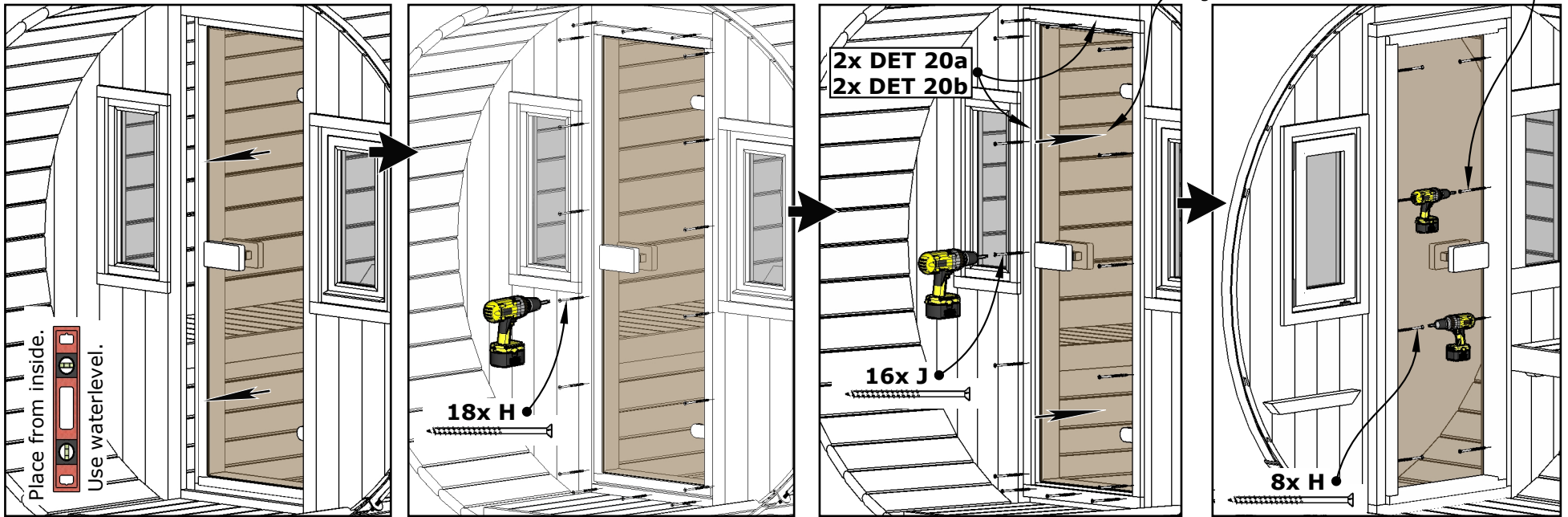


X= Front wall thickness  
Wooden front wall 28mm.  
Glass front wall 42mm.

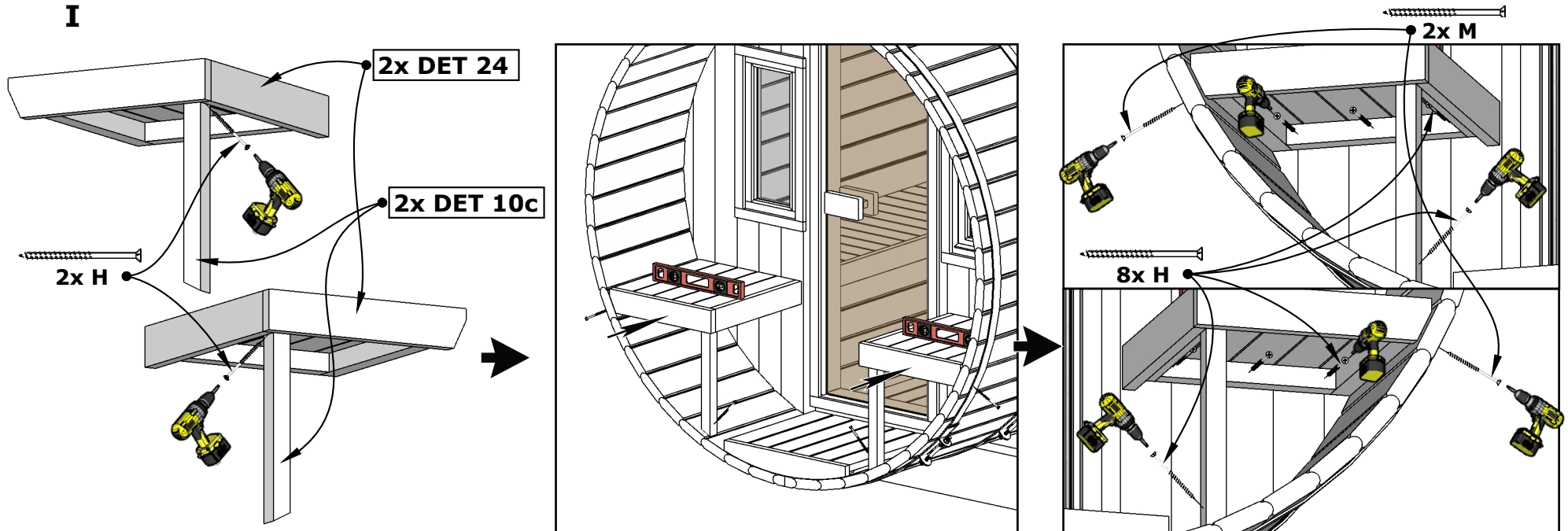
**11.**

(POL-010)

# Sauna 235, Ø200



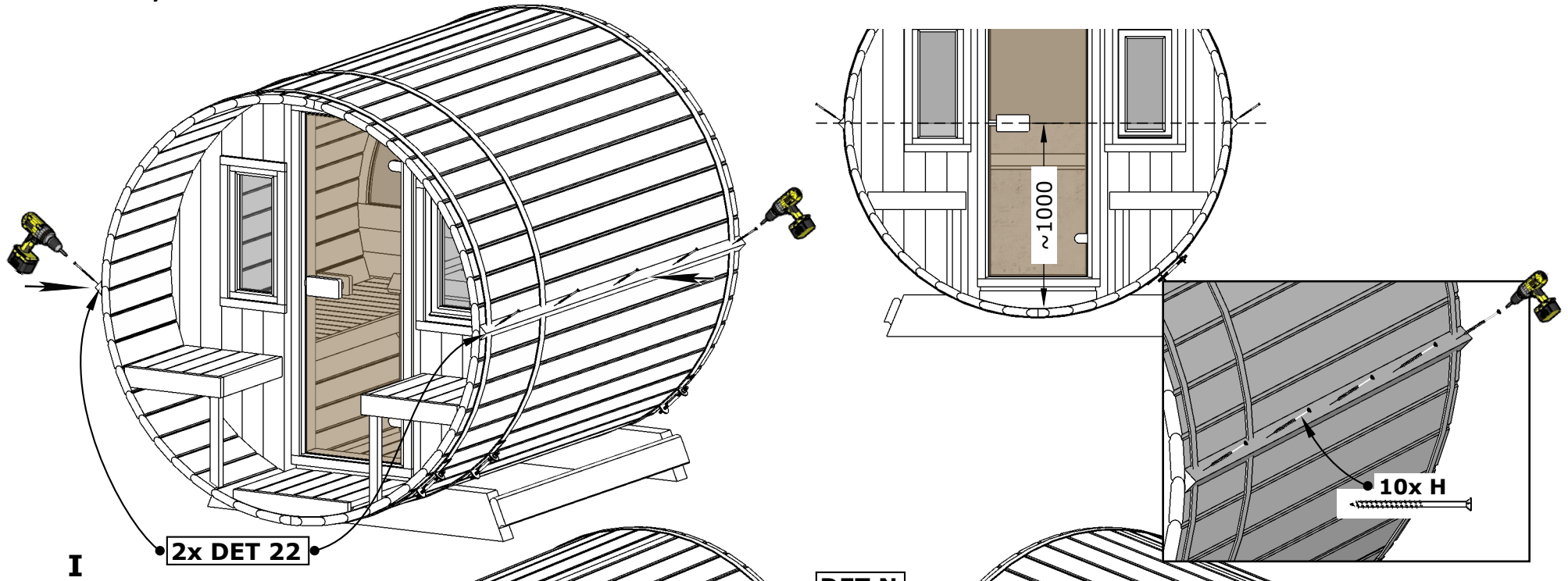
I



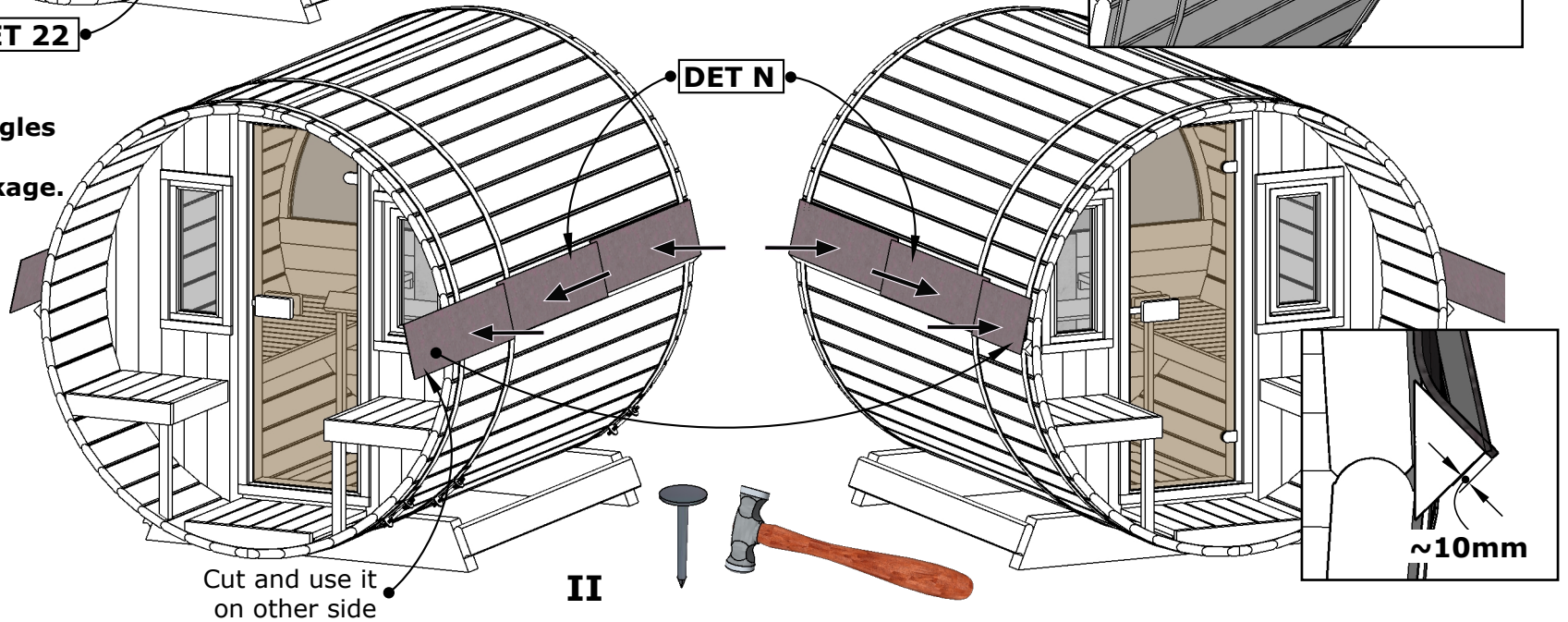
12. II

(POL-010)

# Sauna 235, Ø200



**NB! Check also shingles installation manual inside shingles package.**



# Sauna 235, Ø200

