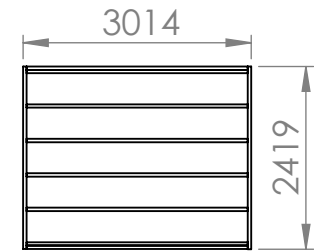
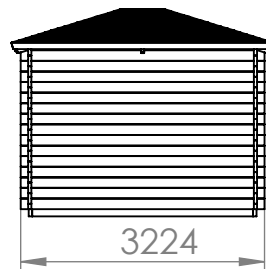
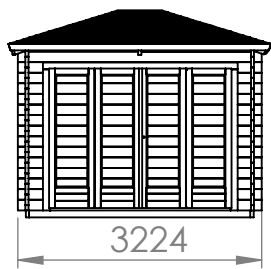
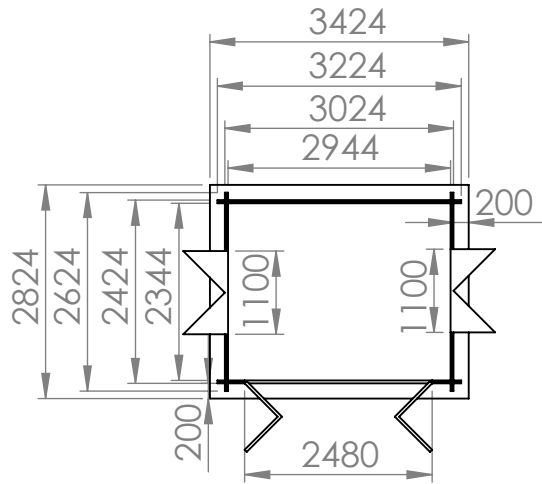
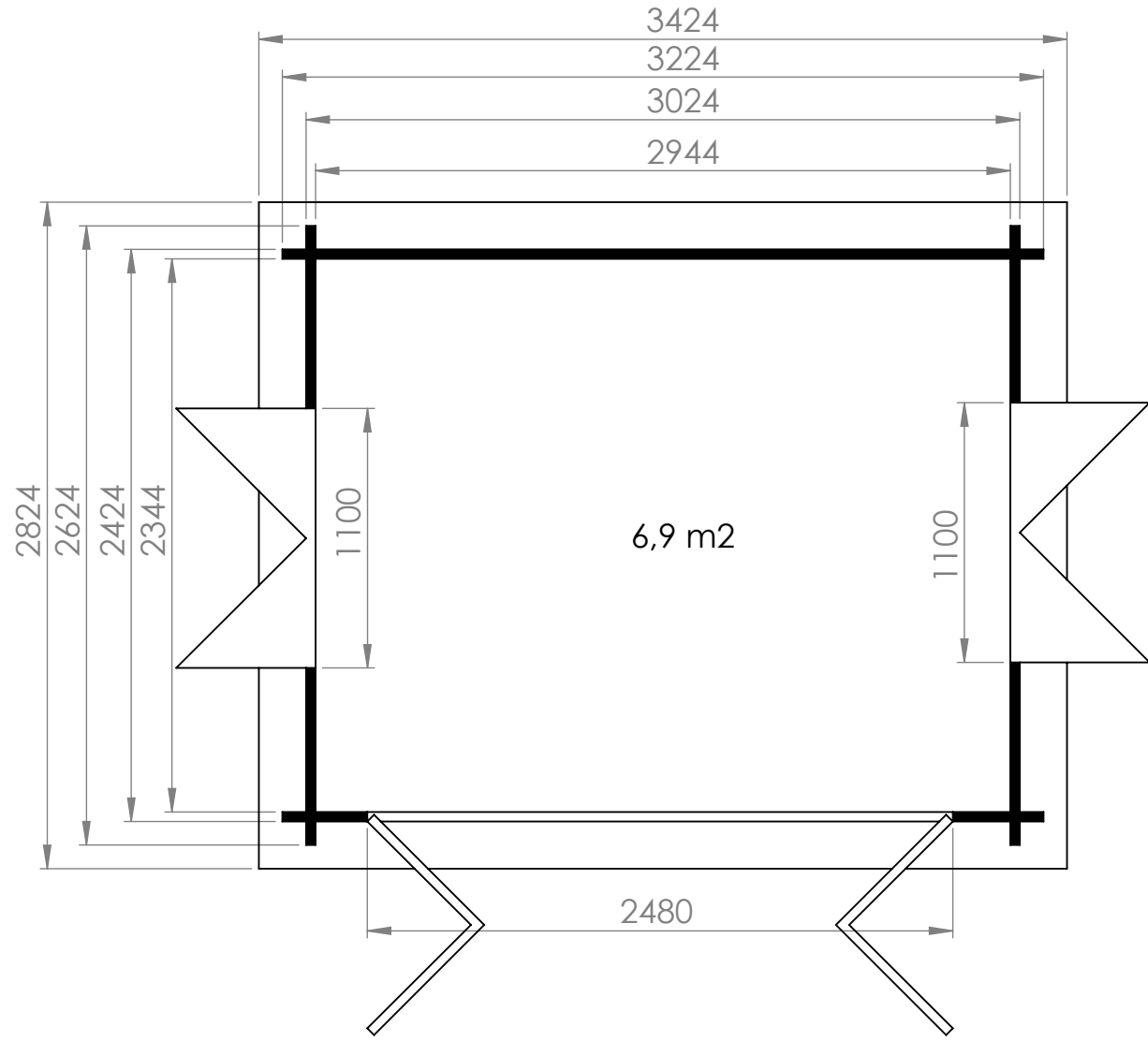
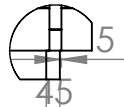
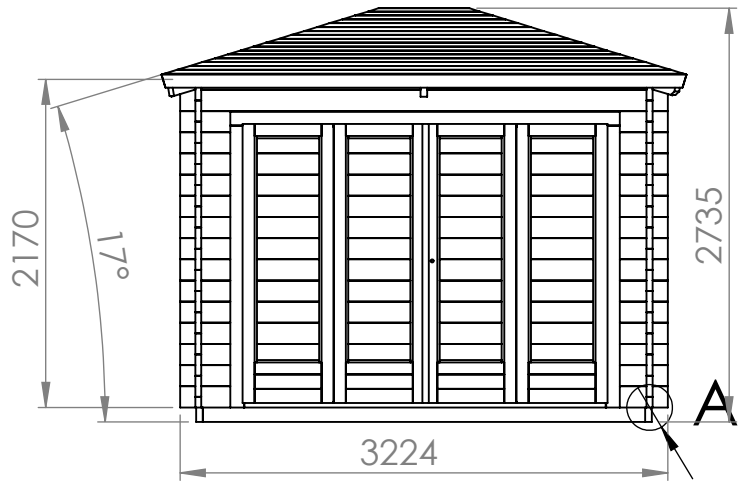


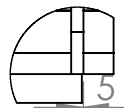
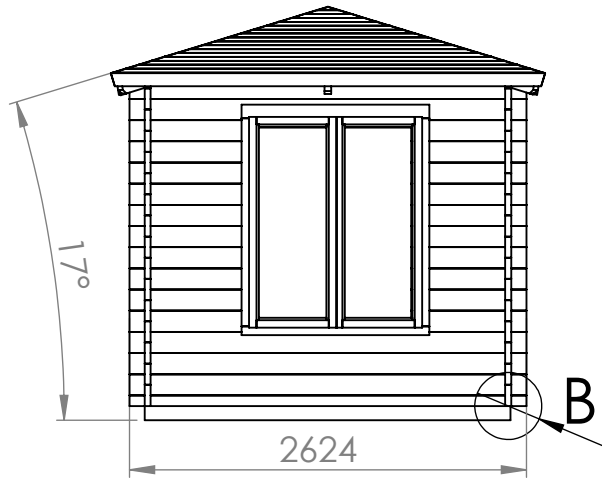
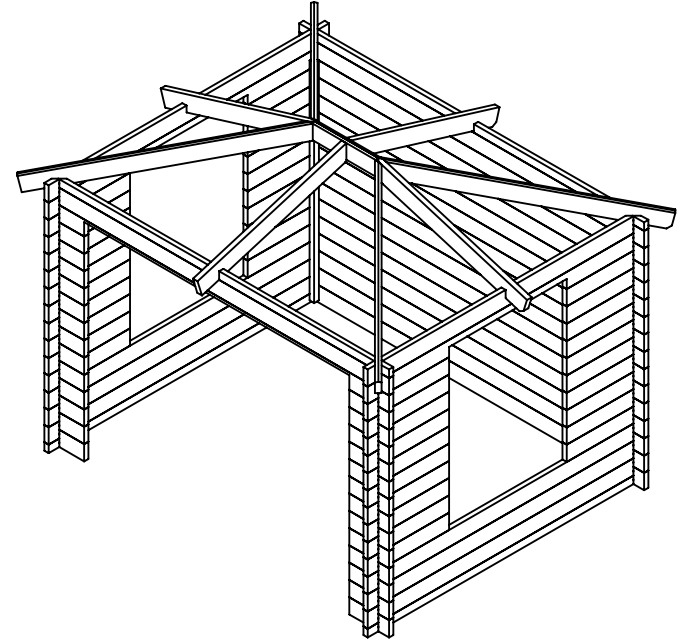
Cornelia-40 ISO



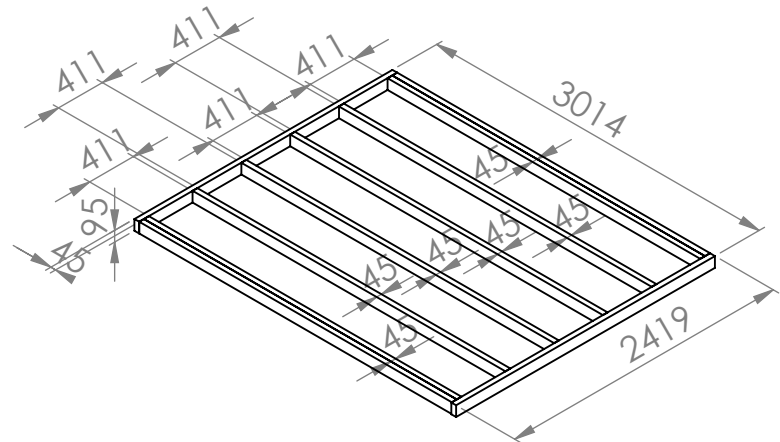


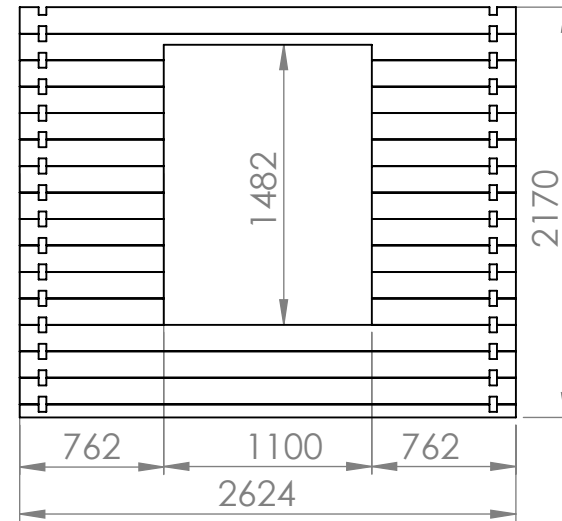
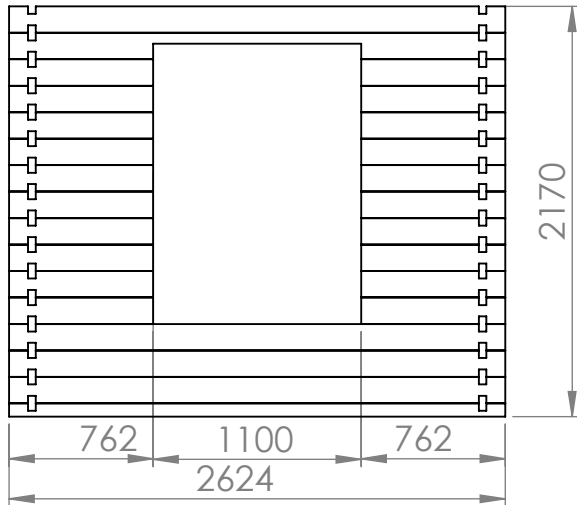
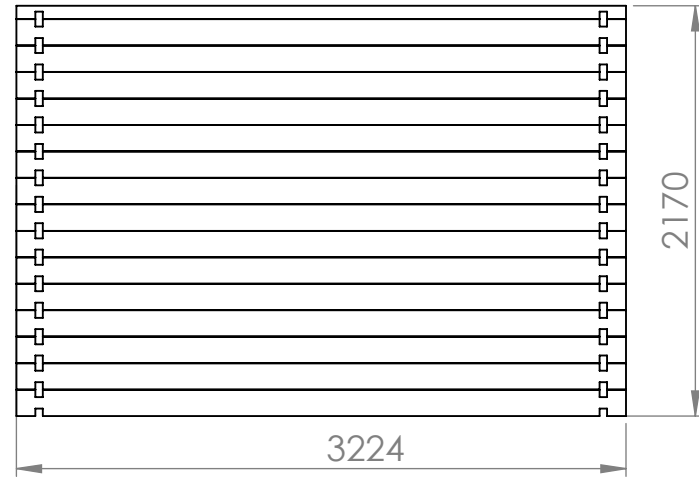
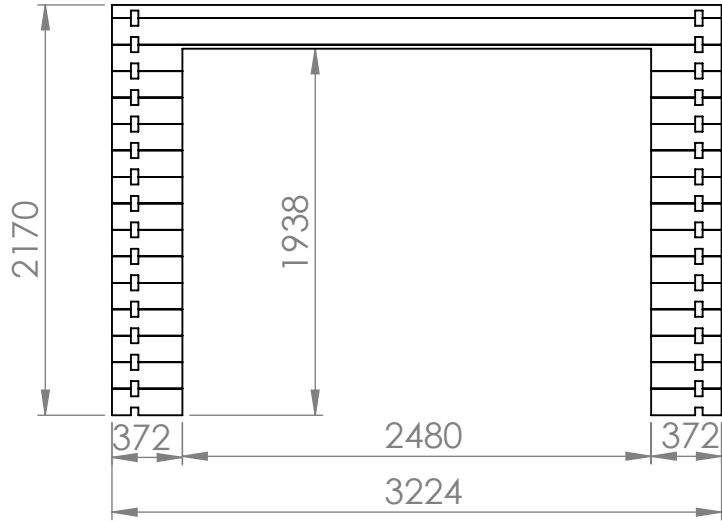


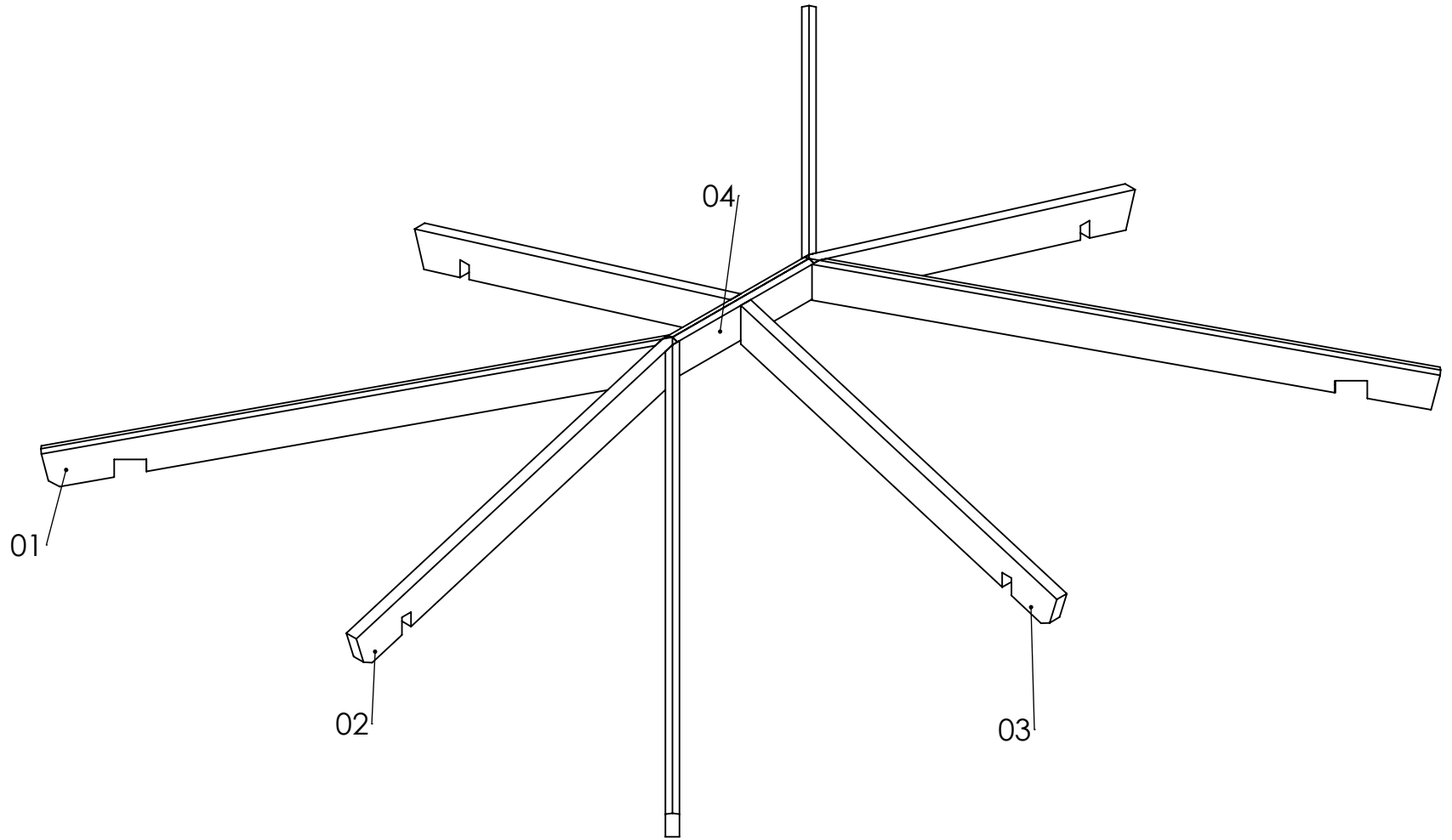
DETAIL A

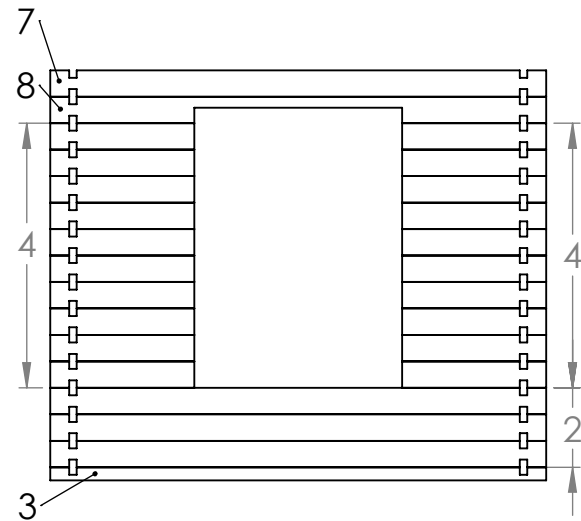
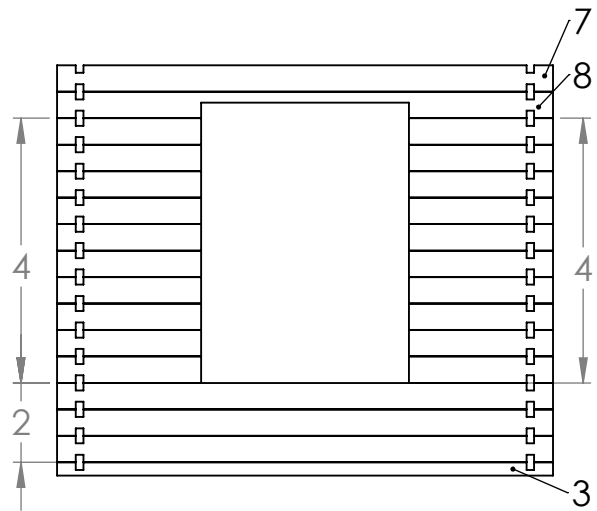
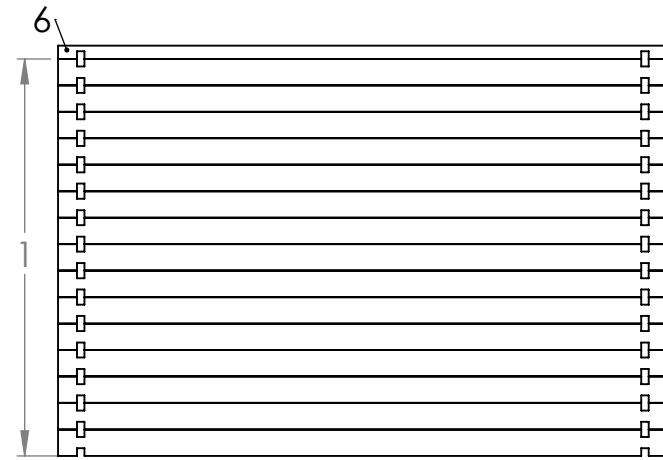
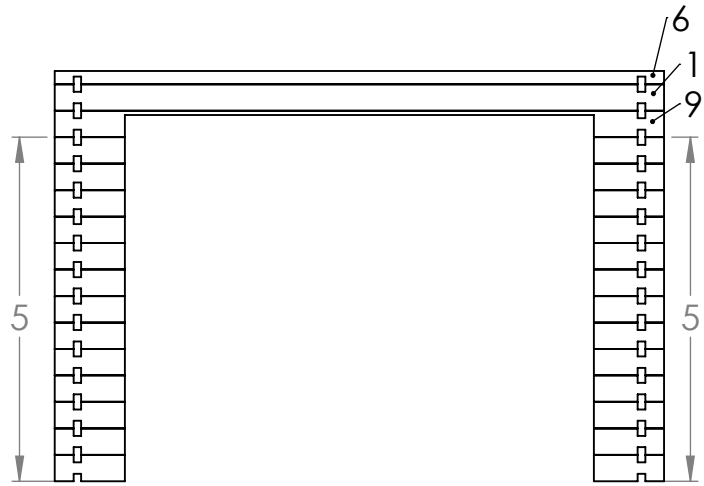


DETAIL B





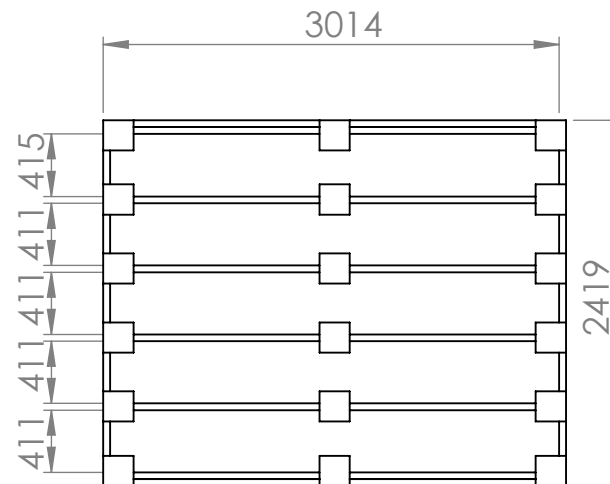


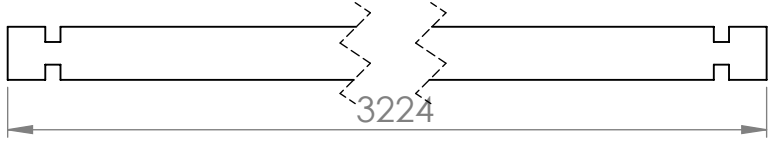
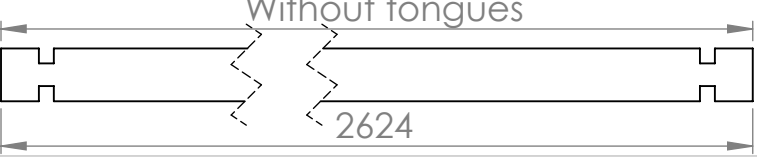
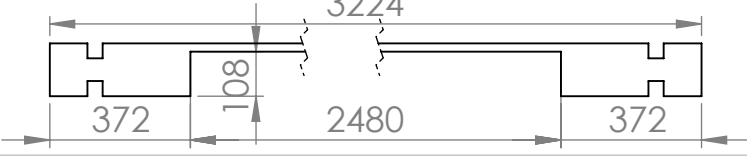
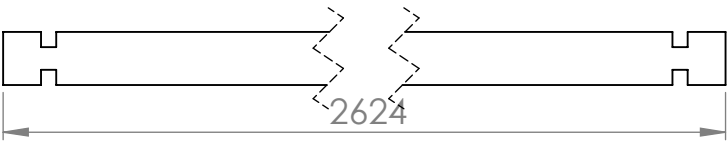
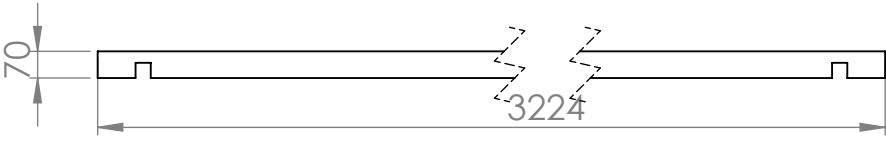
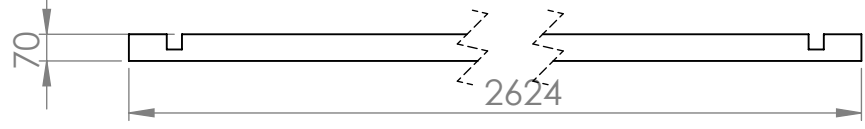
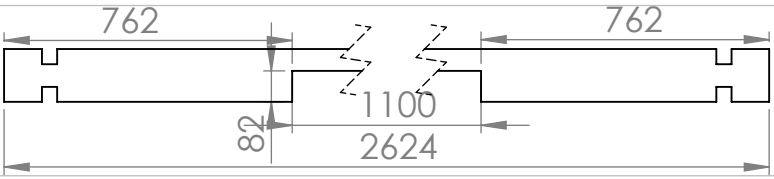
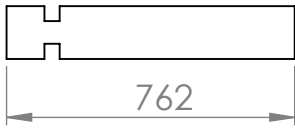
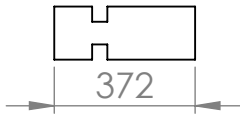


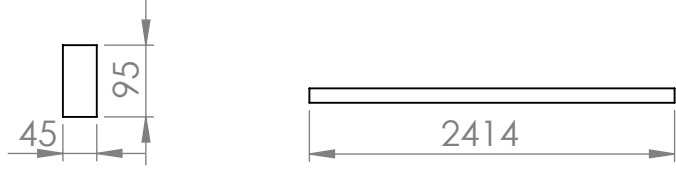

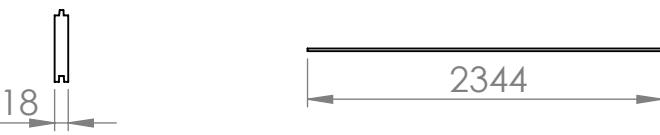




Detta är ett förslag för hur man kan placera plintarna (100- 200 mm i diameter) för golvbjälklaget. Golvbjälkarna är med i byggsatsen, men inte plintarna. Använder man exempelvis 500-600mm långa murblock så kan man halvera antalet punkter. Lägg fuktskyddande papp mellan betong och trä

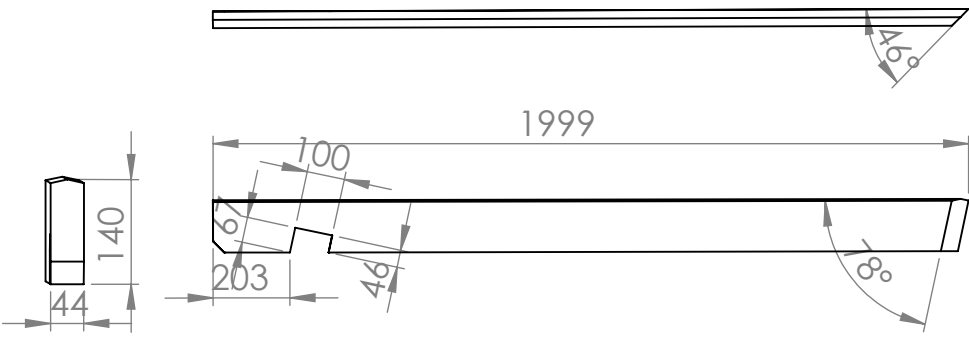
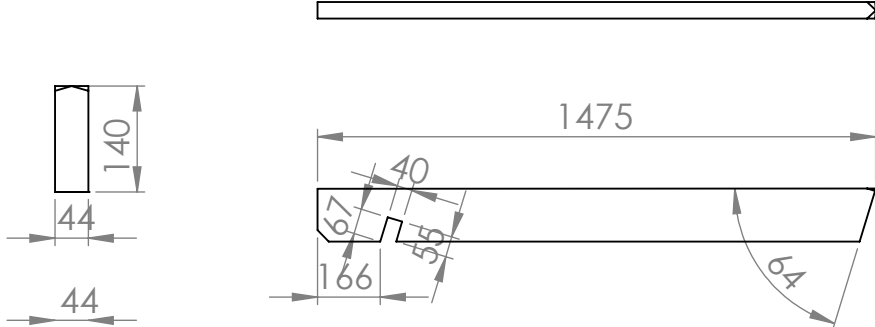
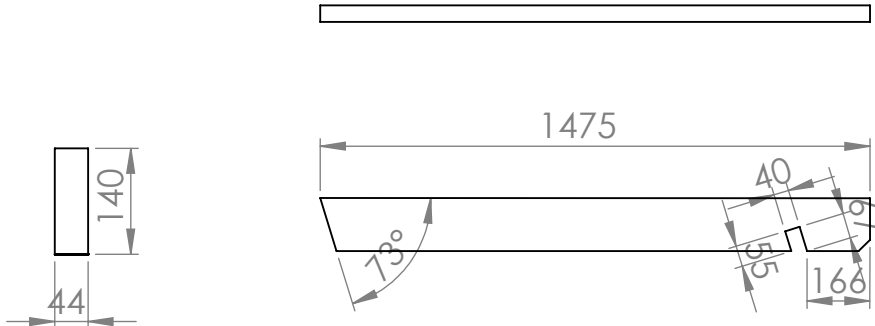

Tämä on ehdotus siitä, miten (100-200 mm läpimittaiset) jalat voidaan sijoittaa alapohjaa varten. Lattiapalkit ovat rakennussarjassa, mutta jalat ei ole. Kun käytetään esimerkiksi 500-600 mm pitkiä harkkoja, voidaan pisteiden määrä puolittaa. Aseta betonin ja puun väliin kosteudelta suojaava pahvi

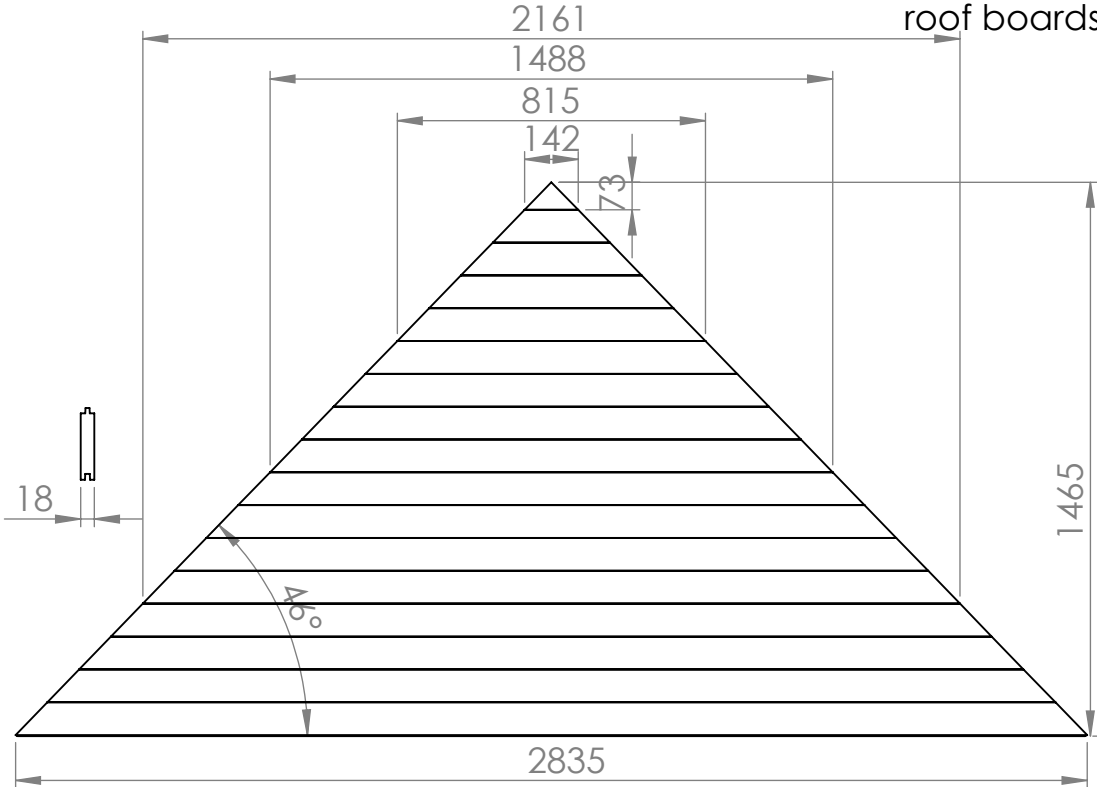
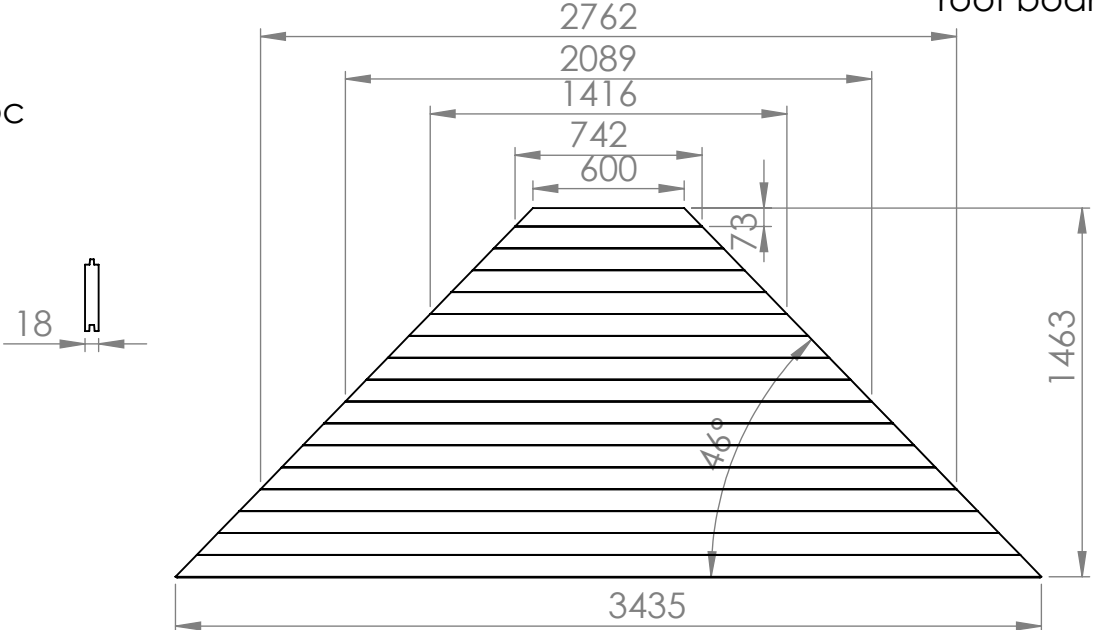
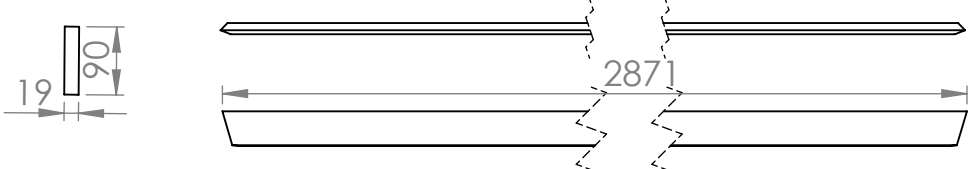
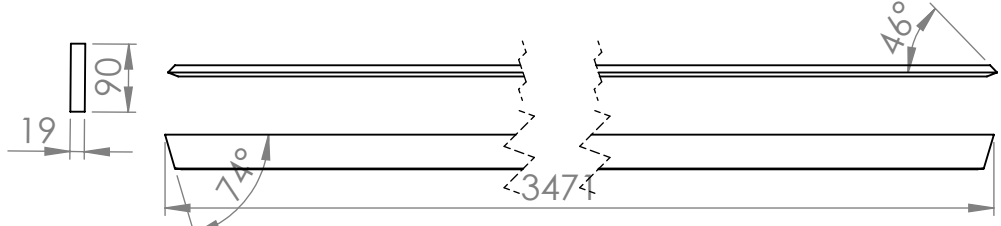
A proposal for placing plinths (100-200 mm in diameter) for floor beams. Floor beams are provided in the kit but plinths are not included. For example, by using 500-600 mm long masonry units, one can reduce the number of points 50%. Place cardboard between the concrete and wood to protect from moisture

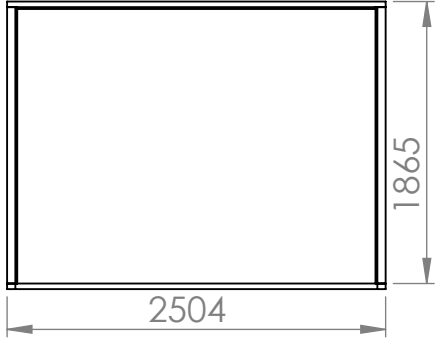
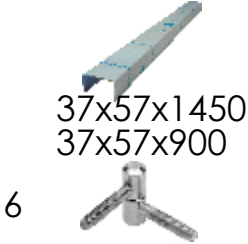

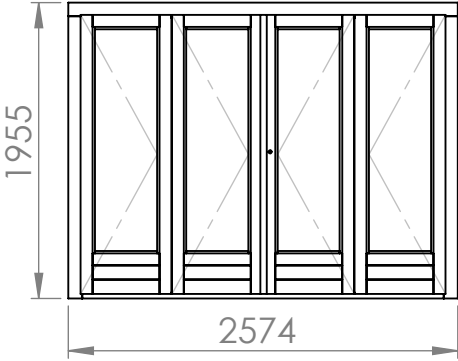







Num	Qty	Cornelia-40 ISO	26.01.2022
①	16 + 1		
⑦	2	<p>Without tongues</p> 	
⑨	1		
②	6		
⑥	2		
③	2		
⑧	2		
④	40 + 1		
⑤	26		

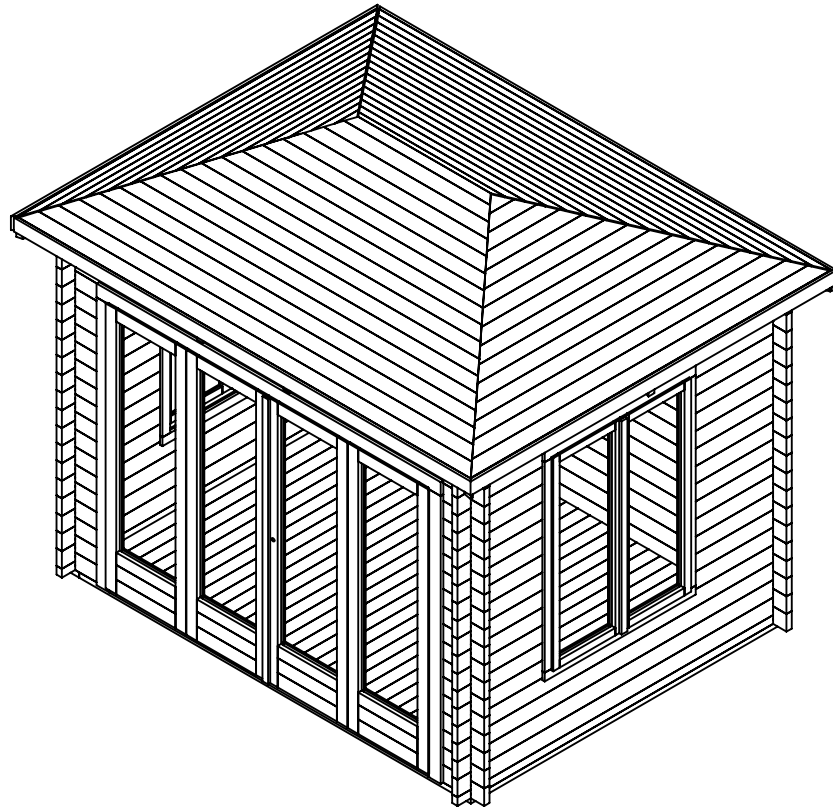
Num	Qty	Cornelia-40 ISO	26.01.2022
	2		floor beam
	8		floor beam
18x88	36		floor boards
18x118	27		
18x140	23		
			floor trim
	4		corner post
	4		cover boards
	4		cover boards

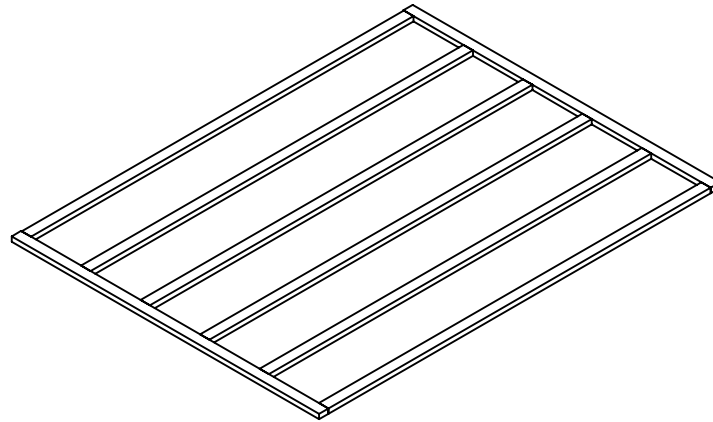
Num	Qty	Cornelia-40 ISO	26.01.2022
01	2+2 mirror		
02	2		
03	2		
04	1		

Num	Qty	Cornelia-40 ISO	26.01.2022
	2 34 pc		roof boards
	2 34 pc		roof boards
	2		
	2		

Num	Qty	Cornelia-40 ISO		26.01.2022
	1		<p>attached</p>  <p>6 37x57x1450 37x57x900</p>	<p>in package</p>  <p>8 4.5x100</p>
	1		 <p>4</p>	
	2			 <p>2</p>

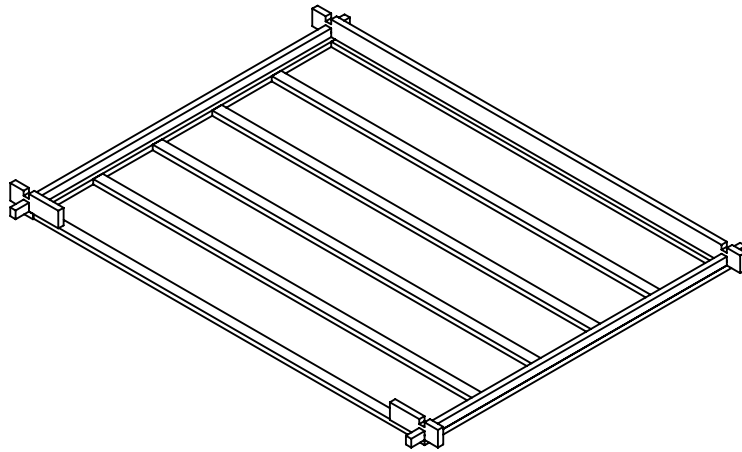
Assembly guide for Cornelia type houses



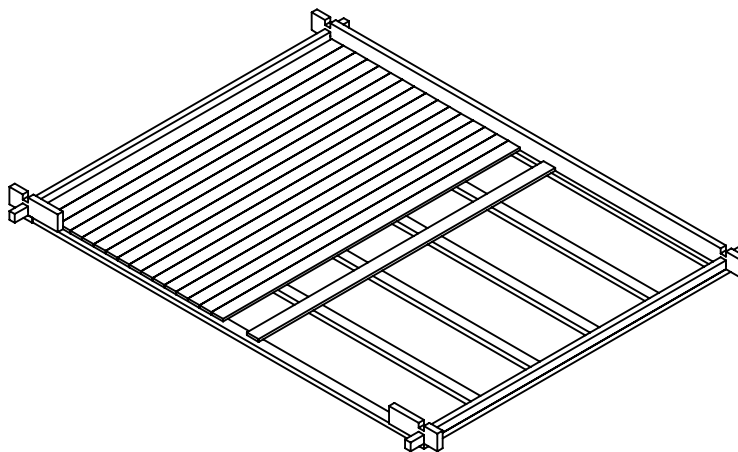
Assemble floor base frame

**If an problems occurs during the installation of the house,
please do not build further. Immediately
inform the reseller about the problems with pictures.**

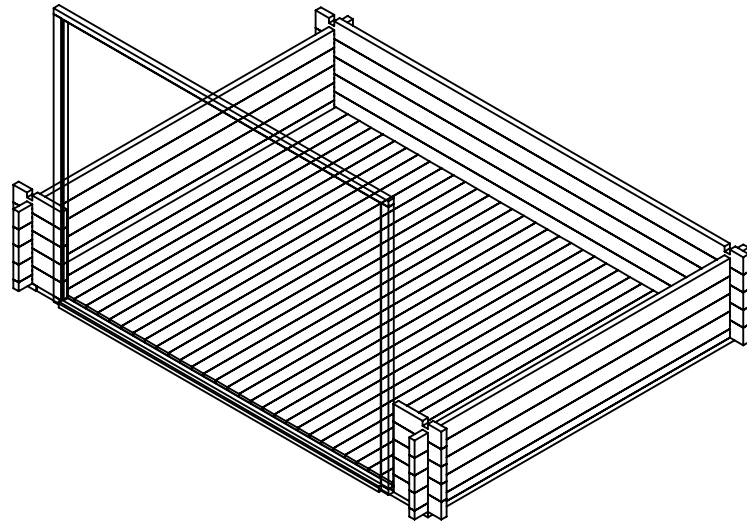
Secure first level of wall boards to base frame with screws



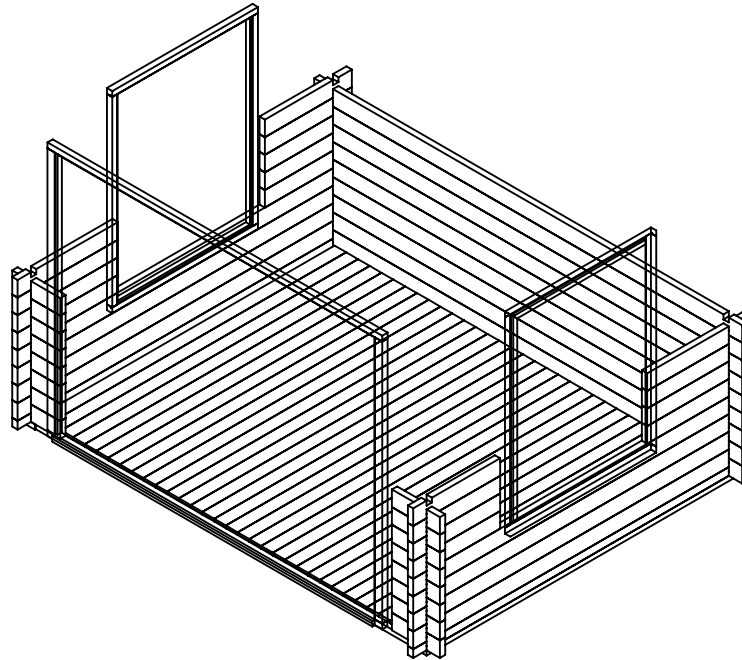
Install the floor boards



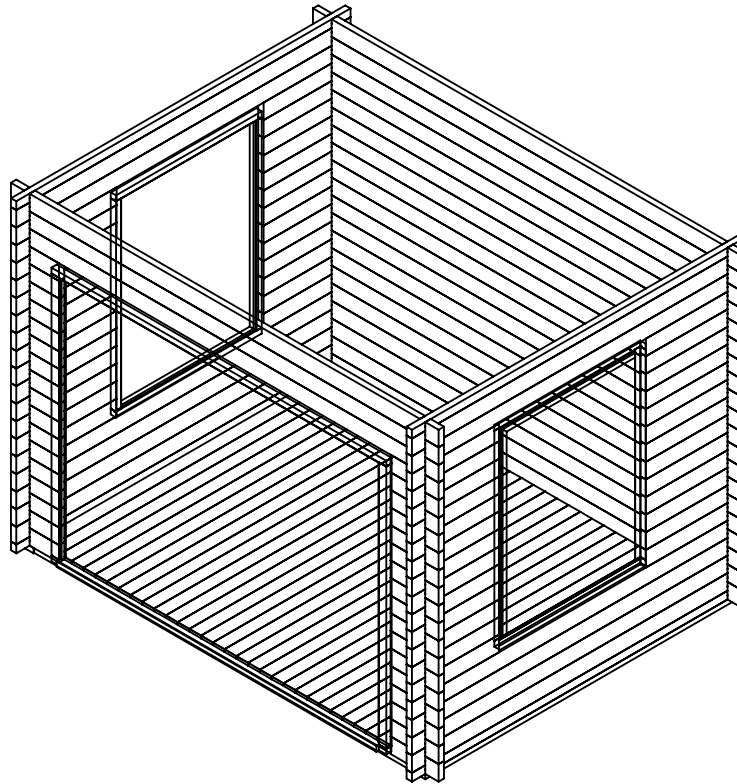
Build walls up as shown, assemble door frames and drop into place



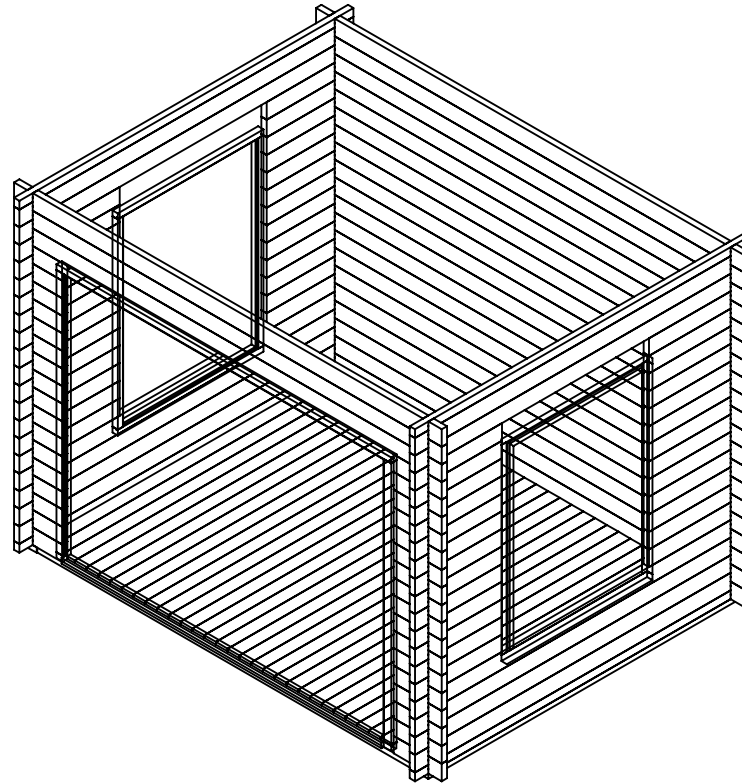
Build walls up as shown, drop window into place



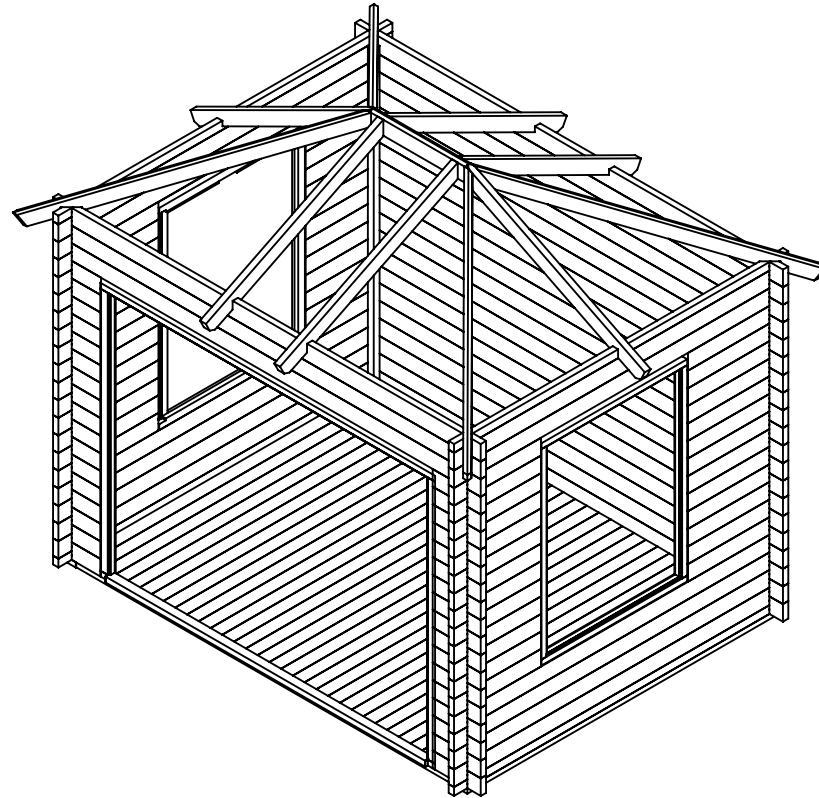
Build walls up as shown



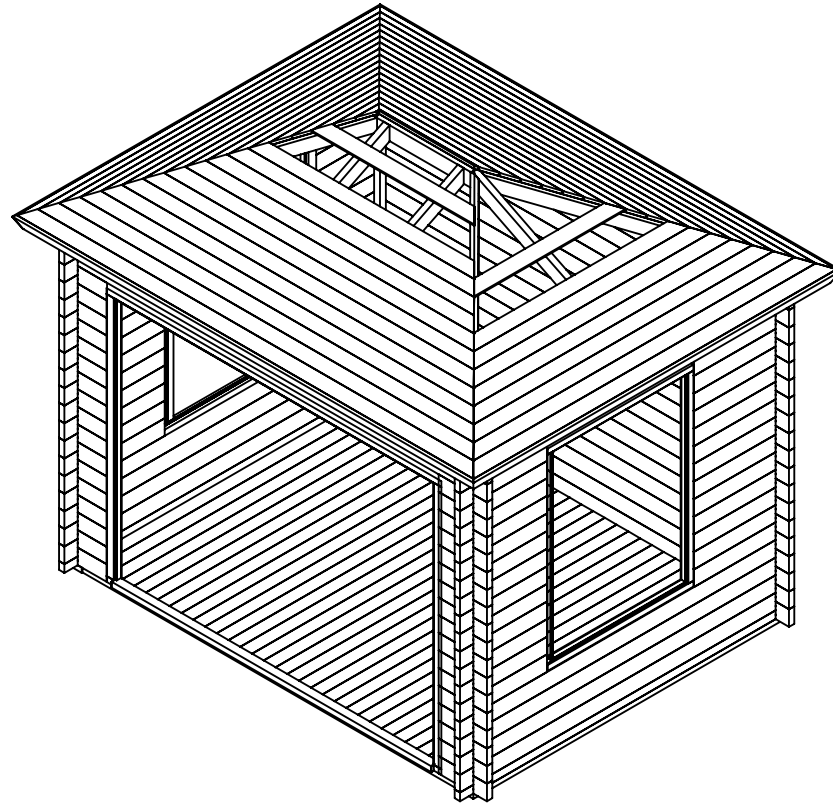
Install floor trim



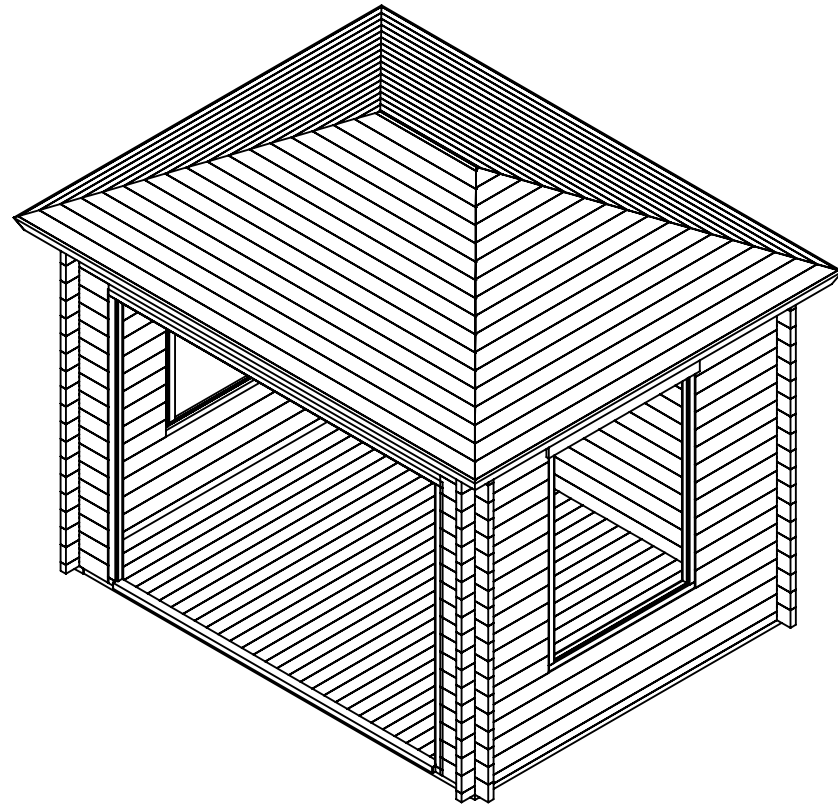
Install roof beams



Install roof boards



Install eave and gable boards



Hang the door and windows

