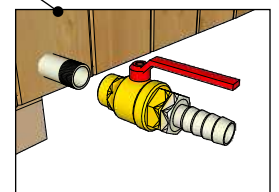
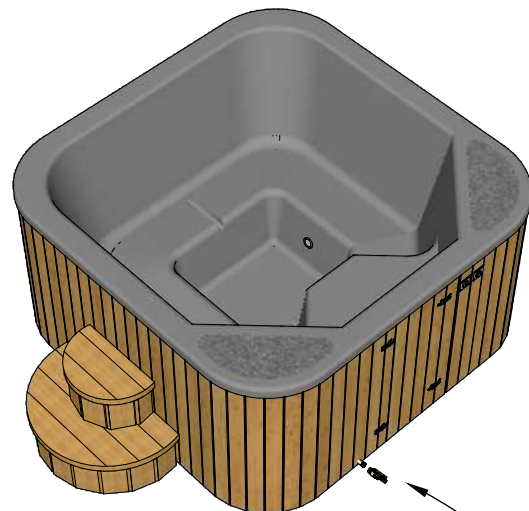
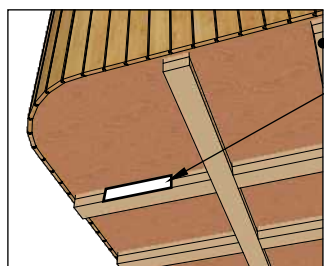
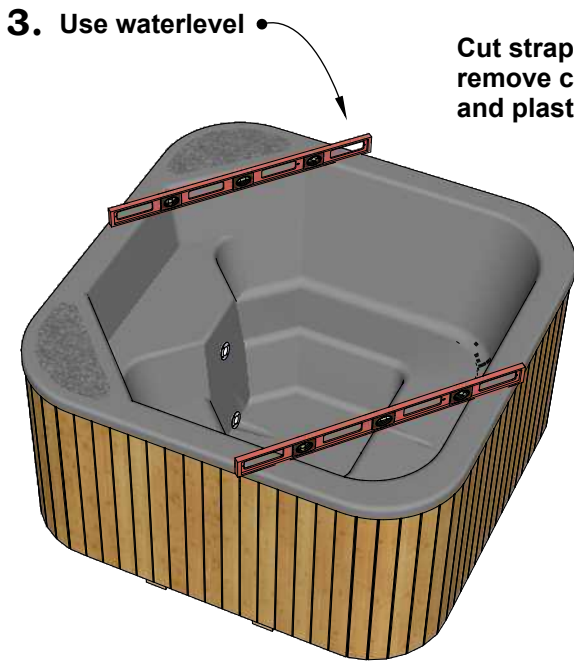
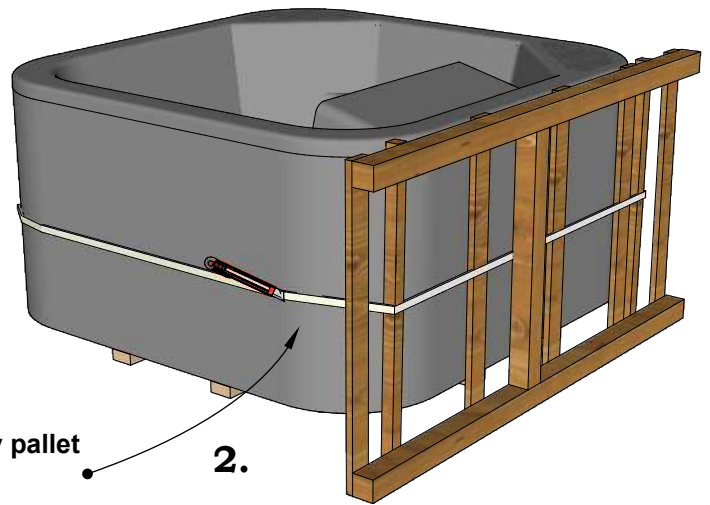
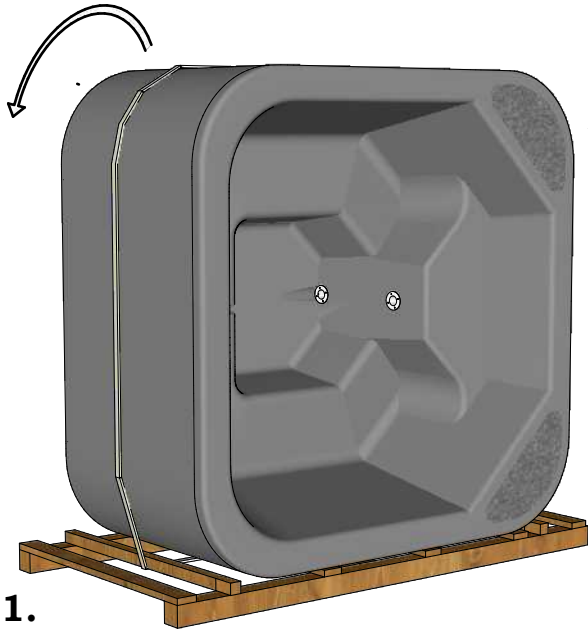


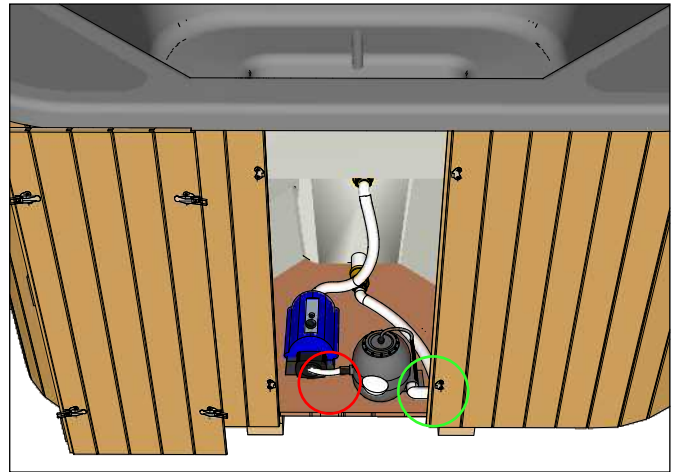
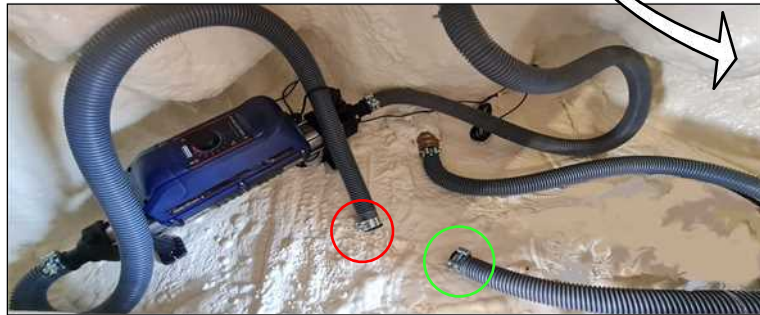
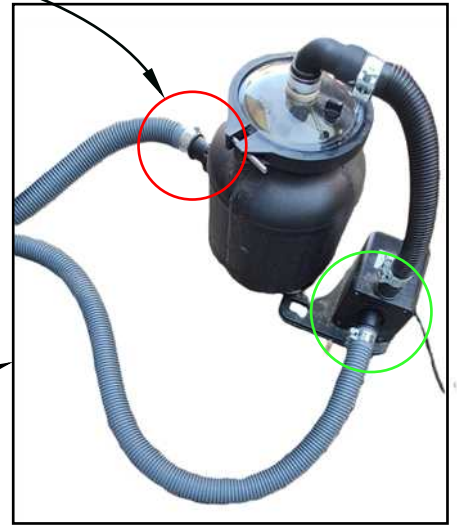
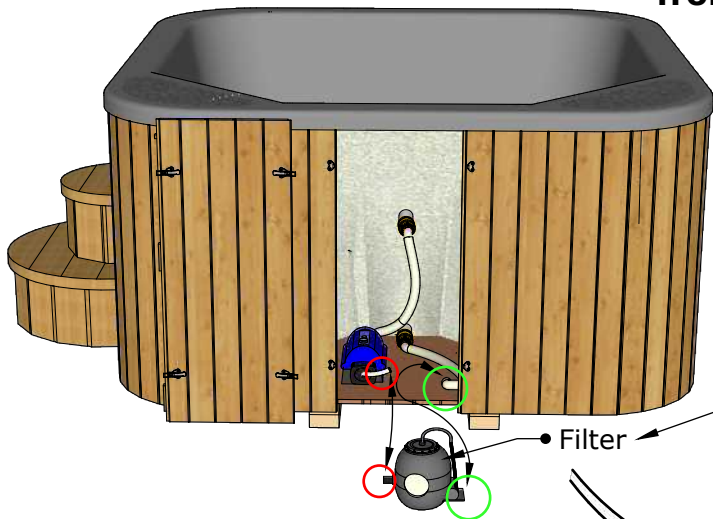
Icon Tub 200 (electrical heater) installation



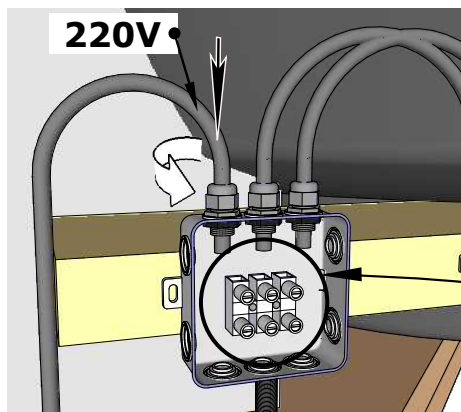
Icon Tub 200 (electrical heater) installation

5. Connect the two hoses to the filter system.

Connect to heating element from this side only!

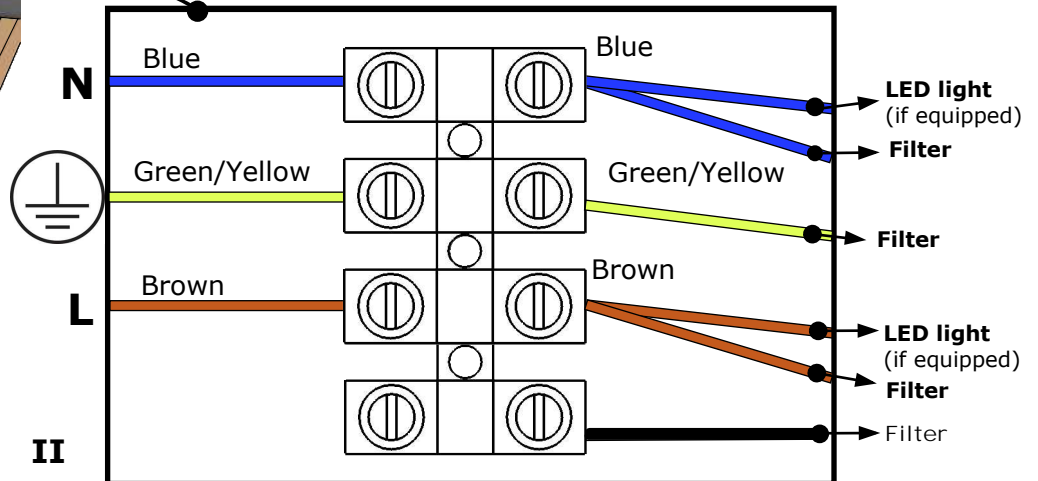


6. Power installation.



ALL ELECTRICAL WORK MUST BE PERFORMED BY A LICENSED ELECTRICIAN !!!

220 V



Icon Tub 200 (electrical heater) installation

7. Fill with water.

