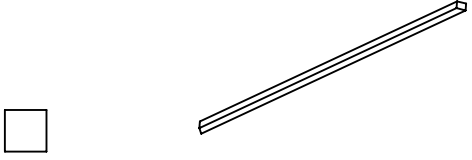
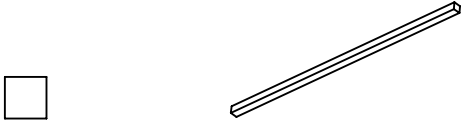
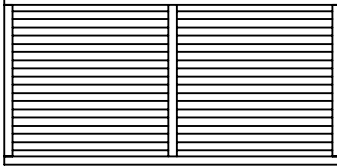
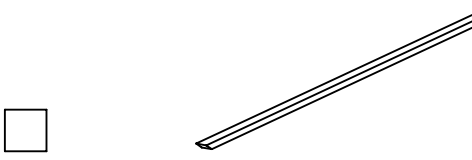



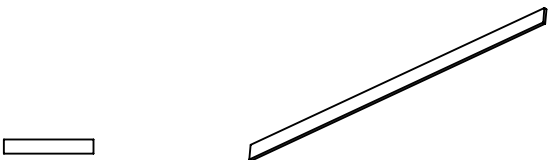
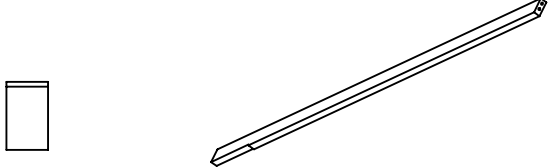
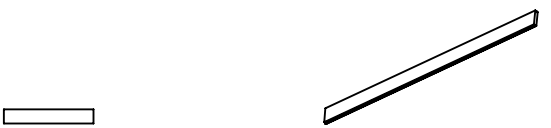

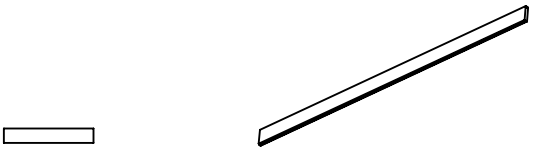

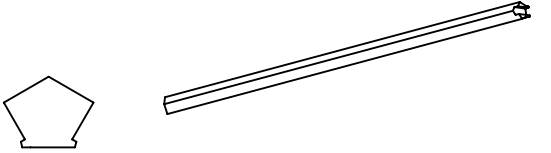

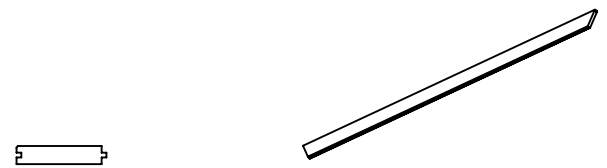
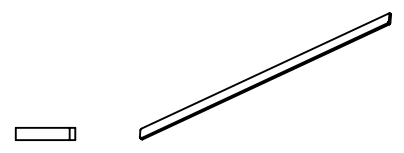
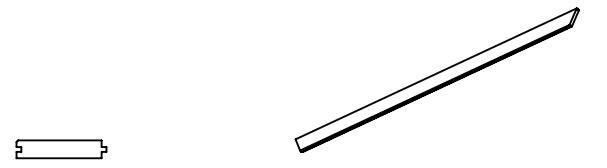

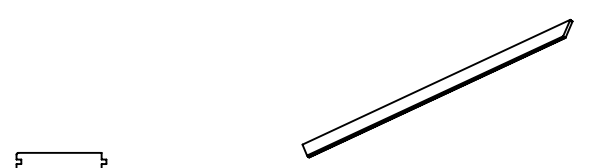

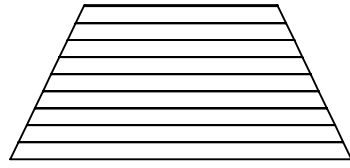

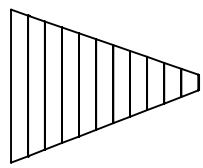

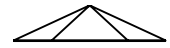

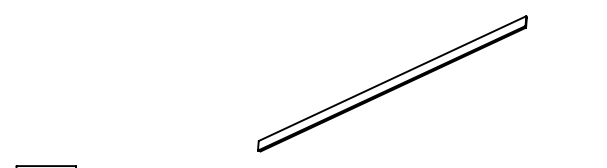

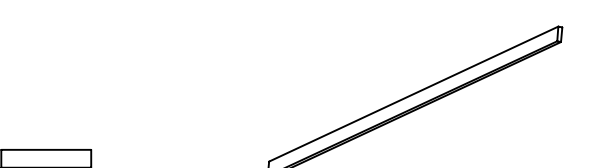

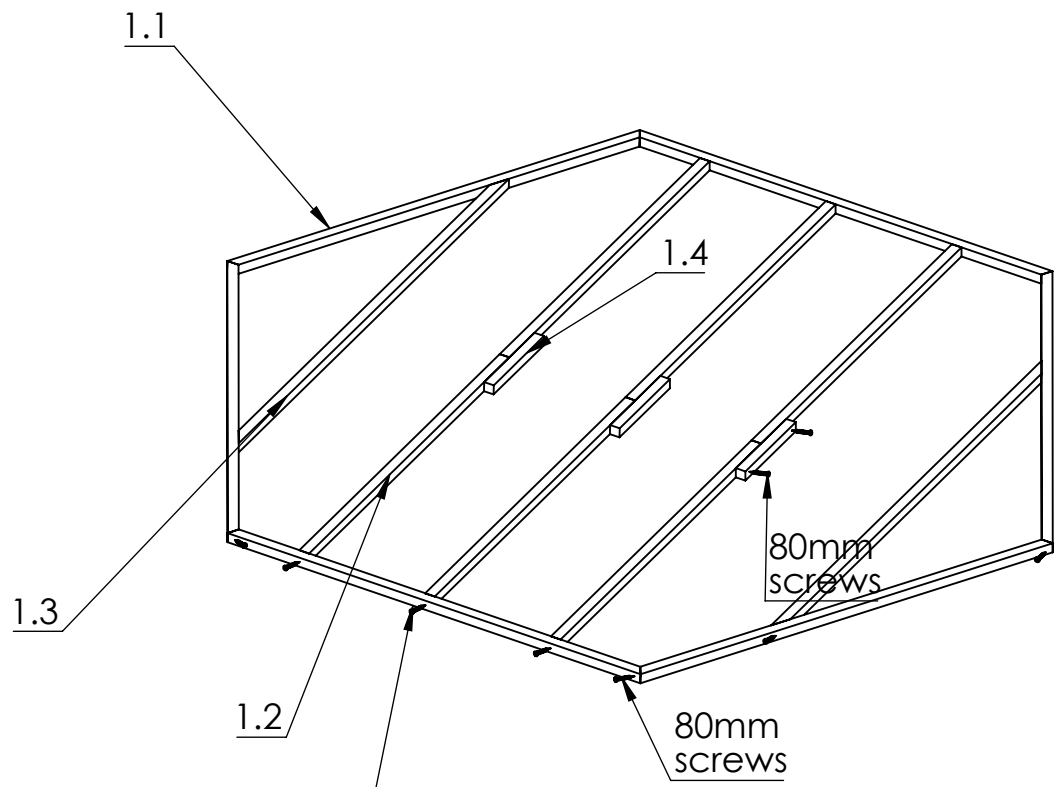


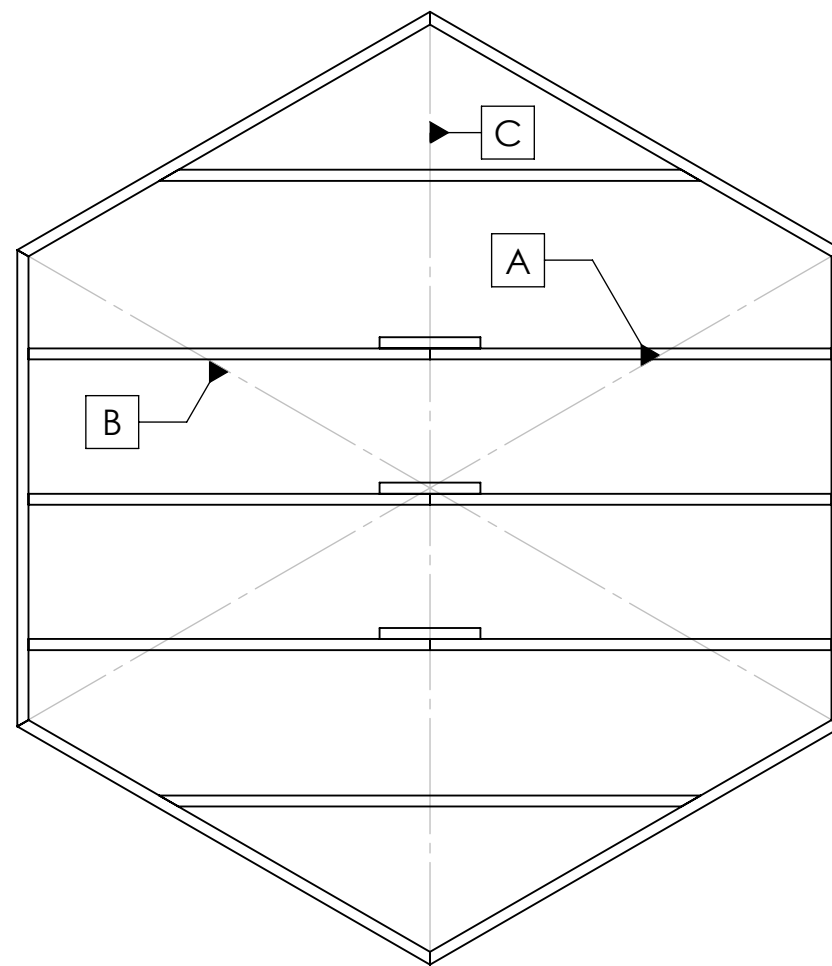
1.1		44*44*1890	6		<b>NB!( 2.2) the fence desing depends on your selection (A/B/C)</b>		
1.2		44*44*1593	6	2.2		1780*890*44	5
1.3		44*44*2148	2	3.1		1912*120*63	6
1.4		44*44*400	3	3.2		44*71*350	6
1.5		19*95*2000	32	4.1		44*71*2350	6
1.6		19*95*1500	20	4.2			1
1.7		19*95*1240	12	4.3		44*71*1043	6
2.1		75*95*2100	6	4.4		44*44*1035	6

5.1		19*95*2085		8		13*63*1780	5
5.2		19*95*2010		screws		120mm	6
5.3		19*95*1915	18	screws		80mm	34
5.4		49*872*1815	6	screws		70mm	88
5.5		49*996*1037	6	screws		60mm	30
6			1	screws		40mm	109
7.1		13*63*1912	6	screws		30mm	52
7.2		19*95*2090	6	nails		50mm	592

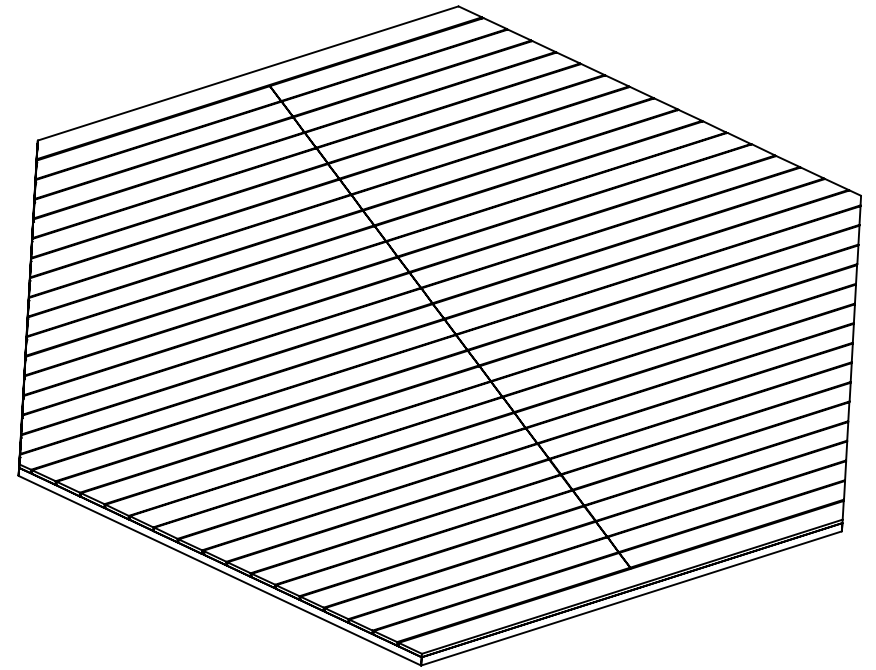
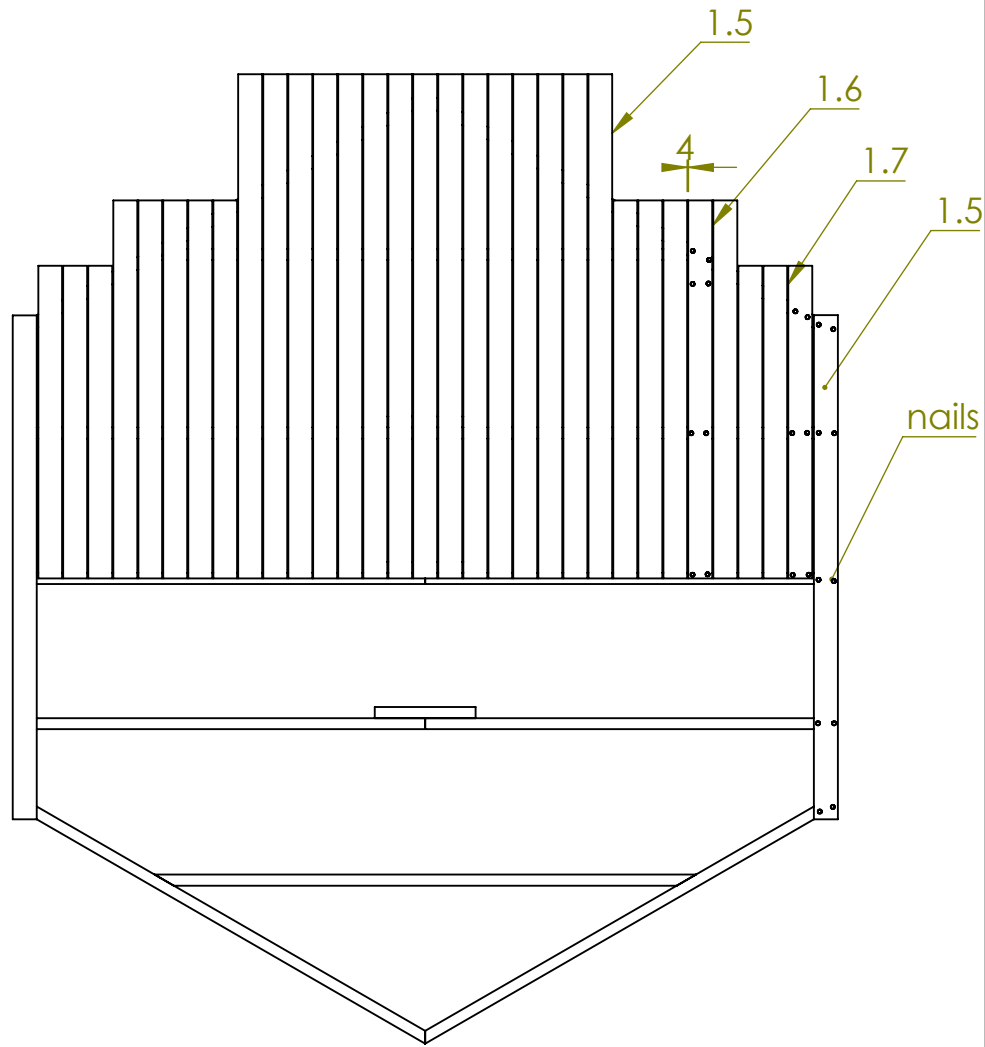
**NB!** Drill the pilot holes for the screws



1.1	6
1.2	6
1.3	2
1.4	3
80mm screws	22



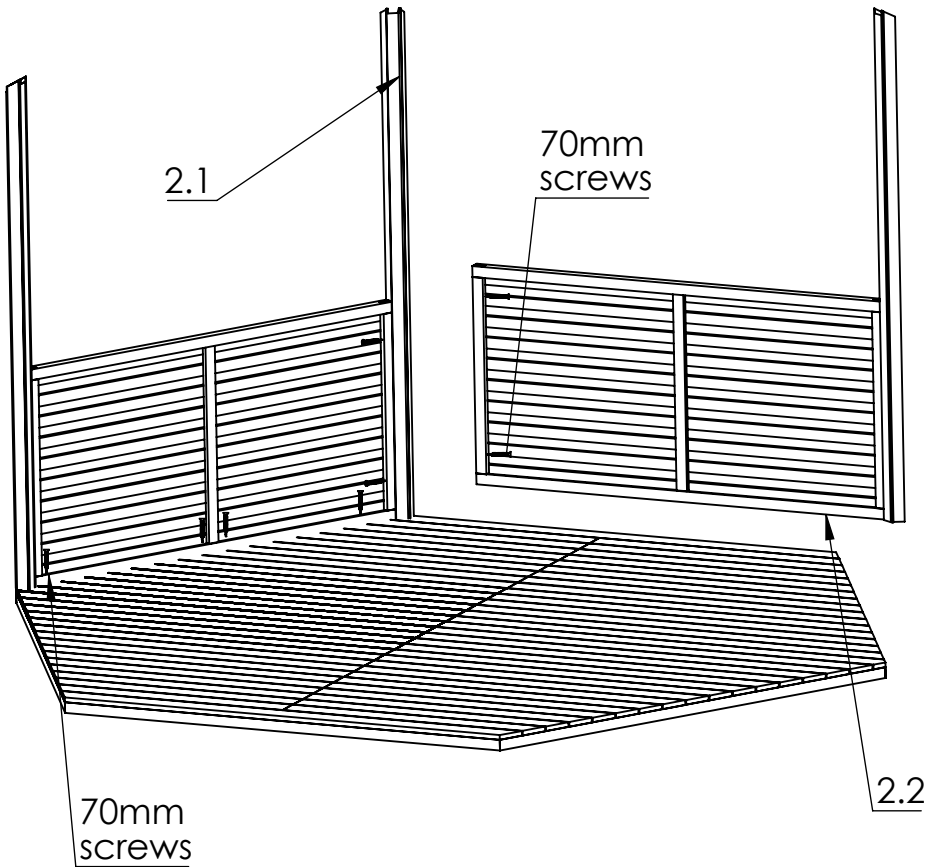
$A=B=C$



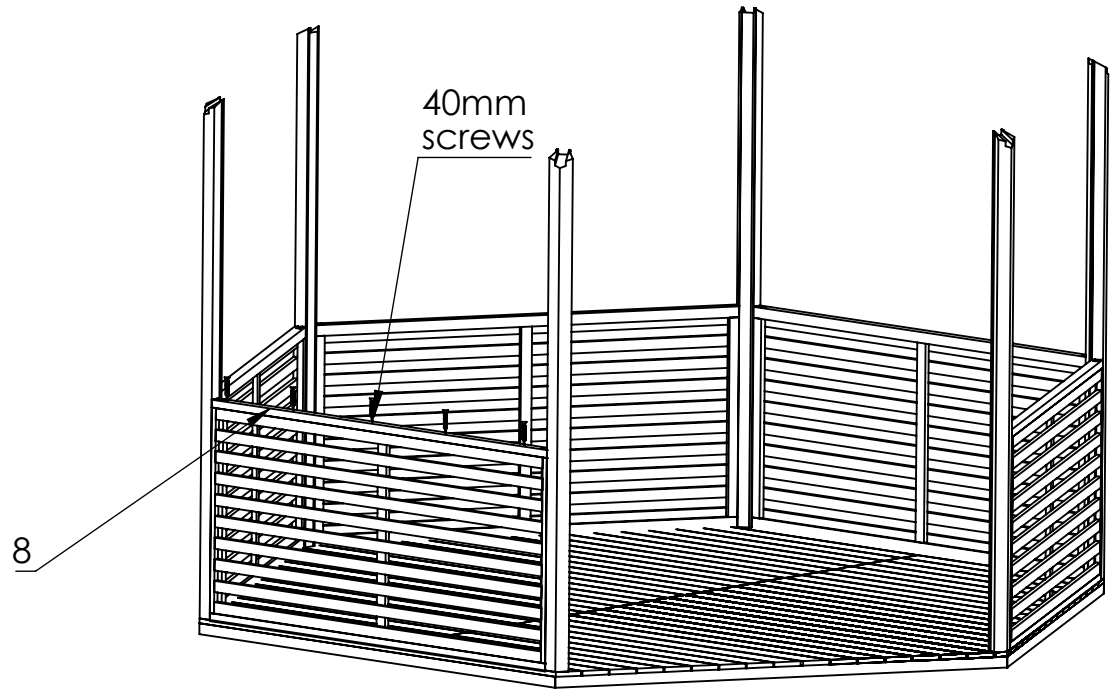
Repeat the same steps  
on the other side

1.5	32
1.6	20
1.7	12
nails	484

**NB!** Drill the pilot holes for the screws

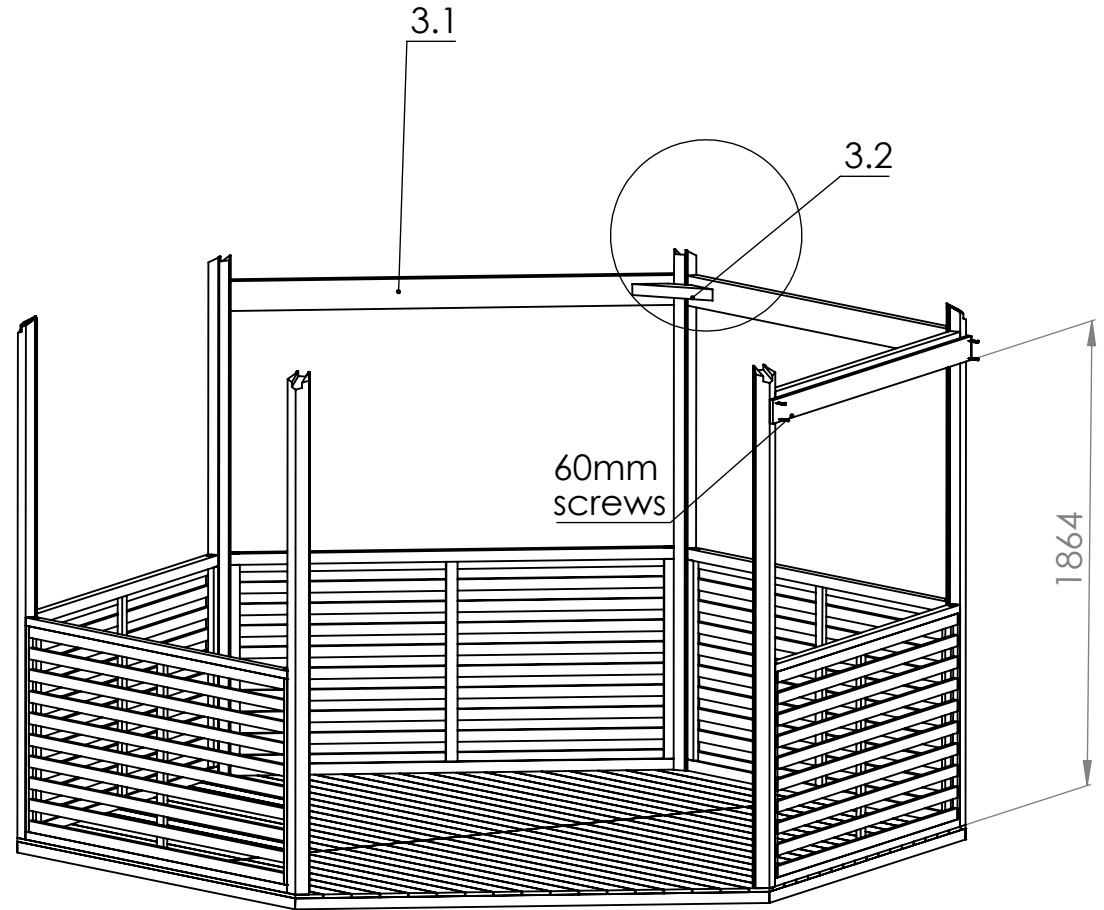
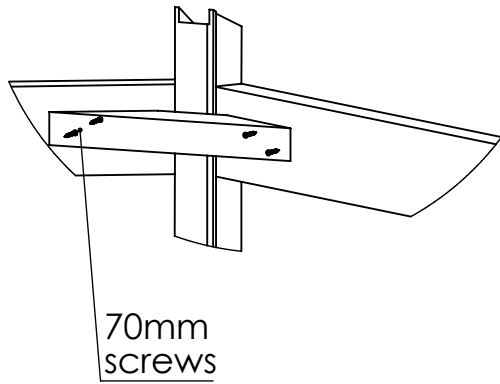


**NB!** Panel design depends on your selection



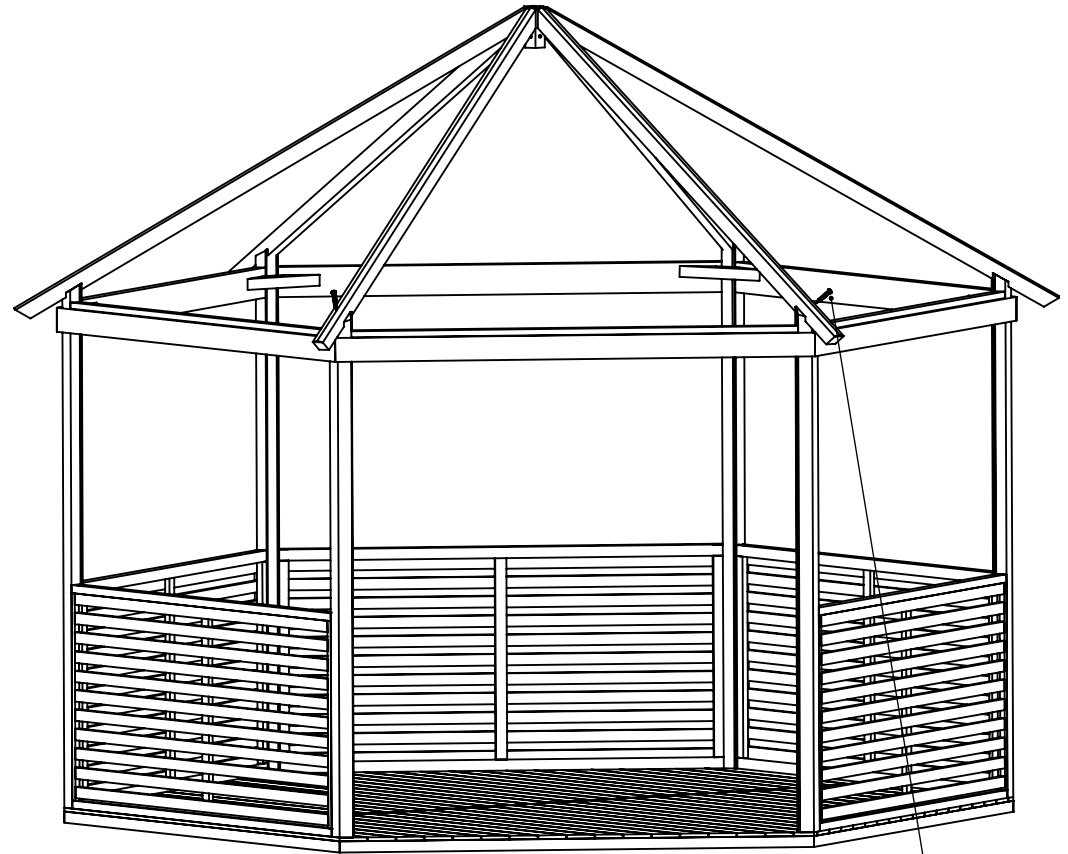
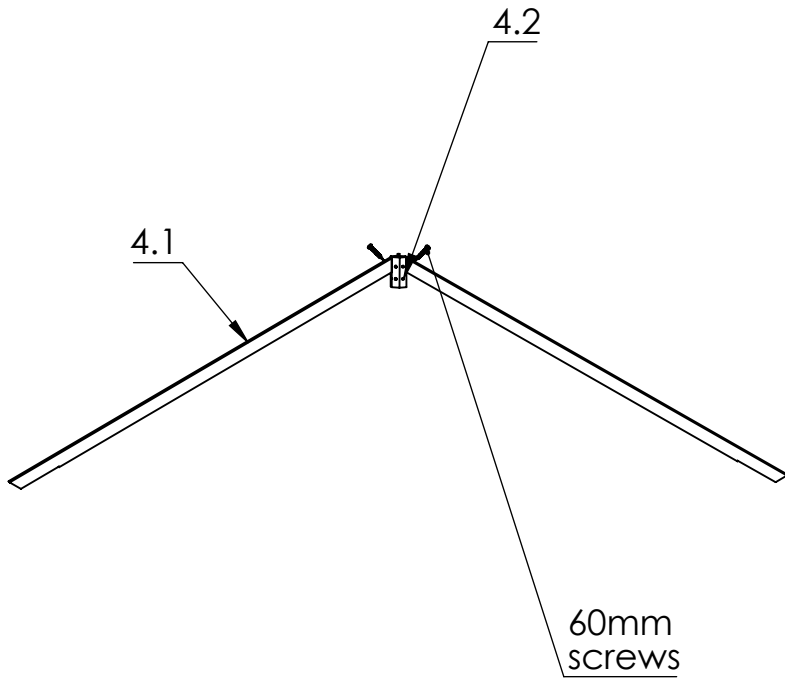
2.1	6
2.2	5
70mm screws	40
8	5
40mm screws	25

**NB!** Drill the pilot holes for the screws



3.1	6
60mm screws	24
3.2	6
70mm screws	24

**NB!** Drill the pilot holes for the screws

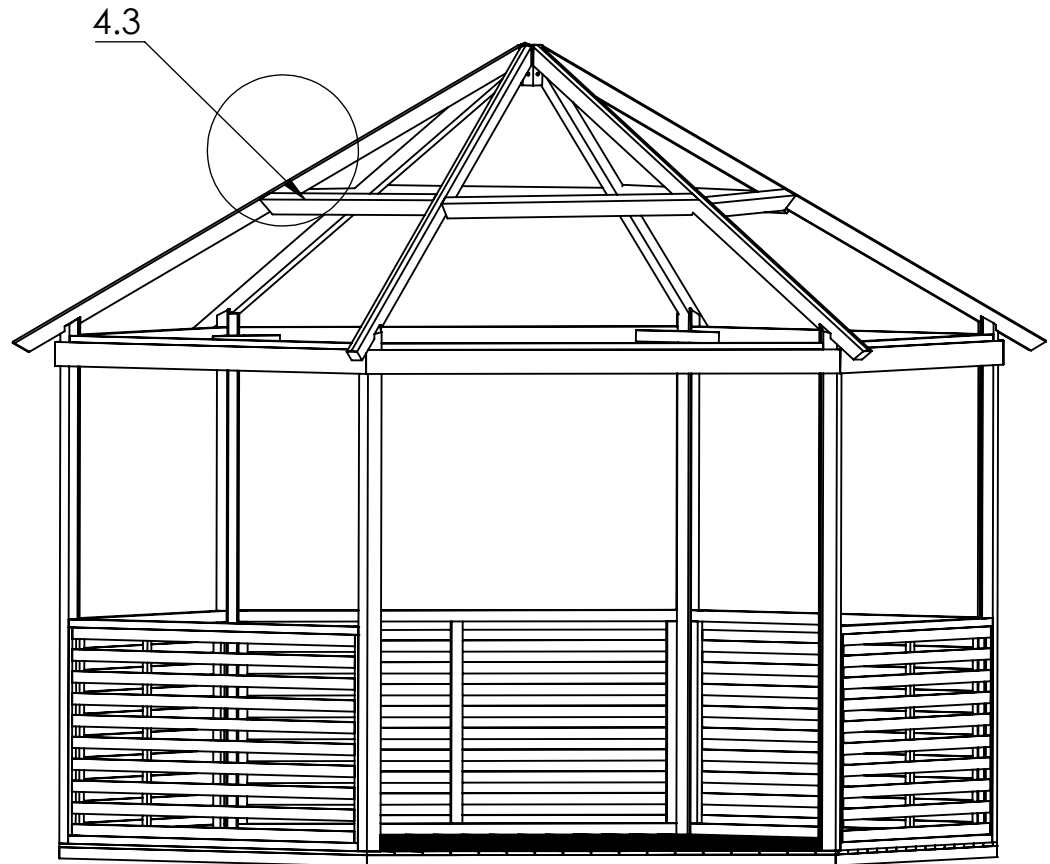
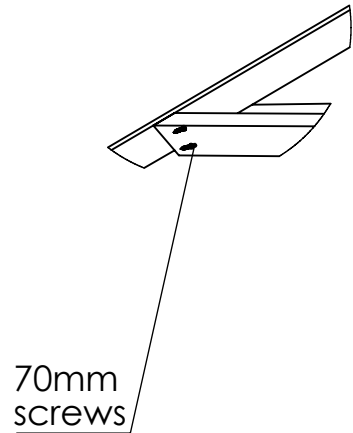


4.1	6
4.2	1
60mm screws	6
120mm screws	6

120mm screws



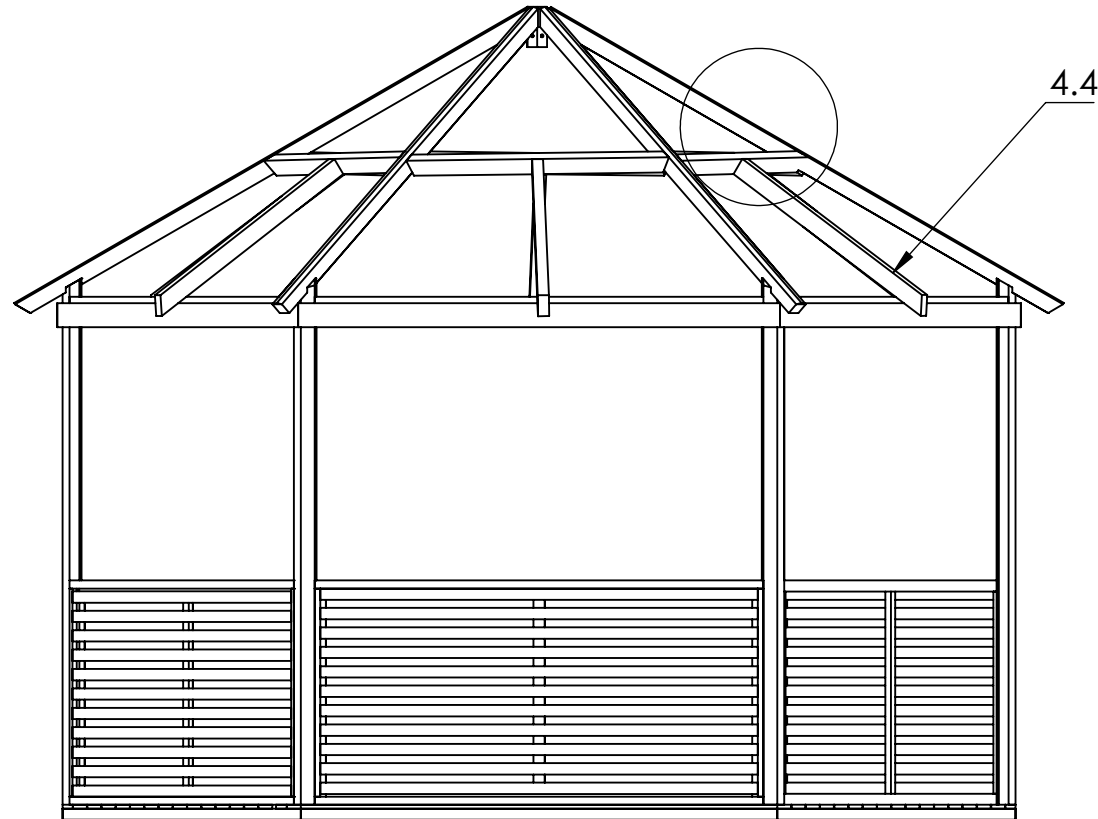
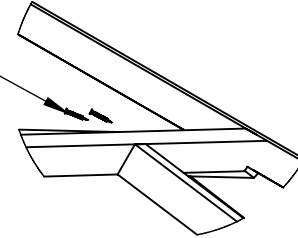
**NB!** Drill the pilot holes for the screws



4.3	6
70mm screws	24

**NB!** Drill the pilot holes for the screws

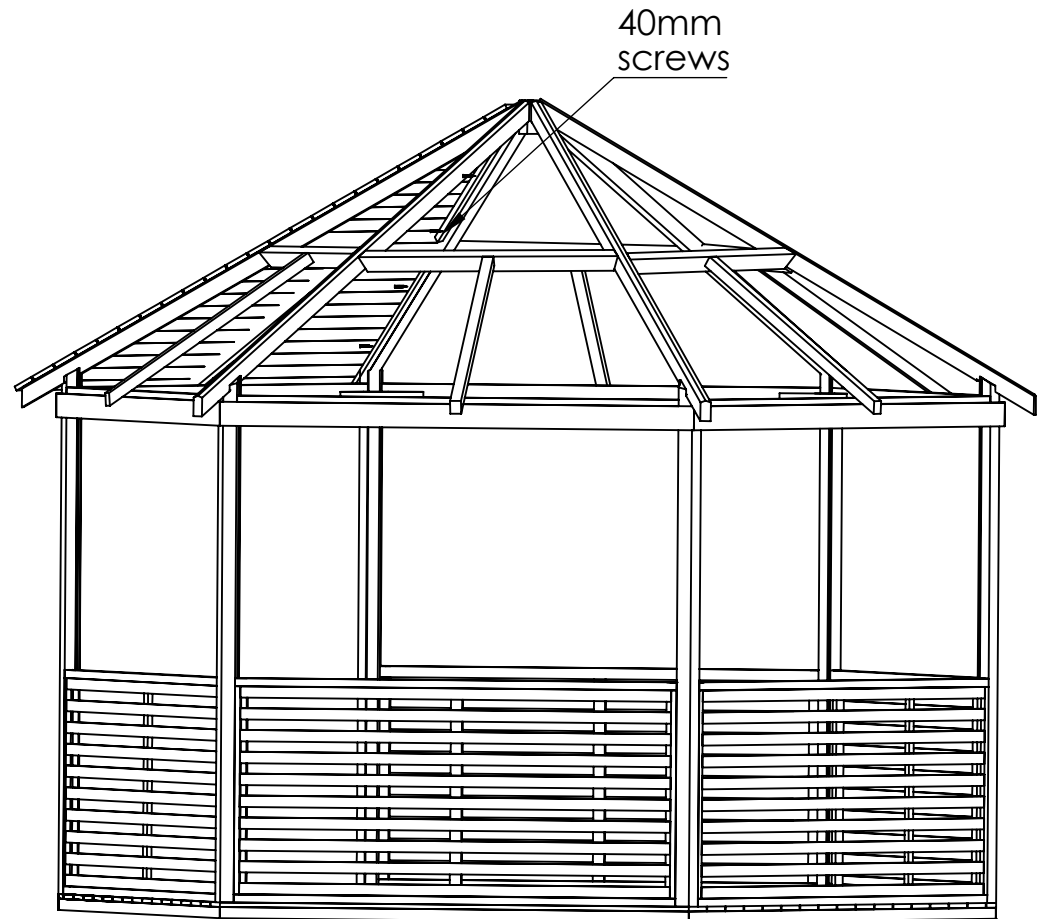
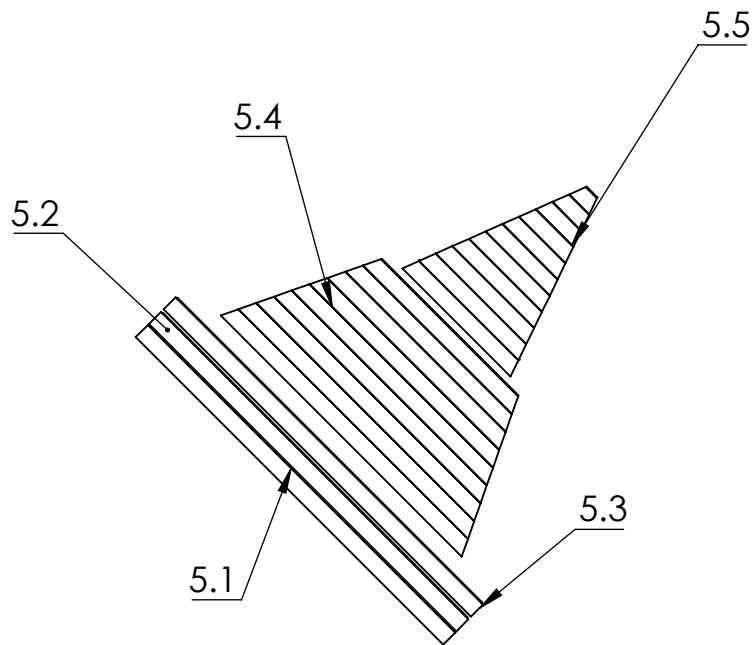
80mm screws



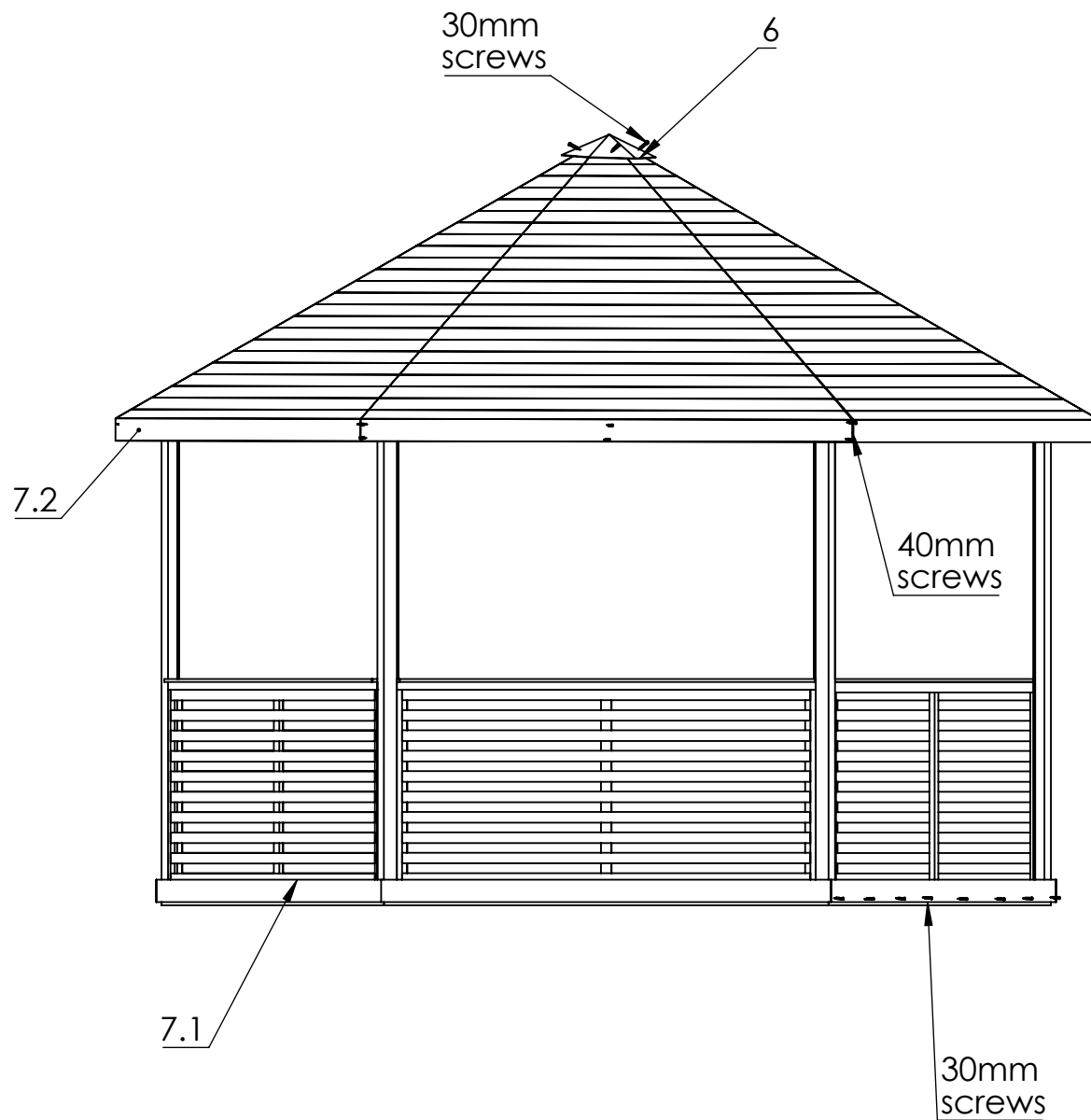
4.4	6
80mm screws	12

**NB!** Drill the pilot holes for the screws

5.1	6
5.2	6
5.3	6
nails	108
5.4	6
5.5	6
40mm screws	48



**NB!** Drill the pilot holes for the screws



6	1
7.1	6
30mm screws	52
7.2	6
40mm screws	36