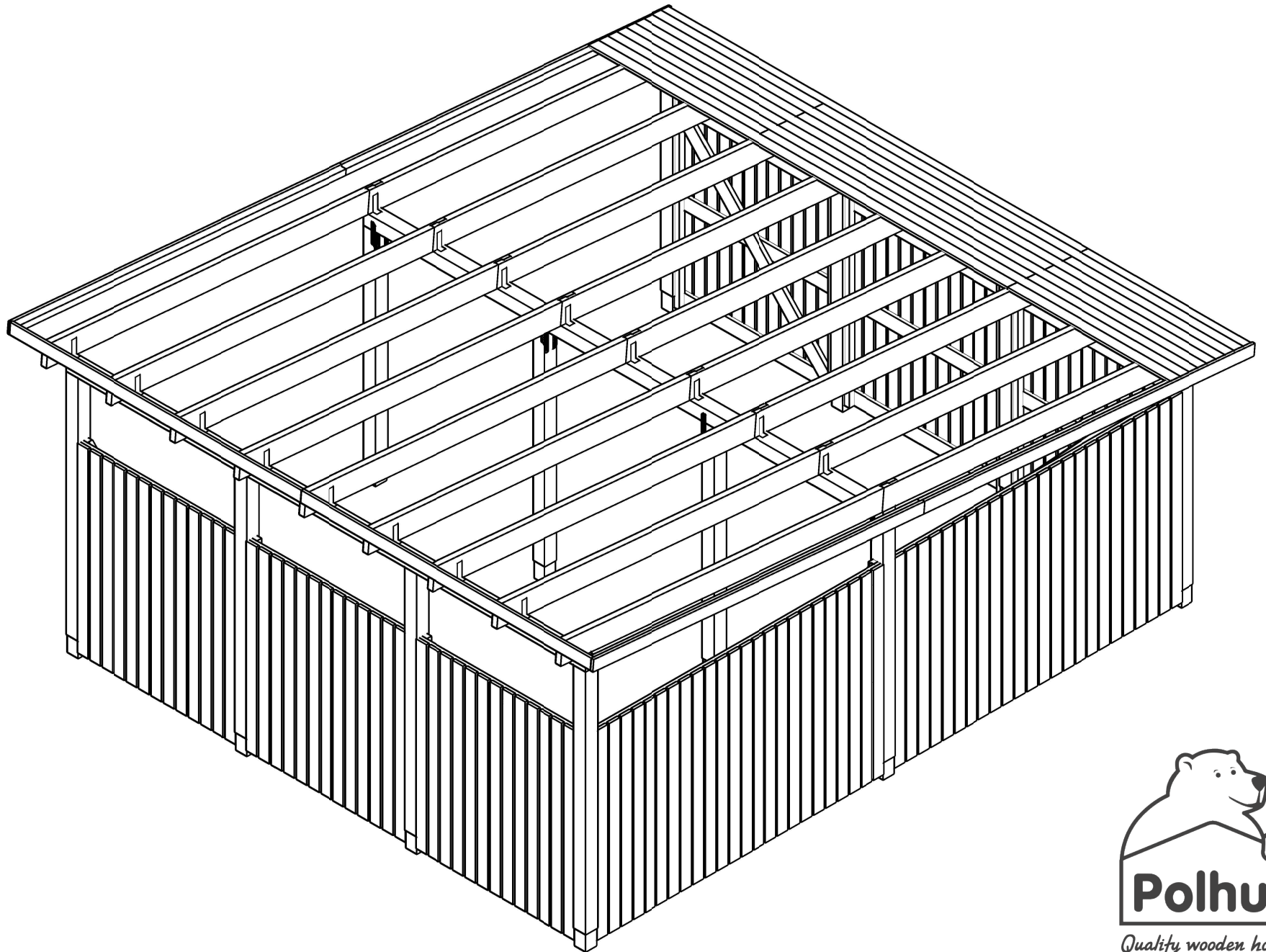
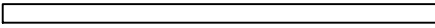
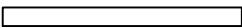
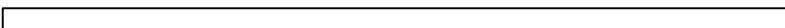
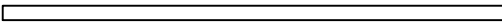
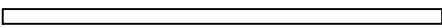
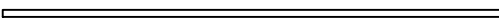
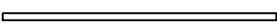
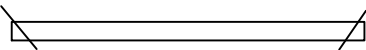
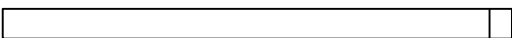
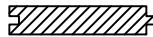


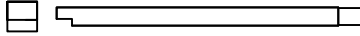
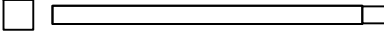
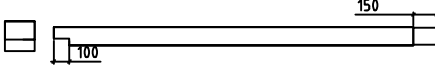
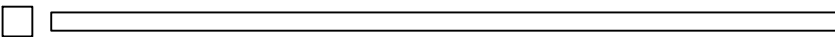







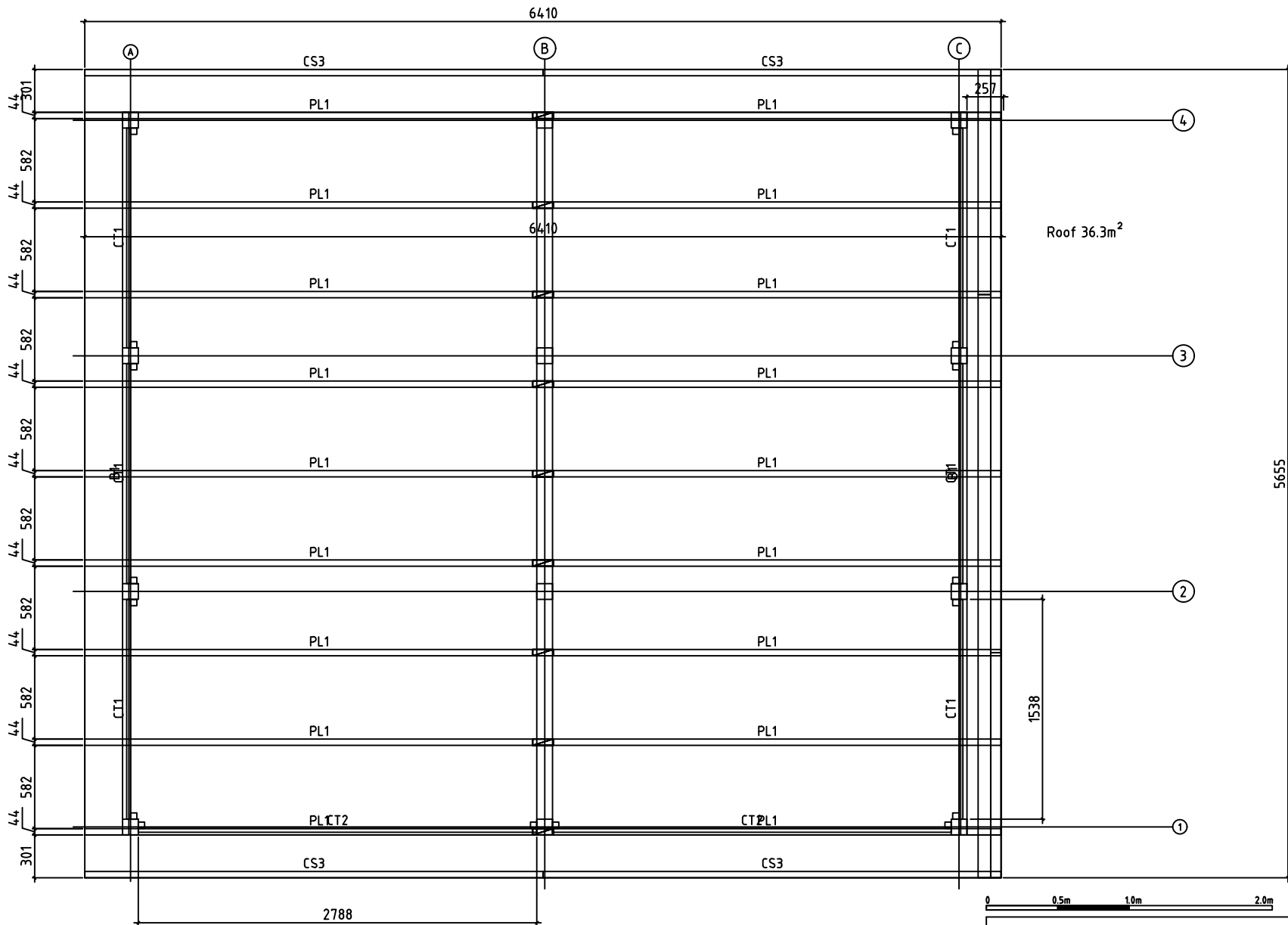


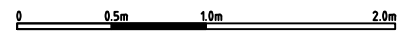
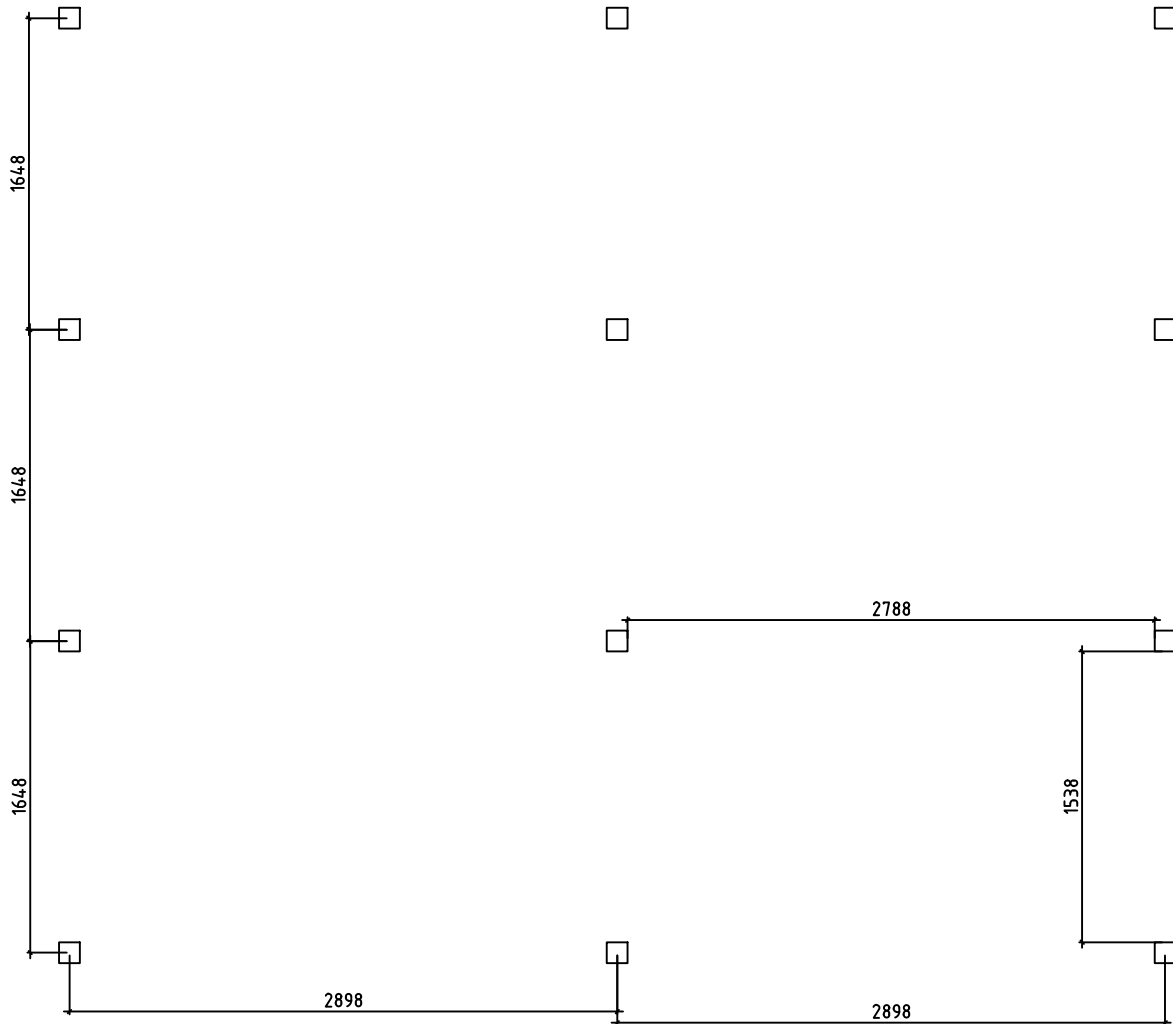
Carport Klas



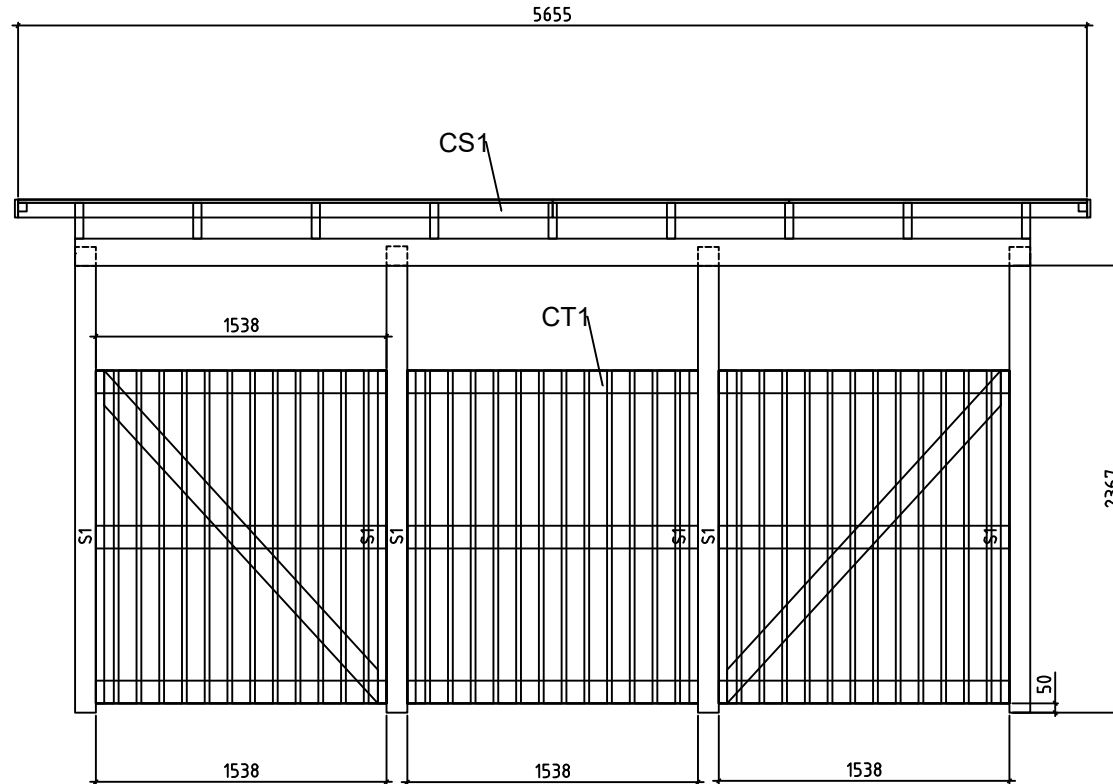
Pos	Specification-Spezifikation-Specificatie-Nomenclature-Elementi-Especificacion Carport Klas	Qty	Profile (mm)	Lenght (mm)
CT2	COLLAR TIE-KEHLBALKEN-TREKBALK-FAUX ENTRAIT-CATENA-TIRANTE 	6	28x120	2788
CT1	COLLAR TIE-KEHLBALKEN-TREKBALK-FAUX ENTRAIT-CATENA-TIRANTE 	18	28x120	1538
B1	BEAM-HOLZBALKEN-BALKEN-POUTRE-TRAVE-VIGA 	2	44x144	5054
CS2	CORNICE SUPPORT-TRAGELEISTE-STEUNEN BAR-SUPPORT-SUPPORTO-SOPORTE 	4	95x18	3225
CS1	CORNICE SUPPORT-TRAGELEISTE-STEUNEN BAR-SUPPORT-SUPPORTO-SOPORTE 	2	95x18	2828
CS3	CORNICE SUPPORT-TRAGELEISTE-STEUNEN BAR-SUPPORT-SUPPORTO-SOPORTE 	4	45x45	3205
S1	SUPPORT-STÜTZEN-STEUN-SUPPORT-SUPPORTO-SOPORTE 	16	45x45	1760
DG1	DIAGONAL-DIAGONAAL-DIAGONALE-DIAGONAL 	8	28x120	2270
PL1	PURLIN-DAKBALK-DACHPFETTE-PANNE-ARCARECCIO-CORREA 	18	44x190	3277
R-1	Roof board-Dachbrett-Dakplank-Volige-Tavola tetto-Tabla de tejado 	73+2 57+2	88x18 114x18	4080
R-2	Roof board-Dachbrett-Dakplank-Volige-Tavola tetto-Tabla de tejado 	73 57	88x18 114x18	1575
Sb	Side board 	126+3	95x18	1760
	+Post 11x11 	4	110x110	1964
	+Post 11x11 	4	110x110	2145
	+Post 11x11 	4	110x110	2464
	+Post 11x11 	1	110x110	5054
	Angle bracket 140x40-Winkelhalterungen-Hoekverbinder-Équerre d'angle-Staffa angolare-Soporte angular 	34	140x40	
	Angle bracket 250x32-Winkelhalterungen-Hoekverbinder-Équerre d'angle-Staffa angolare-Soporte angular 	4+4	250x32	
	Nail 60mm-Nagel-Spijker-Clou-Chiodo-Clavo 	1450	1.8x60	
S4x40	Screw 4x40-Schraube-Schroef-Vis-Vite-Tornillo 	1300	4x40	
S5x60	Screw 5x60-Schraube-Schroef-Vis-Vite-Tornillo 	80	5x60	
S5x70	Screw 5x70-Schraube-Schroef-Vis-Vite-Tornillo 	100	5x70	
S5x80	Screw 5x80-Schraube-Schroef-Vis-Vite-Tornillo 	120	5x80	
Model	Carport Klas	Material	Page	1/1



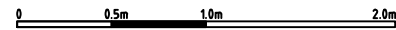
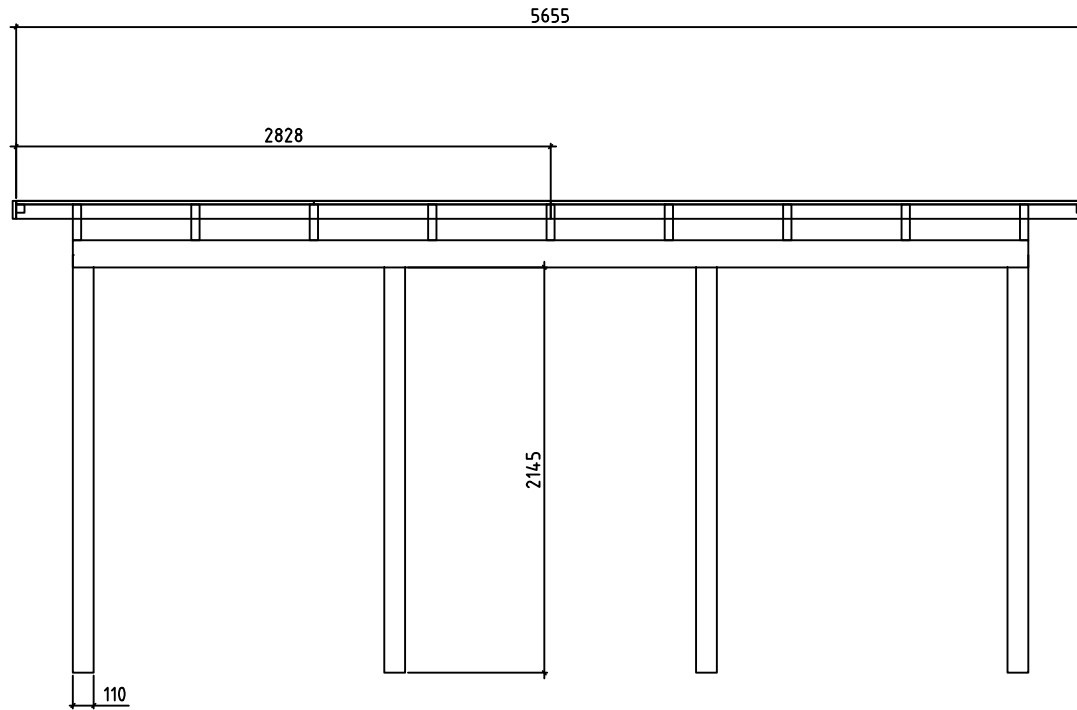
Model	Carport Klas	Page
Drawing		Scale 1:40
Material		Date 23.09.2024
File	carportKlas.dwg	Drawn by T.T



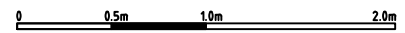
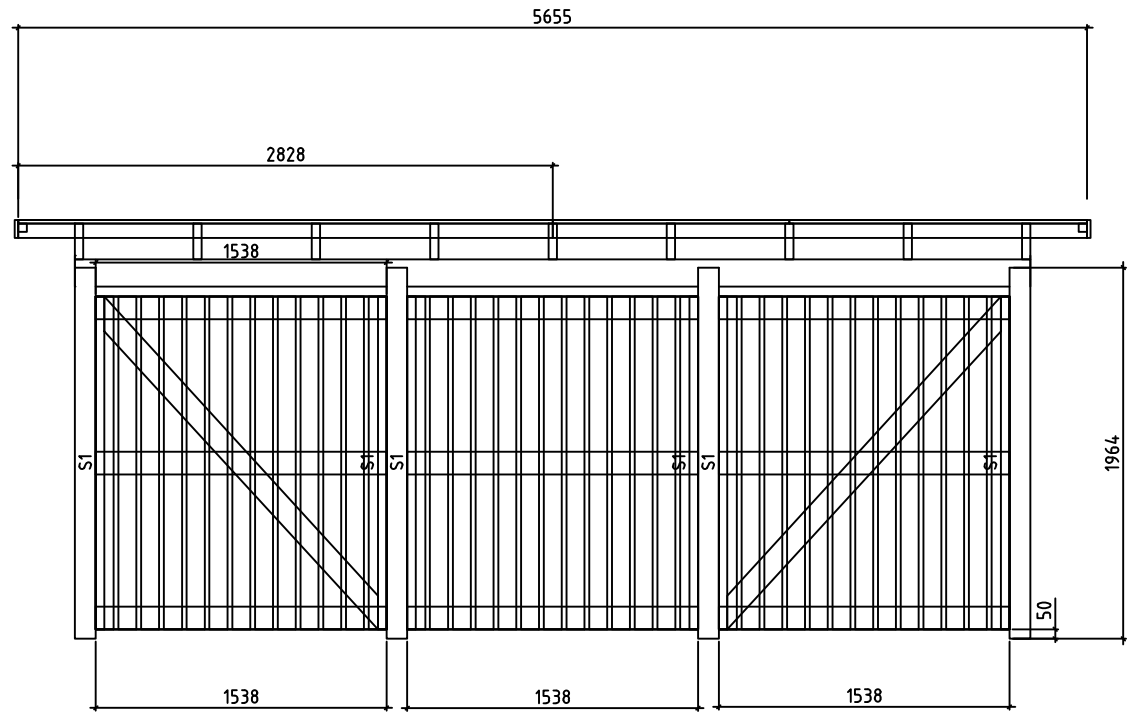
Model	Carport Klas	Page
Drawing		Scale 1:40
Material		Date 23.09.2024
File	carportKlas.dwg	Drawn by T.T



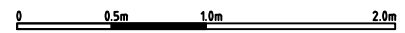
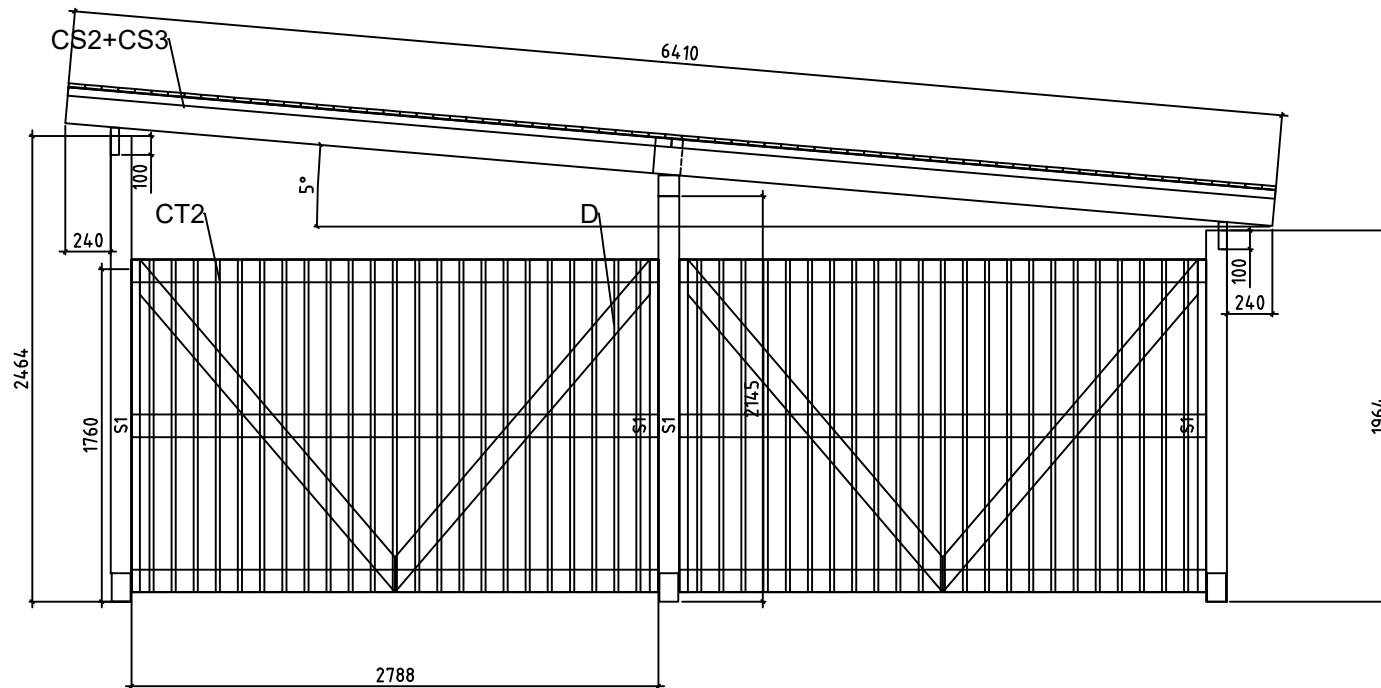
Model	Carport Klas	Page	7
Drawing	WALL A	Scale	1:40
Material		Date	23.09.2024
File	carportKlas.dwg	Drawn by	T.T



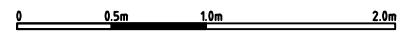
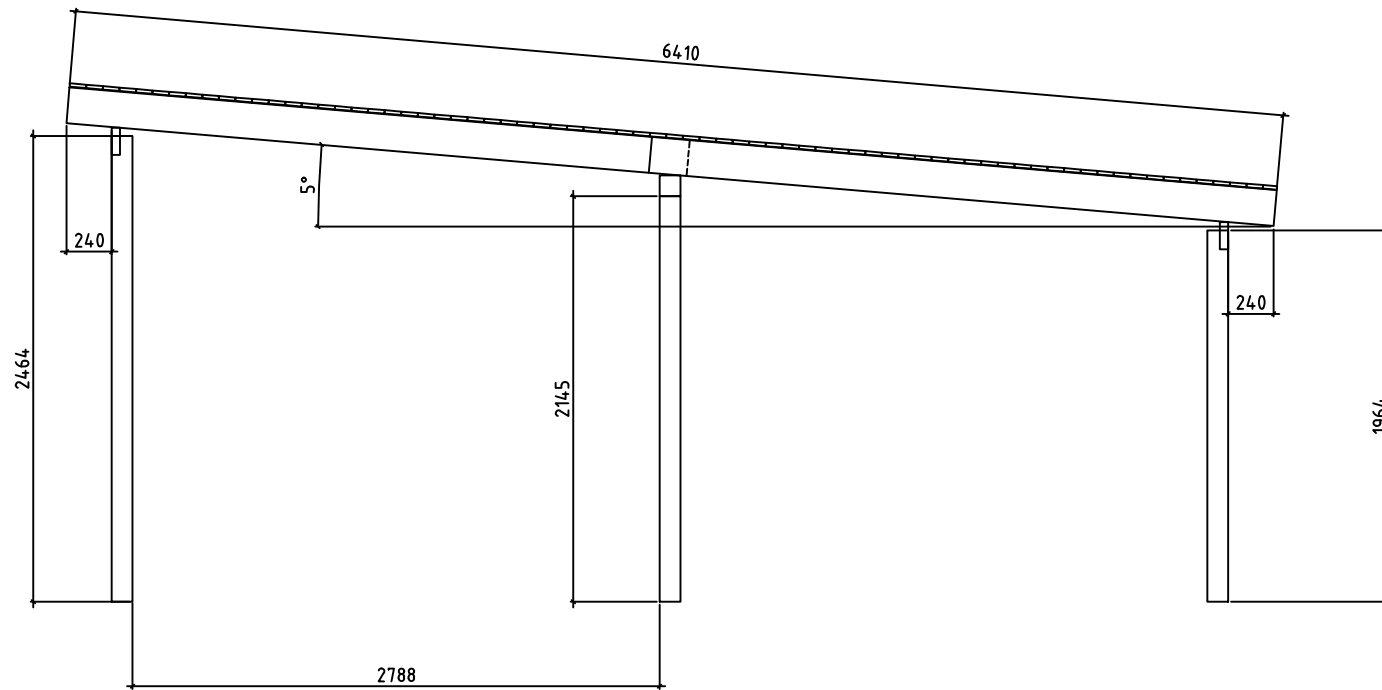
Model	Carport Klas	Page	8
Drawing	WALL B	Scale	1:40
Material		Date	23.09.2024
File	carportKlas.dwg	Drawn by	T.T



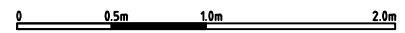
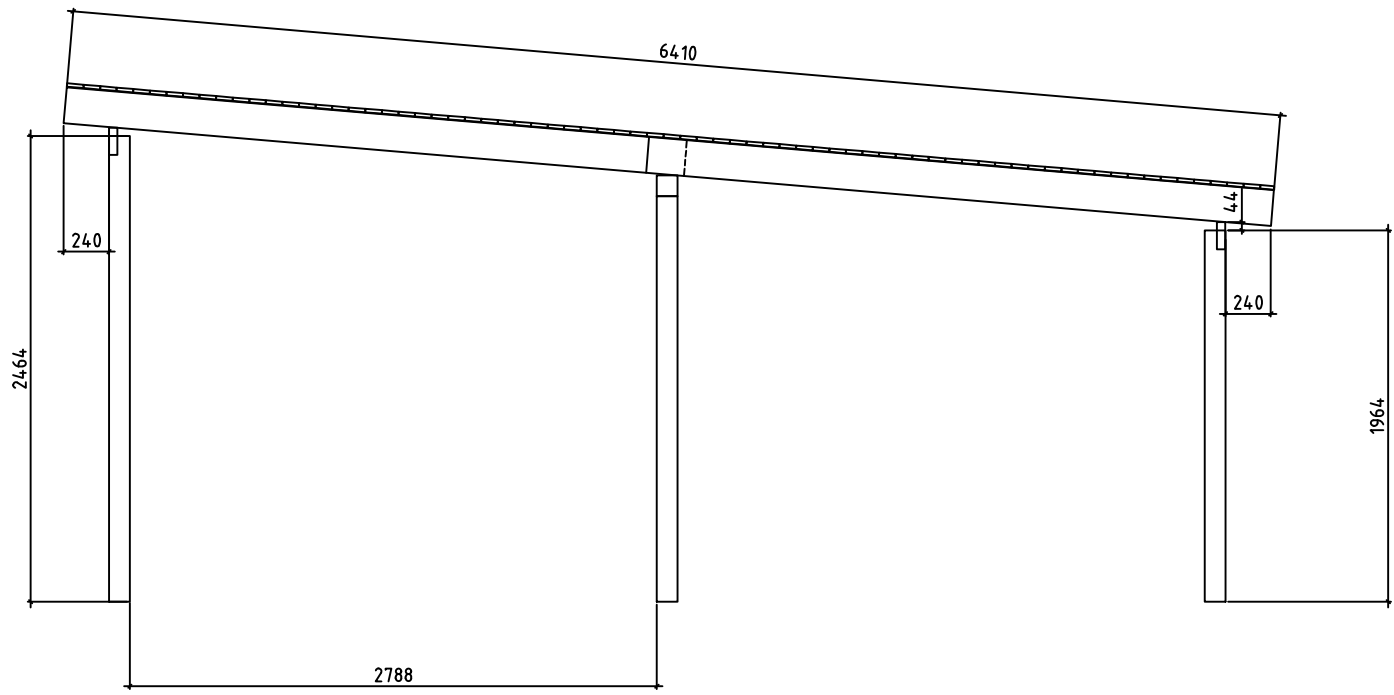
Model	Carport Klas	Page	9
Drawing	WALL C	Scale	1:40
Material		Date	23.09.2024
File	carportKlas.dwg	Drawn by	T.T



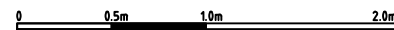
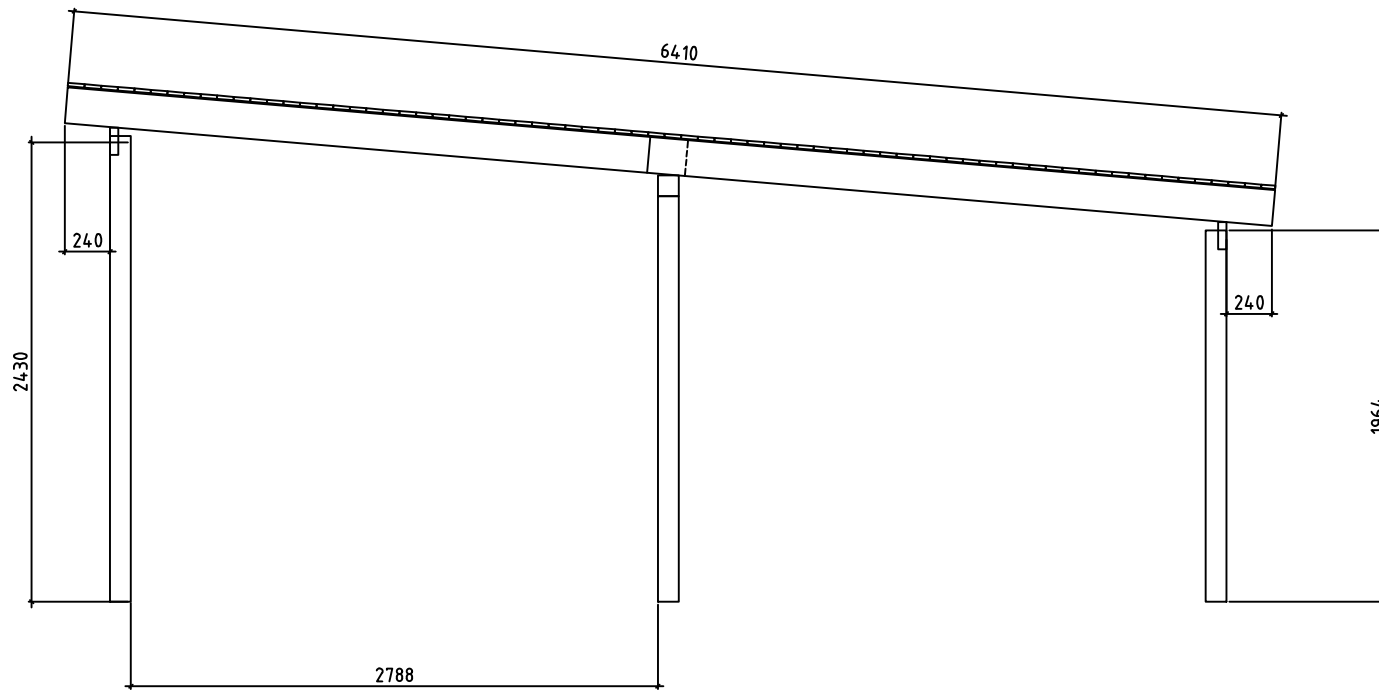
Model	Carport Klas	Page	10
Drawing	WALL 1	Scale	1:40
Material		Date	23.09.2024
File	carportKlas.dwg	Drawn by	T.T



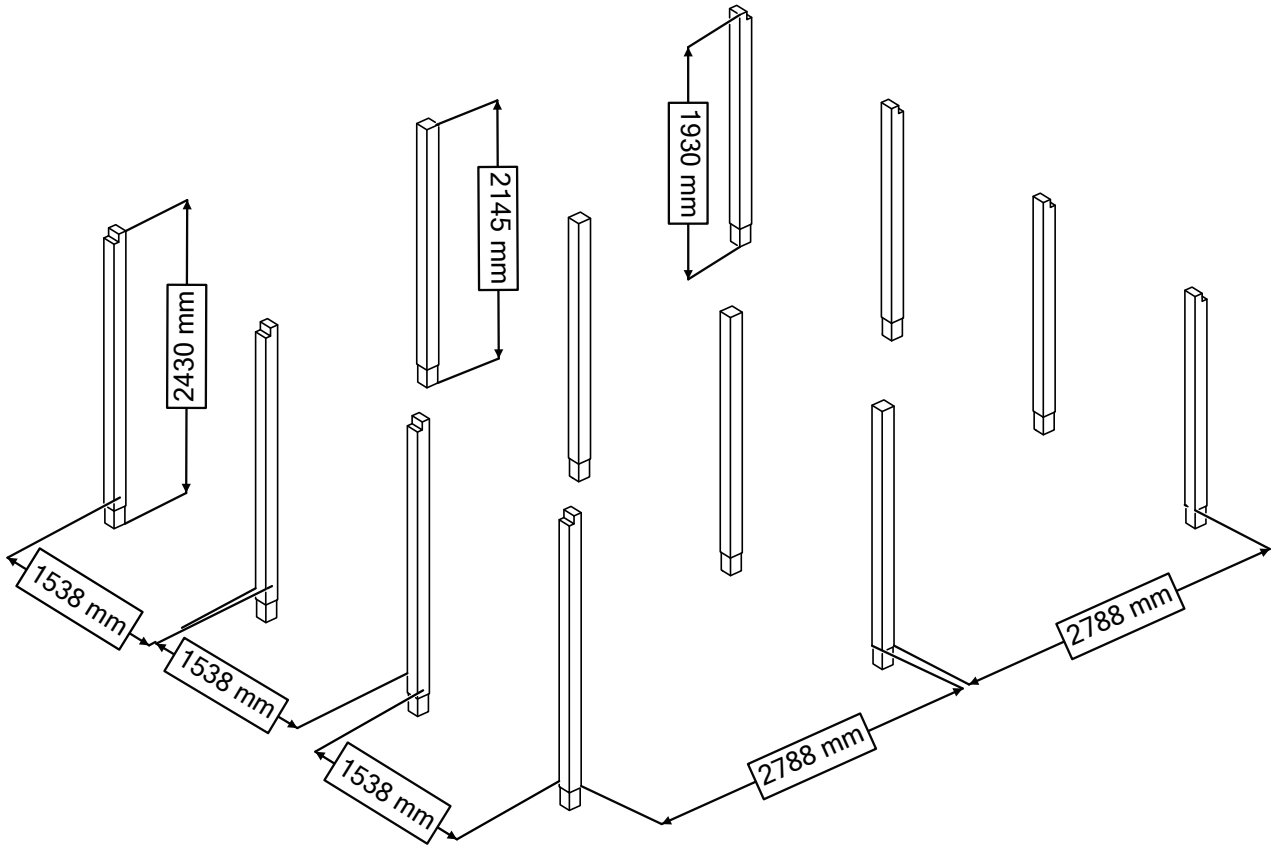
Model	Carport Klas	Page	11
Drawing	WALL 2	Scale	1:40
Material		Date	23.09.2024
File	carportKlas.dwg	Drawn by	T.T



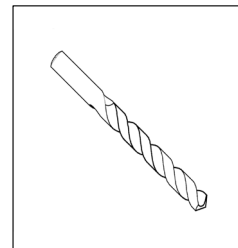
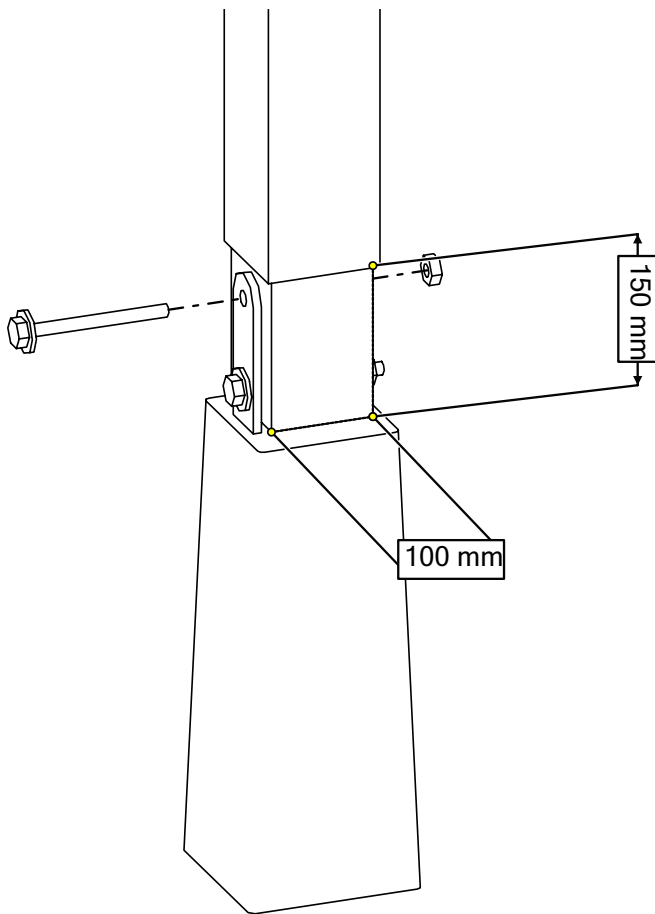
Model	Carport Klas	Page	12
Drawing	WALL 3	Scale	1:40
Material		Date	23.09.2024
File	carportKlas.dwg	Drawn by	T.T

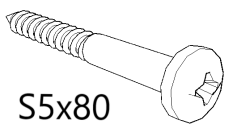
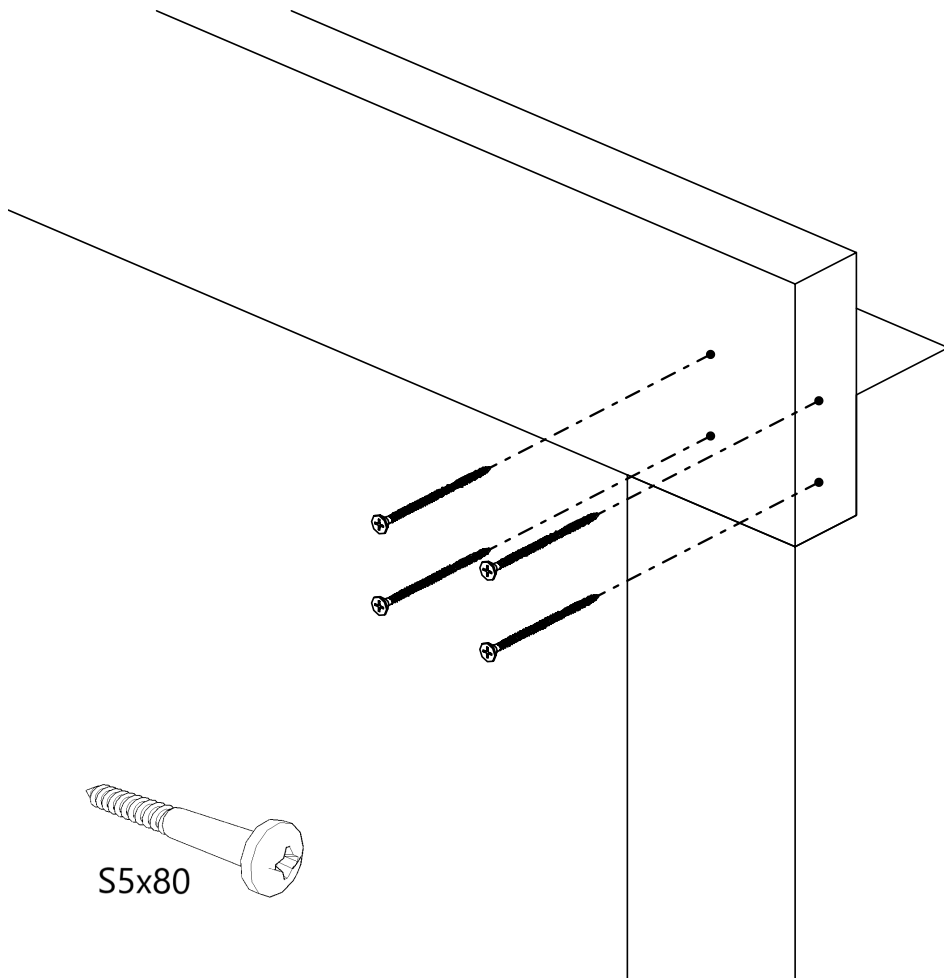
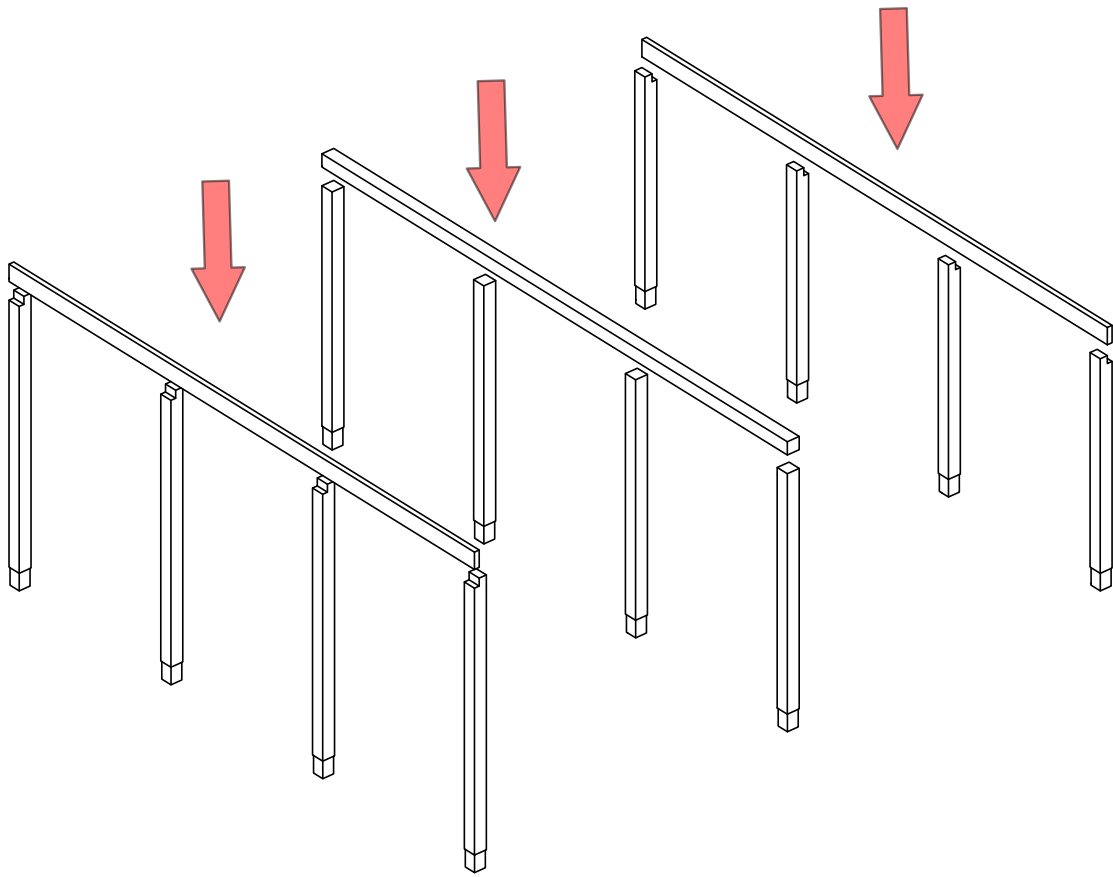


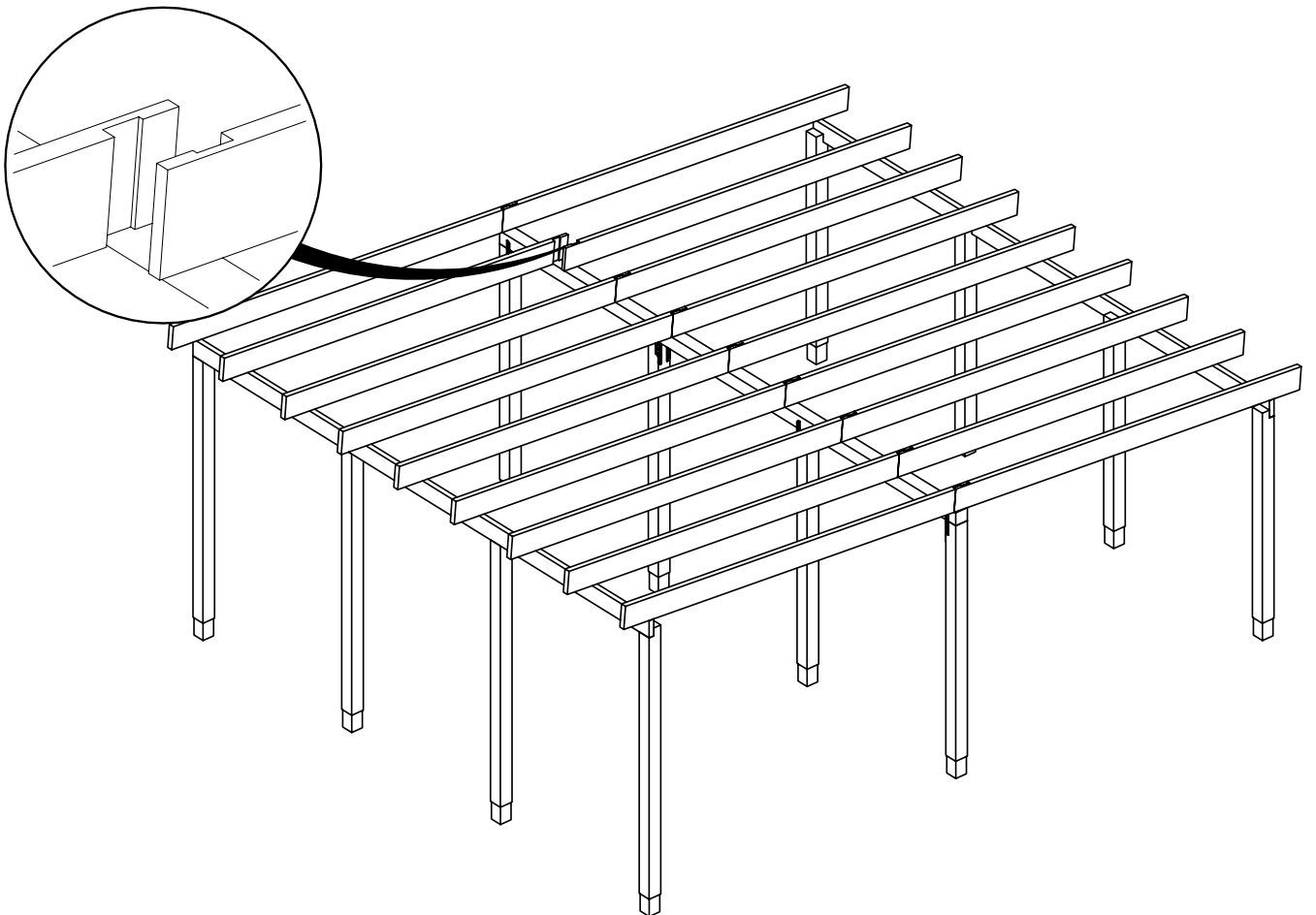
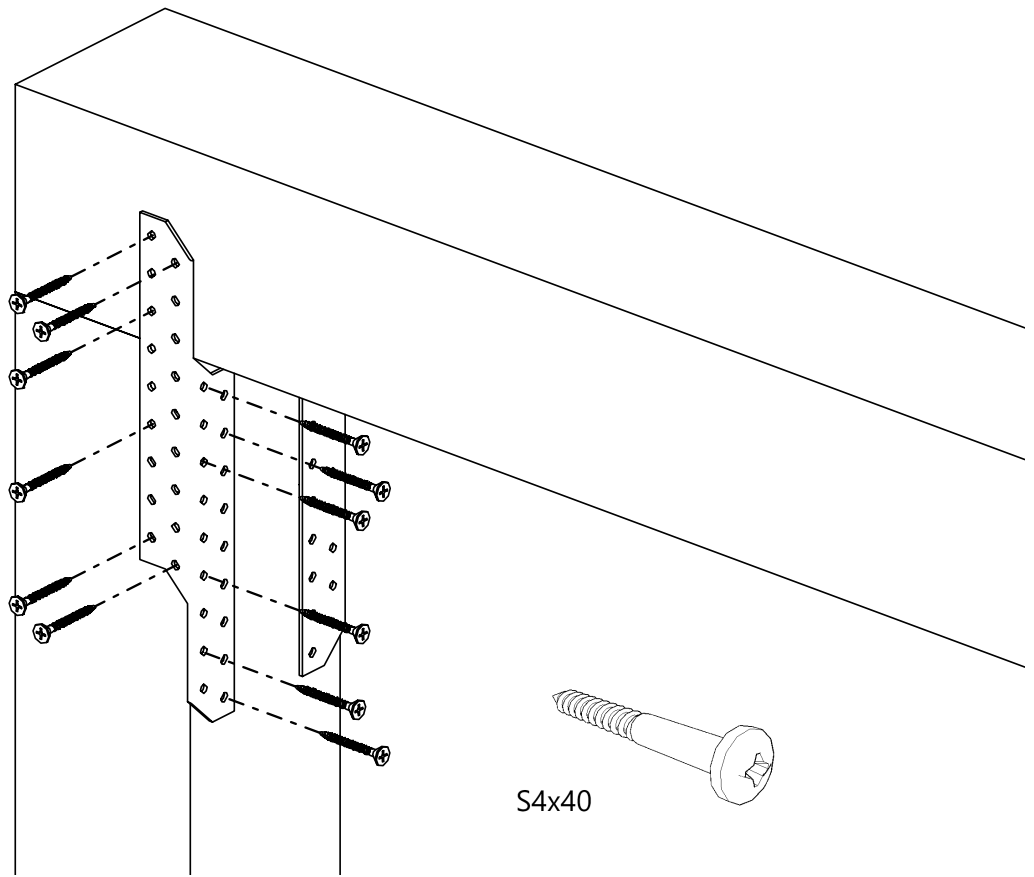
Model	Carport Klas	Page	13
Drawing	WALL 4	Scale	1:40
Material		Date	23.09.2024
File	carportKlas.dwg	Drawn by	T.T

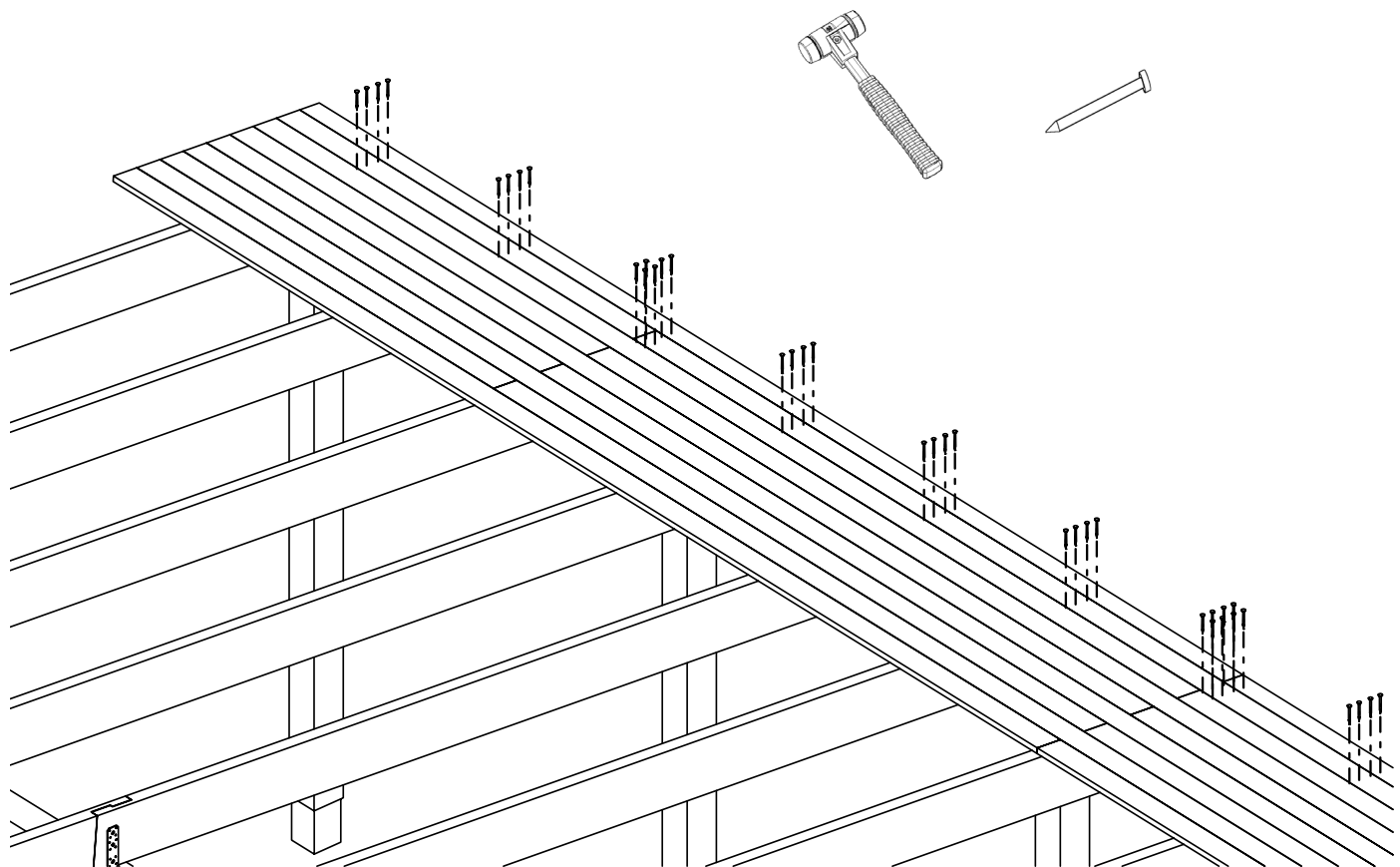
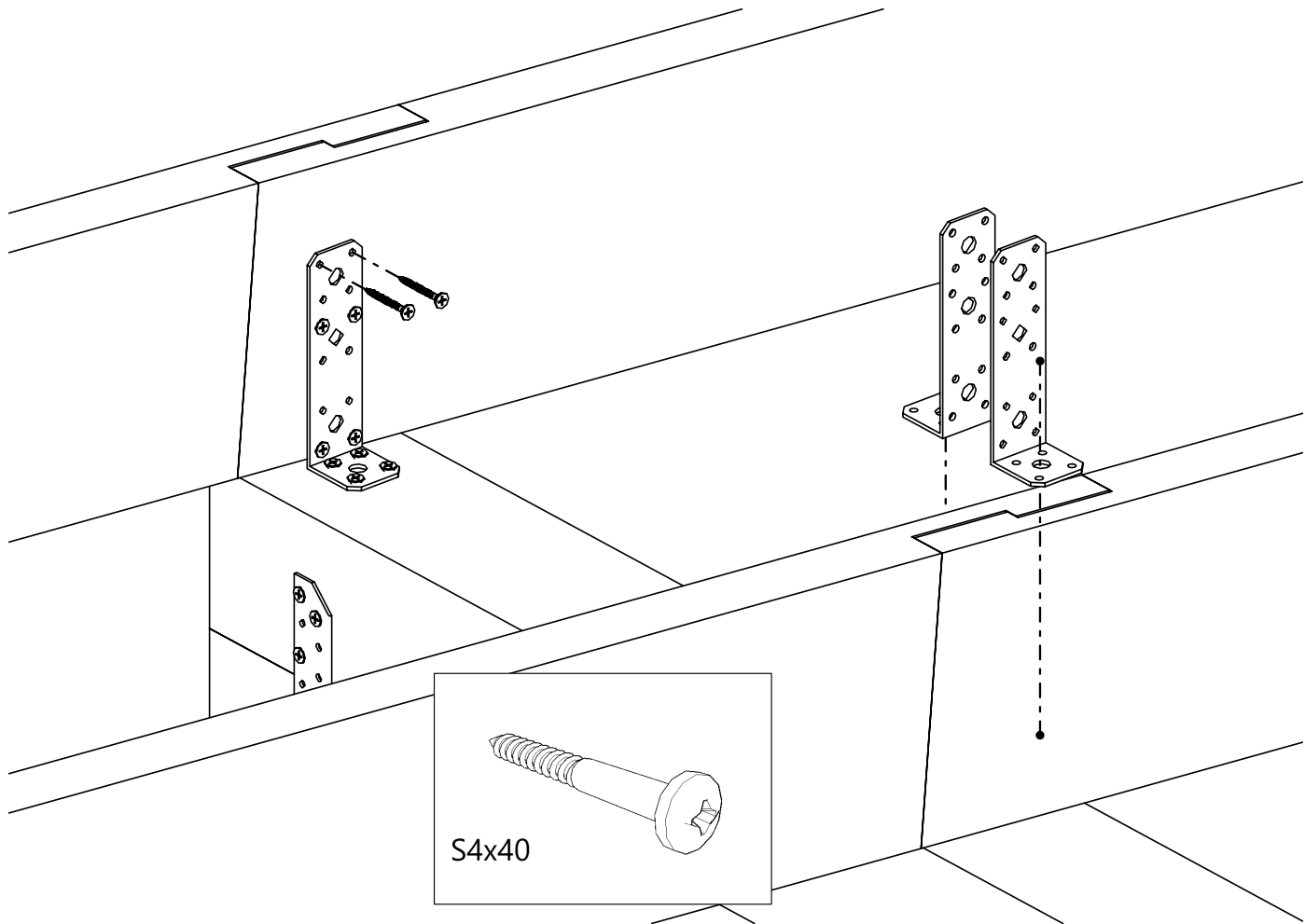


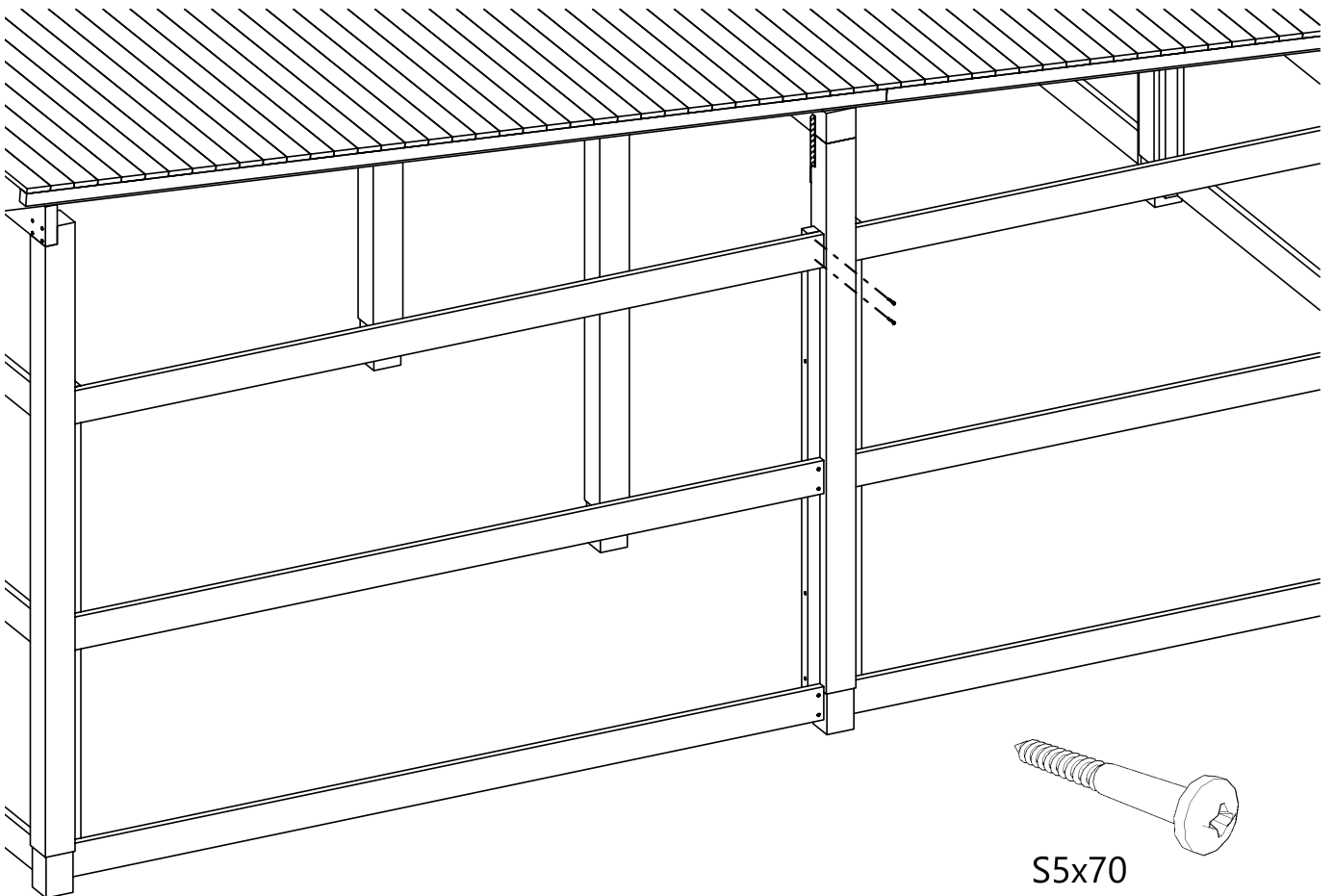
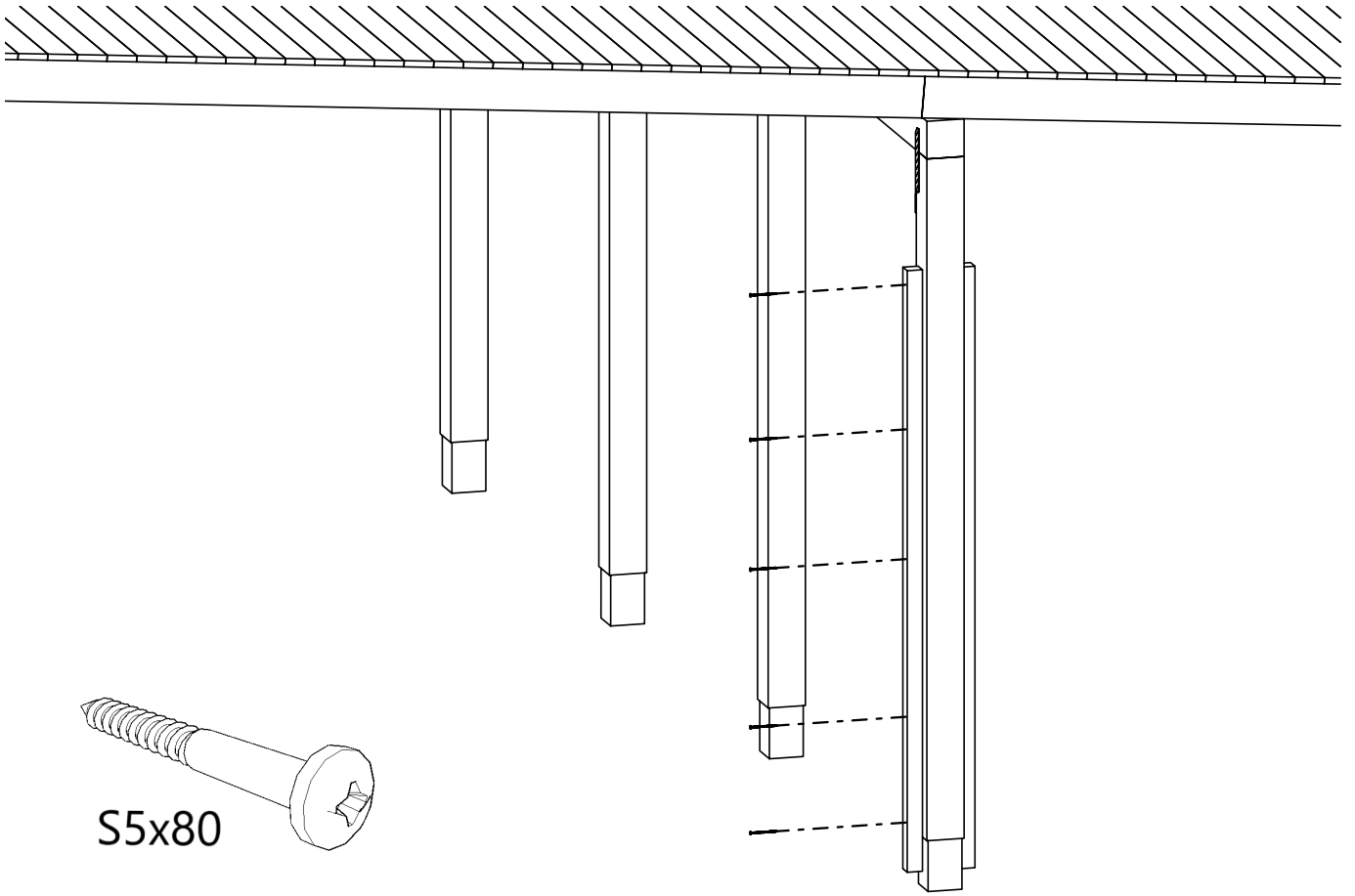
OPTIONAL

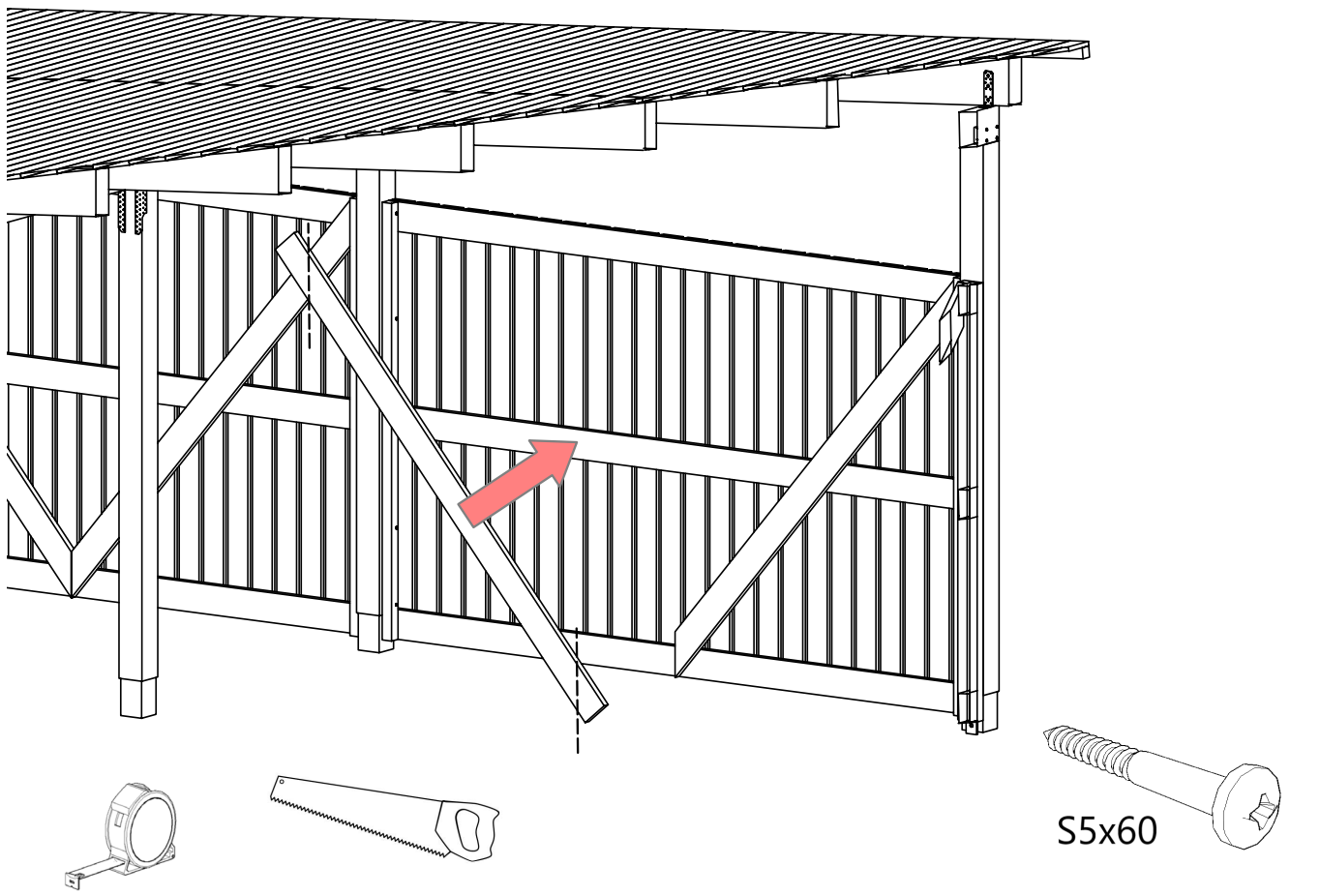
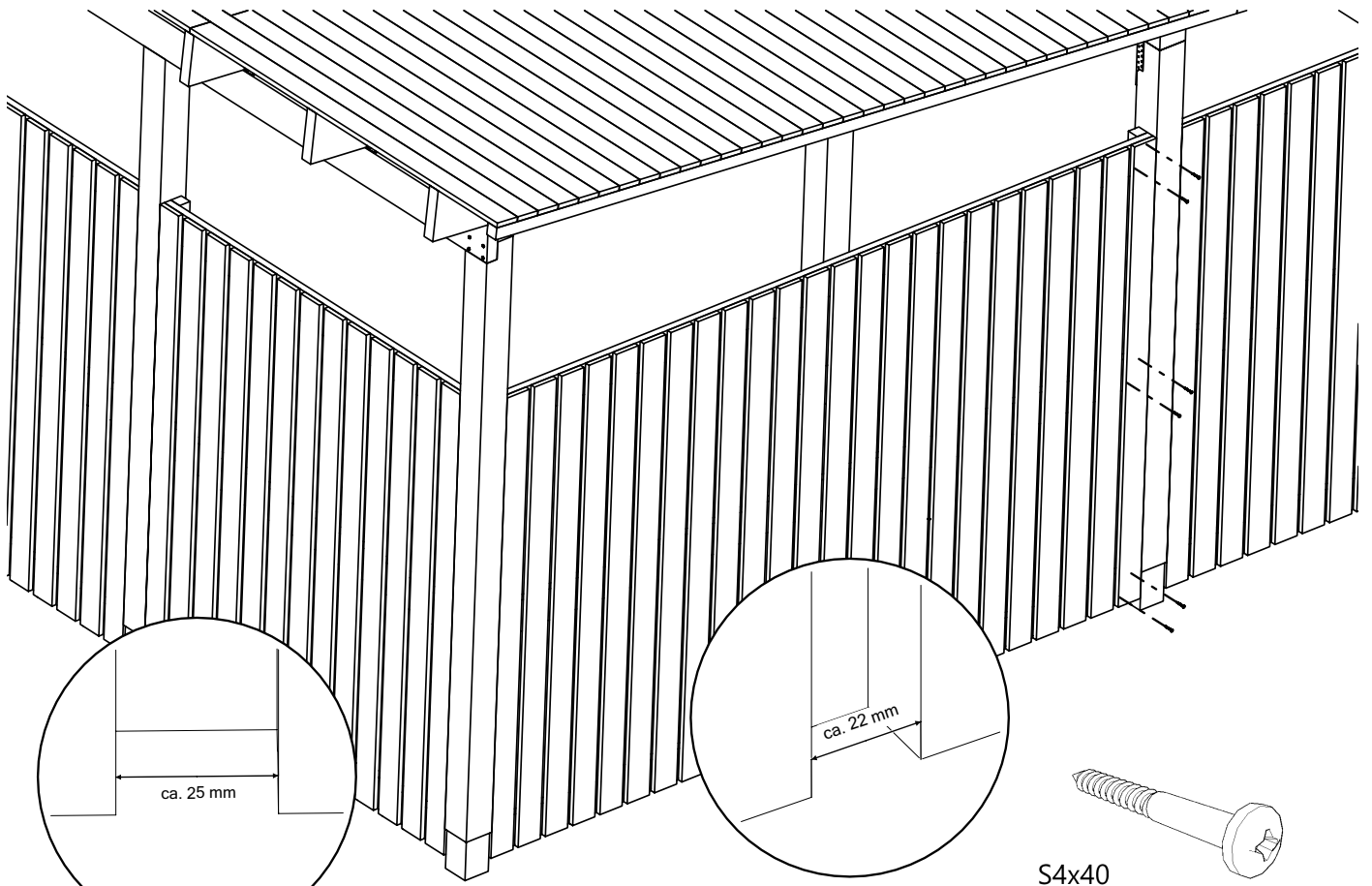


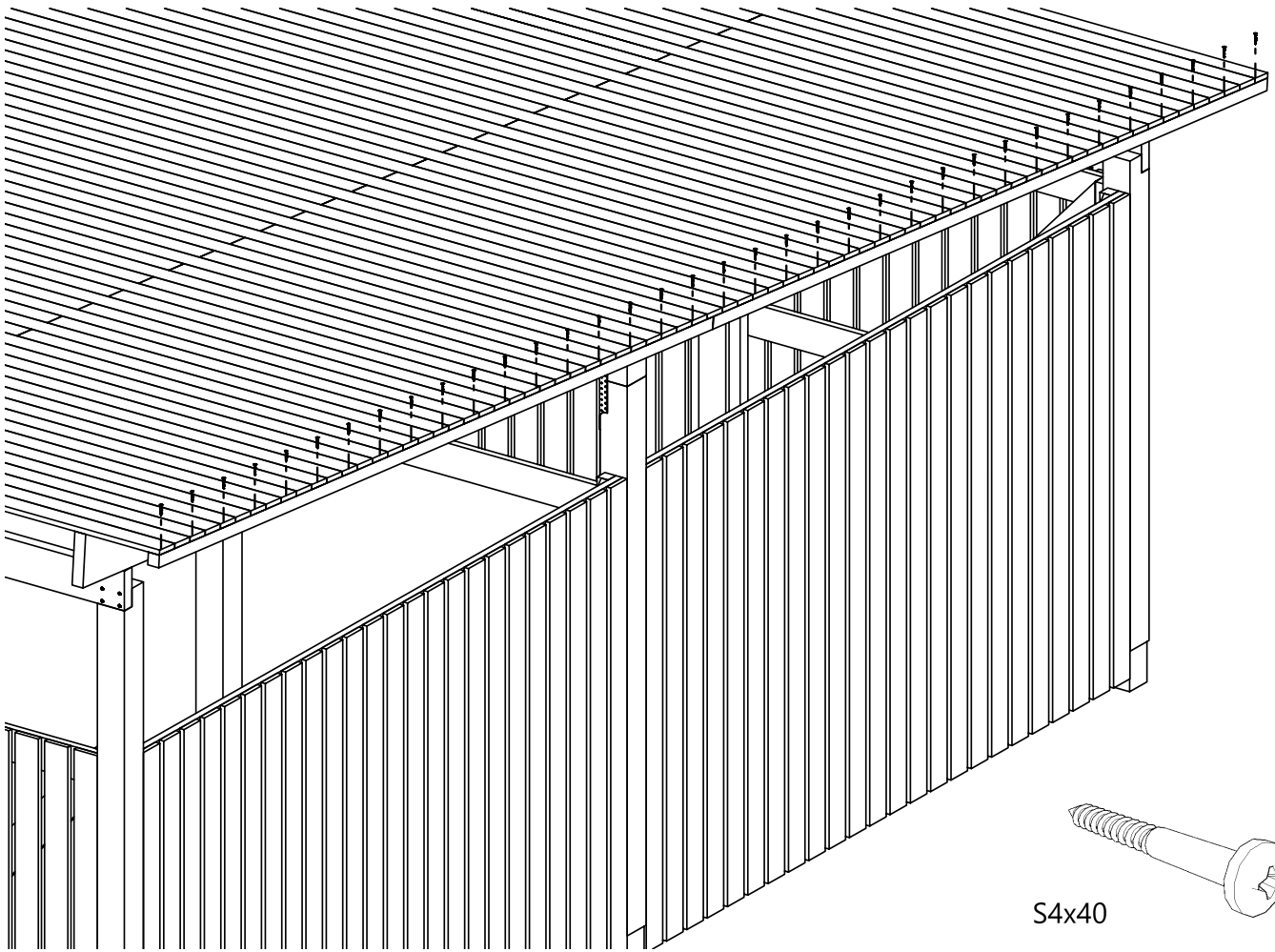




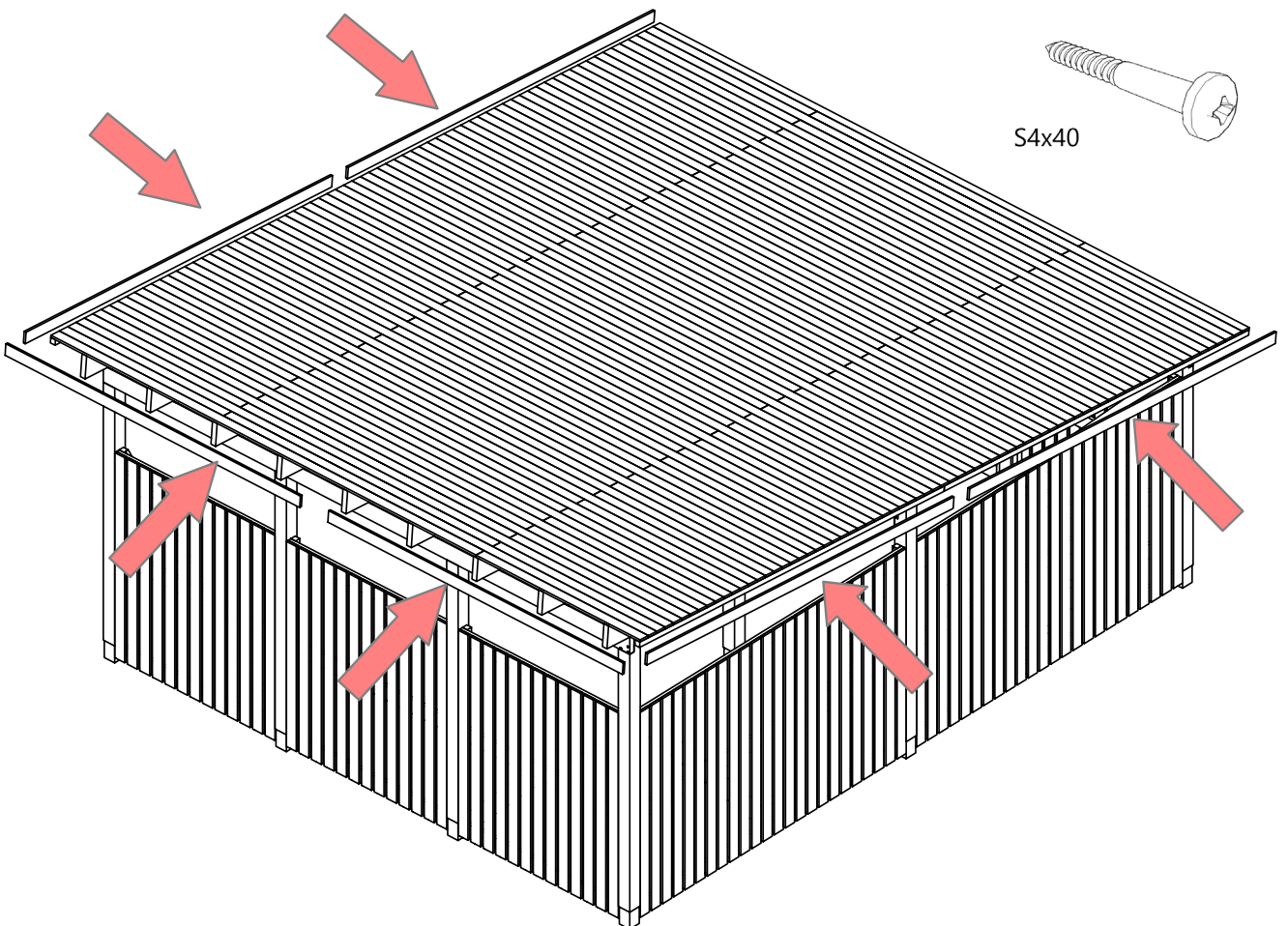
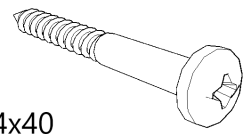








S4x40



S4x40

