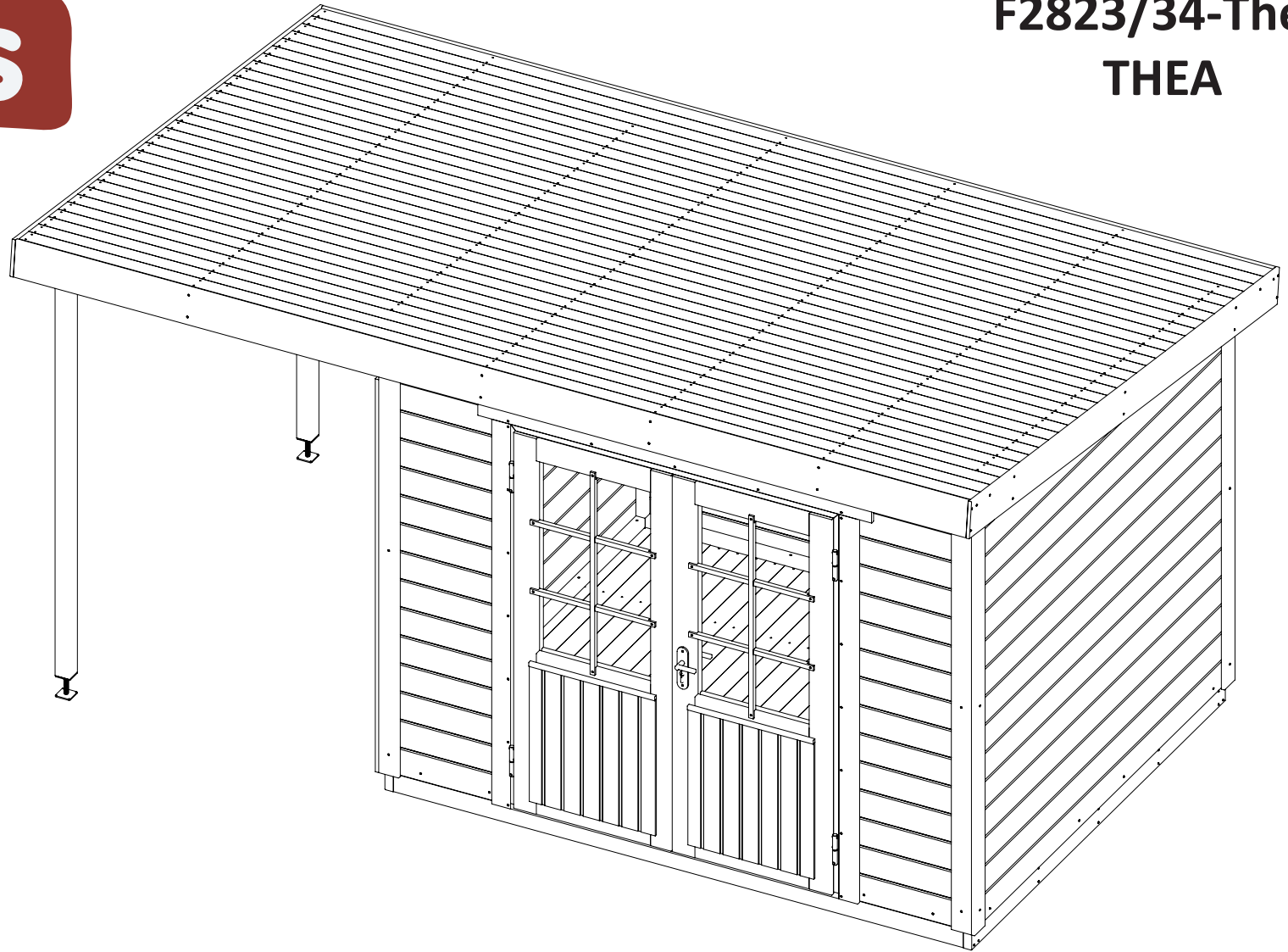


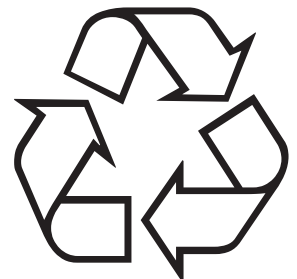
Polhus

F2823/34-Thea
THEA



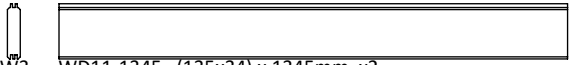

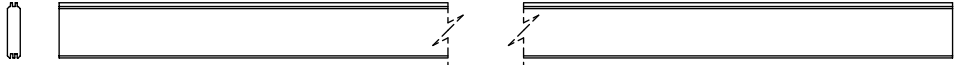
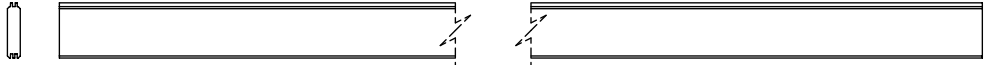
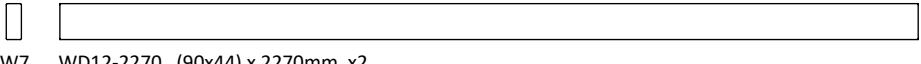
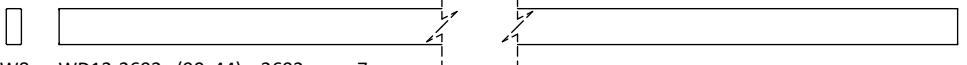
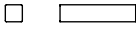
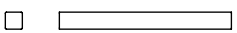

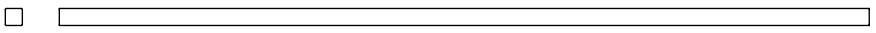
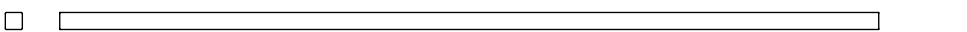
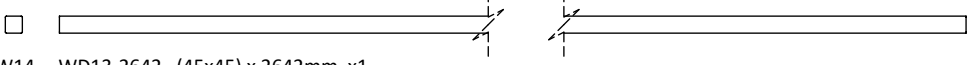
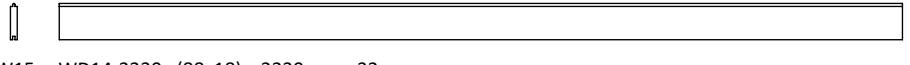
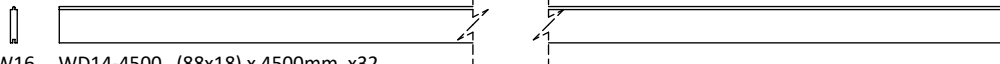




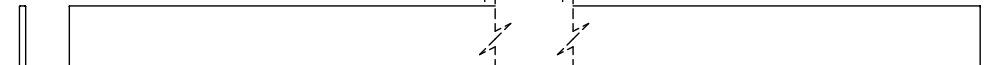
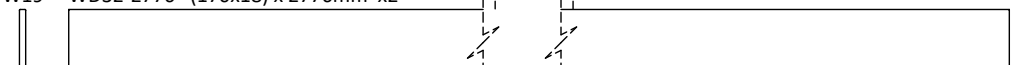
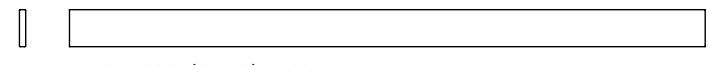
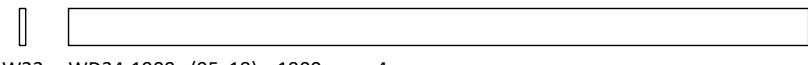
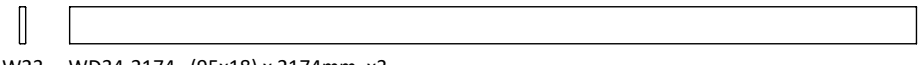
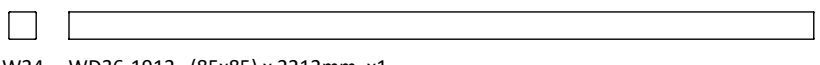
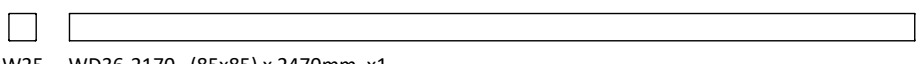


DE - Anweisungen für Montage, Wartung und sicheren Gebrauch.
EN - Instructions for assembly, maintenance and safe use.
FR - Instructions de montage, d'entretien et d'utilisation en toute sécurité.
NL - Instructies voor montage, onderhoud en veilig gebruik.
CZ - Pokyny pro montáž, údržbu a bezpečné použití.
SK - Návod na montáž, údržbu a bezpečné používanie.
SWE - Monteringsanvisning

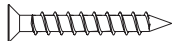
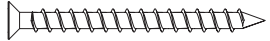
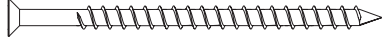
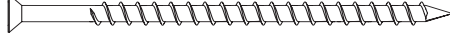

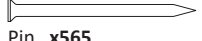
Polhus
Polhus Aktiebolag
Djäknegatan 31
211 35 Malmö
<https://www.polhus.com/>

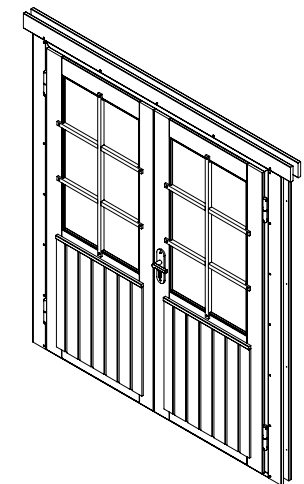


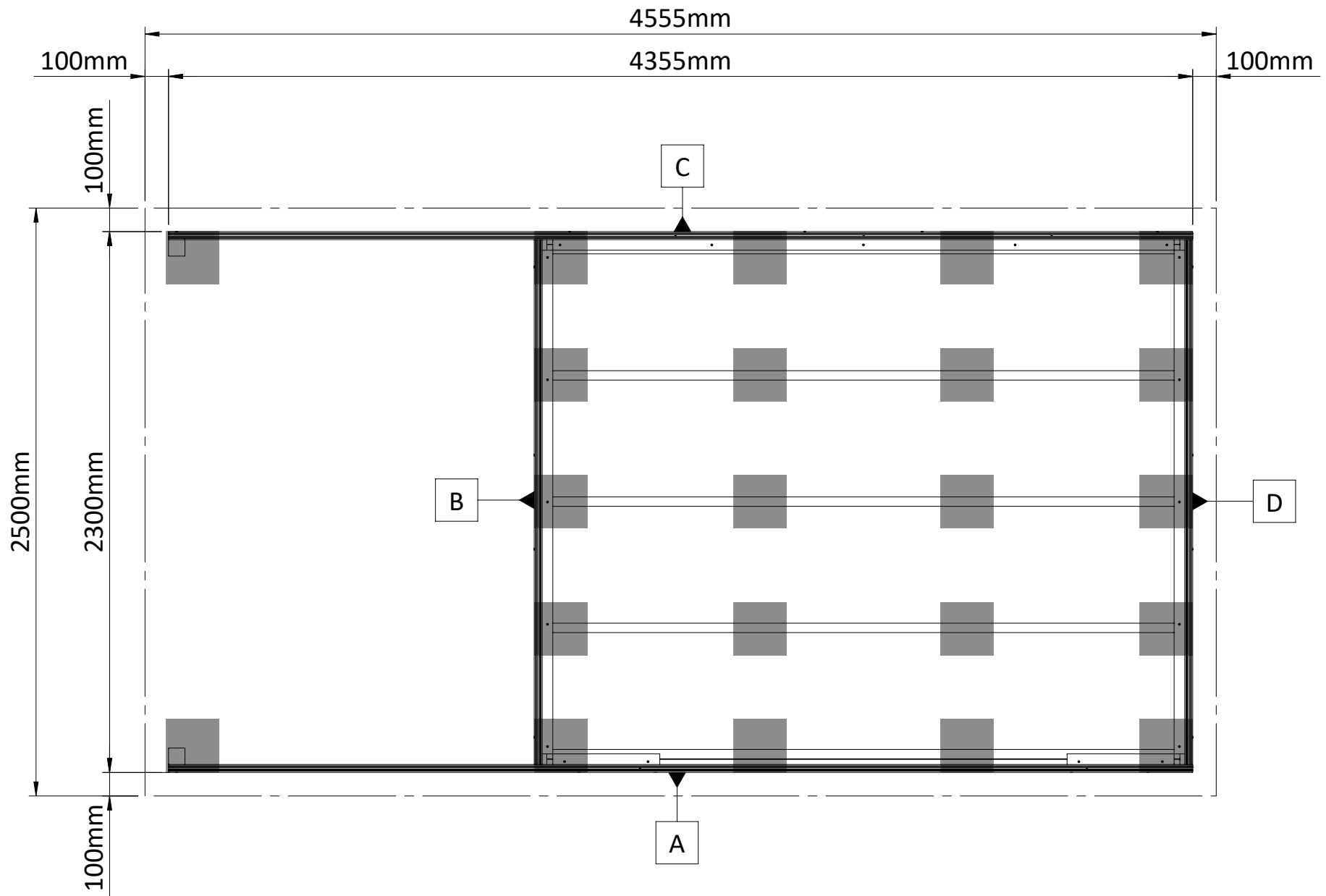
Issue - B 23/01/2024

- W1  WD11-0585 (135x34) x 585mm x30
- W2  WD11-0755 (135x34) x 755mm x6
- W3  WD11-1345 (135x34) x 1345mm x2
- W4  WD11-2232 (135x34) x 2232mm x28
- W5  WD11-2800 (135x34) x 2800mm x12
(+ 1 Extra)
- W6  WD11-4355 (135x34) x 4355mm x2
- W7  WD12-2270 (90x44) x 2270mm x2
- W8  WD12-2692 (90x44) x 2692mm x7
- W9  WD13-0200 (45x45) x 200mm x2
- W10  WD13-0455 (45x45) x 455mm x2
- W11  WD13-1894 (45x45) x 1894mm x2
- W12  WD13-2142 (45x45) x 2142mm x2
- W13  WD13-2166 (45x45) x 2166mm x2
- W14  WD13-2642 (45x45) x 2642mm x1
- W15  WD14-2230 (88x18) x 2230mm x32
- W16  WD14-4500 (88x18) x 4500mm x32

- W17  WD15-0100 (144x44) x 100mm x3
- W18  WD15-2740 (144x44) x 2740mm x5
- W19  WD32-2776 (170x18) x 2776mm x2
- W20  WD32-4500 (170x18) x 4500mm x2
- W21  WD34-1632 (95x18) x 1632mm x1
- W22  WD34-1900 (95x18) x 1900mm x4
- W23  WD34-2174 (95x18) x 2174mm x3
- W24  WD36-1912 (85x85) x 2212mm x1
- W25  WD36-2170 (85x85) x 2470mm x1
- W26  WD1471 (135x34) x 2232mm x2
- W27  WD1472 (135x34) x 1191mm x2

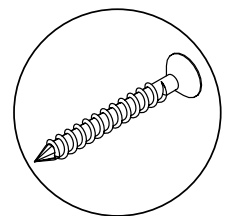
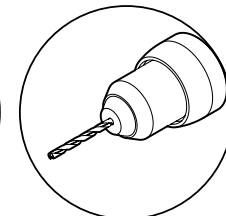
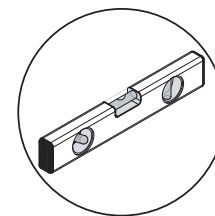
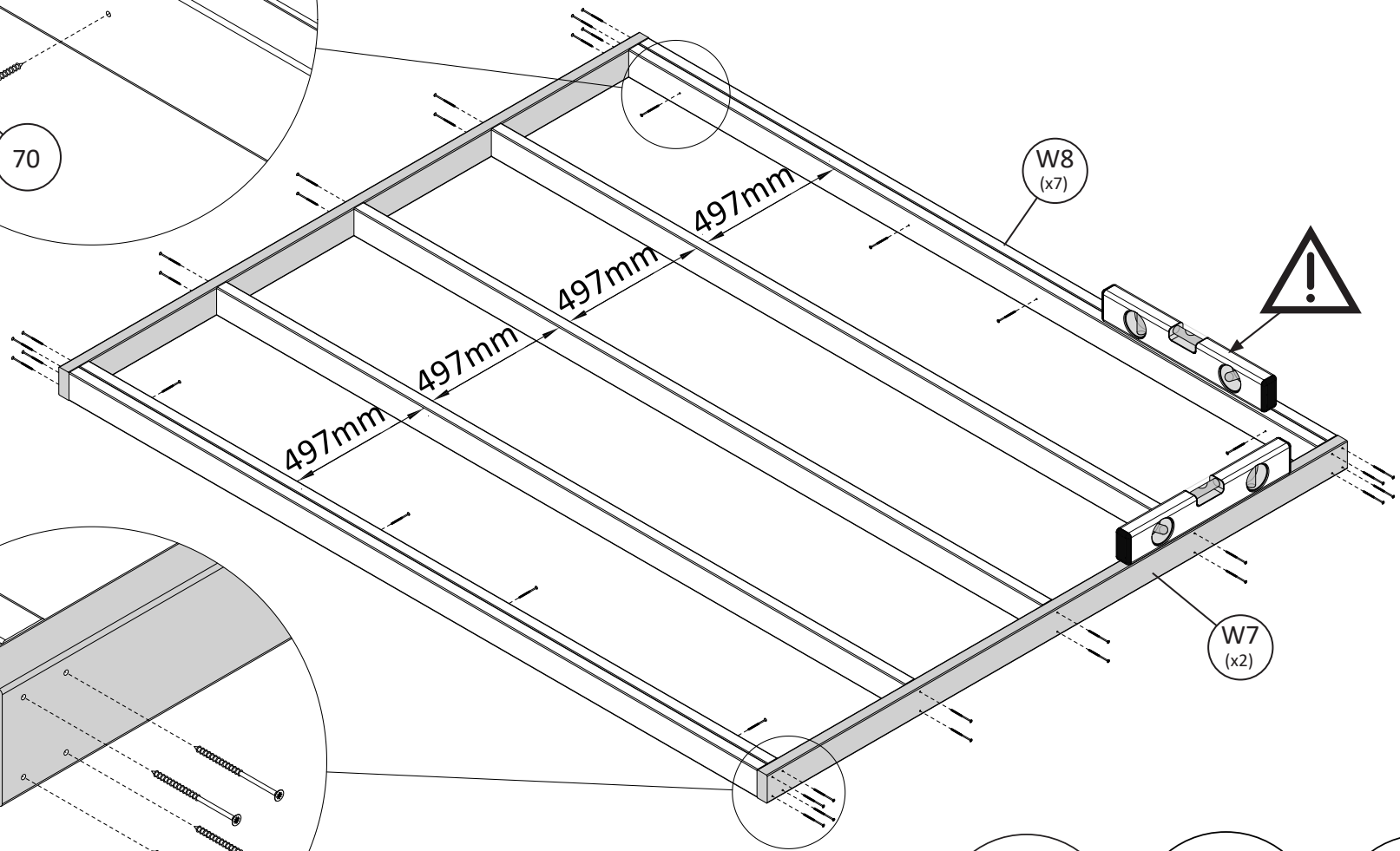
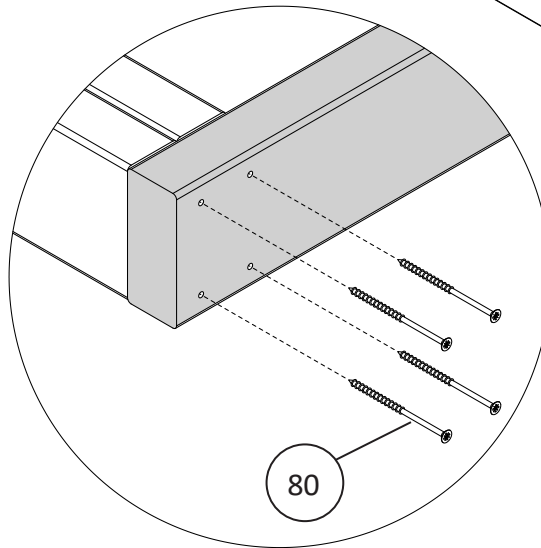
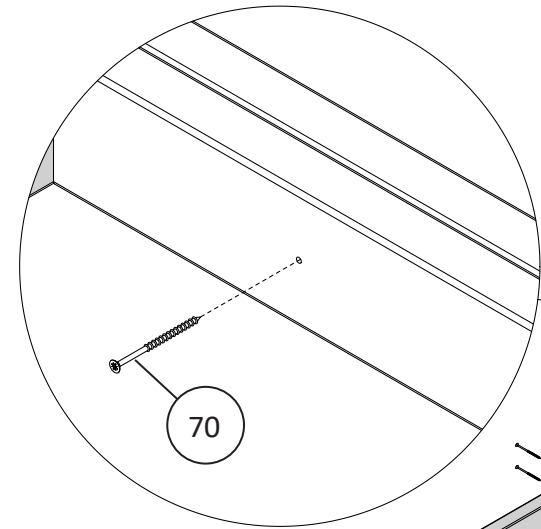
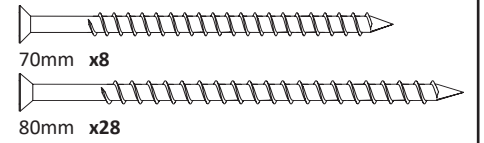
-  30mm x19
-  50mm x78
-  70mm x321
-  80mm x28
-  180mm x59
-  Pin x565



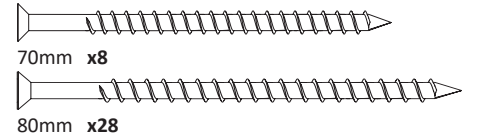


PLINTPLAN / FOUNDATION PLAN / BETONBLOCK / PLAN DE FONDATIONS

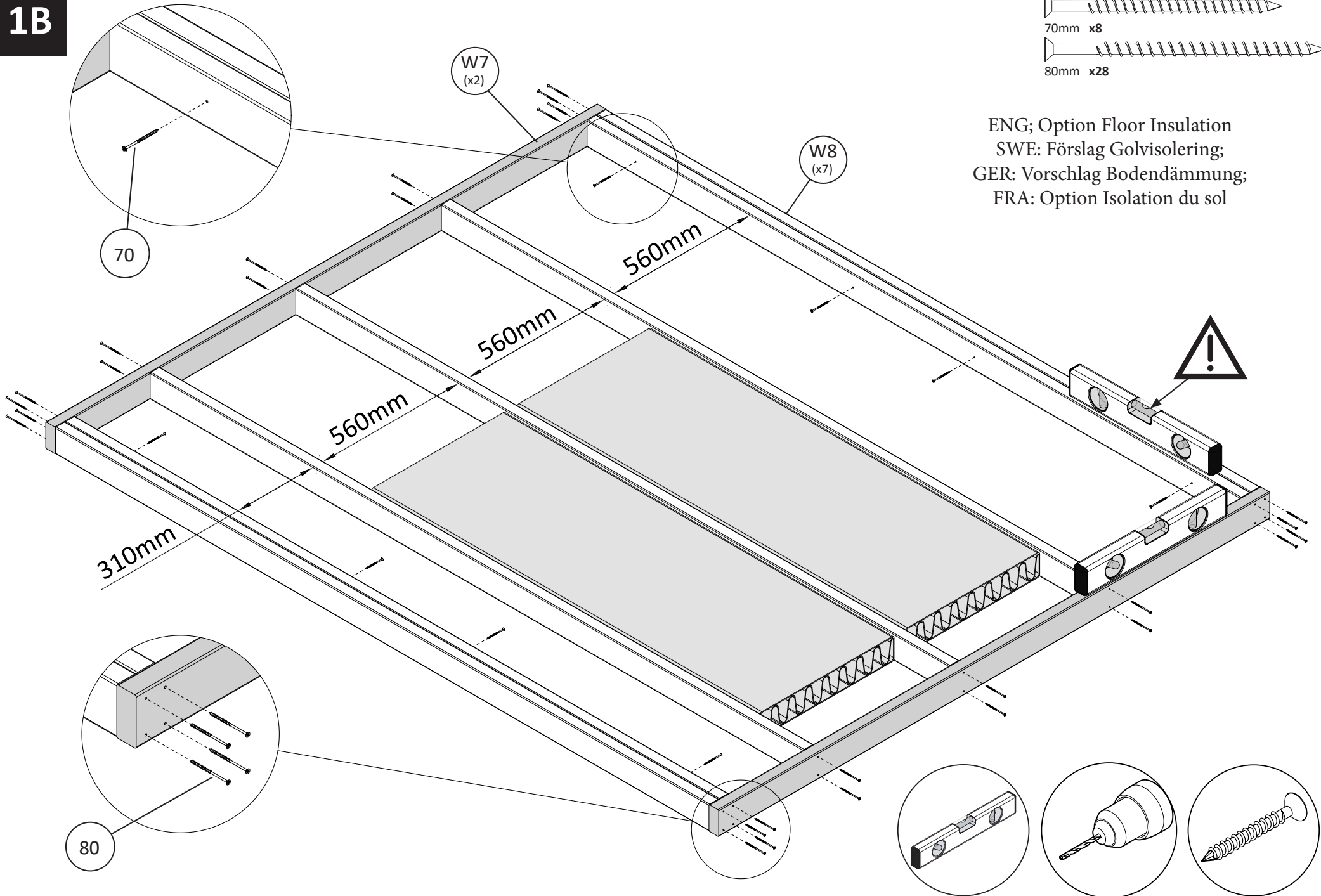
1A



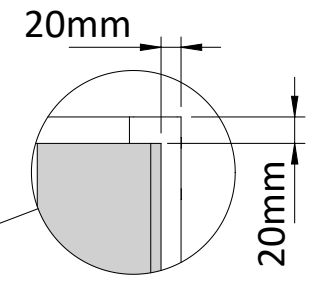
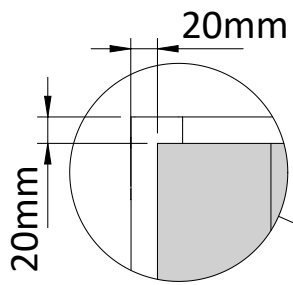
1B



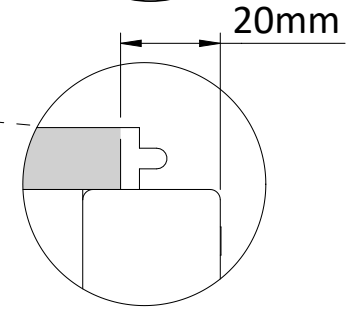
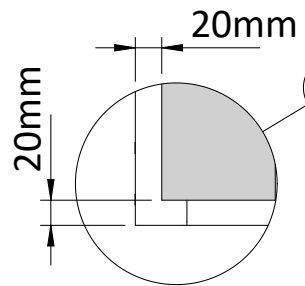
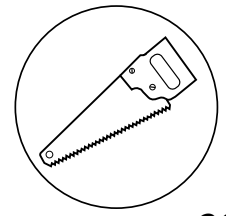
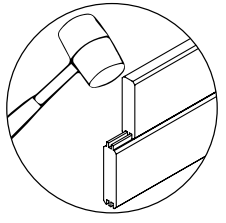
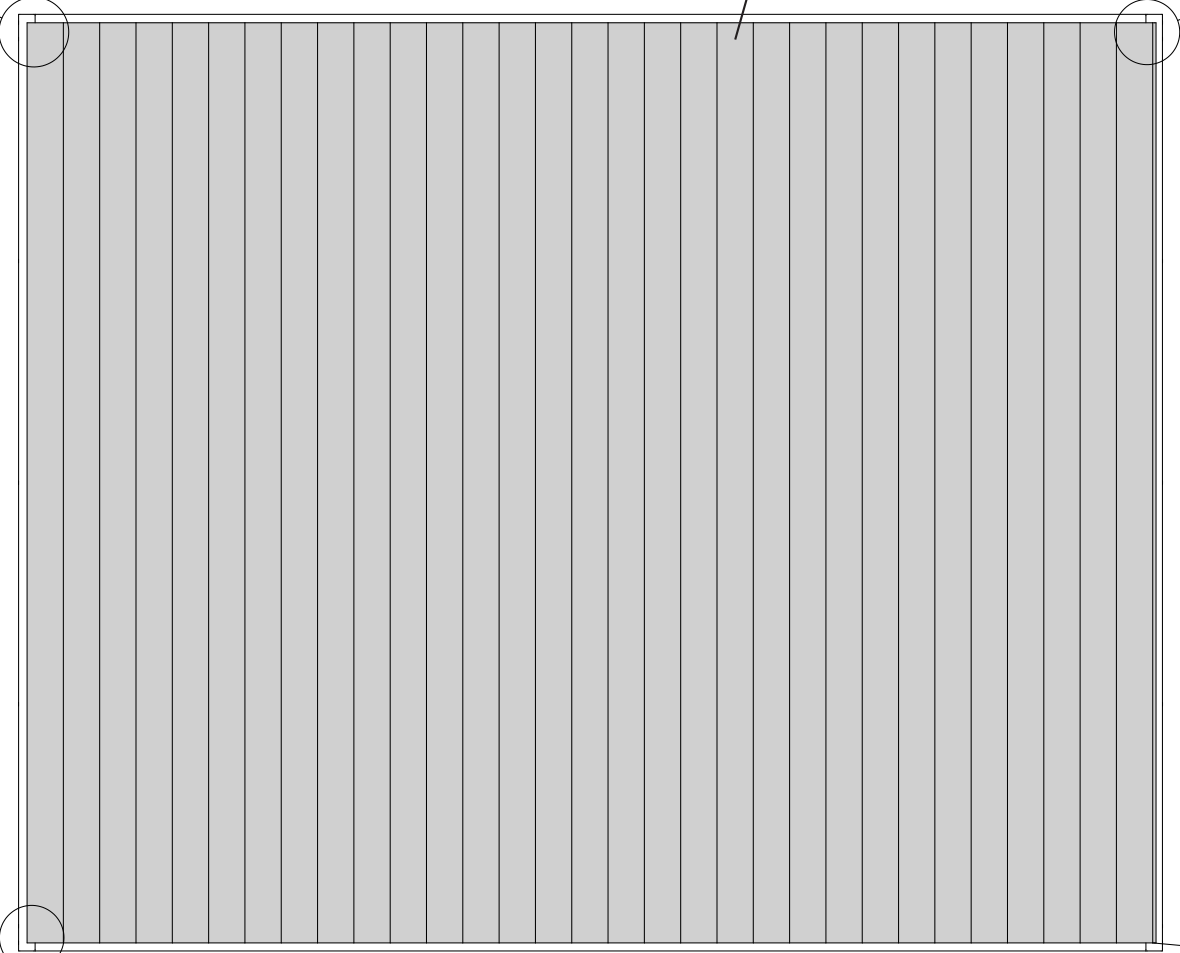
ENG; Option Floor Insulation
SWE: Förslag Golvisolering;
GER: Vorschlag Bodendämmung;
FRA: Option Isolation du sol



2

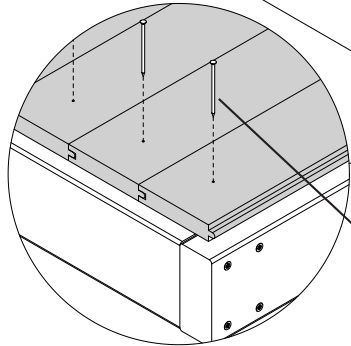
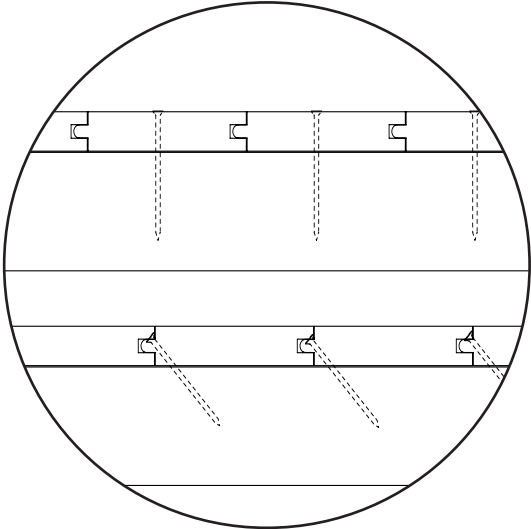
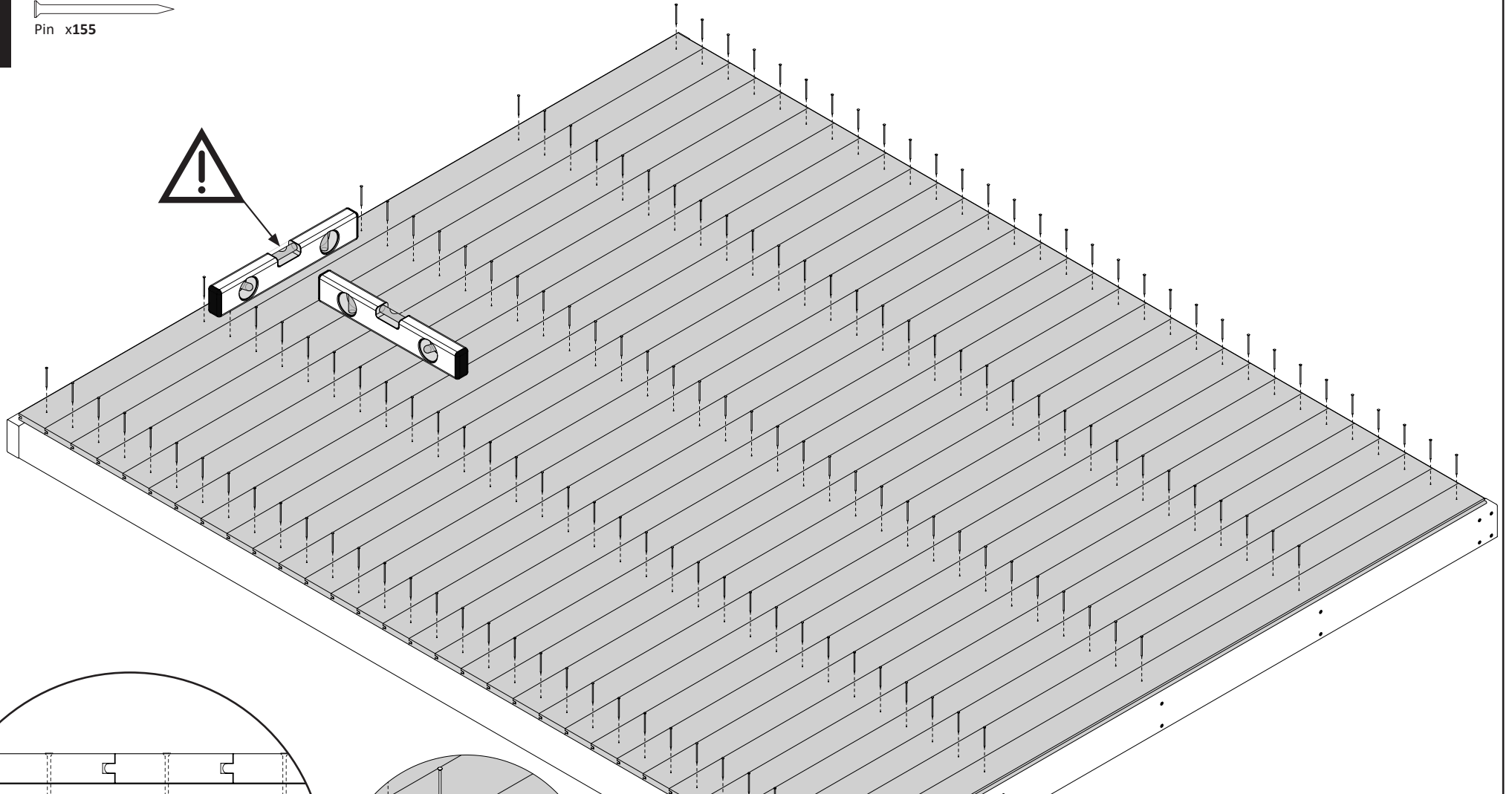


W15
(x31)

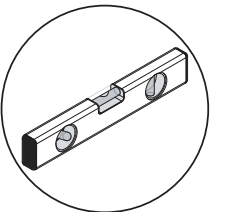
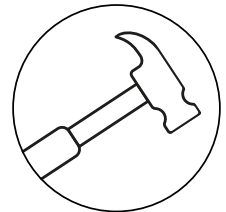
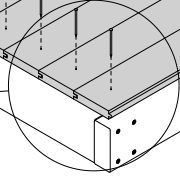


3

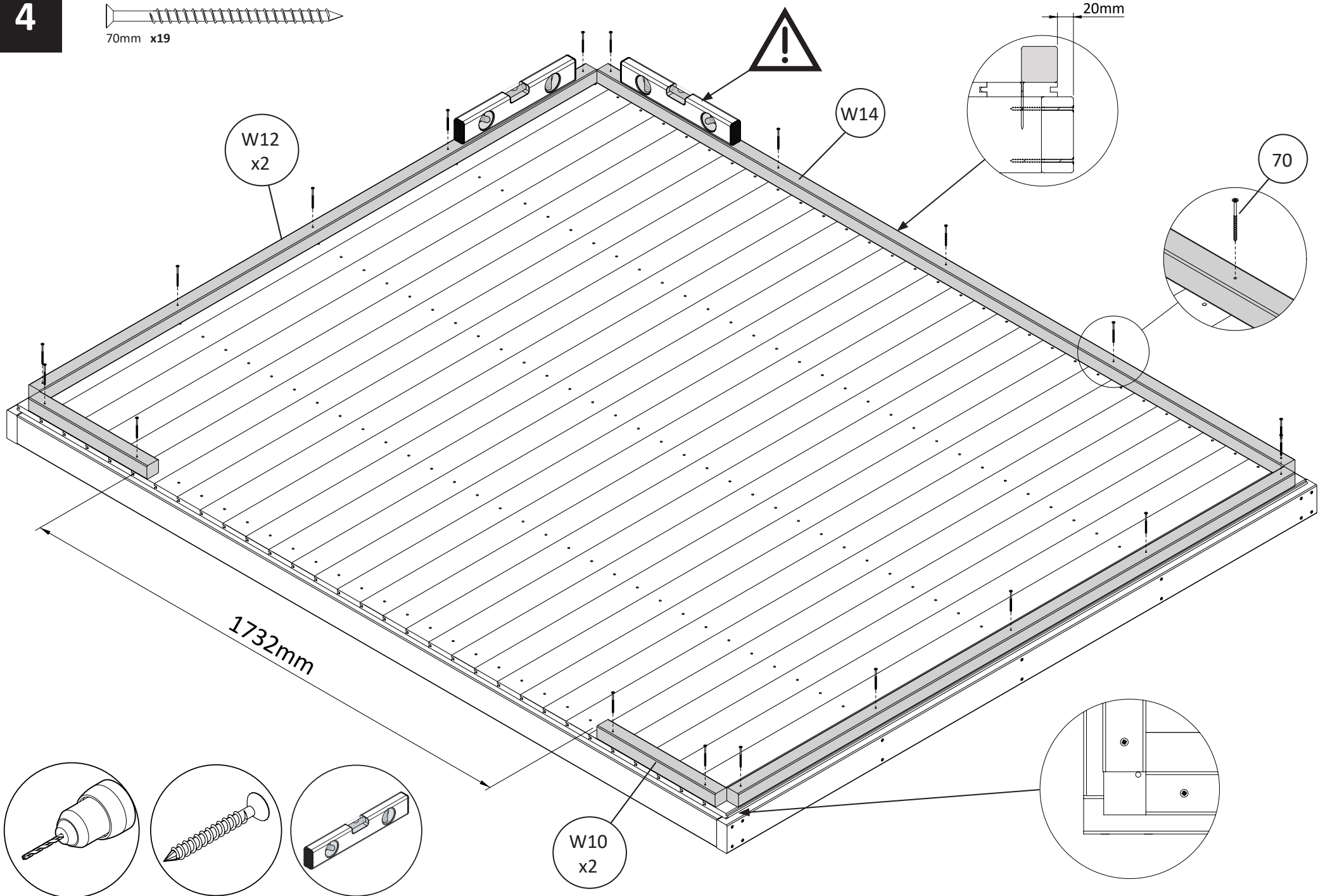
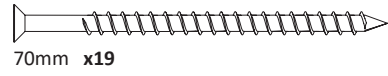
Pin x155



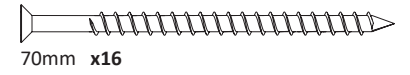
Pin



4



5

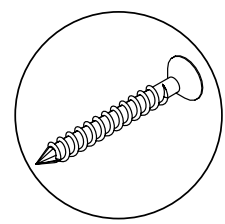
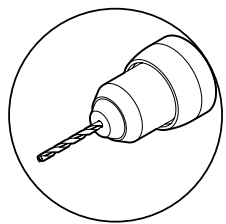
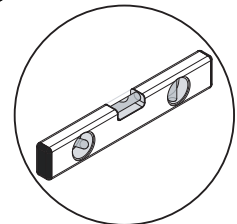
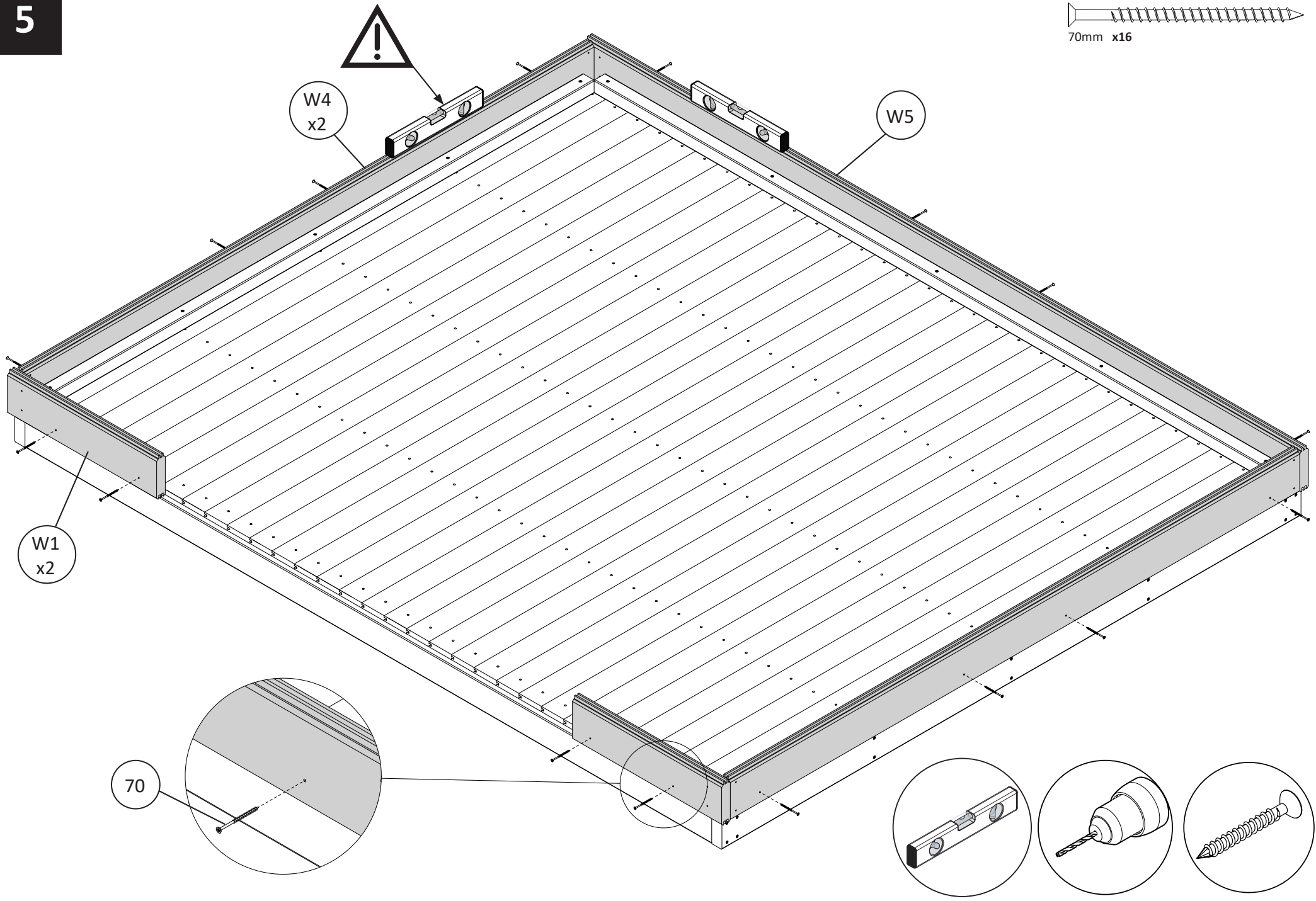


W4
x2

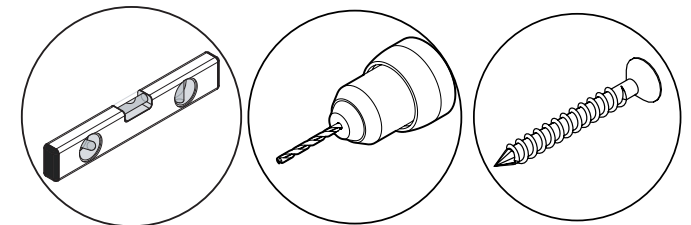
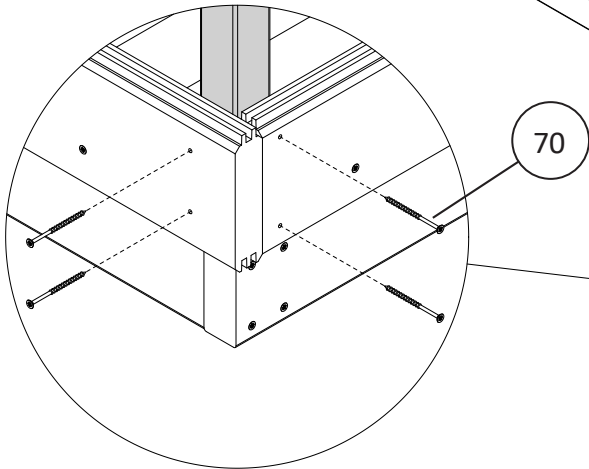
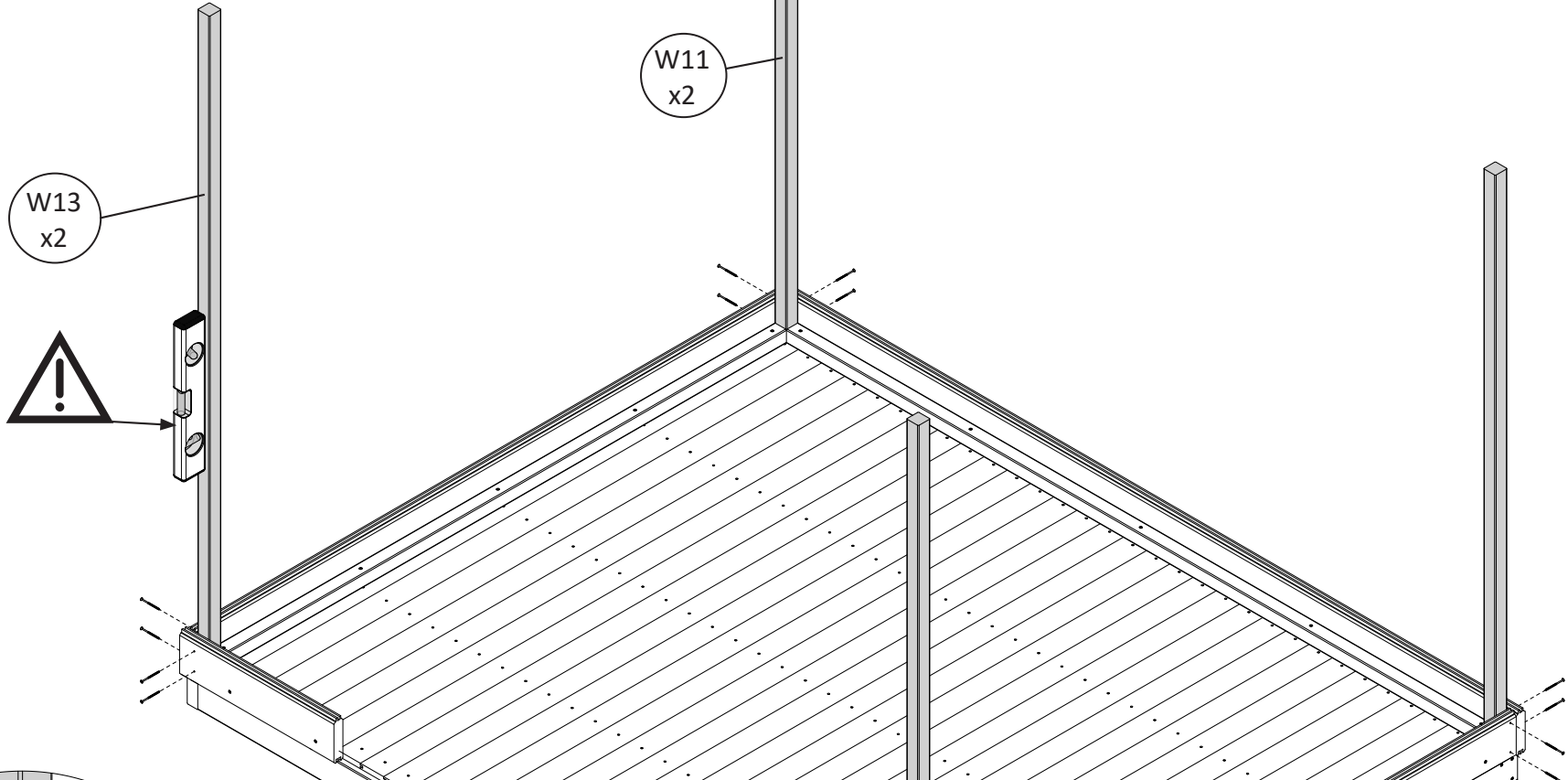
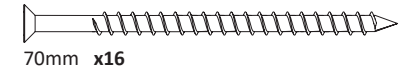
W5

W1
x2

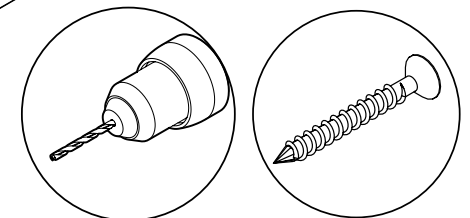
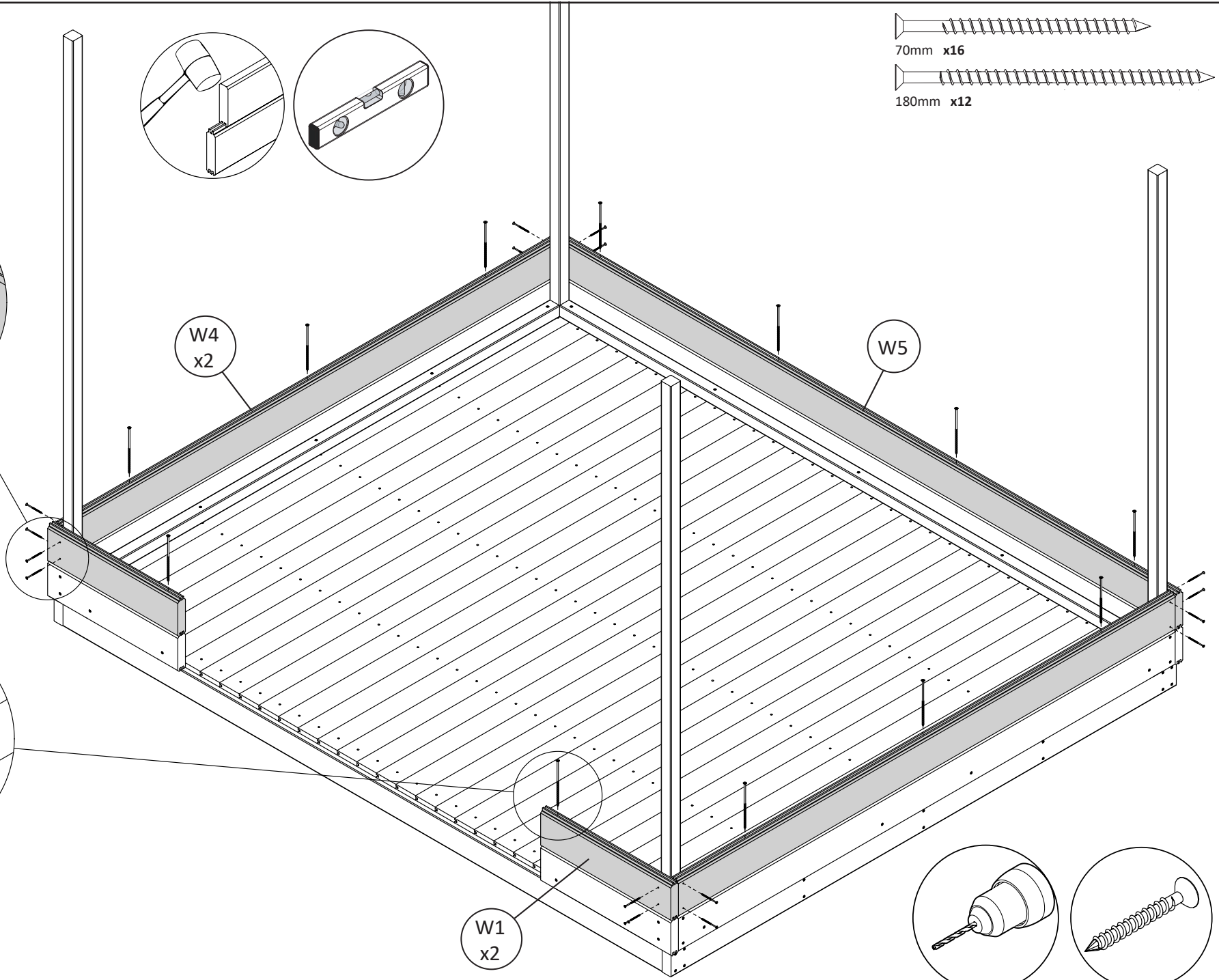
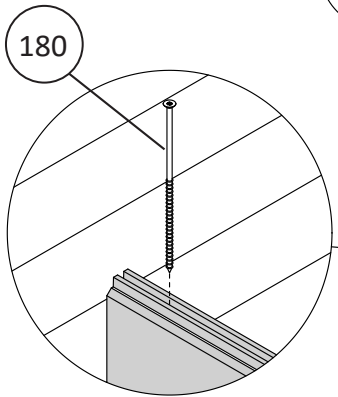
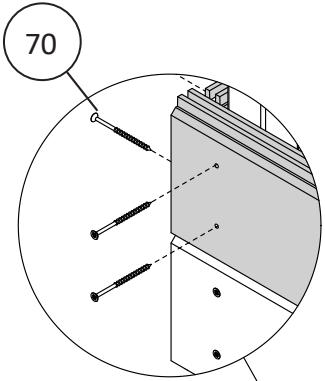
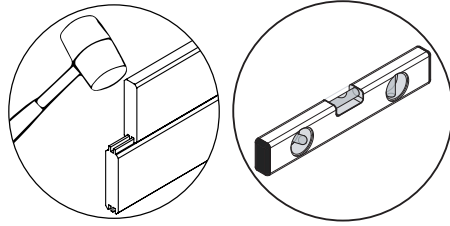
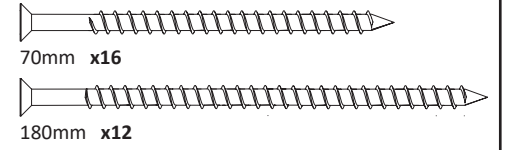
70

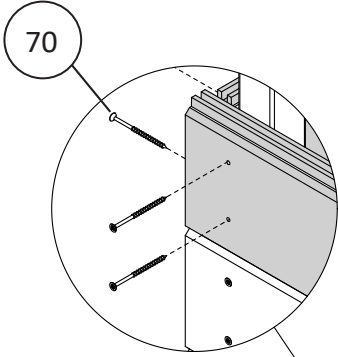
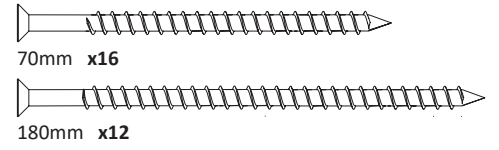
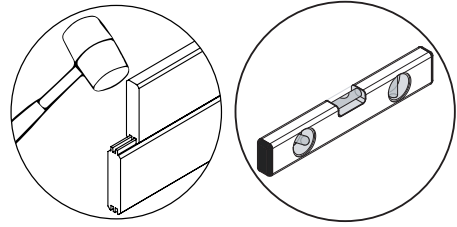


6



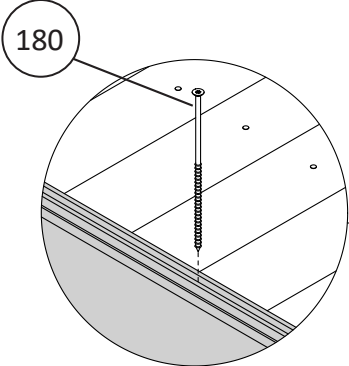
7



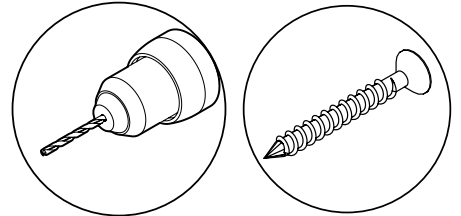


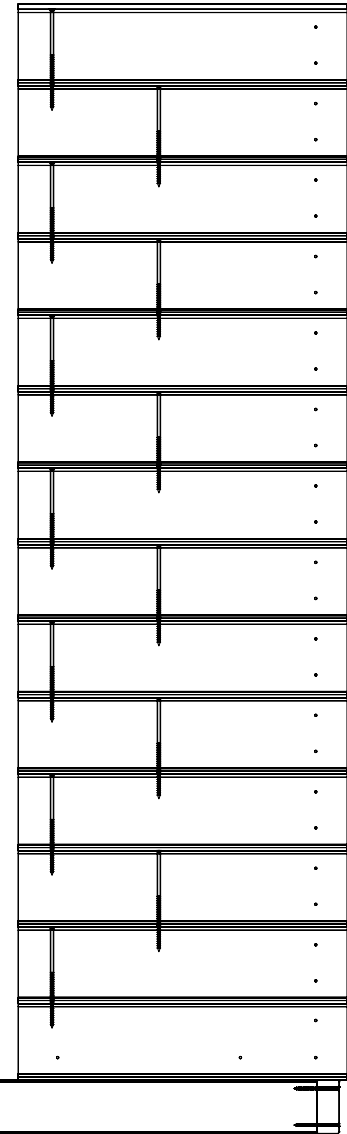
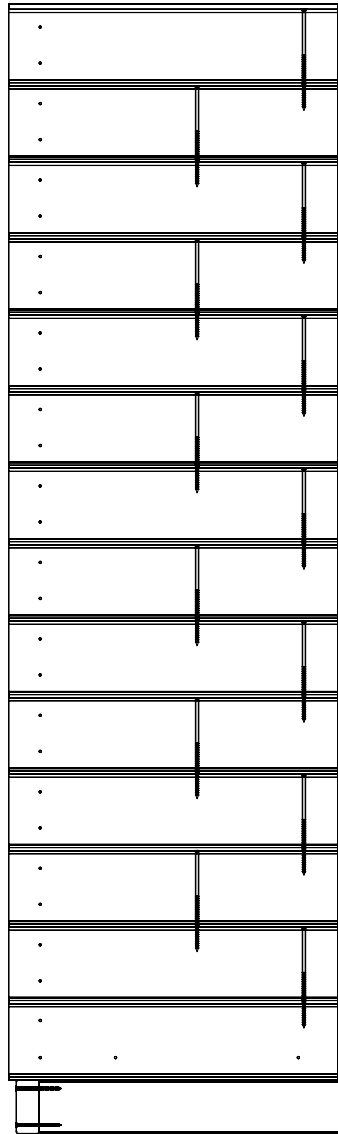
W4
x2

W5

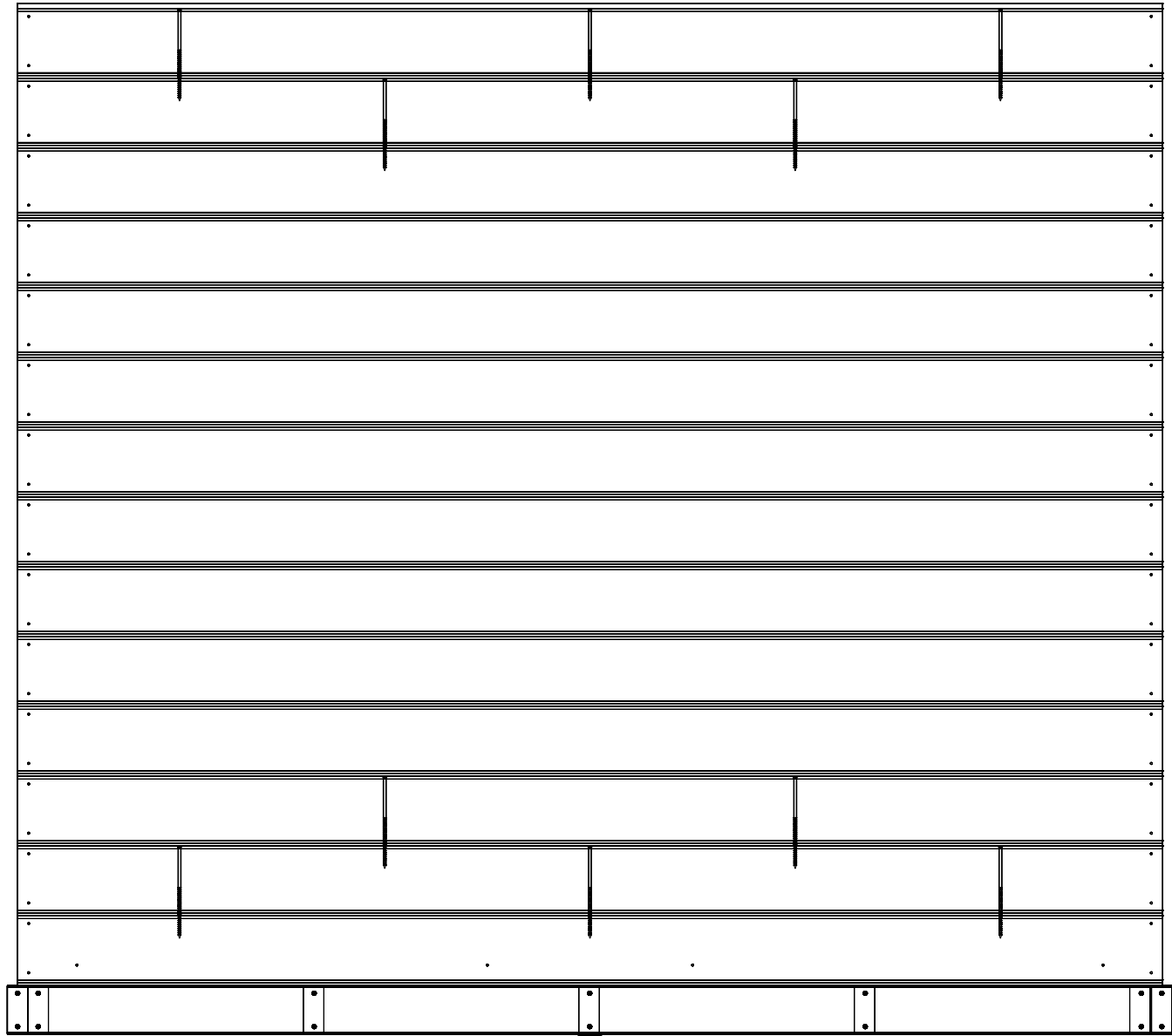


W1
x2

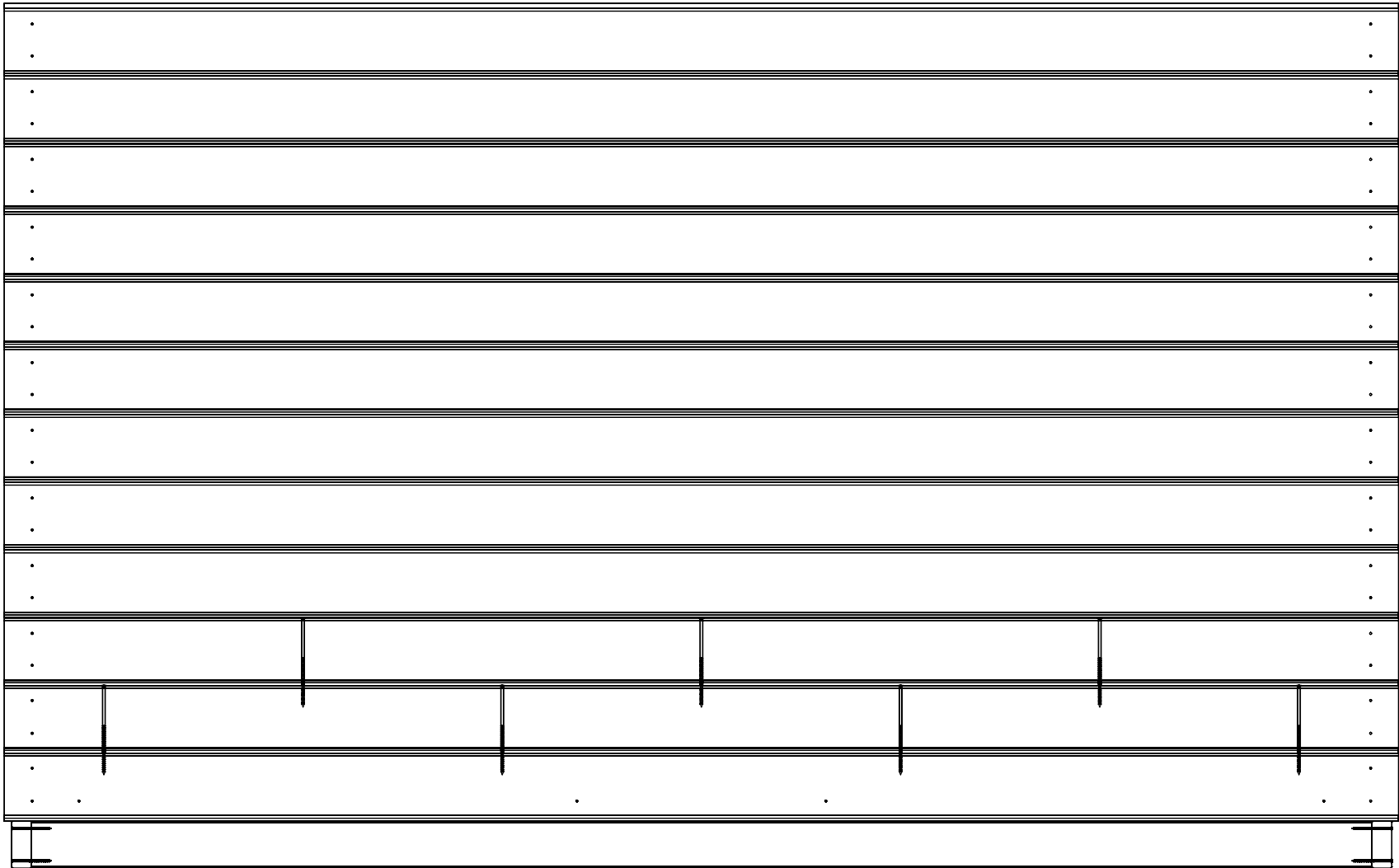




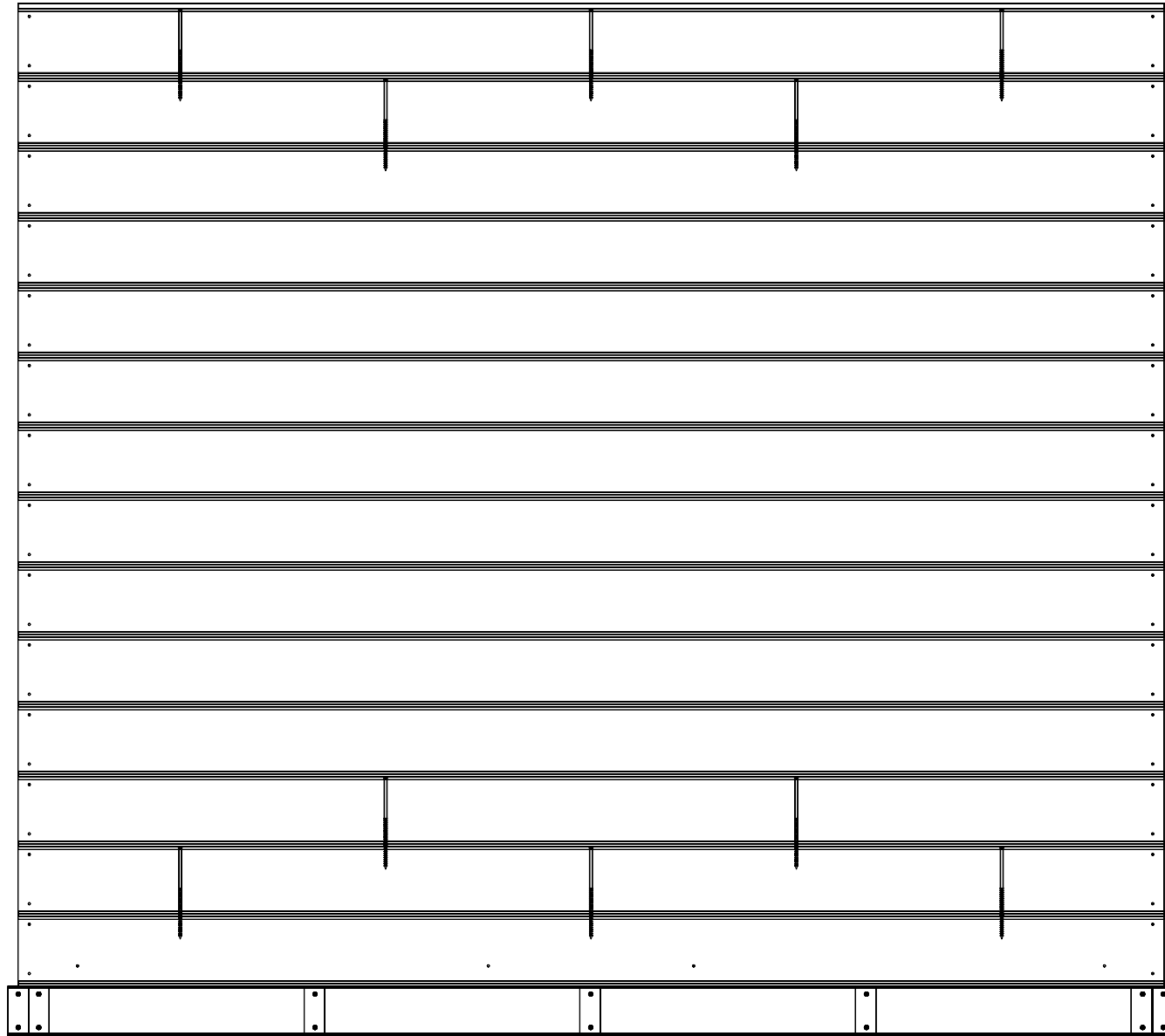
A



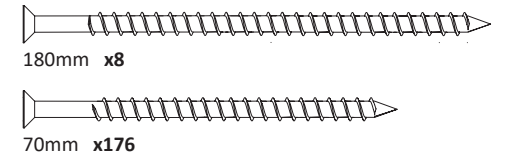
B



C



D



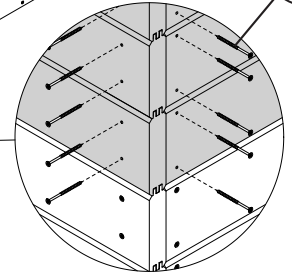
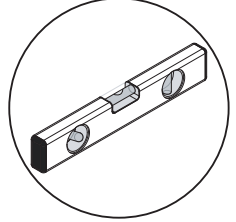
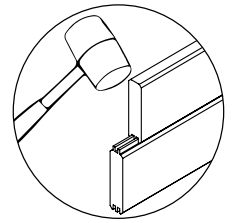
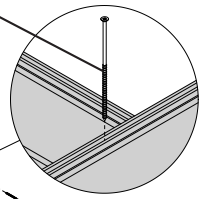
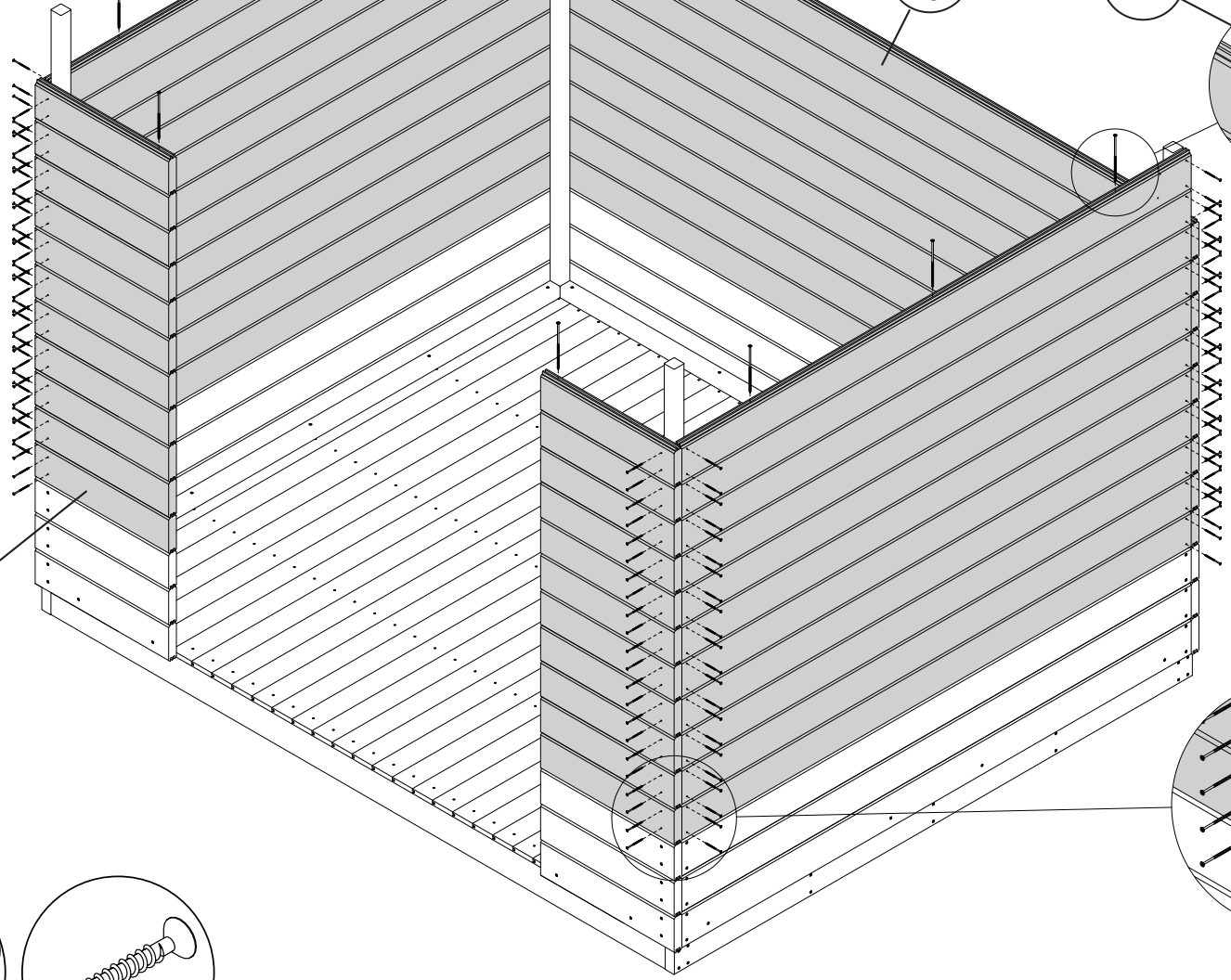
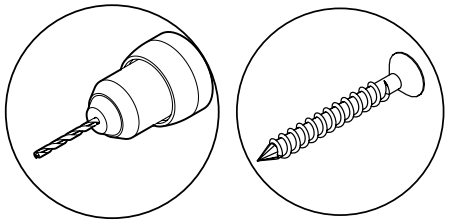
W4
x22

W5
x9

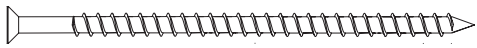
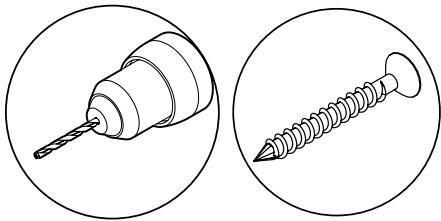
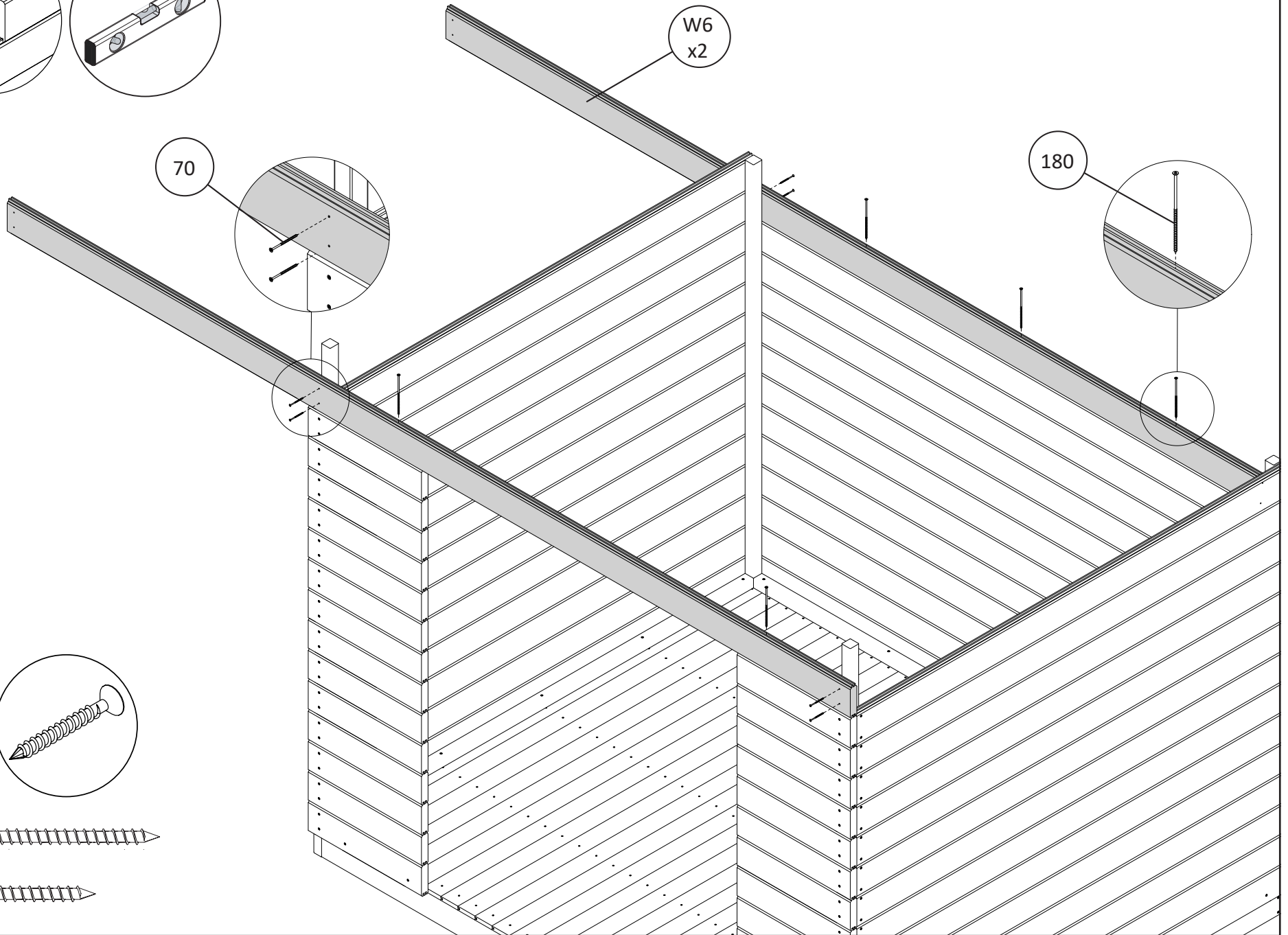
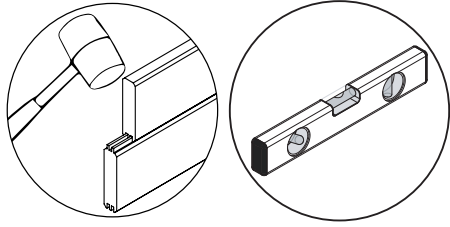
180

W1
x22

70



10

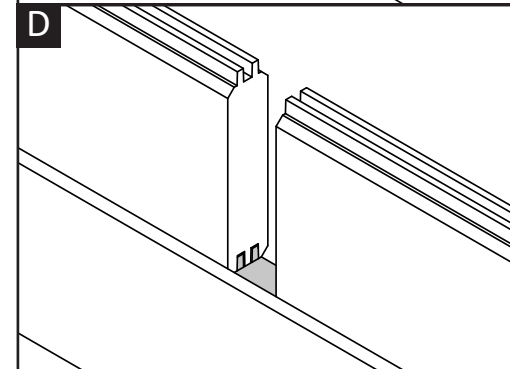
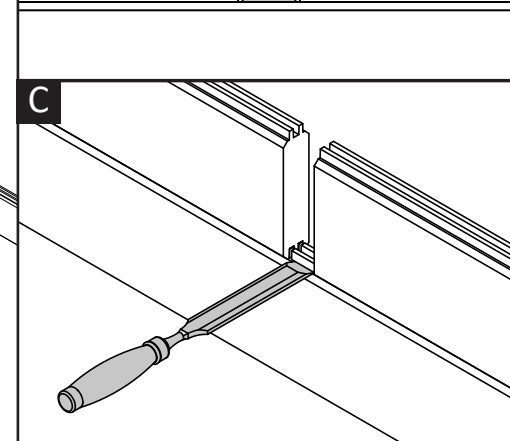
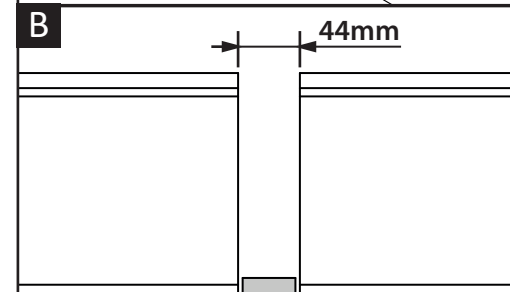
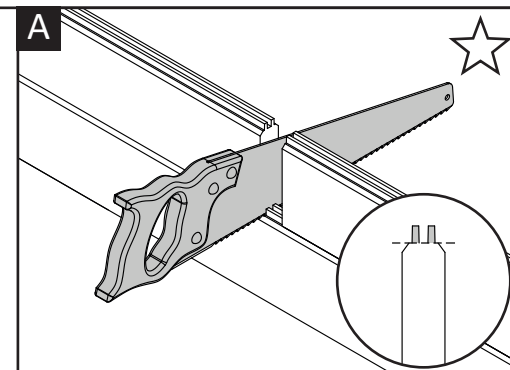
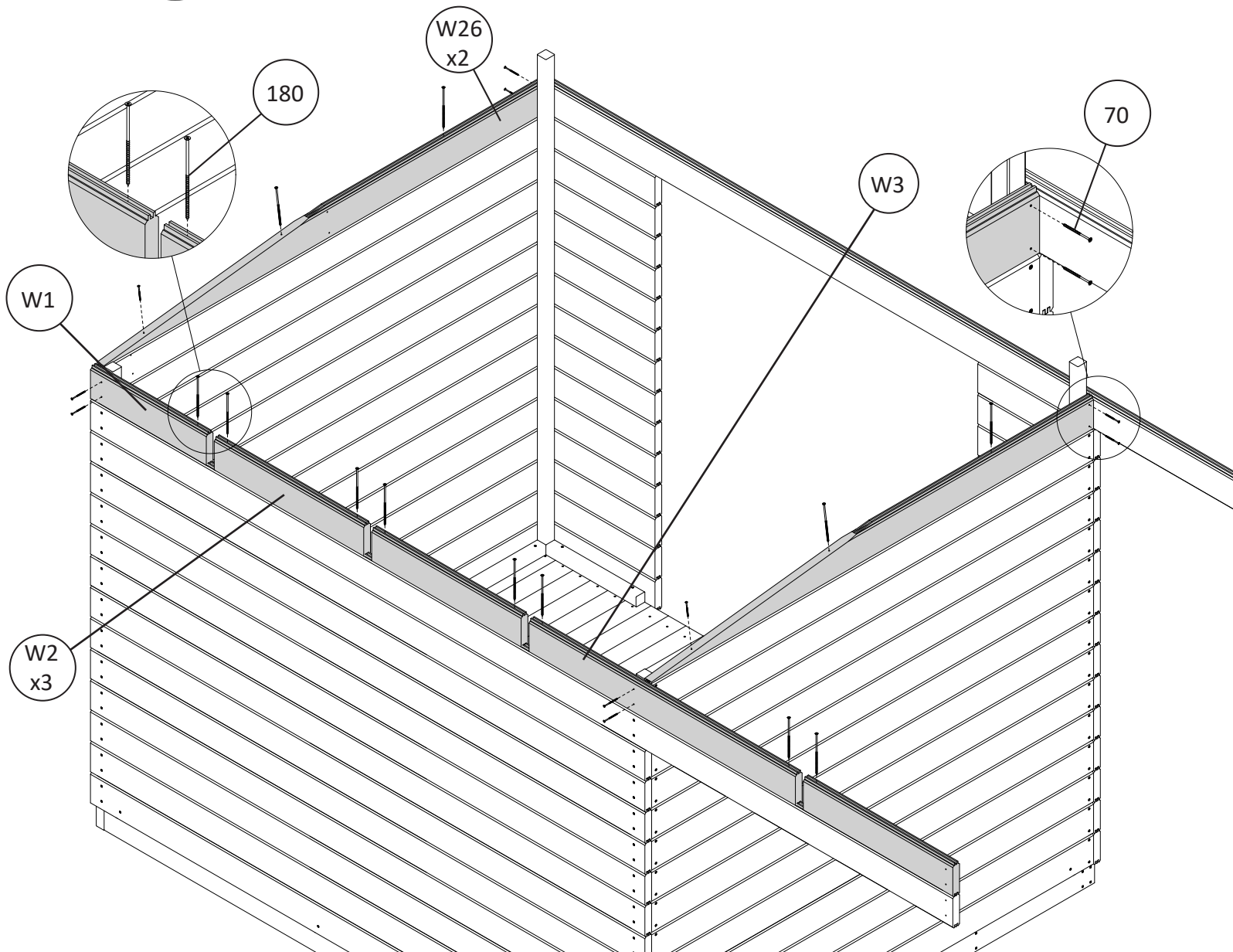
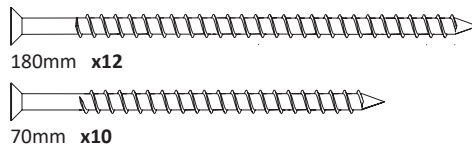
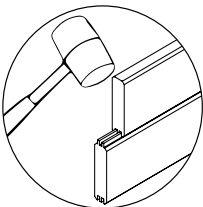
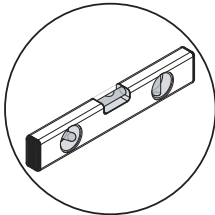
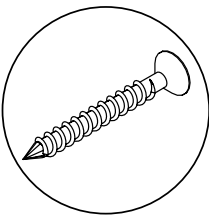
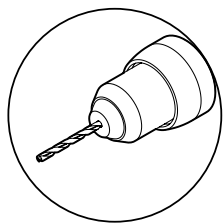


180mm x5

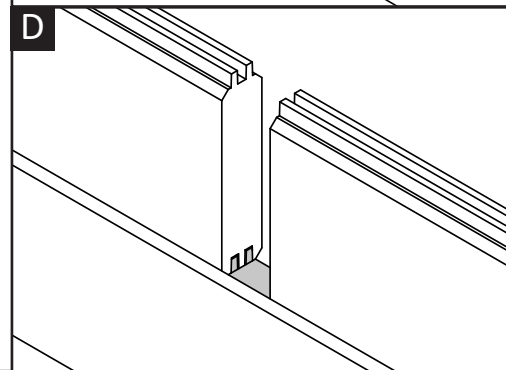
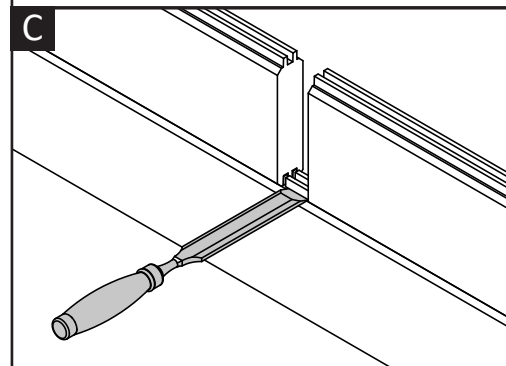
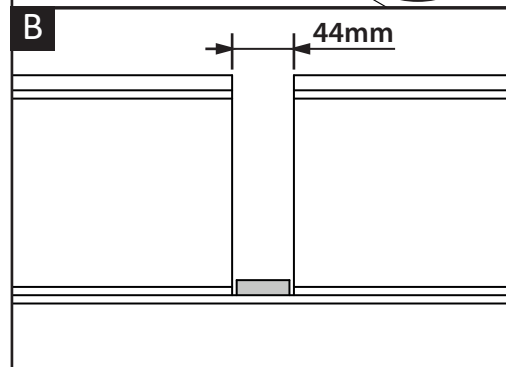
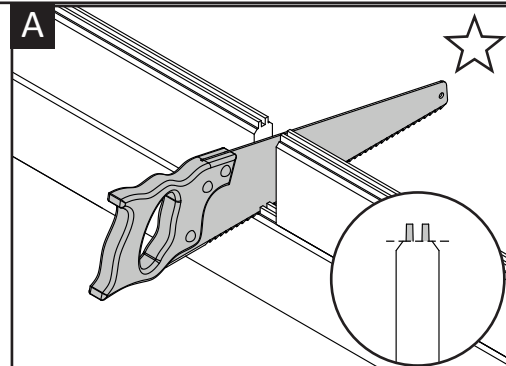
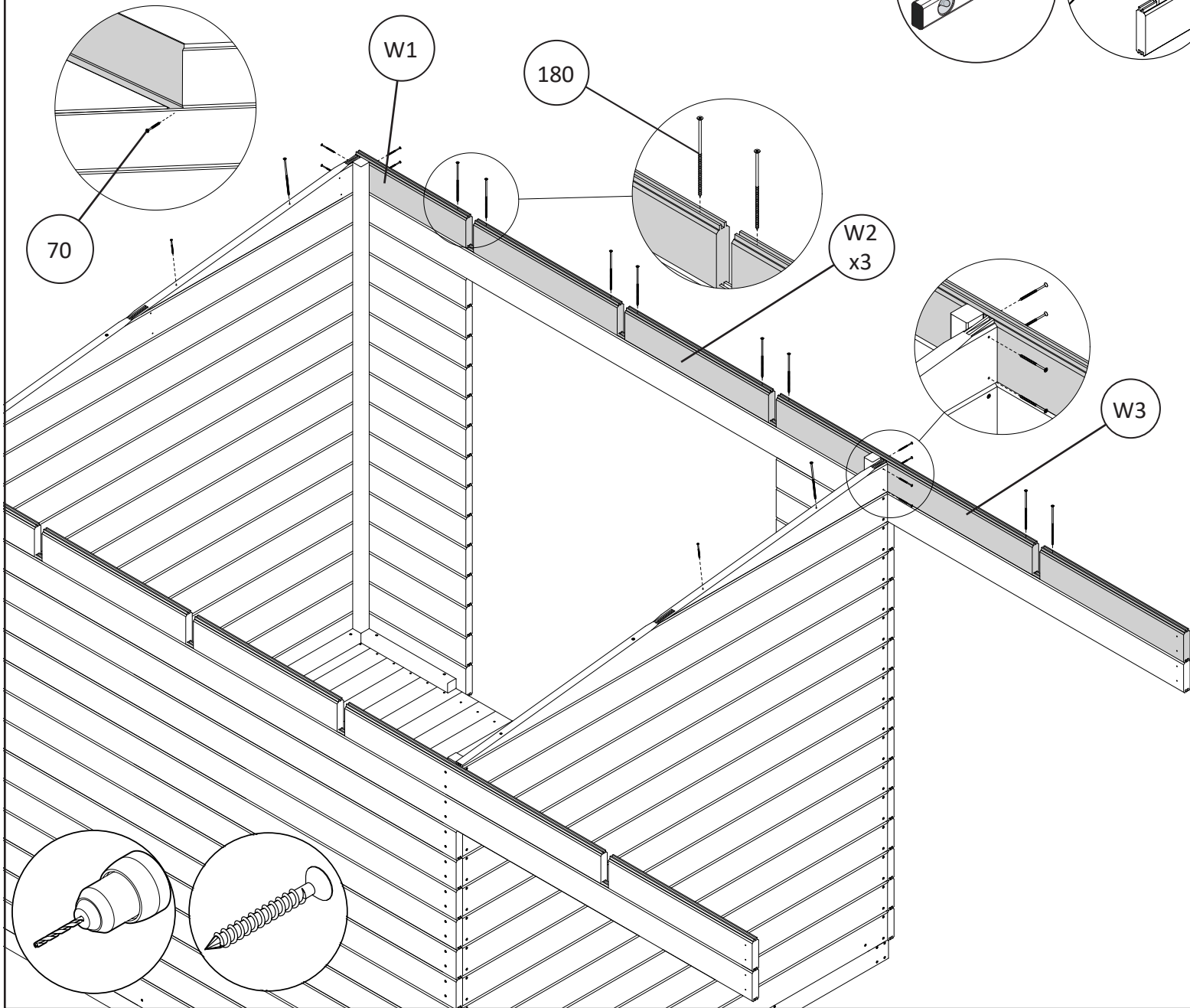
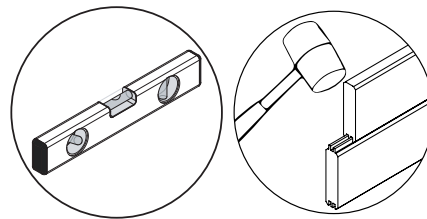
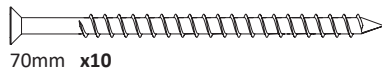
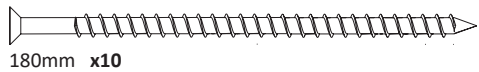


70mm x8

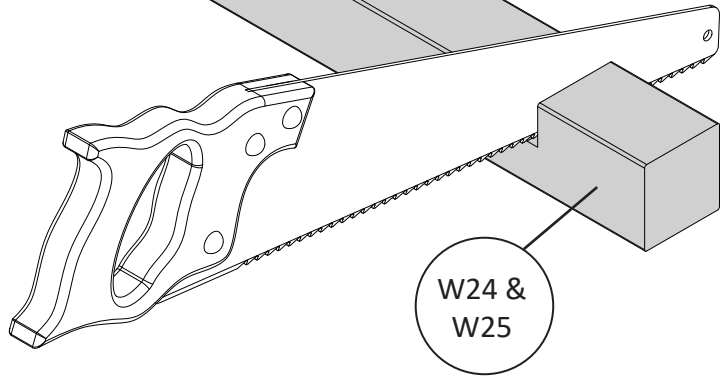
11



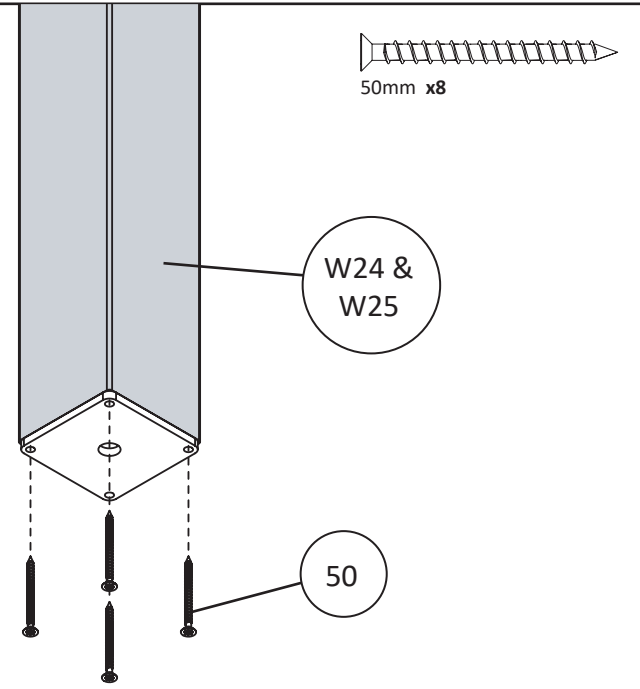
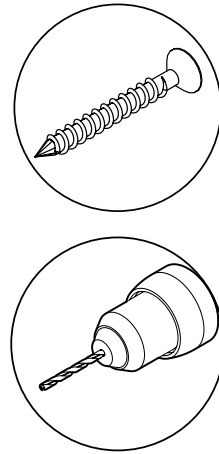
12



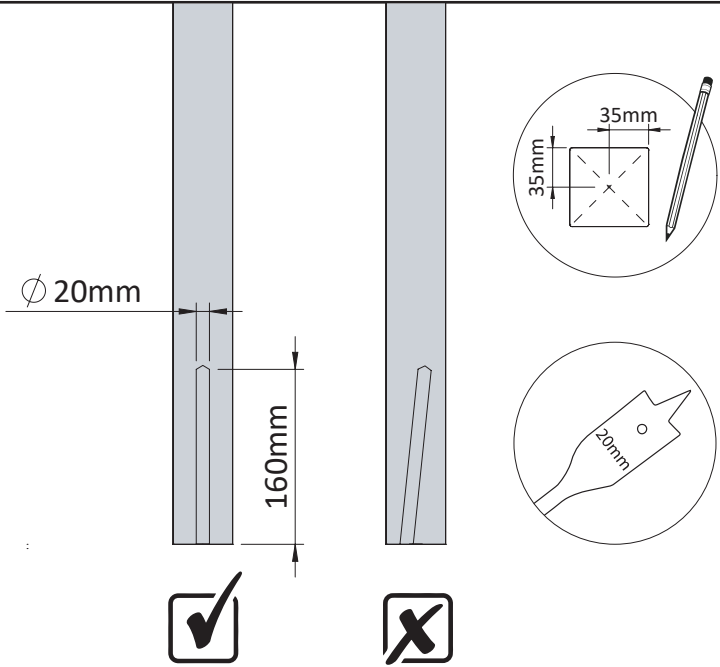
13



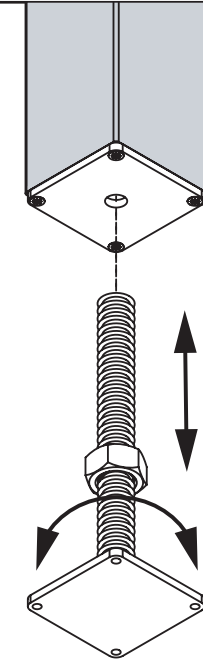
A



C



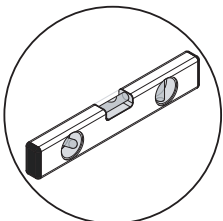
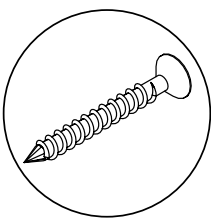
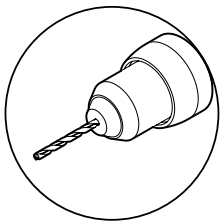
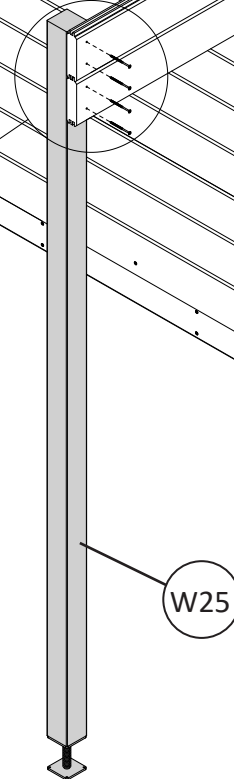
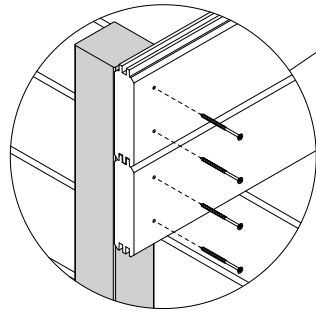
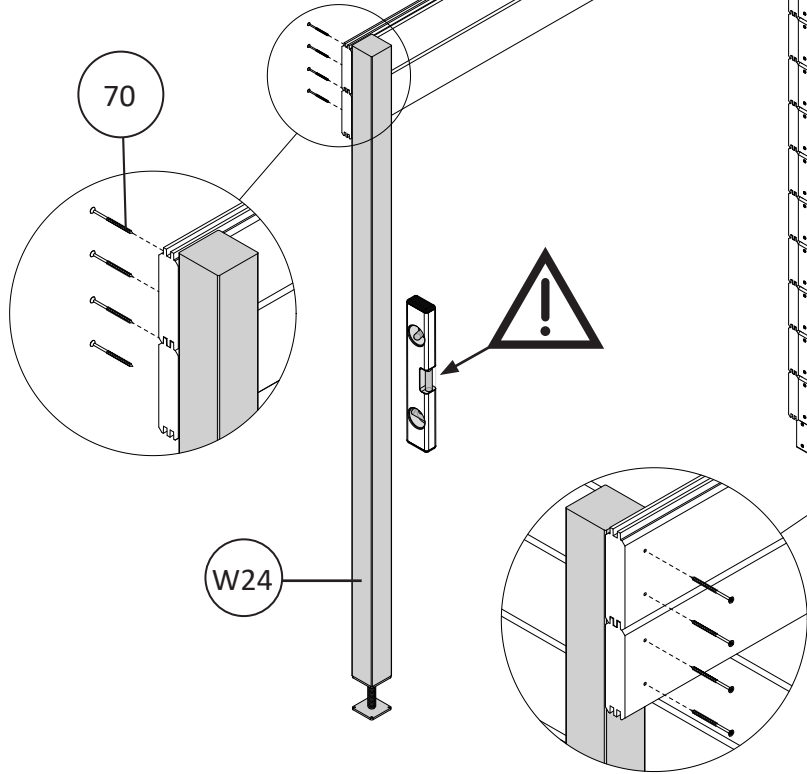
B



D

14

70mm x8



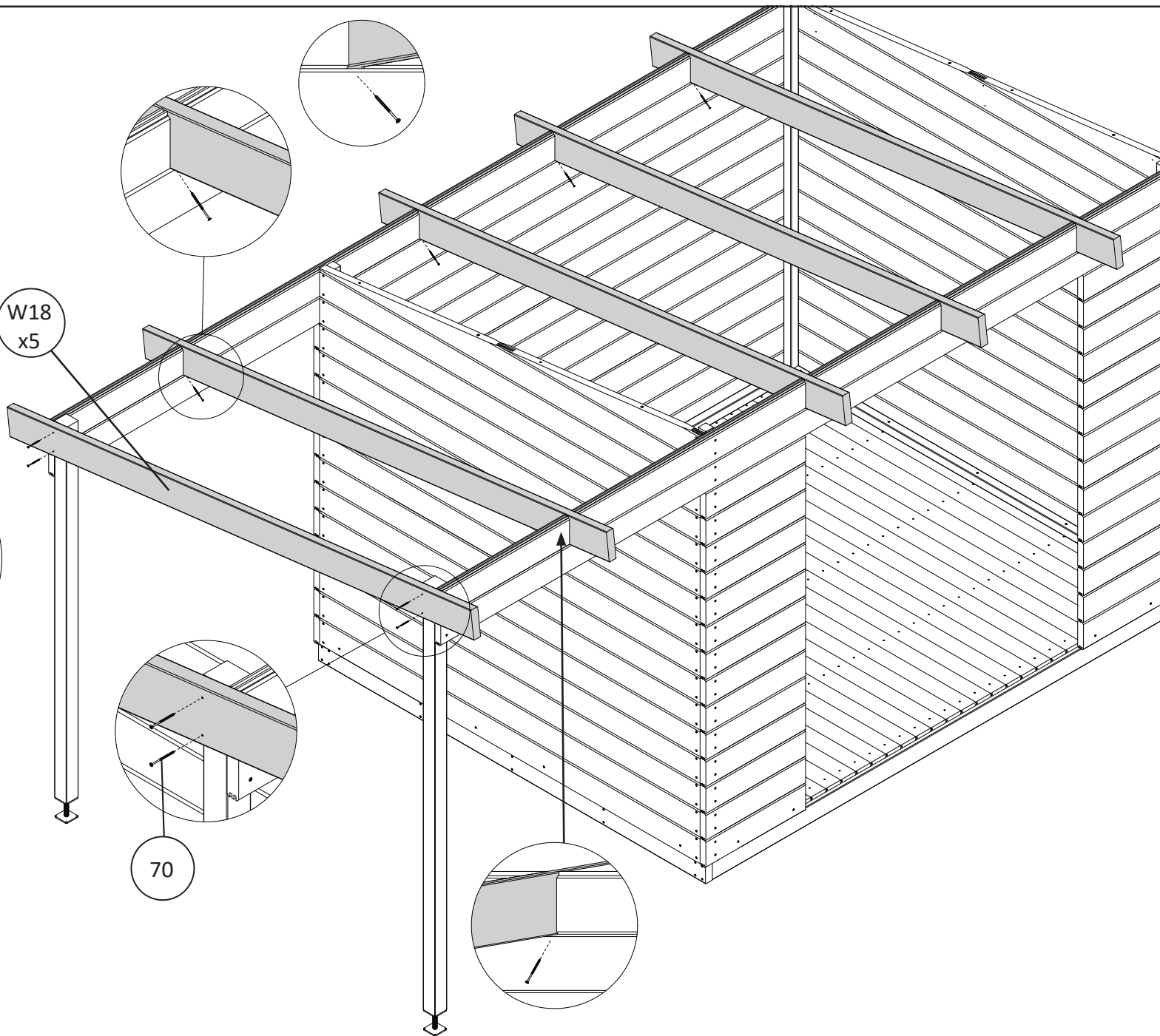
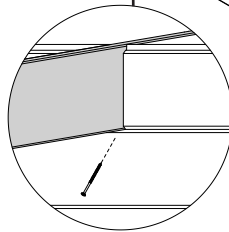
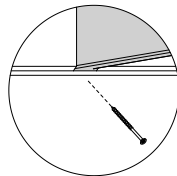
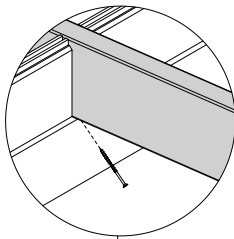
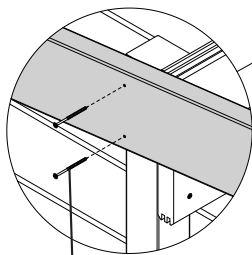
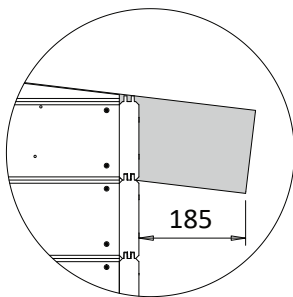
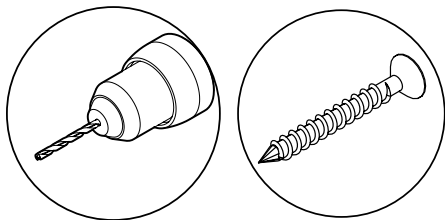
15

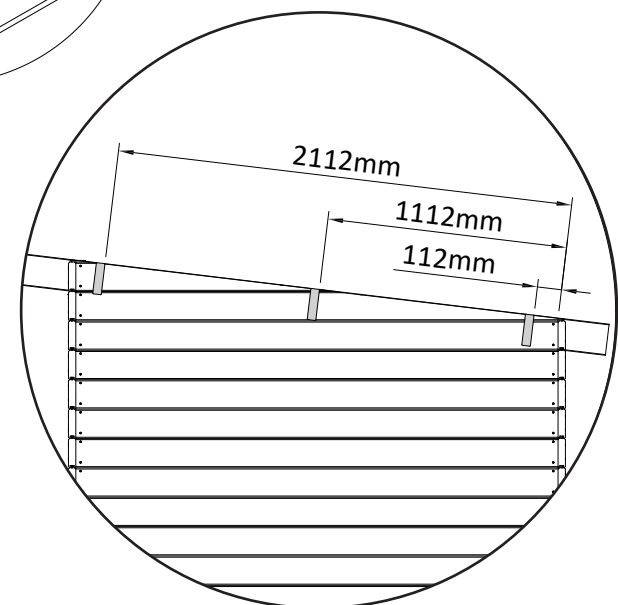
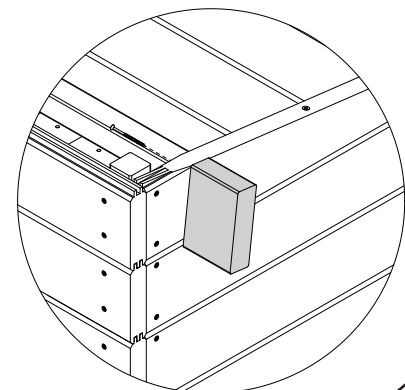
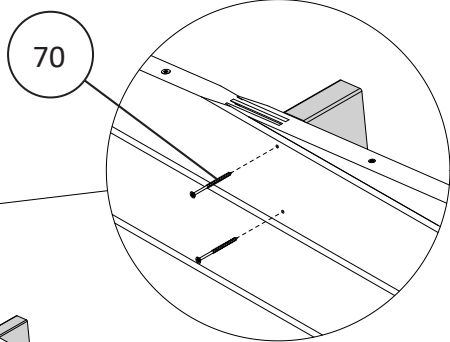
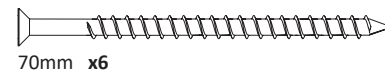
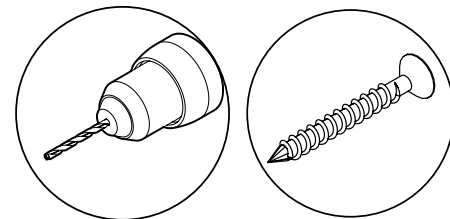
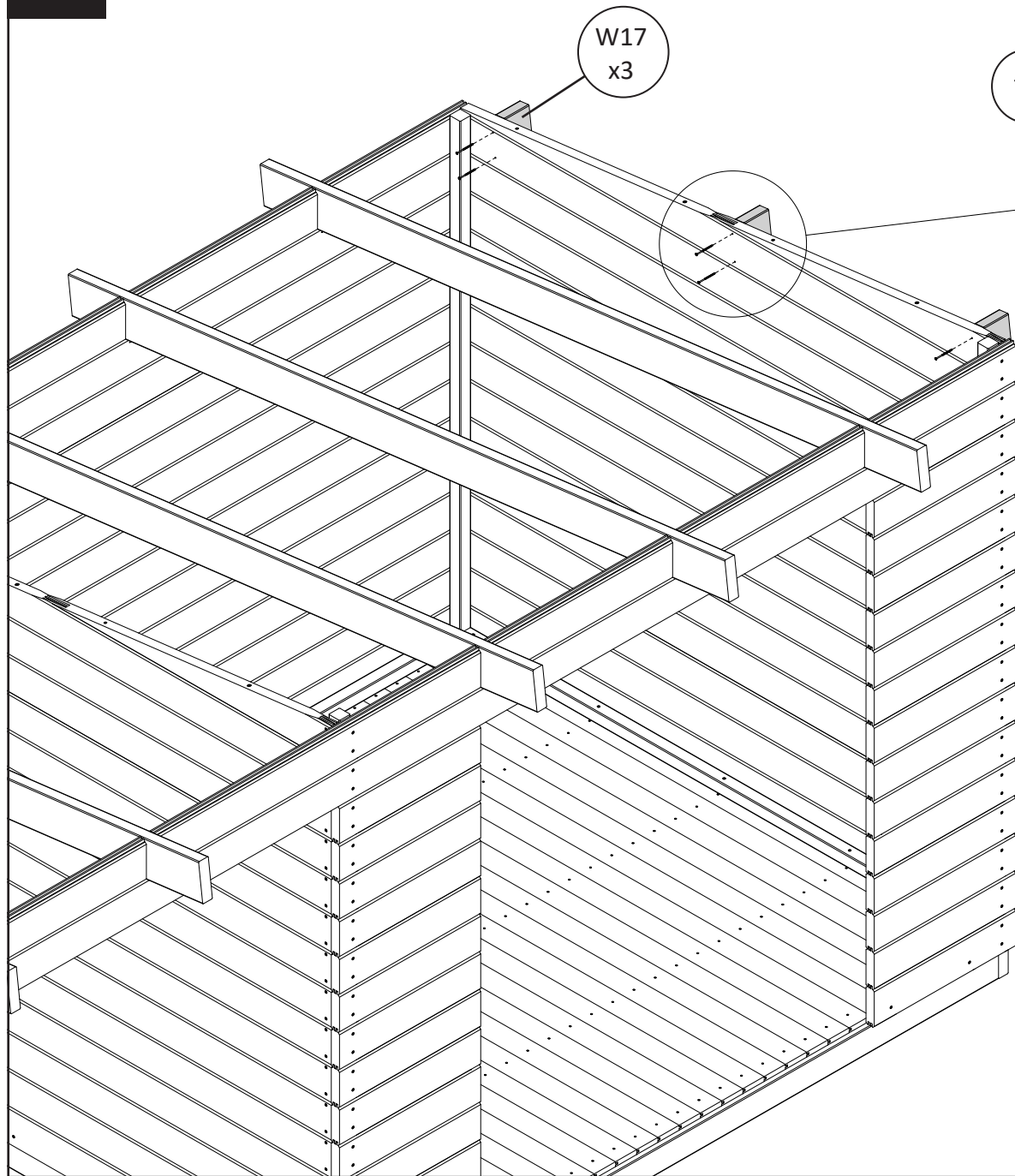
70mm x12

W18
x5

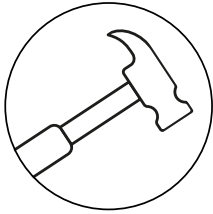
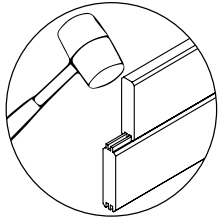
70

185



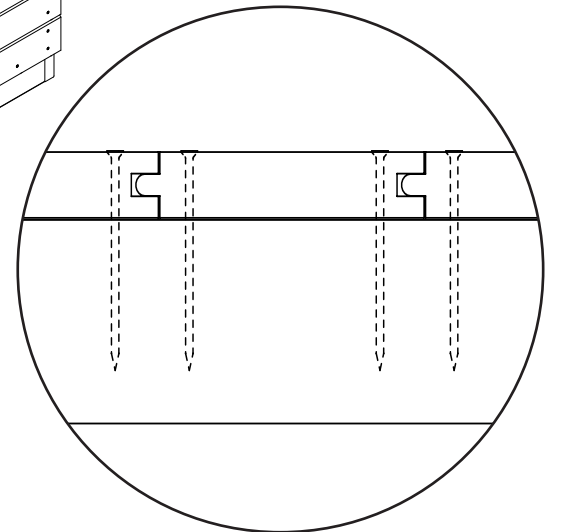
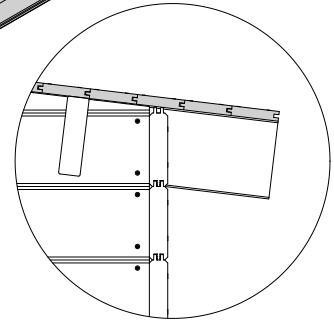
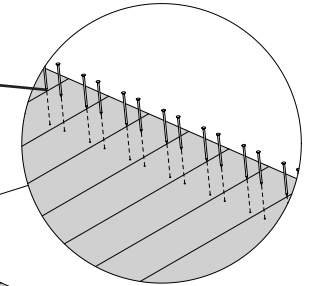


17



W16
x31

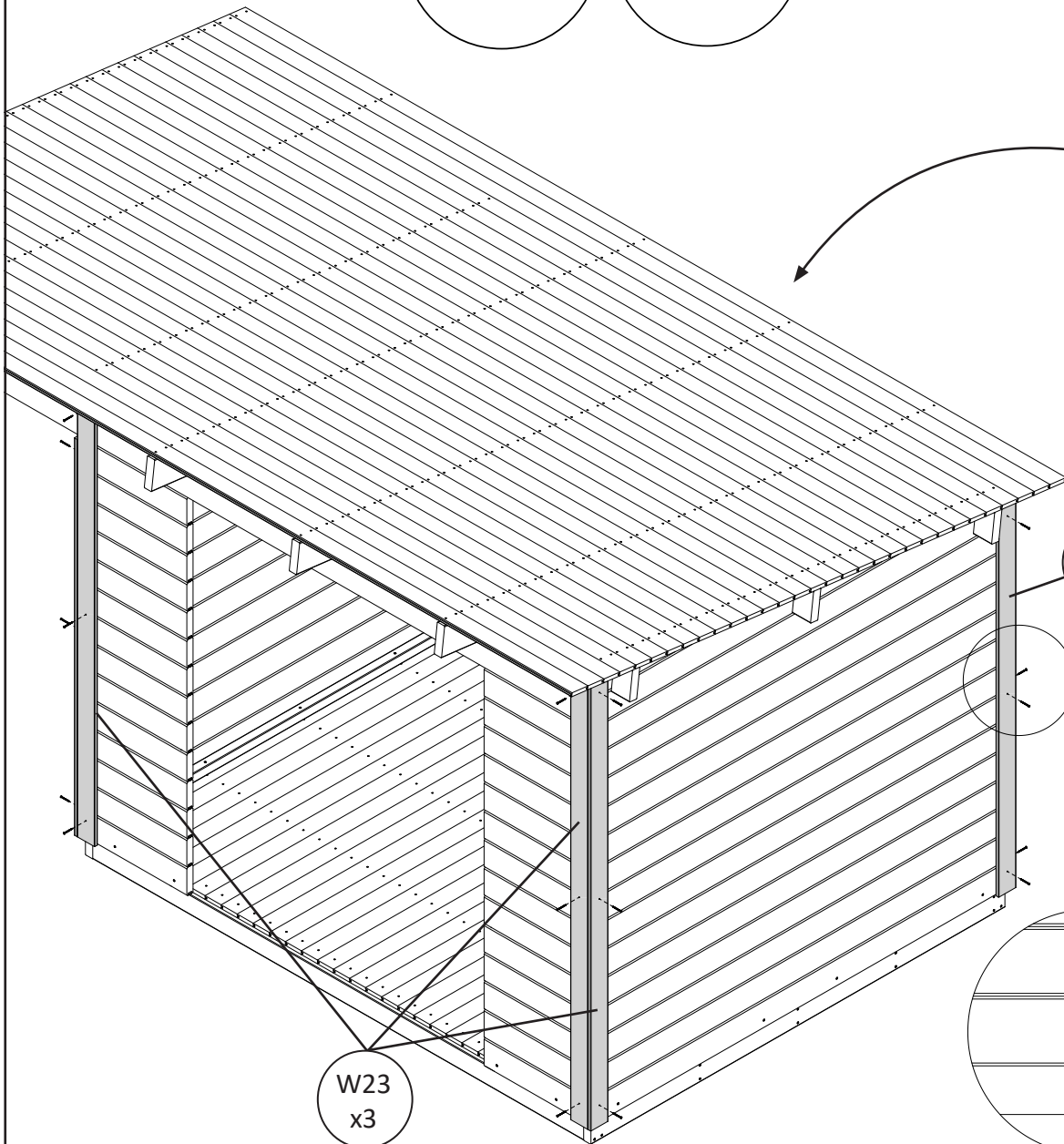
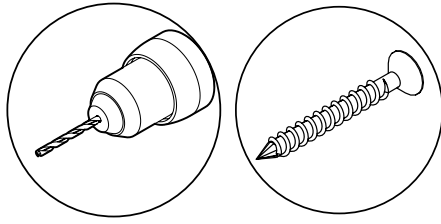
Pin



Pin x410

18

50mm x24

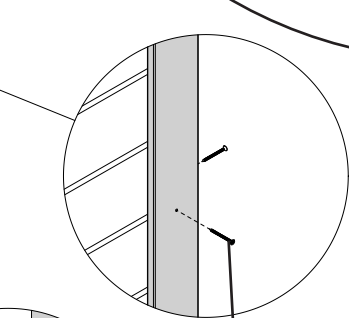


W22

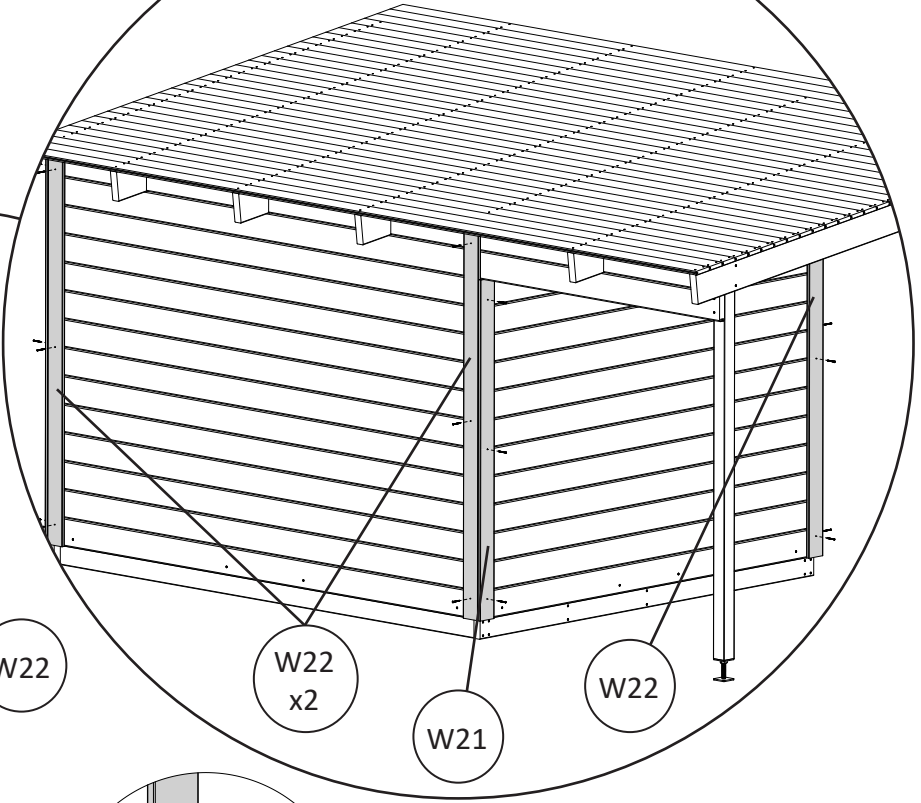
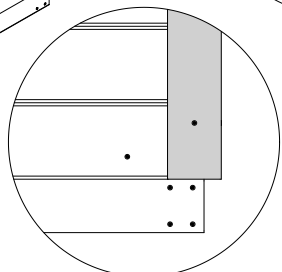
W22
x2

W21

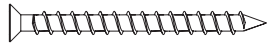
W22



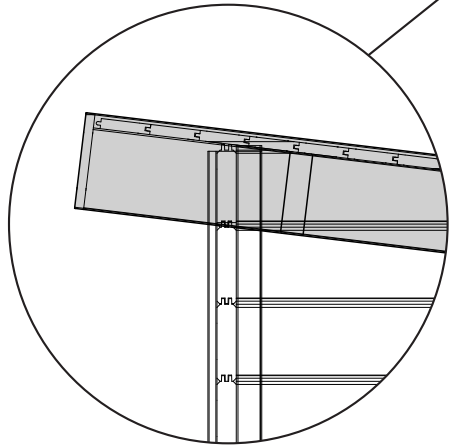
50



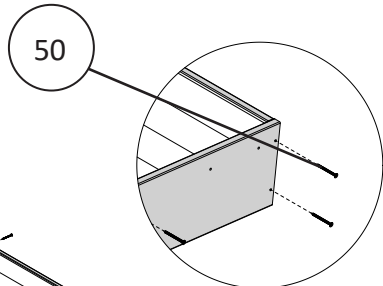
19



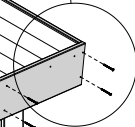
50mm x30



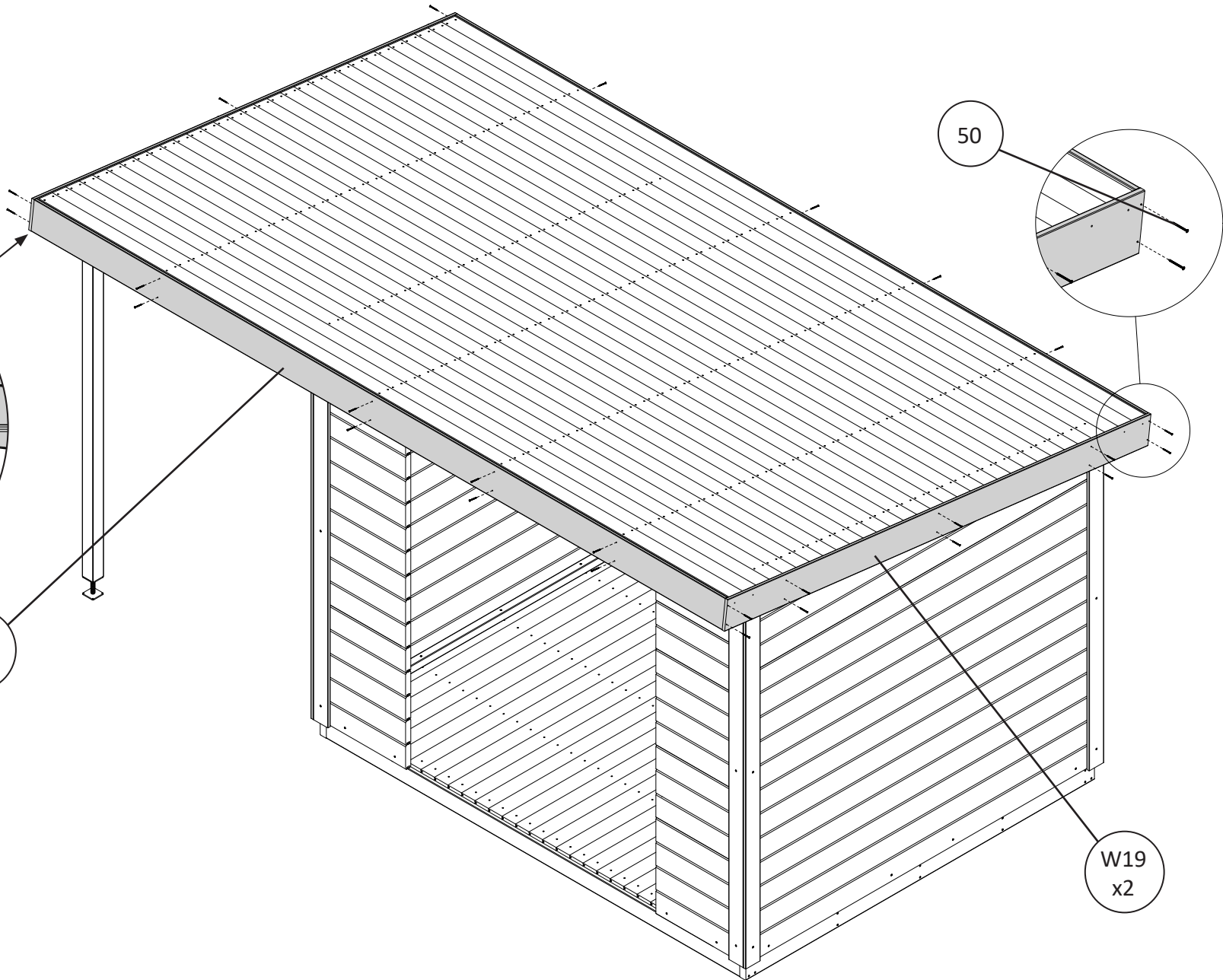
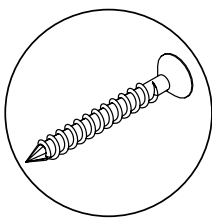
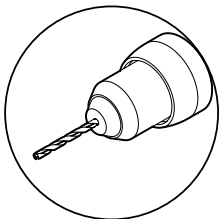
W20
x2



50



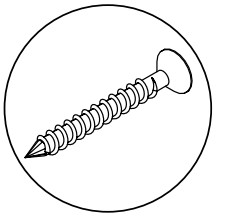
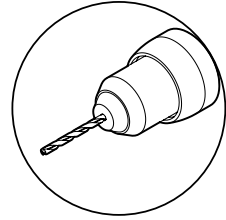
W19
x2



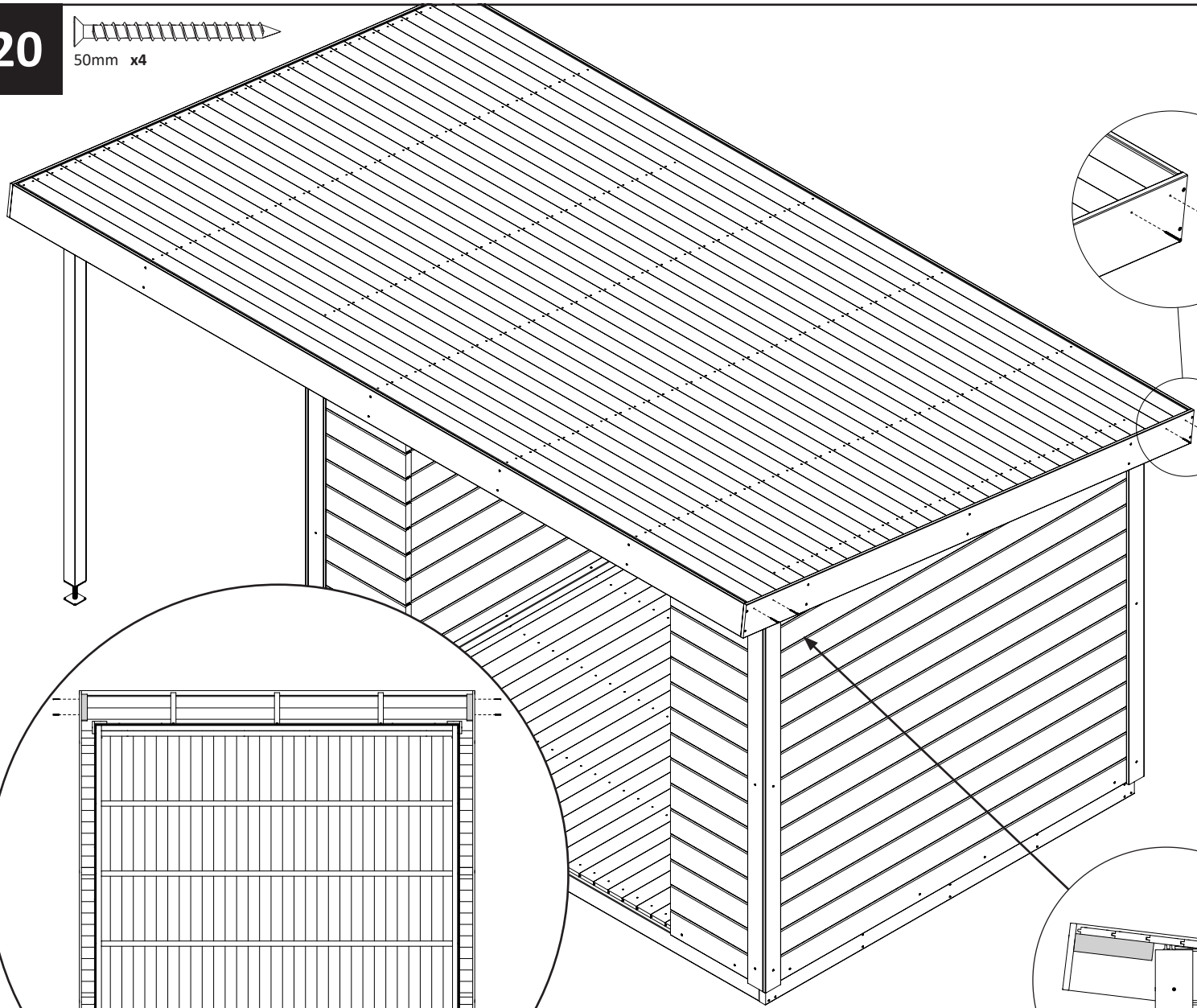
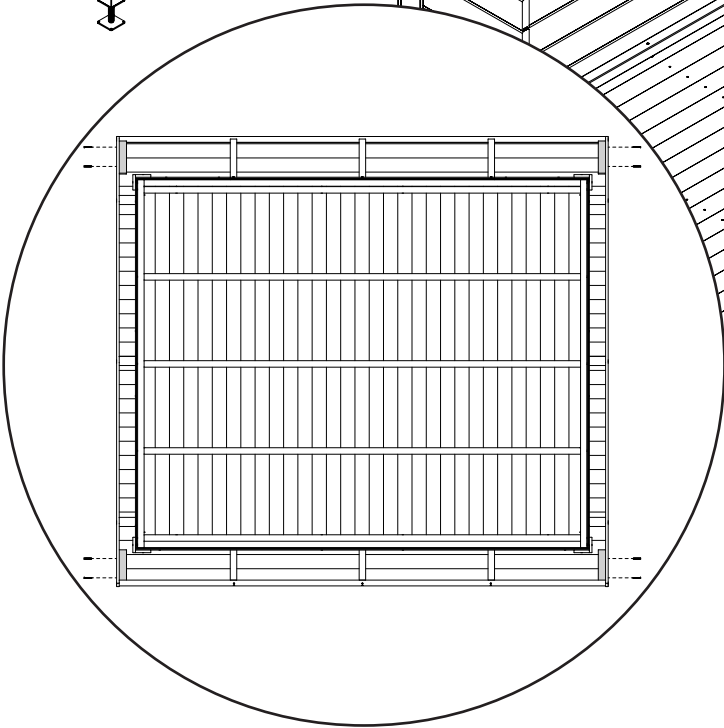
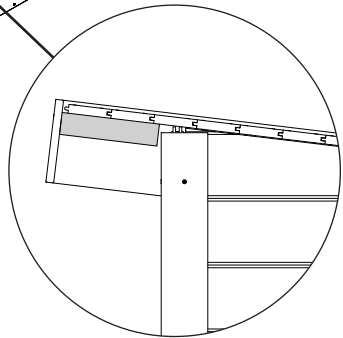
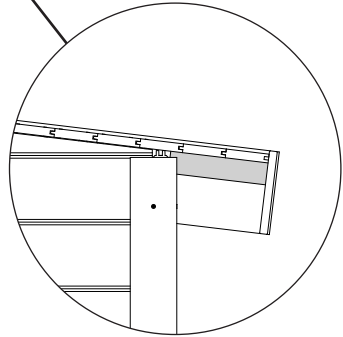
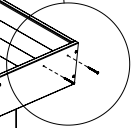
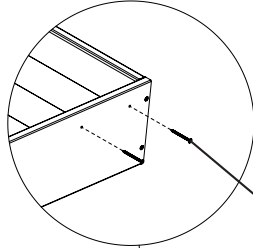
20



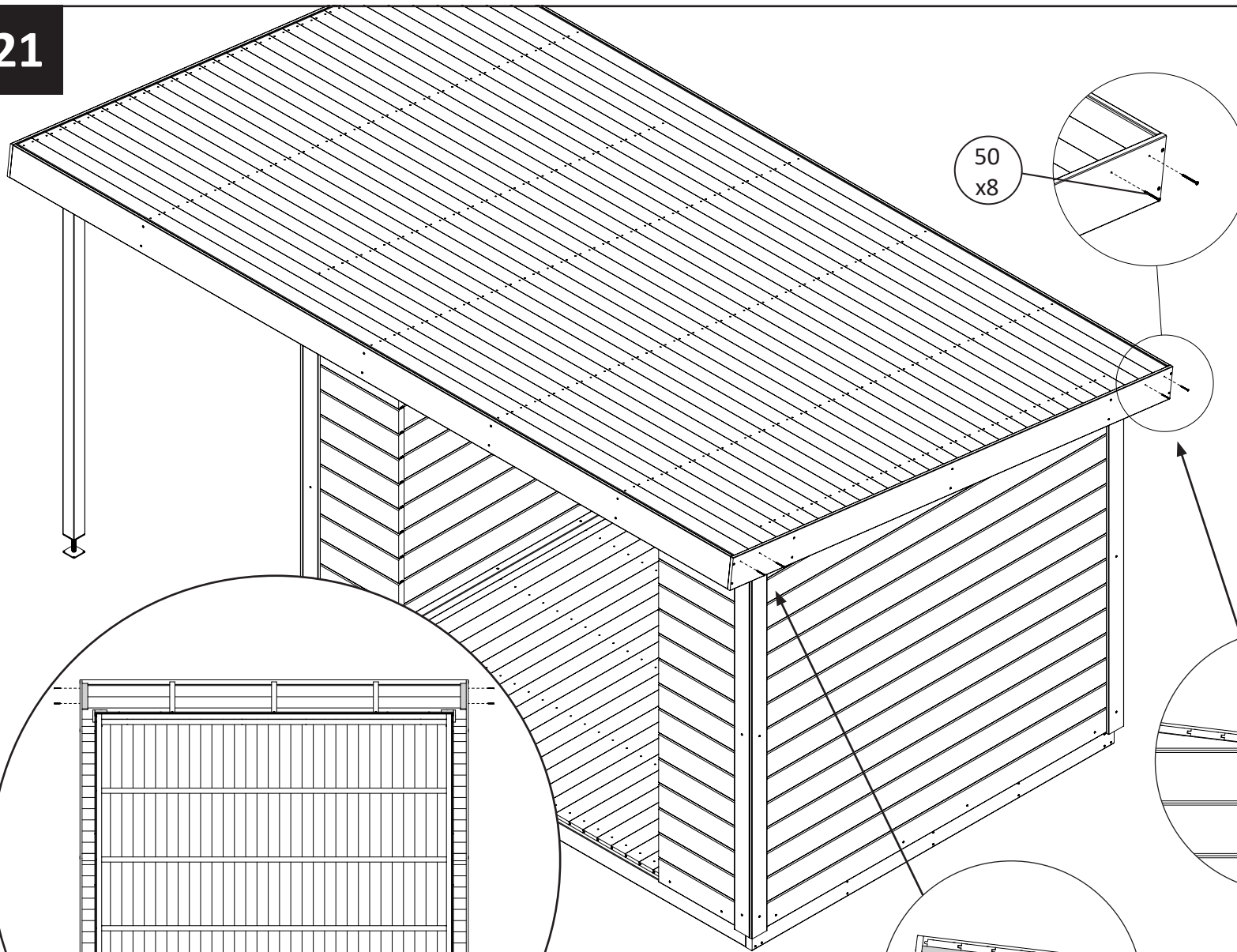
50mm x4



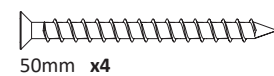
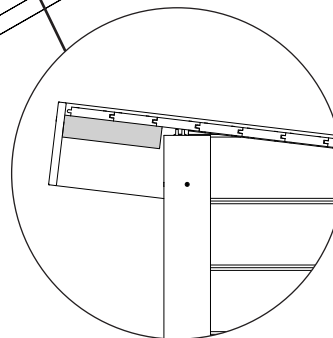
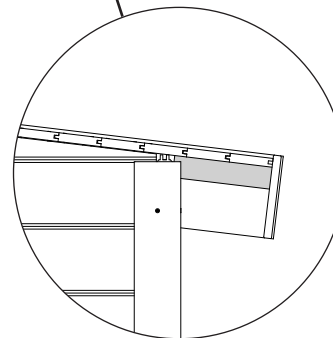
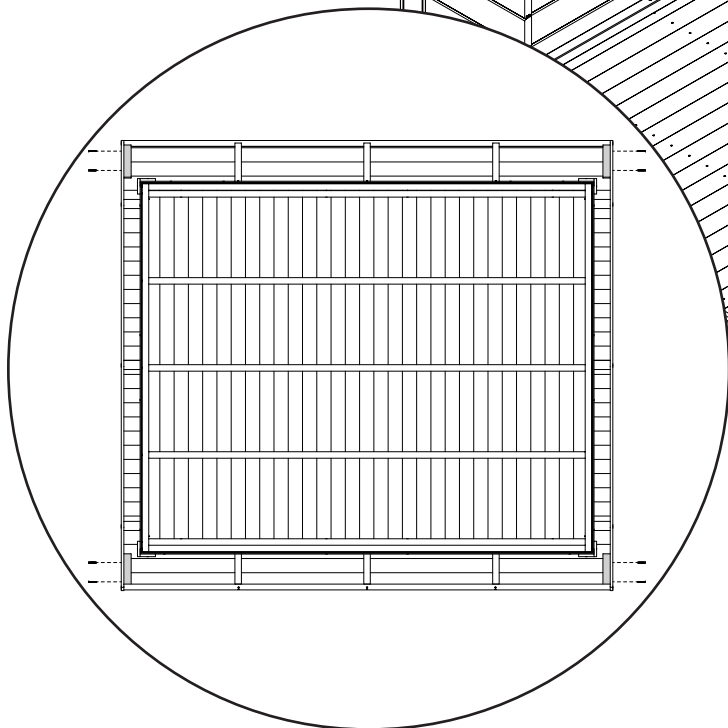
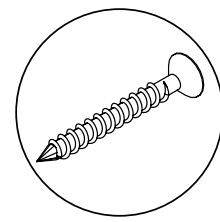
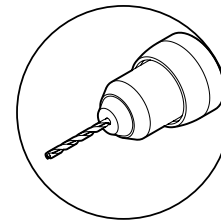
50
x8

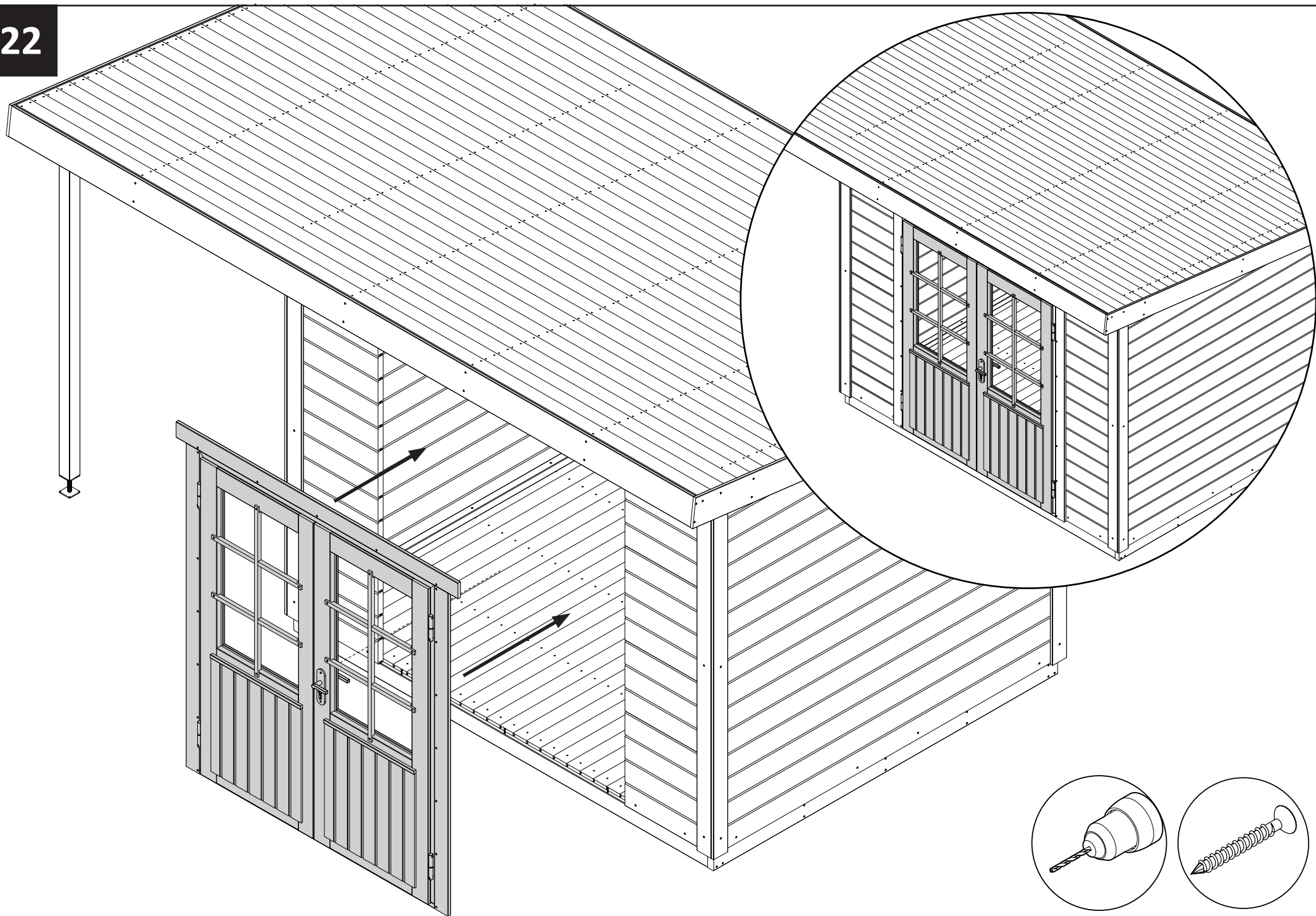


21

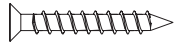


50
x8





23



30mm x19



50mm x8

