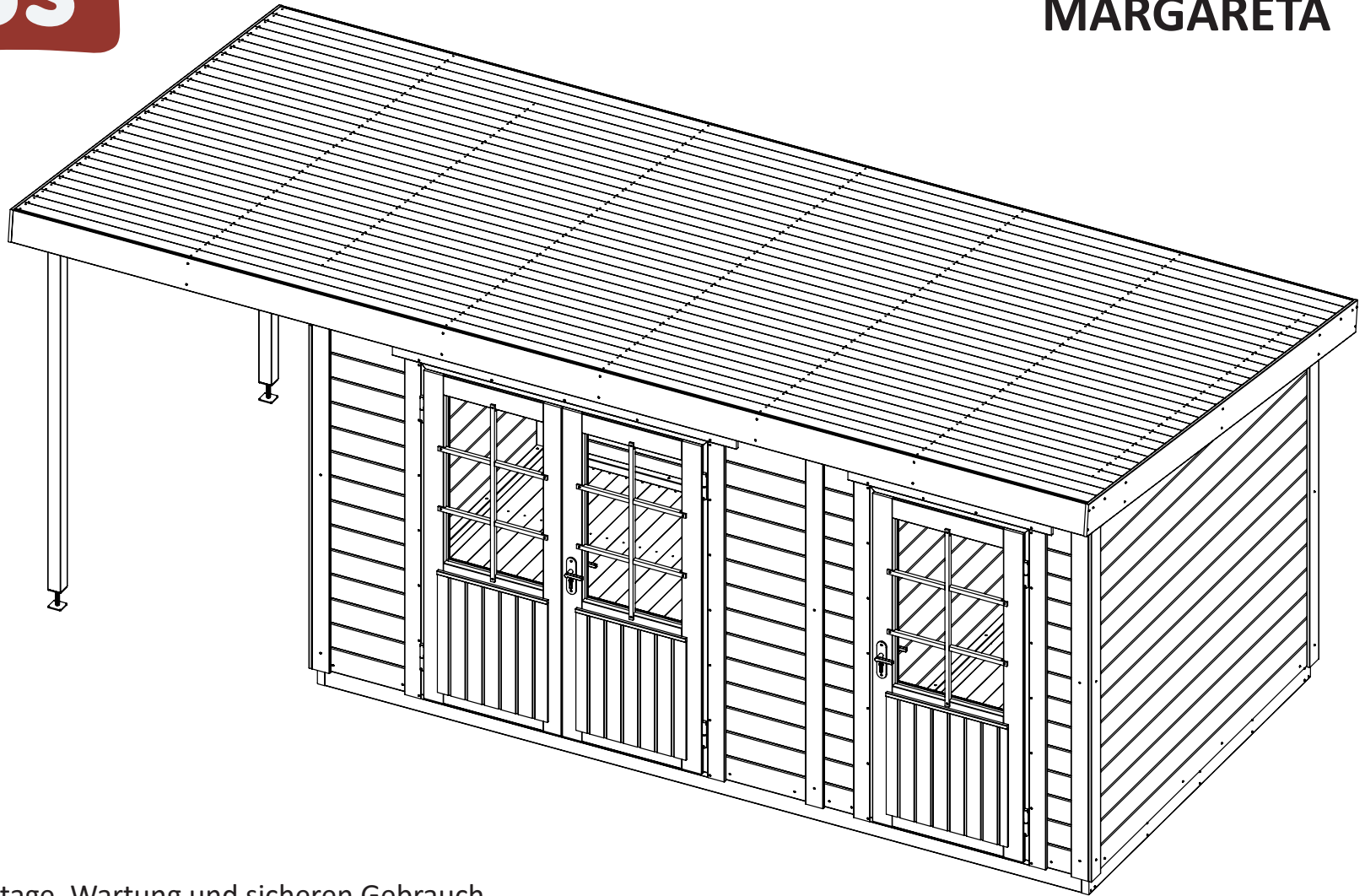


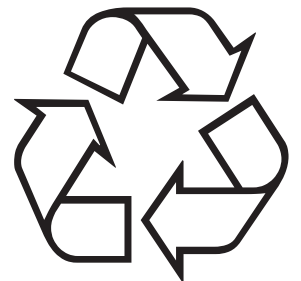
# Polhus

F4318/34-Margareta  
**MARGARETA**

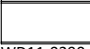




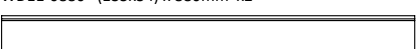

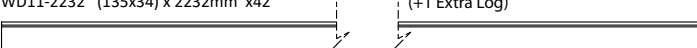
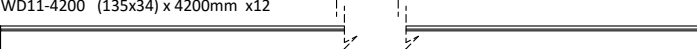
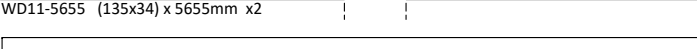
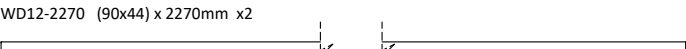
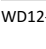
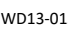
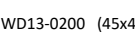
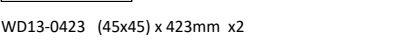


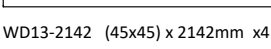




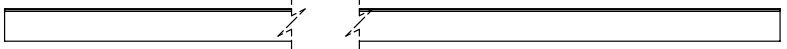
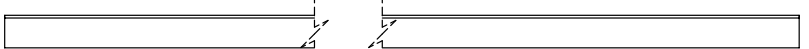
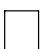
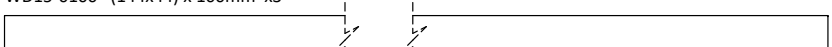
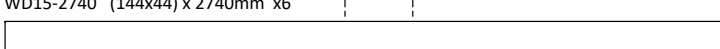
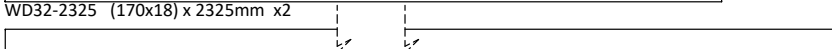
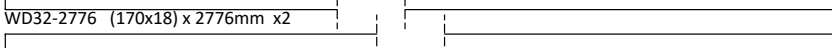
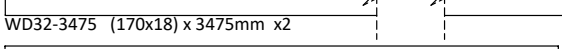

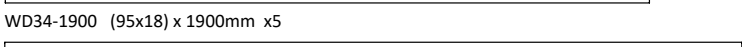
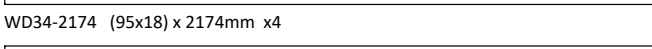


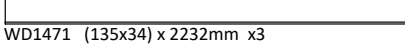
DE - Anweisungen für Montage, Wartung und sicheren Gebrauch.  
EN - Instructions for assembly, maintenance and safe use.  
FR - Instructions de montage, d'entretien et d'utilisation en toute sécurité.  
NL - Instructies voor montage, onderhoud en veilig gebruik.  
CZ - Pokyny pro montáž, údržbu a bezpečné použití.  
SK - Návod na montáž, údržbu a bezpečné používanie.  
SWE - Monteringsanvisning


**Polhus**  
Polhus Aktiebolag  
Djäknegatan 31  
211 35 Malmö  
<https://www.polhus.com/>





Issue - C 23/01/2024


- W1  WD11-0290 (135x34) x 290mm x14
- W2  WD11-0562 (135x34) x 562mm x14
- W3  WD11-0808 (135x34) x 808mm x8
- W4  WD11-0783 (135x34) x 783mm x14
- W5  WD11-0880 (135x34) x 880mm x2
- W6  WD11-1340 (135x34) x 1340mm x2
- W7  WD11-2232 (135x34) x 2232mm x42 (+1 Extra Log)
- W8  WD11-4200 (135x34) x 4200mm x12
- W9  WD11-5655 (135x34) x 5655mm x2
- W10  WD12-2270 (90x44) x 2270mm x2
- W11  WD12-4092 (90x44) x 4092mm x7
- W12  WD13-0150 (45x45) x 150mm x2
- W13  WD13-0200 (45x45) x 200mm x2
- W14  WD13-0423 (45x45) x 423mm x2
- W15  WD13-1342 (45x45) x 1342mm x1
- W16  WD13-1894 (45x45) x 1894mm x4
- W17  WD13-2142 (45x45) x 2142mm x4
- W18  WD13-2166 (45x45) x 2166mm x4
- W19  WD13-2576 (45x45) x 2576mm x1

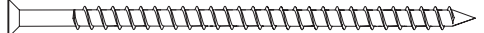
- W20  WD14-2230 (88x18) x 2230mm x48
- W21  WD14-2325 (88x18) x 2325mm x32
- W22  WD14-3475 (88x18) x 3475mm x31
- W23  WD15-0100 (144x44) x 100mm x3
- W24  WD15-2740 (144x44) x 2740mm x6
- W25  WD32-2325 (170x18) x 2325mm x2
- W26  WD32-2776 (170x18) x 2776mm x2
- W27  WD32-3475 (170x18) x 3475mm x2
- W28  WD34-1632 (95x18) x 1632mm x1
- W29  WD34-1900 (95x18) x 1900mm x5
- W30  WD34-2174 (95x18) x 2174mm x4
- W31  WD36-2212 (85x85) x 2212mm x1
- W32  WD36-1492 (85x85) x 1492mm x1
- W33  WD1471 (135x34) x 2232mm x3
- W34  WD1472 (135x34) x 1201mm x3

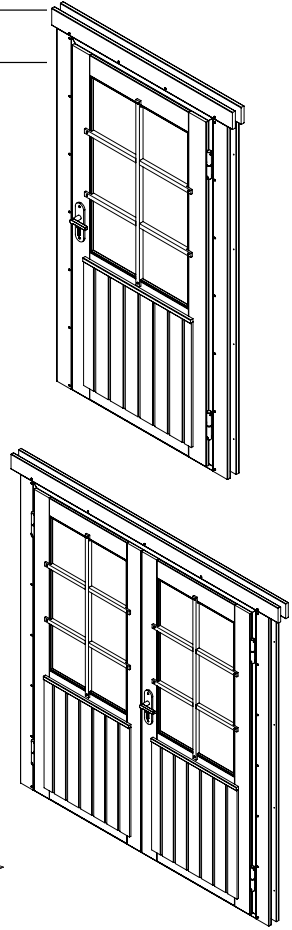
 Pin x764

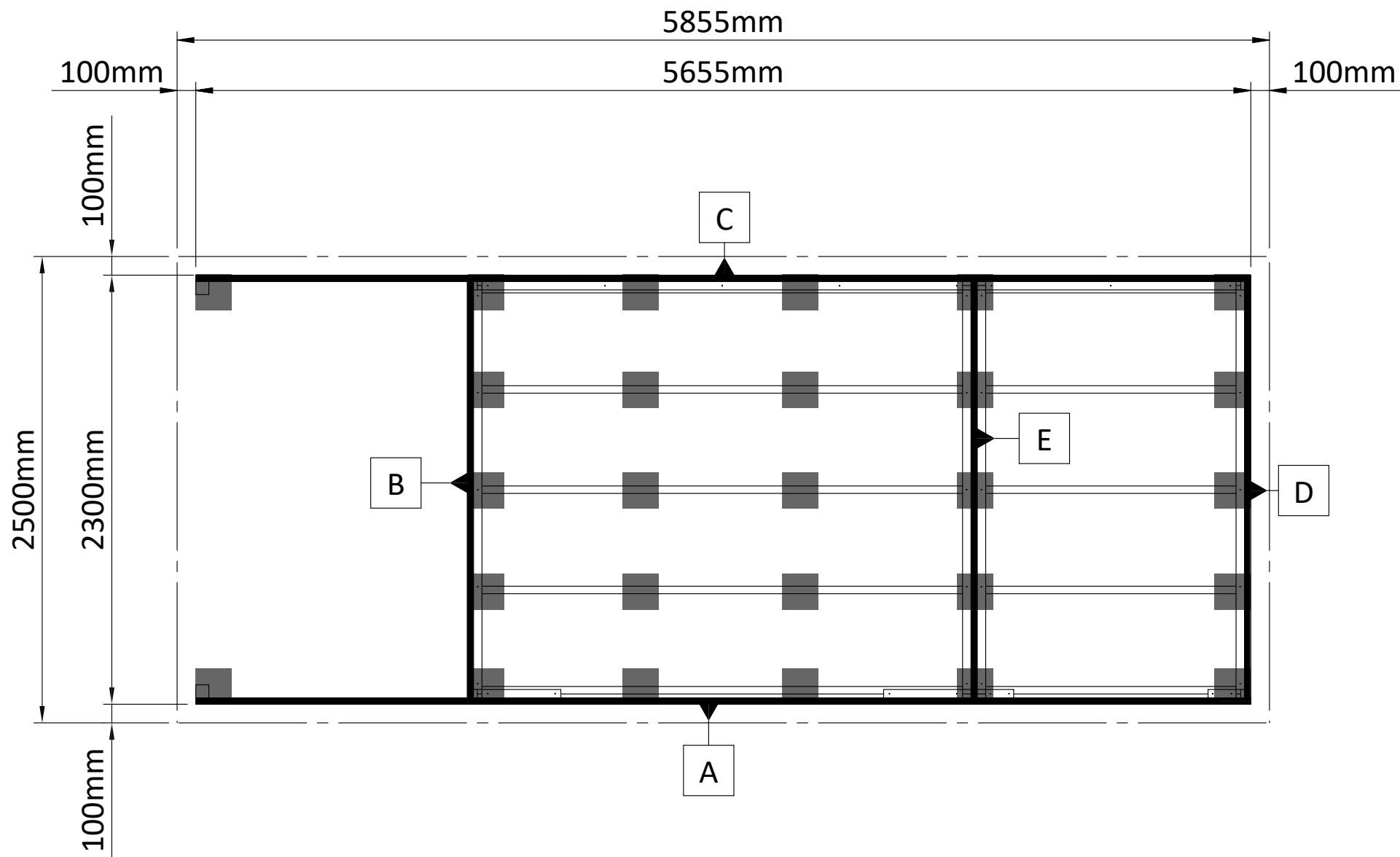
 50mm x98

 70mm x471

 80mm x28


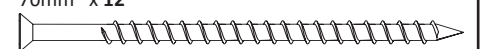
 180mm x136

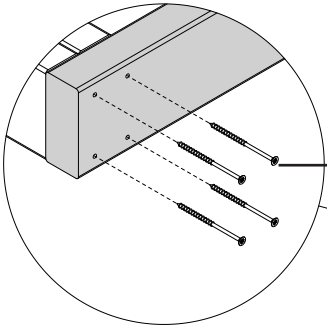
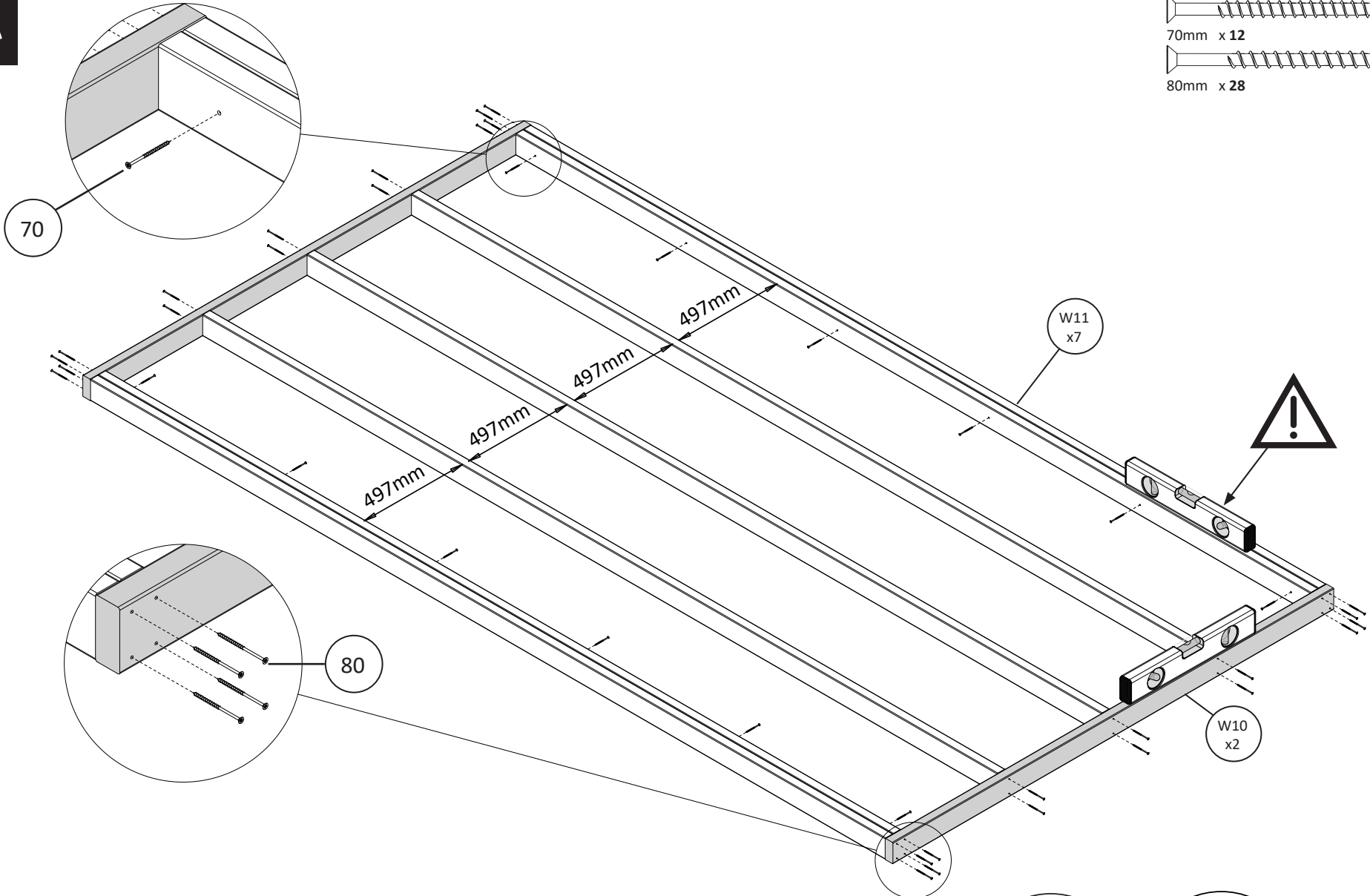




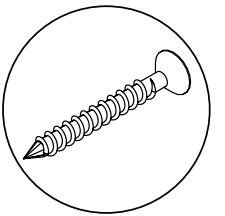
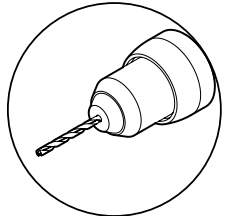
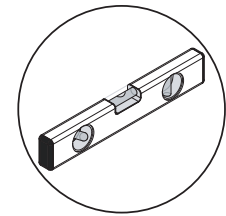
PLINTPLAN / FOUNDATION PLAN / BETONBLOCK / PLAN DE FONDATIONS

1A

-  70mm x 12
-  80mm x 28

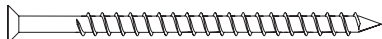
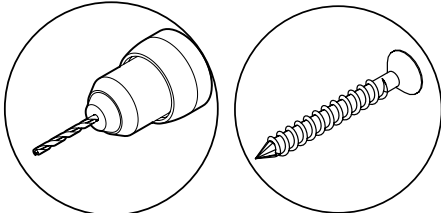
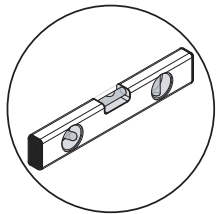
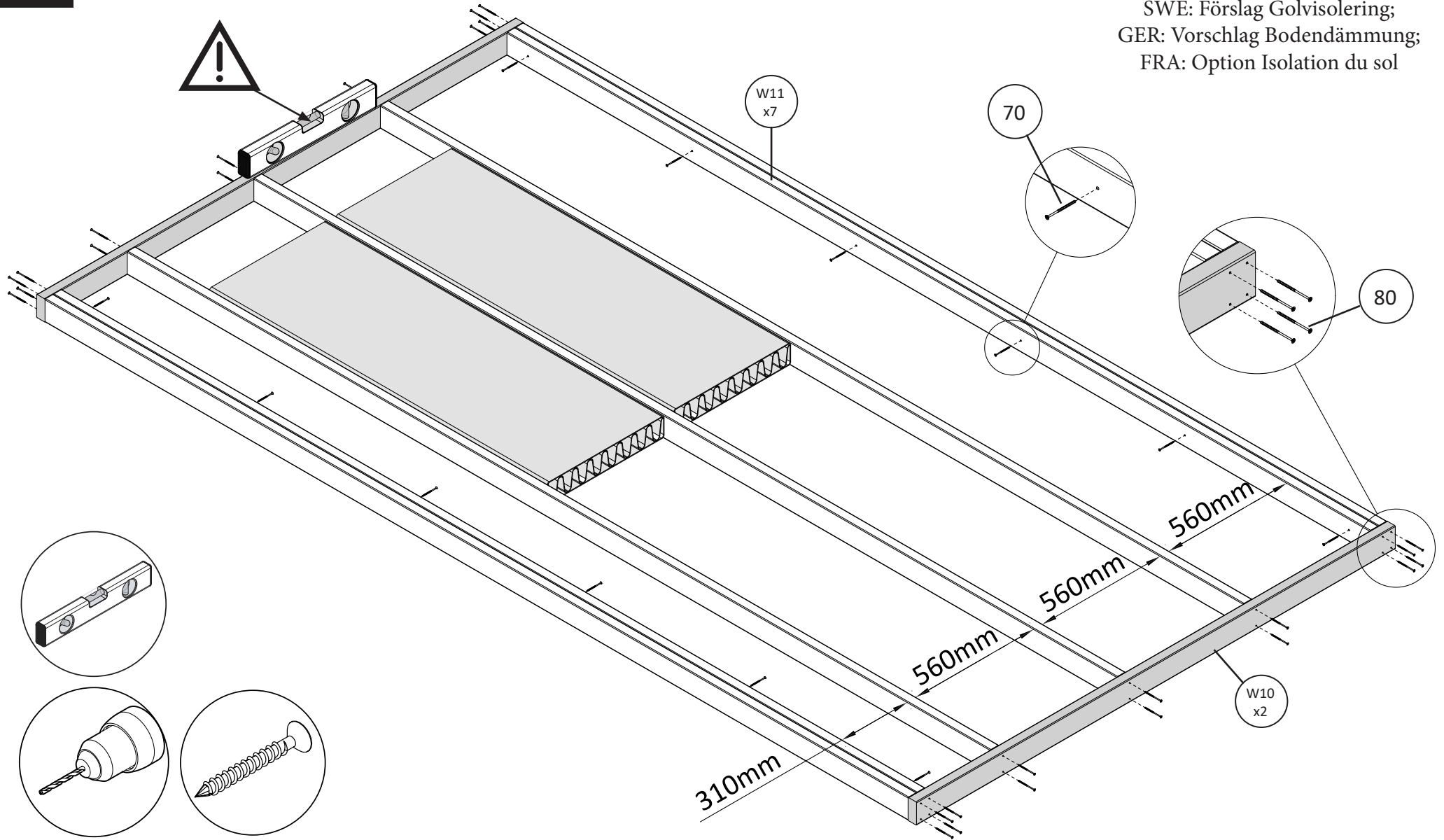


80



1B

ENG; Option Floor Insulation  
SWE: Förslag Golvisolering;  
GER: Vorschlag Bodendämmung;  
FRA: Option Isolation du sol

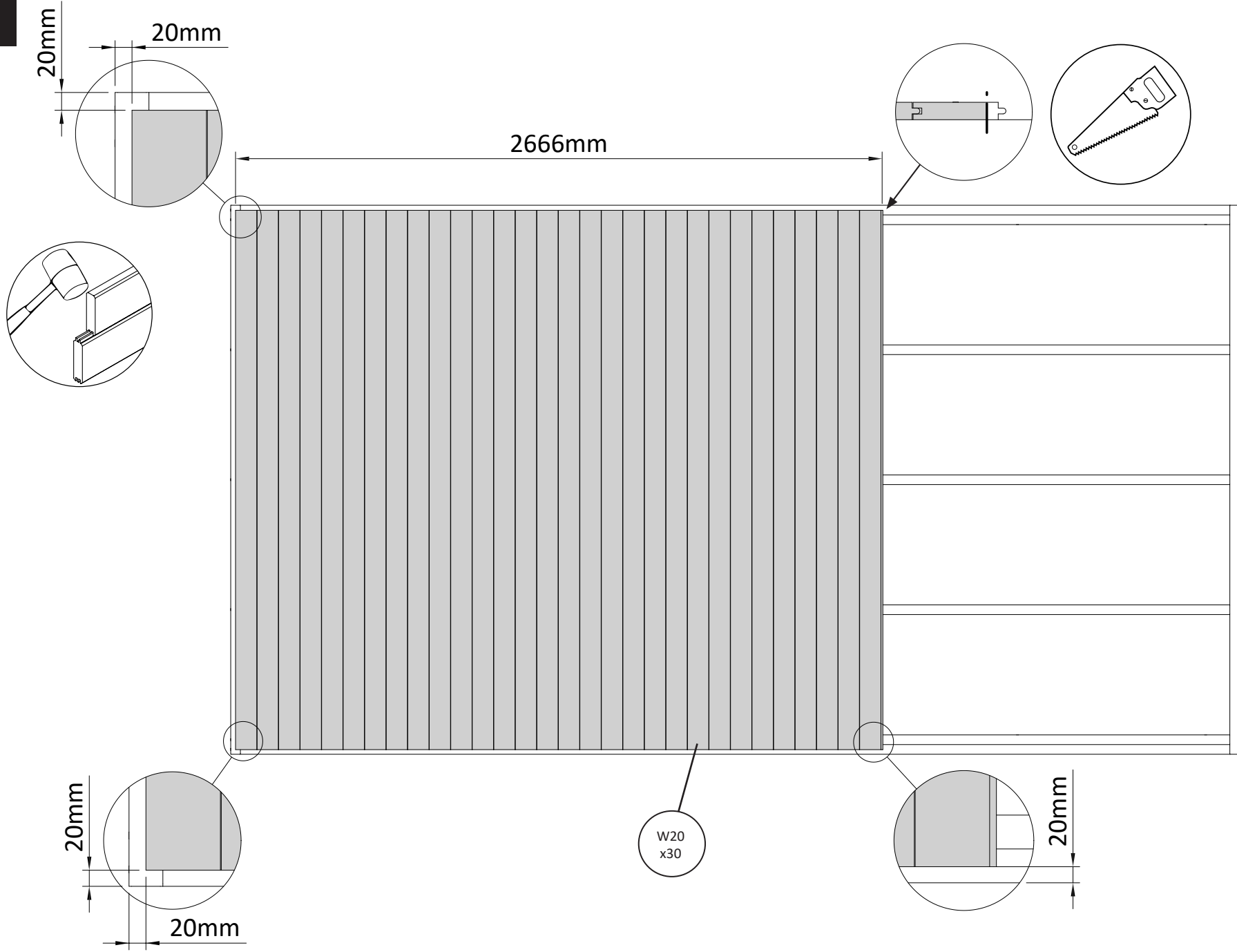


70mm x 12



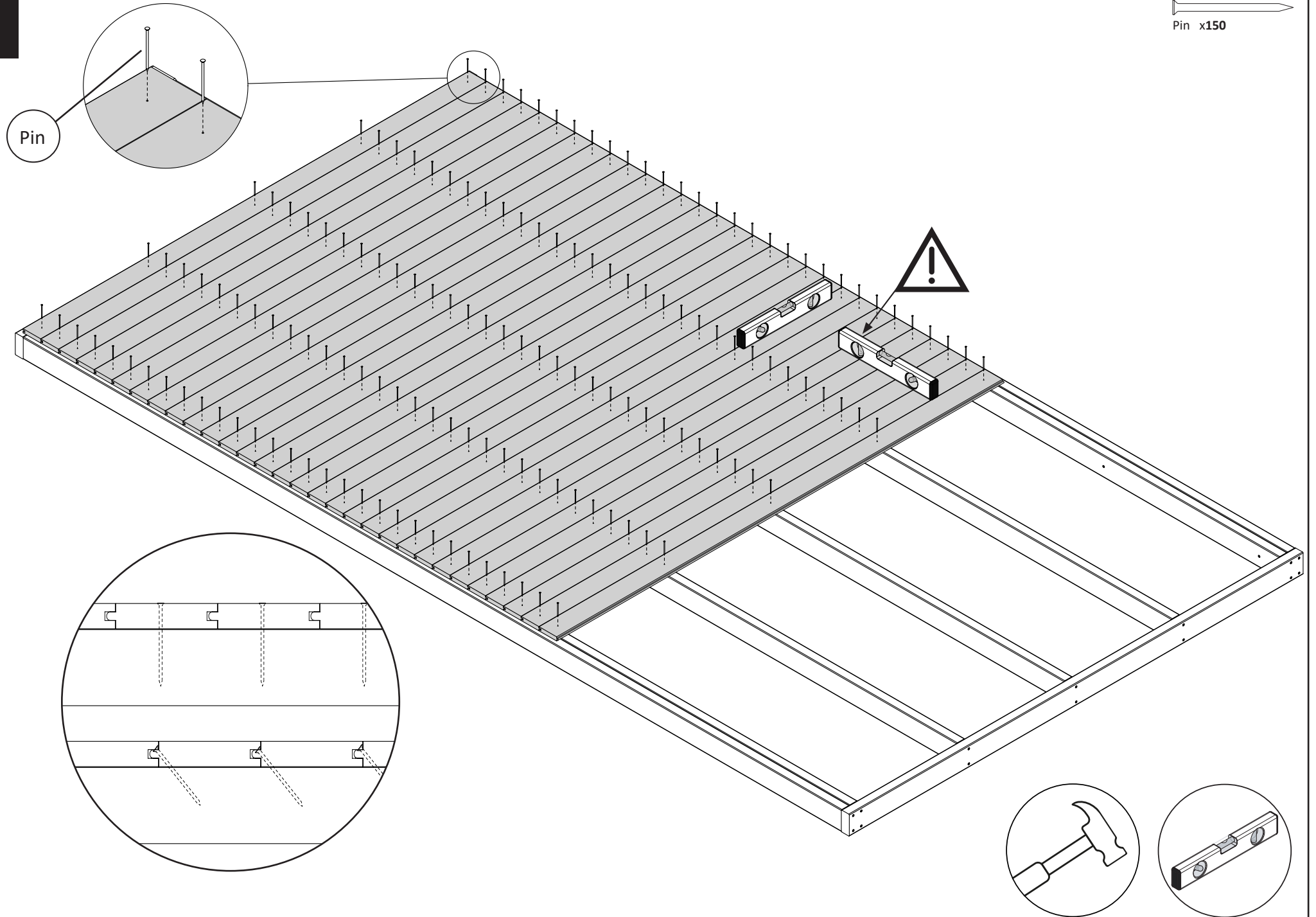
80mm x 28

2

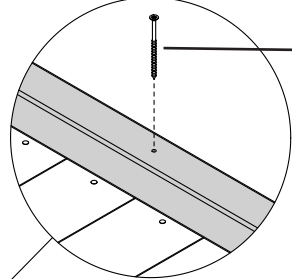
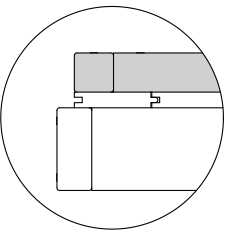
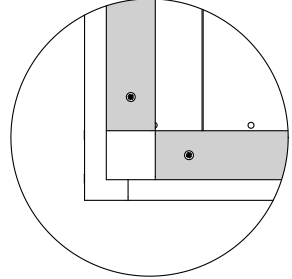
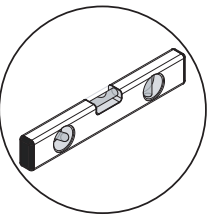
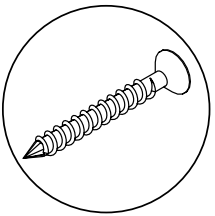
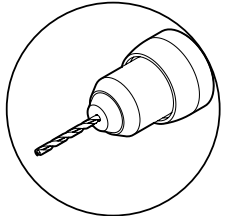
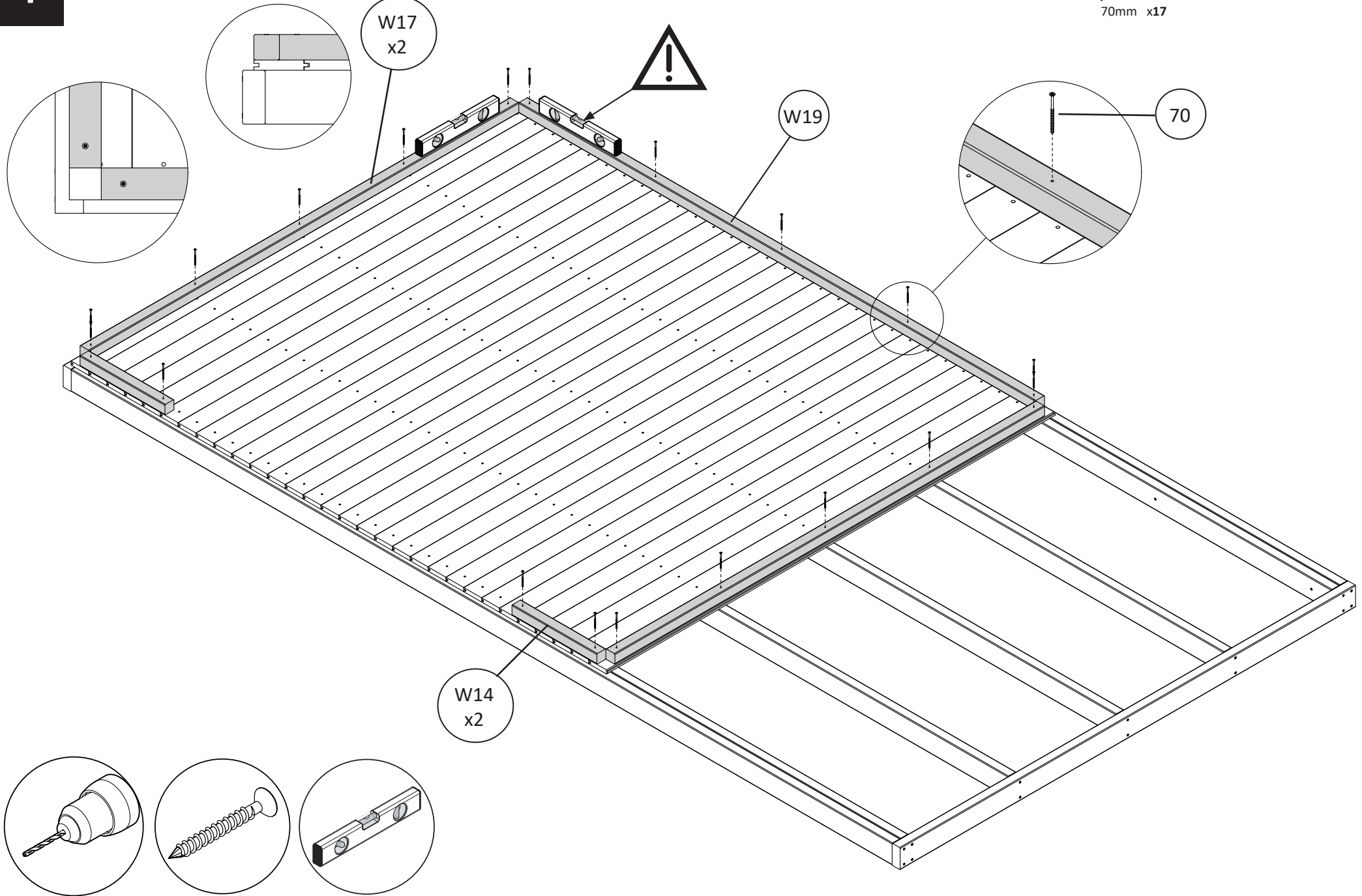
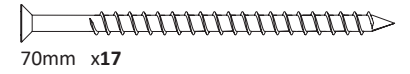


3

Pin x150

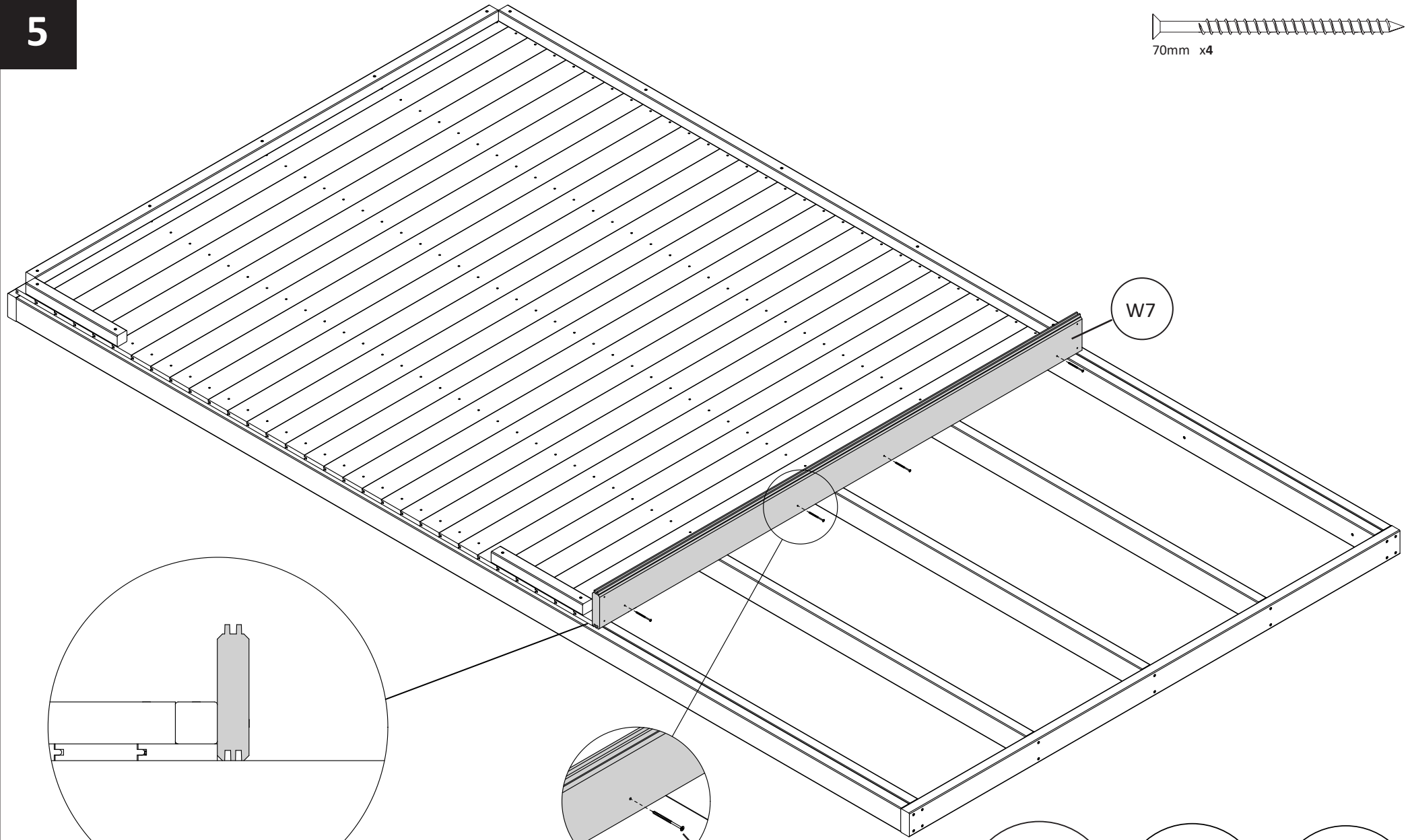
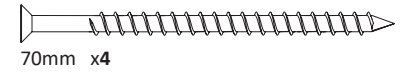


4



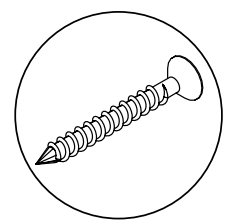
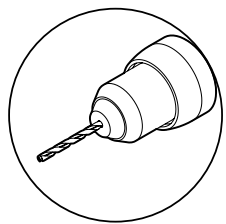
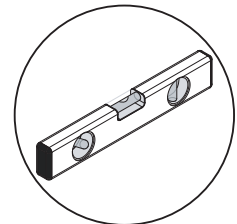
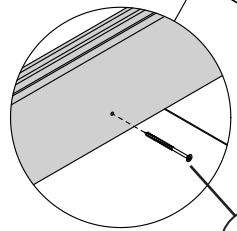
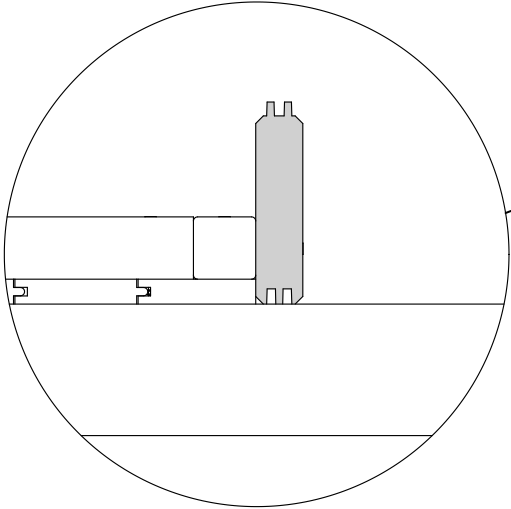


5

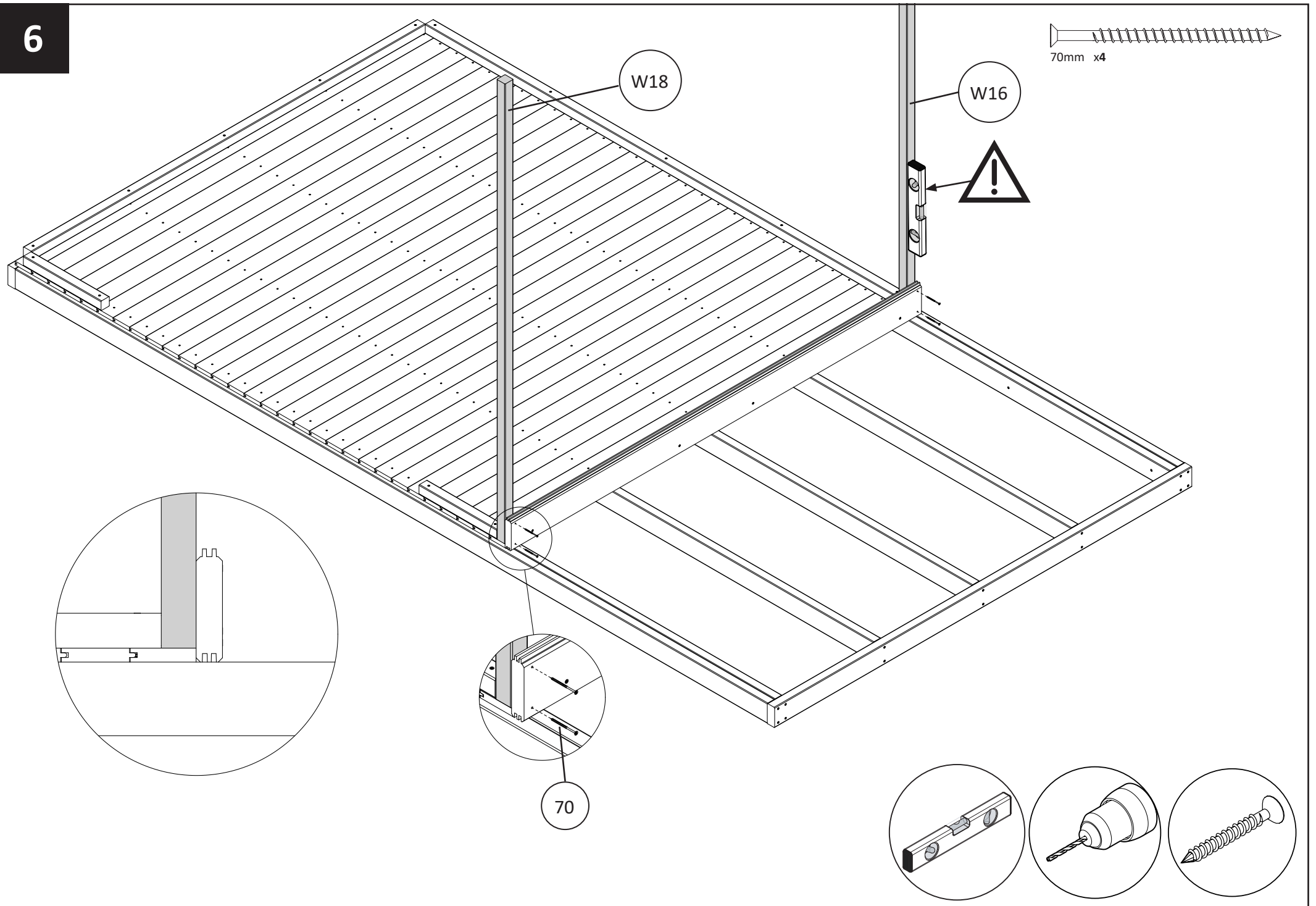


W7

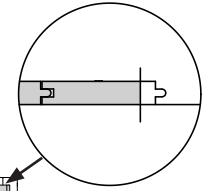
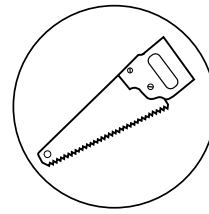
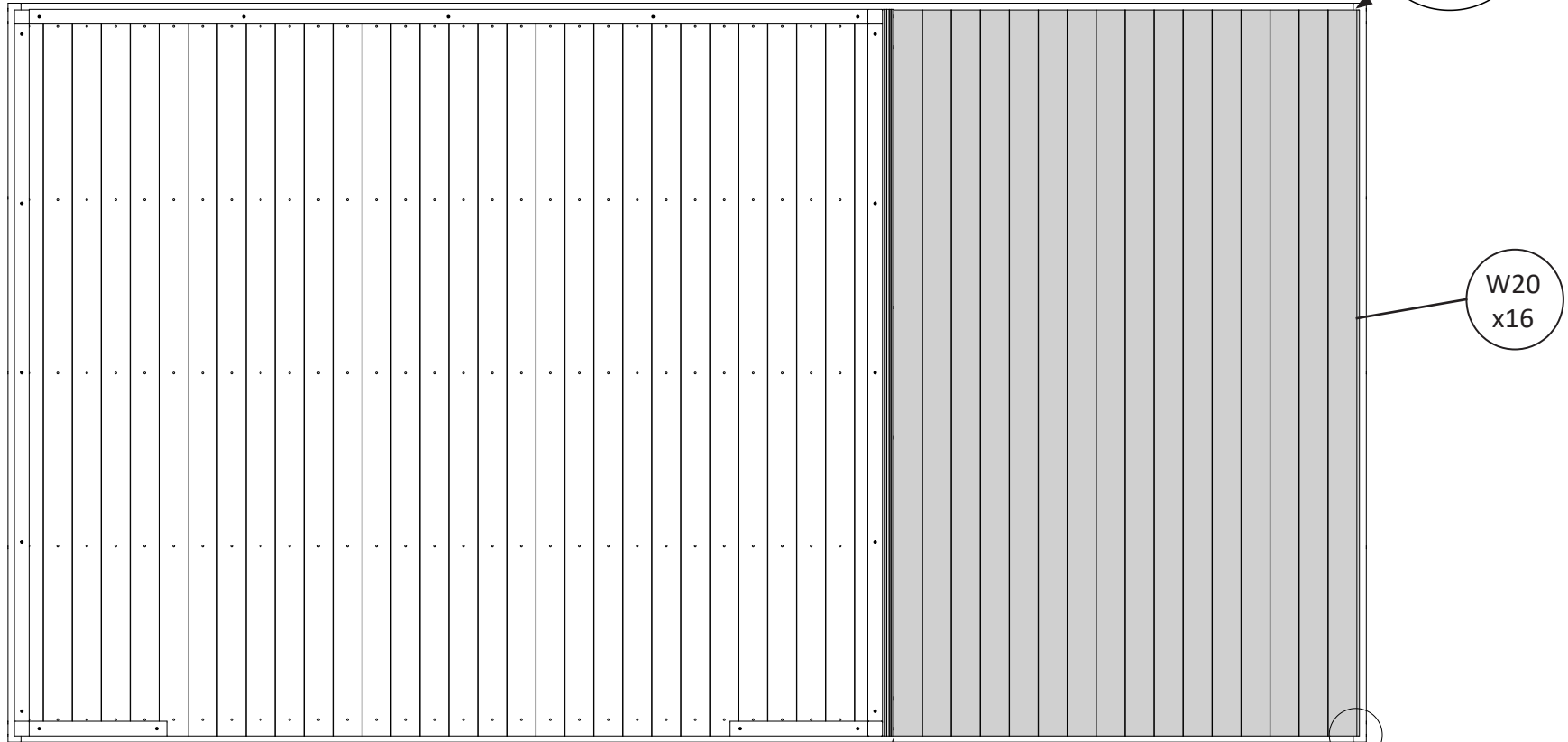
70



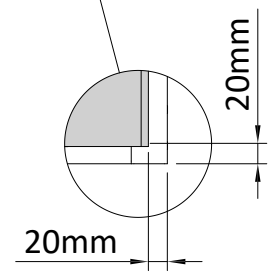
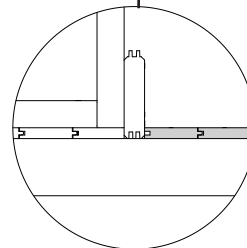
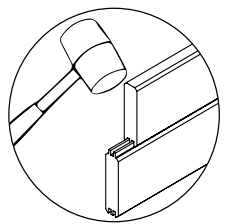
6



7

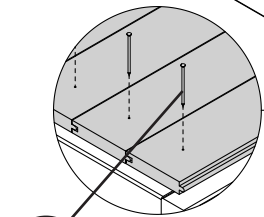
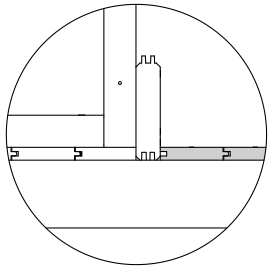
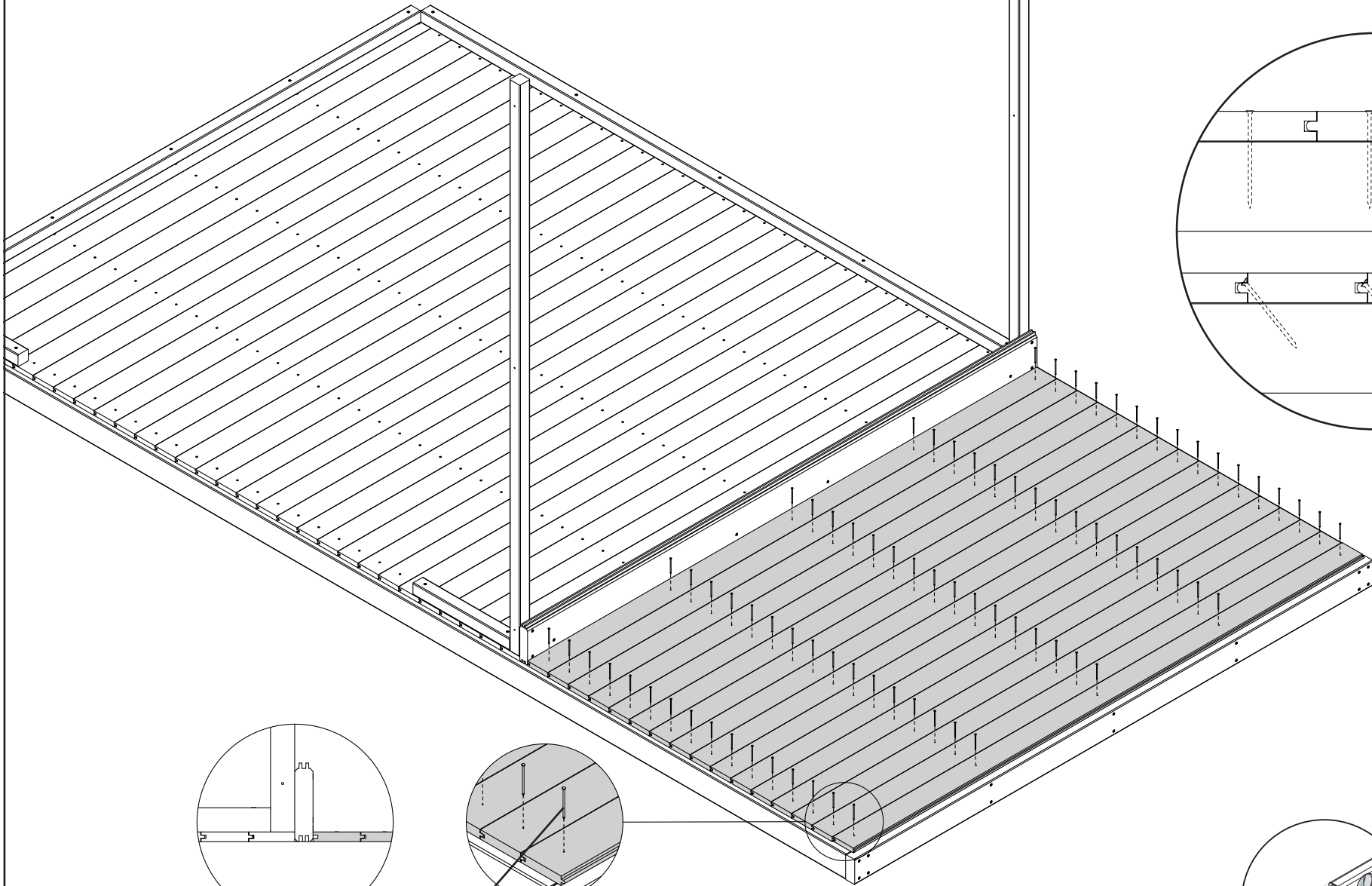


W20  
x16

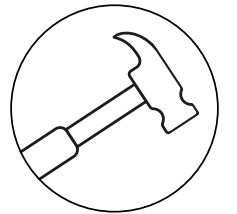
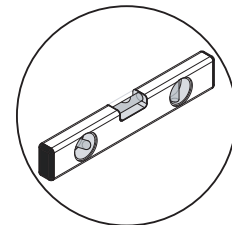


8

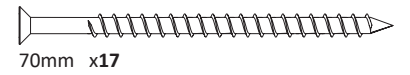
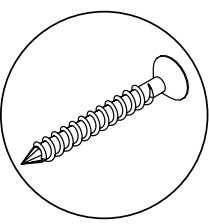
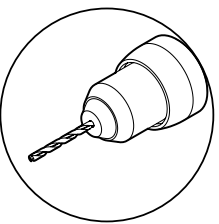
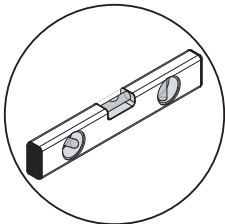
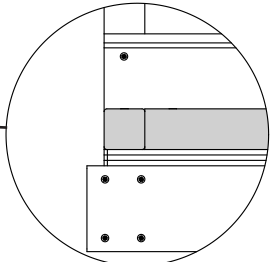
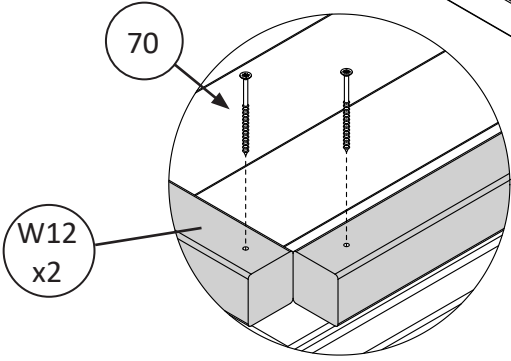
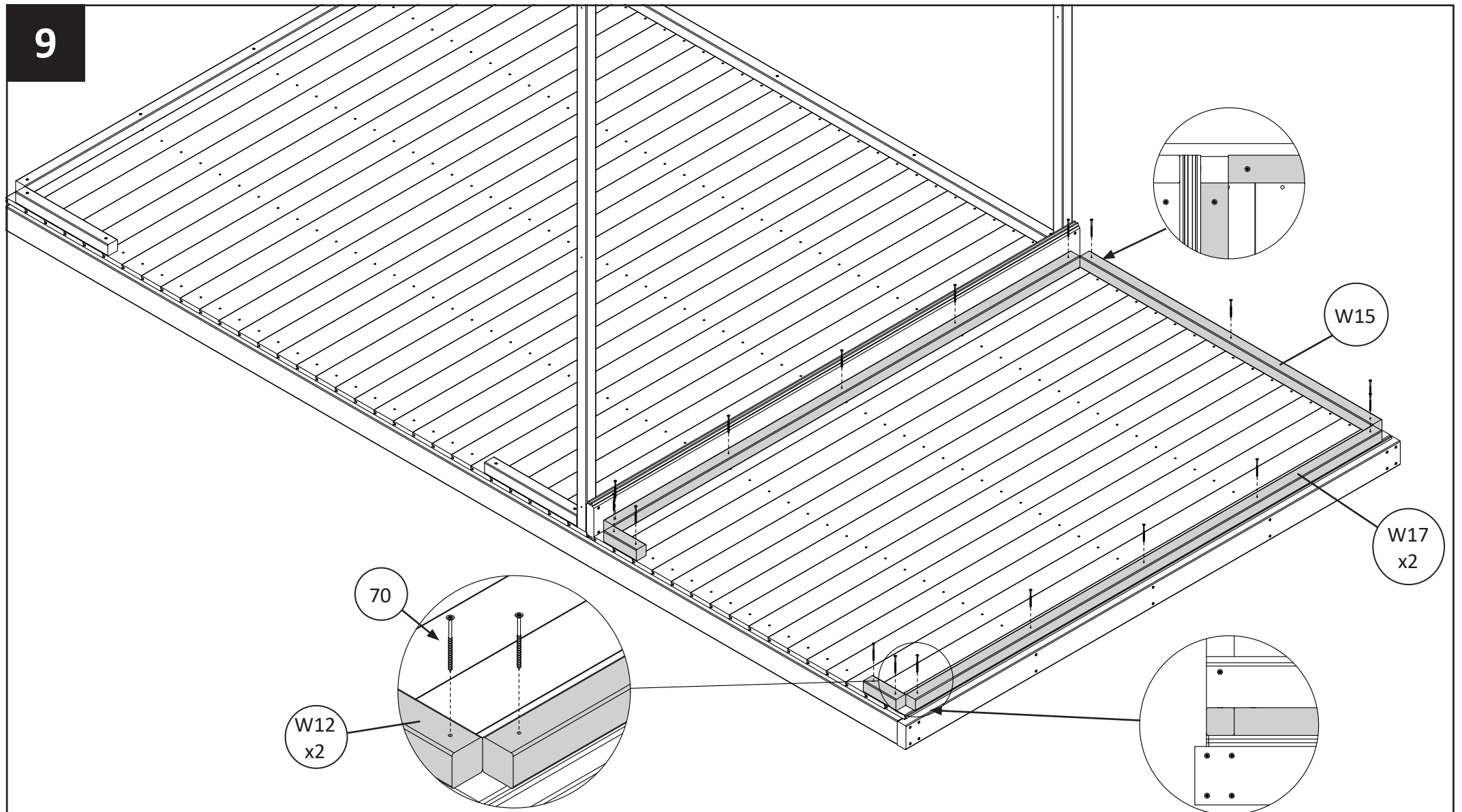
Pin x80



Pin

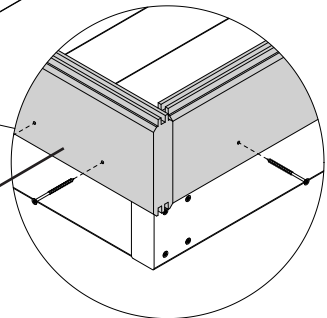
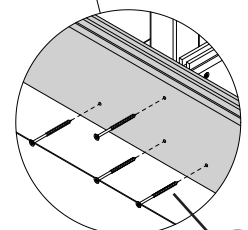
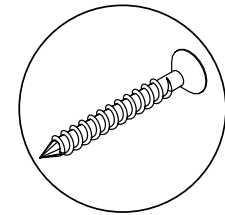
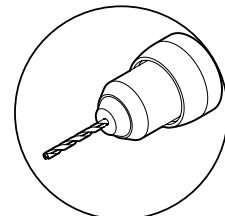
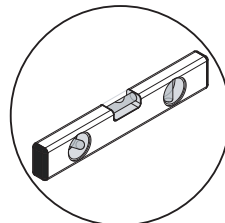
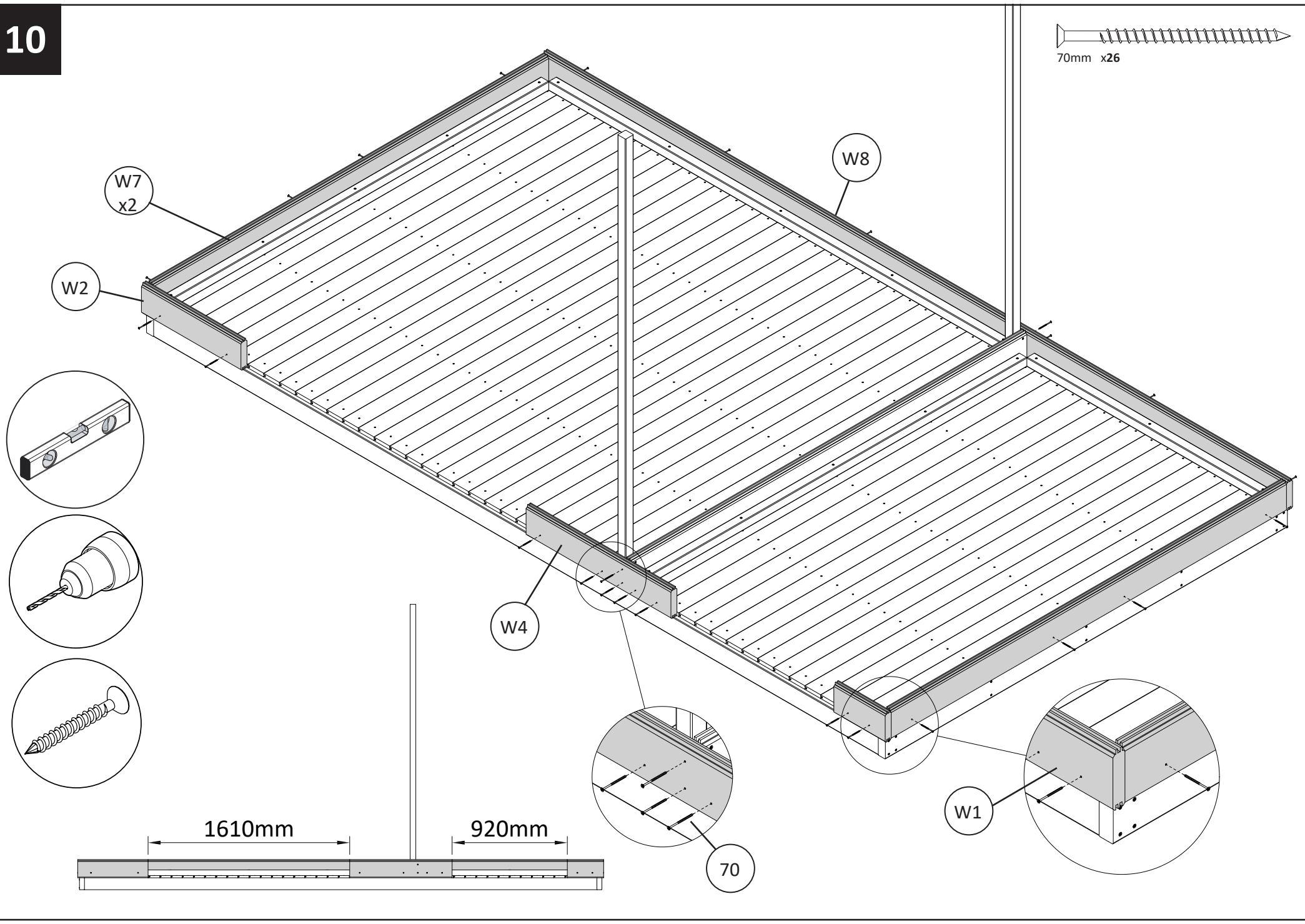
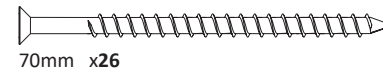


9

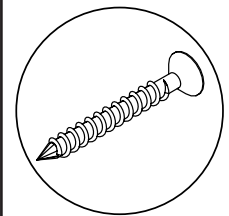
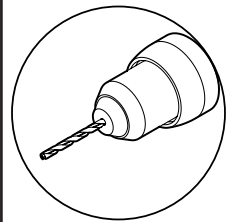
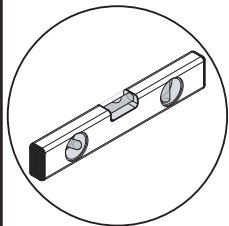
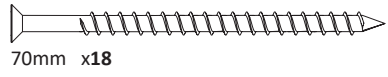


70mm x17

10



11

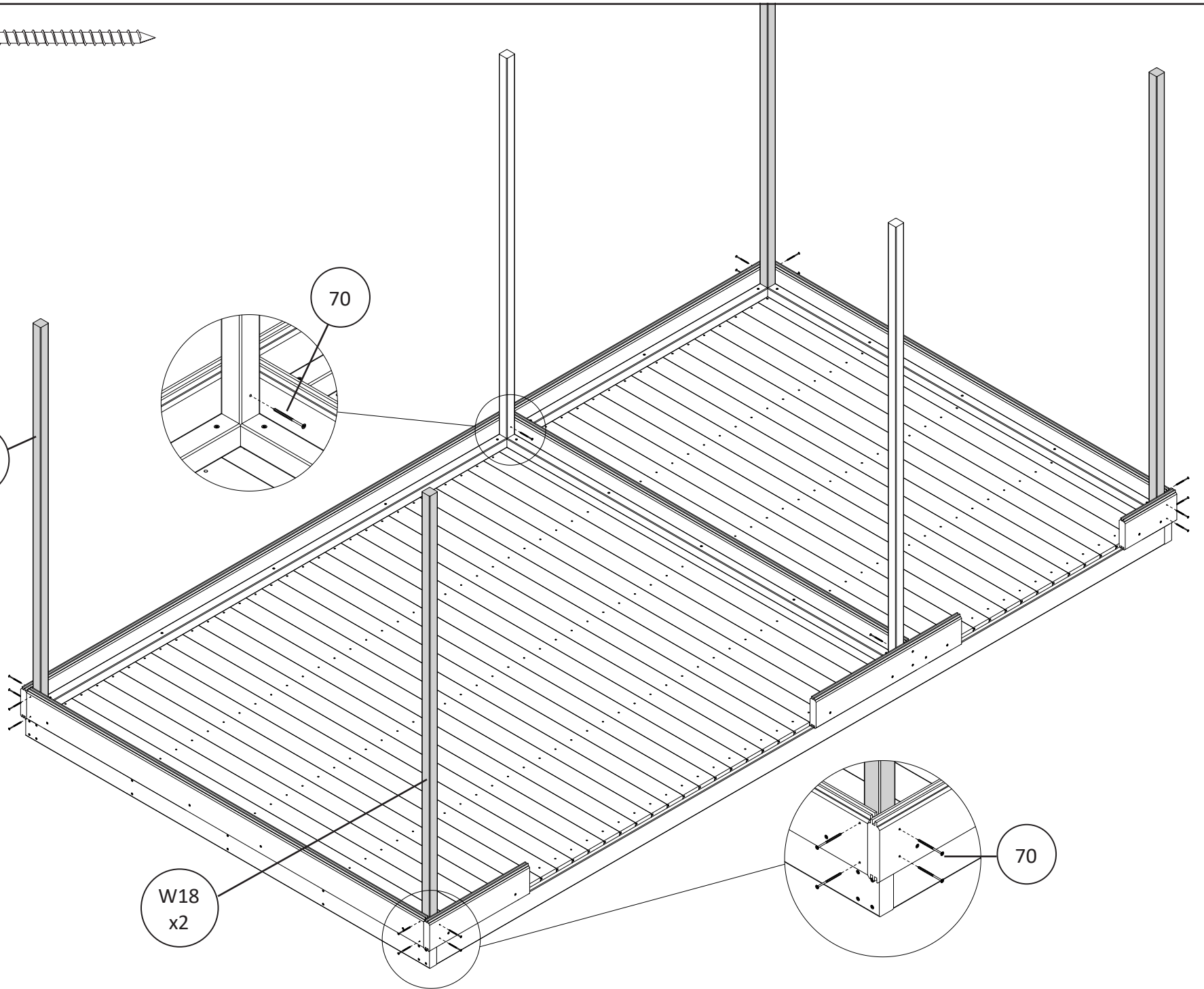


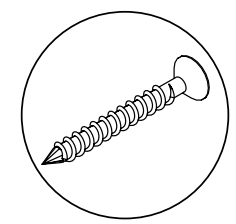
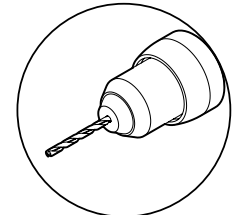
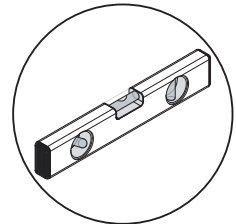
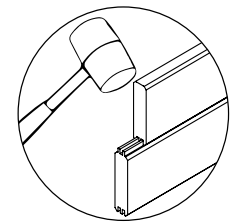
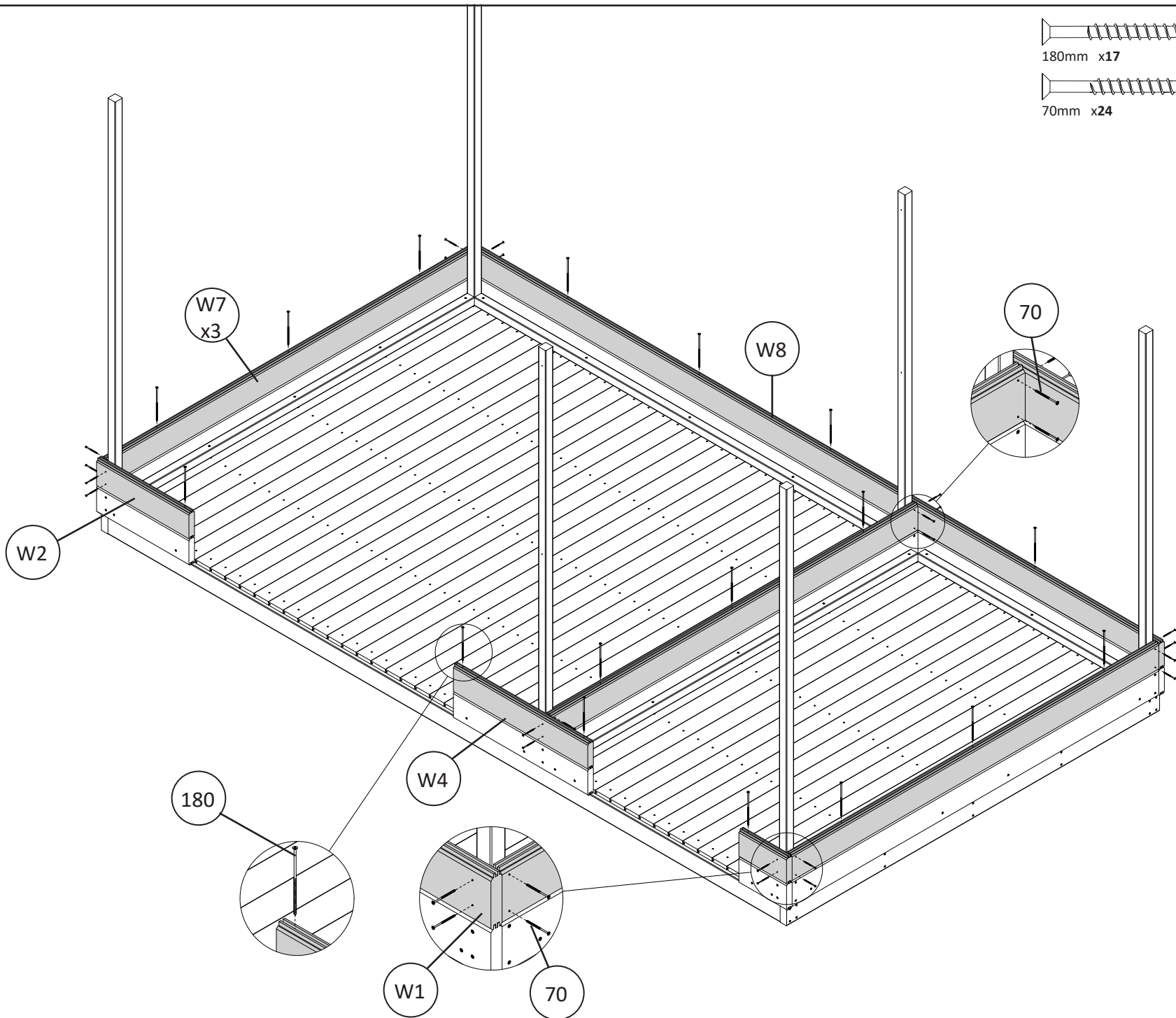
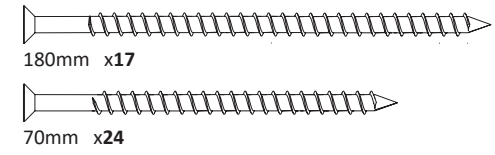
W16  
x2

W18  
x2

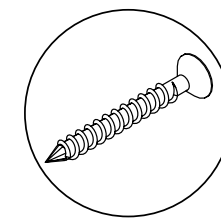
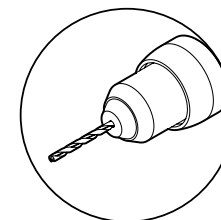
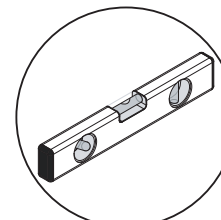
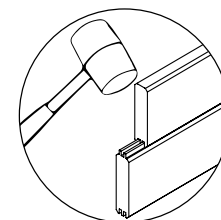
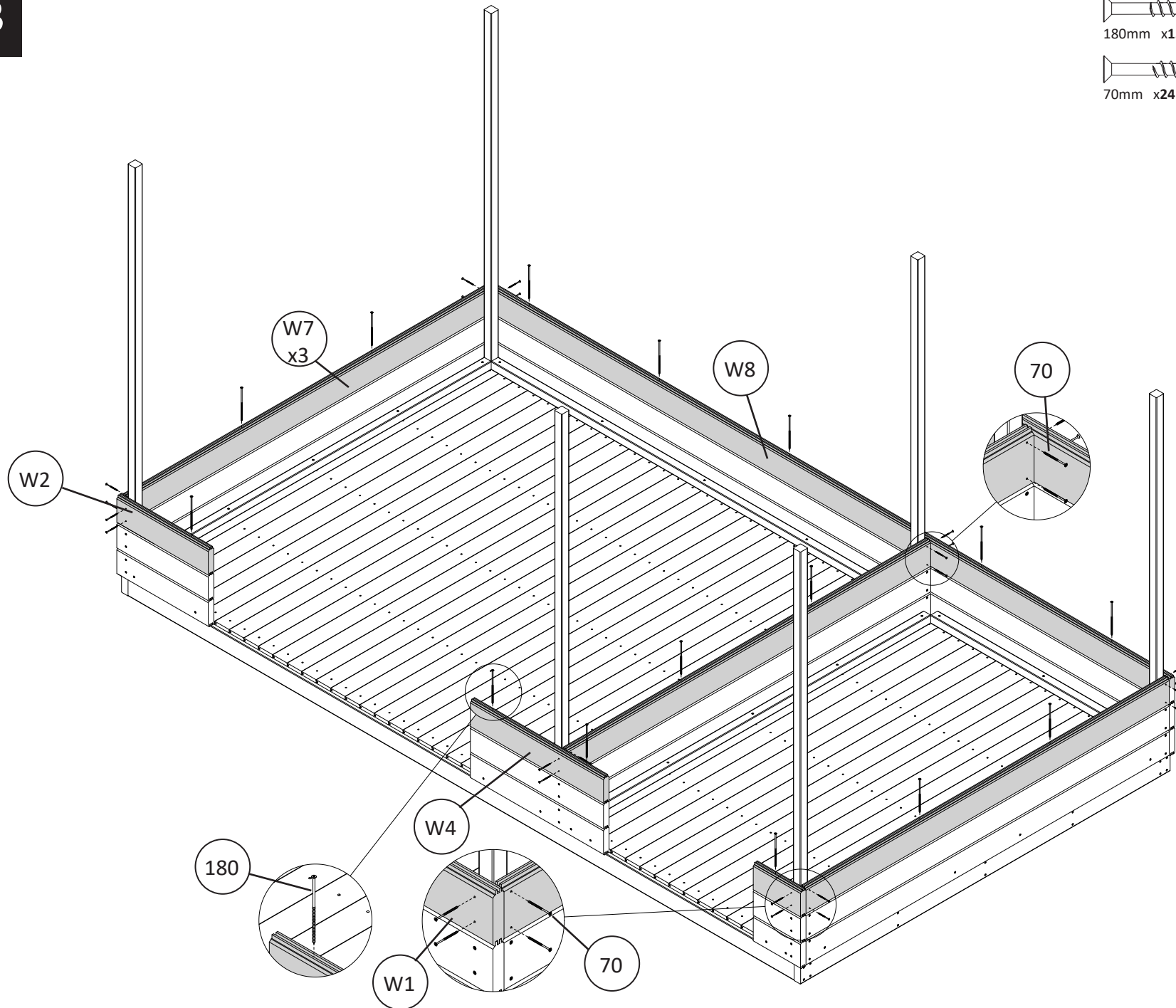
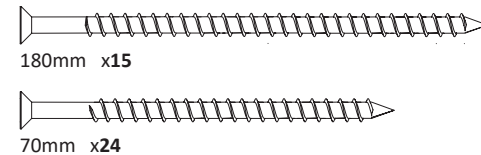
70

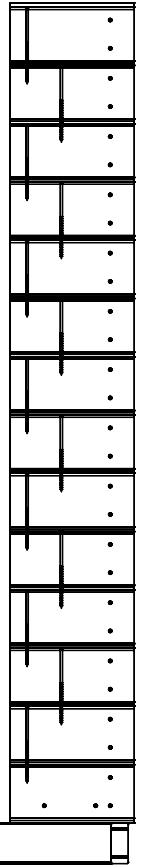
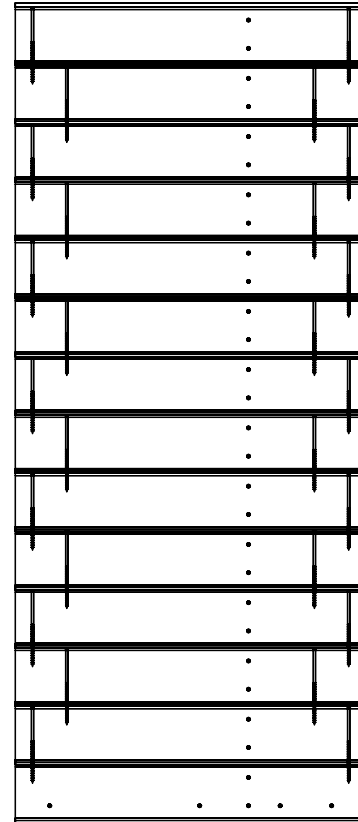
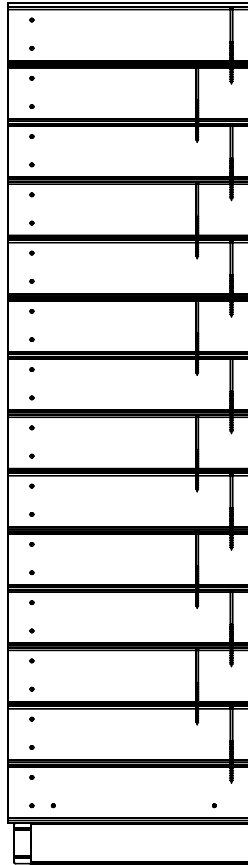
70

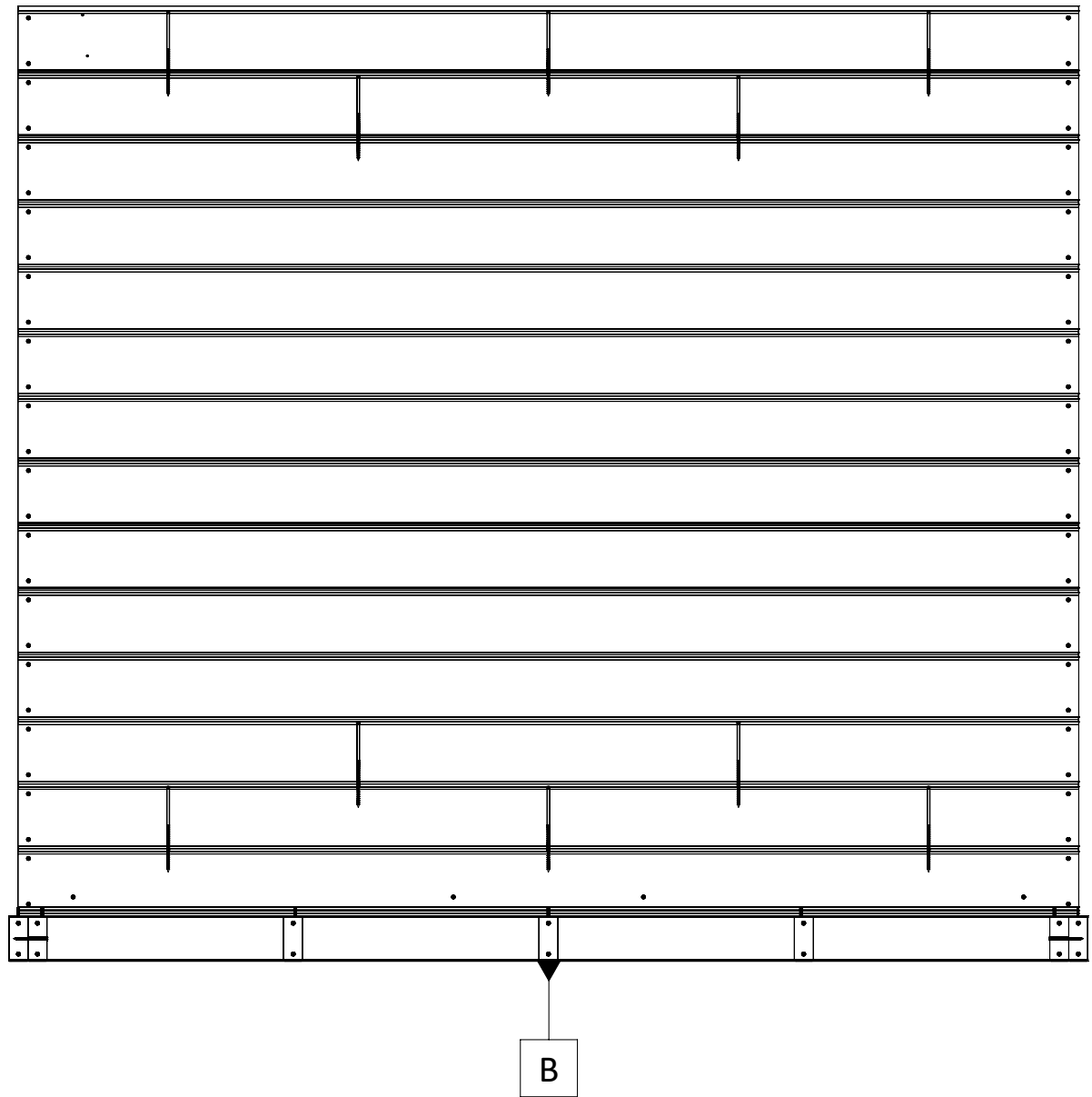


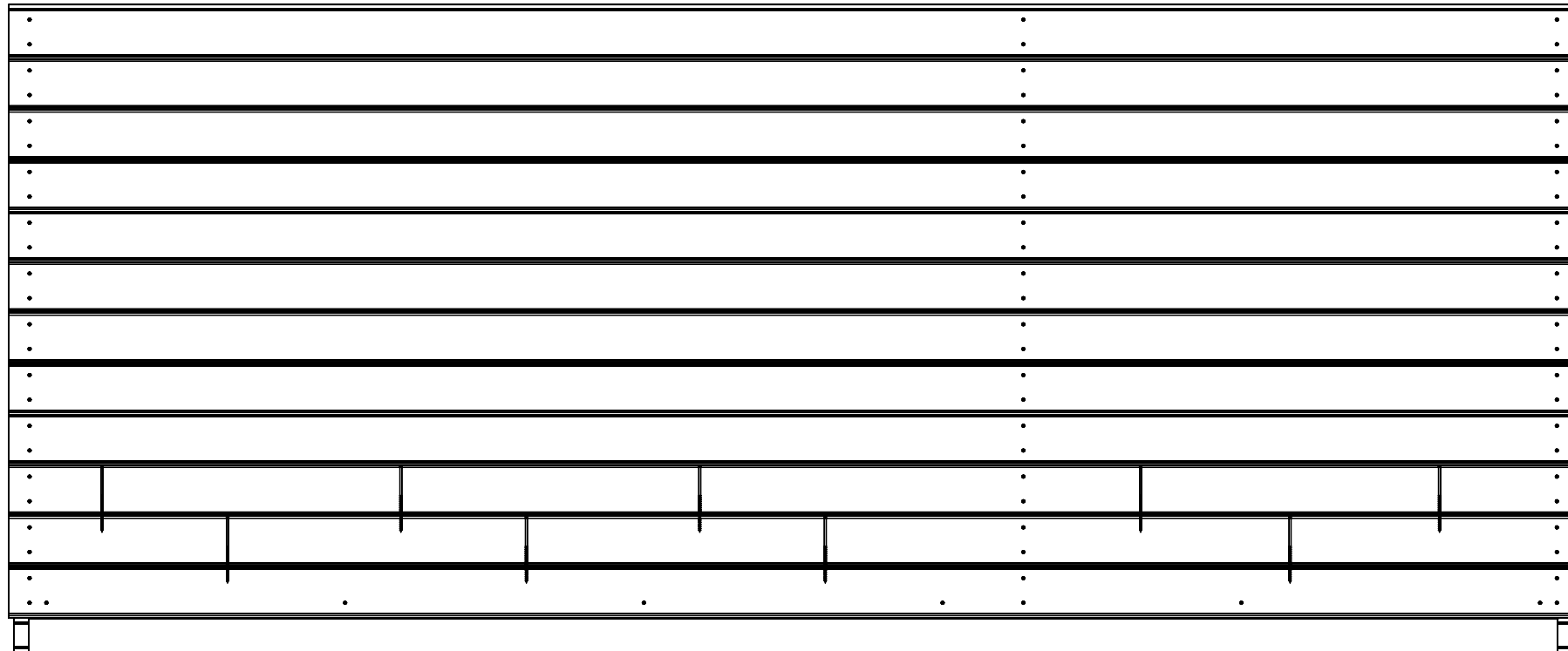




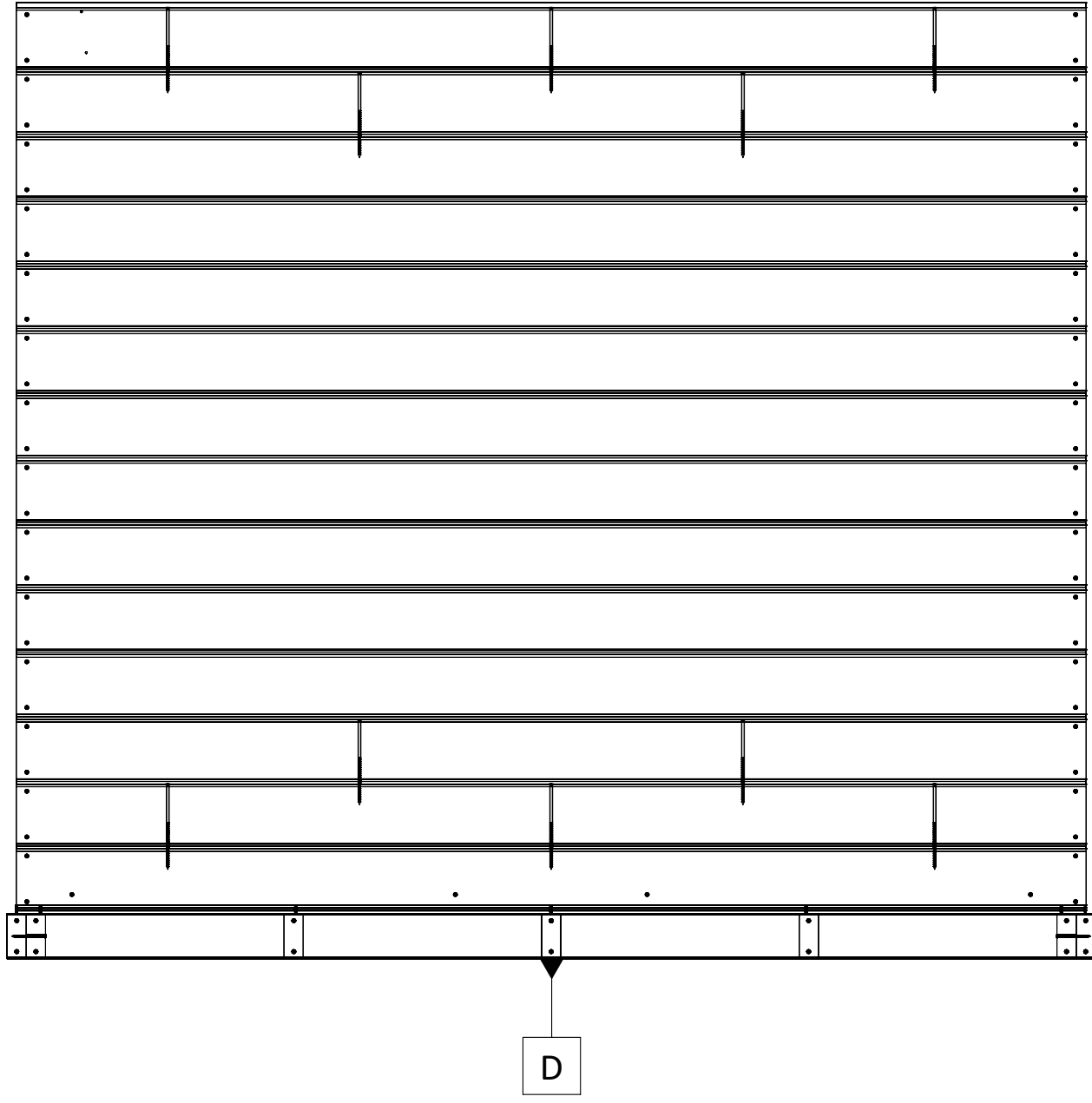


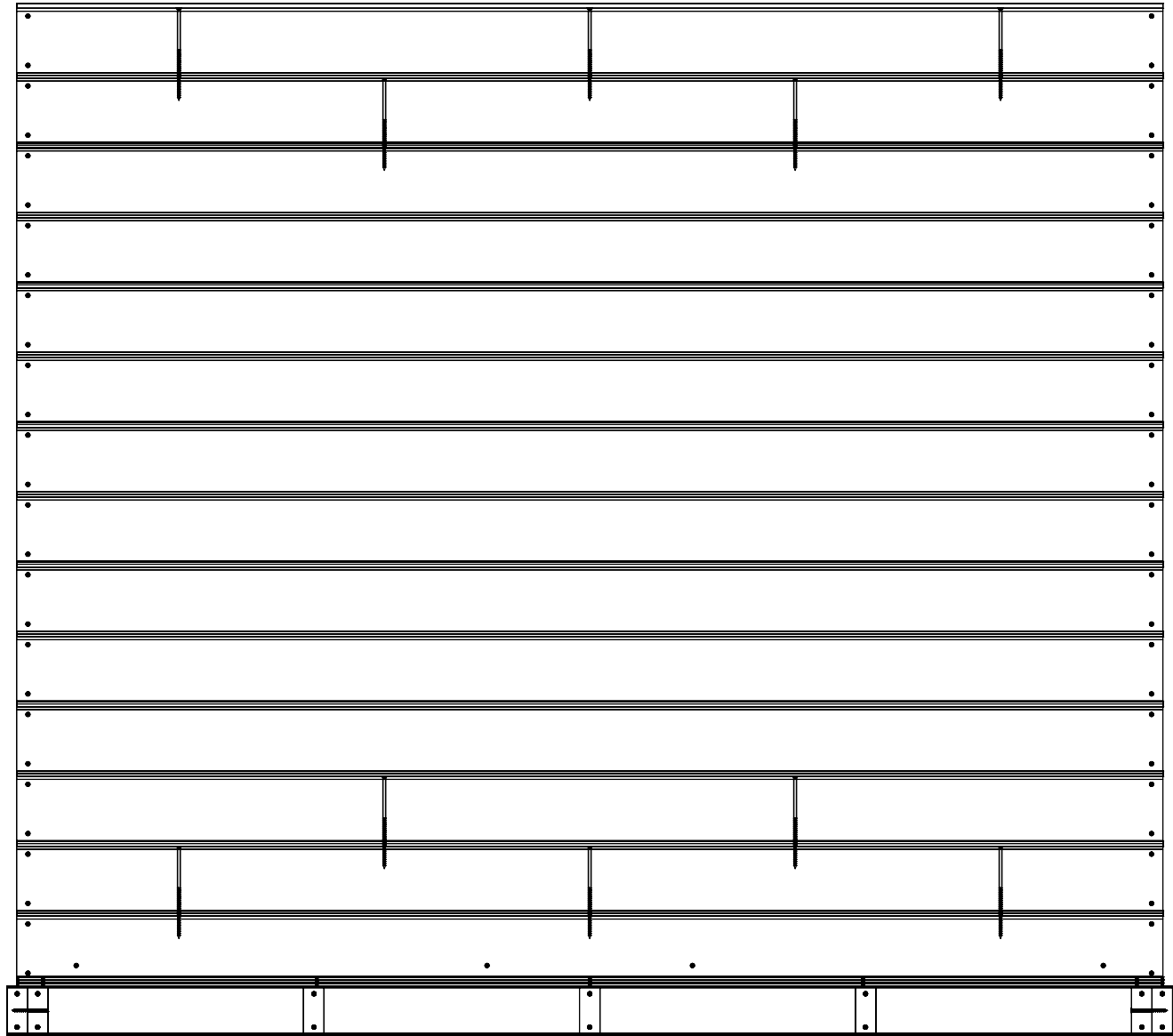




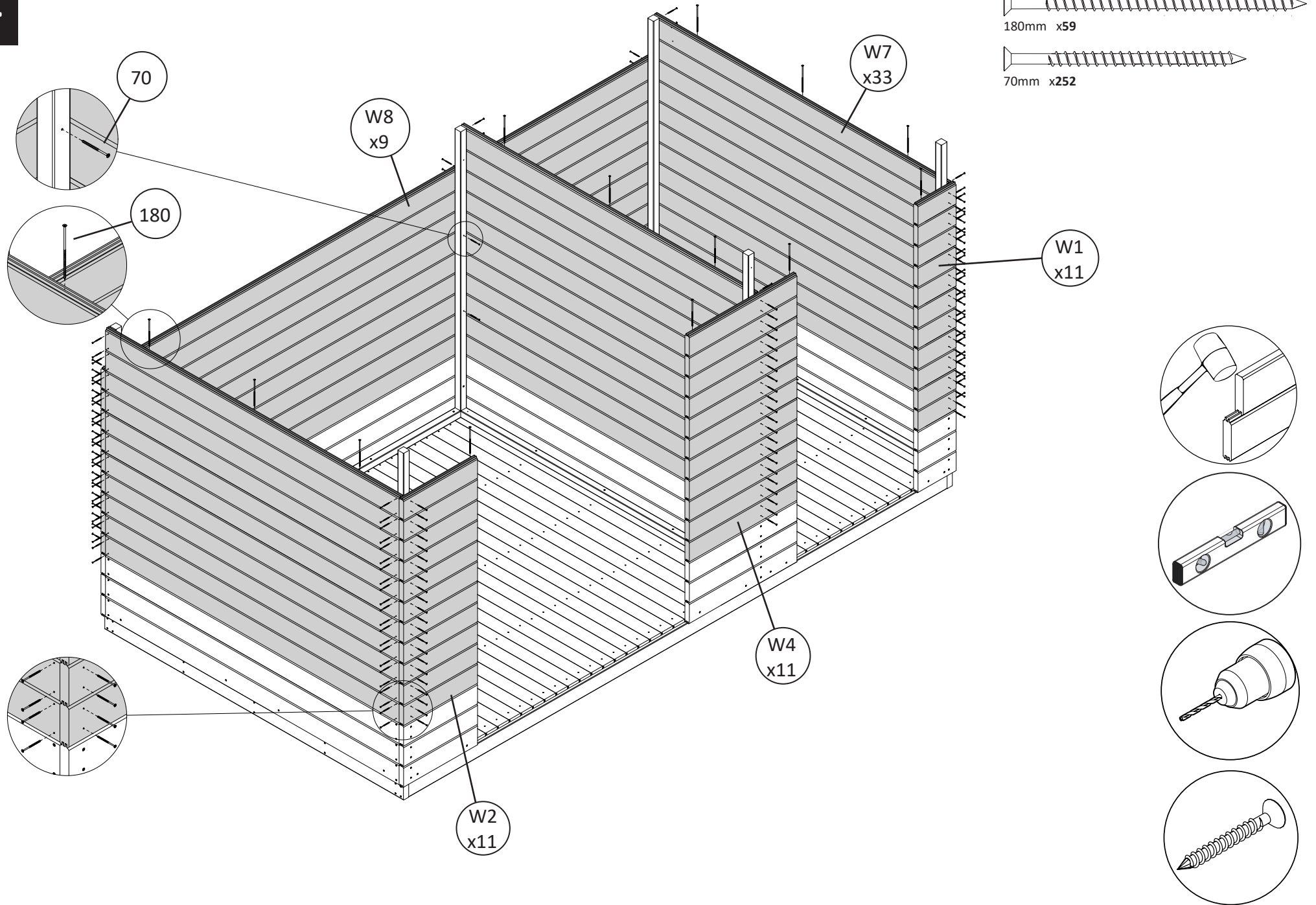


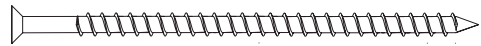
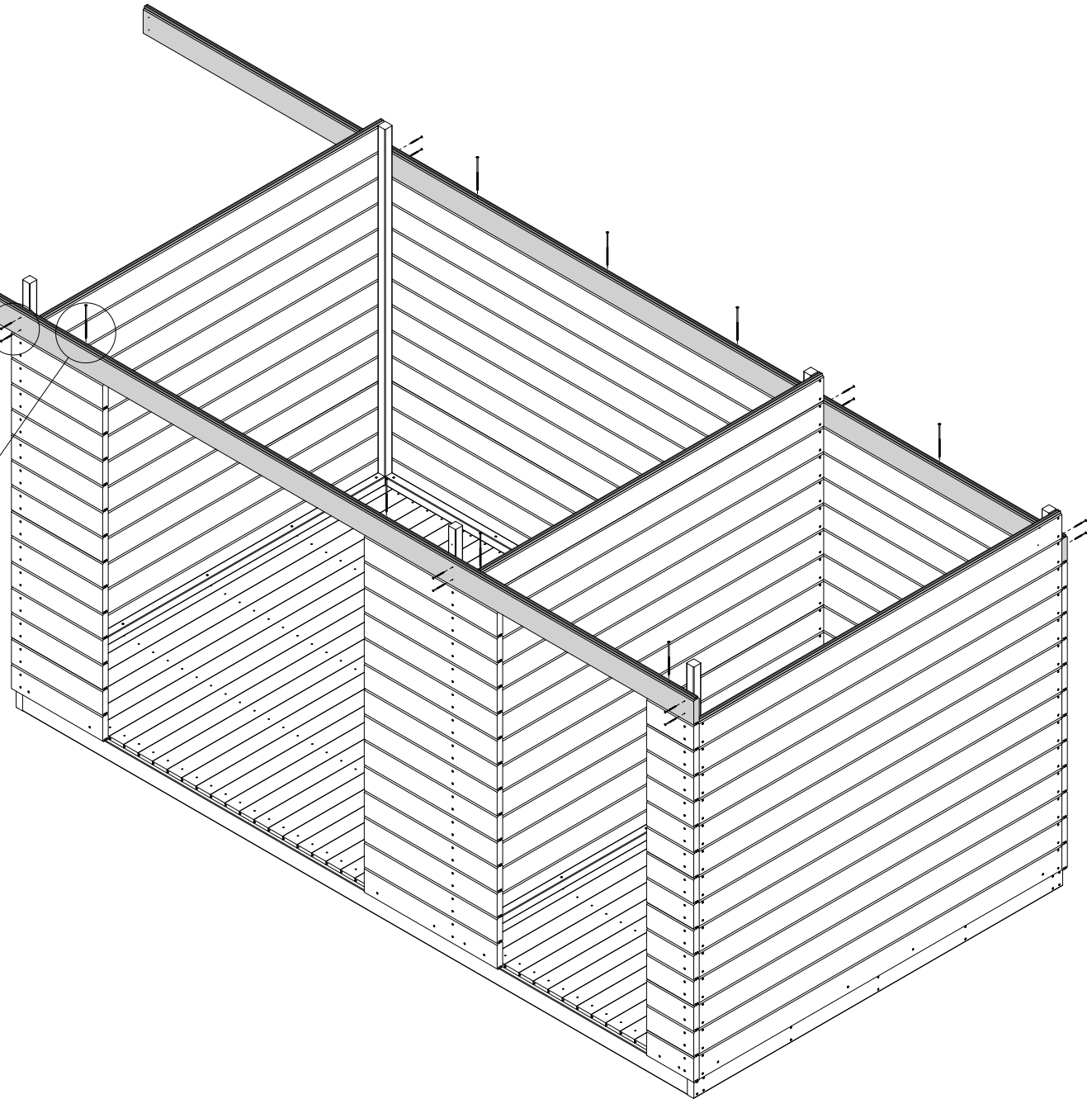
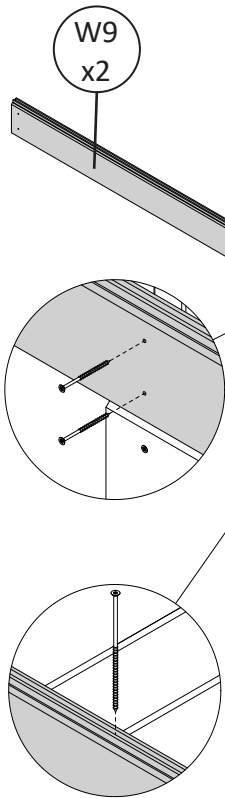
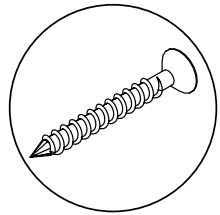
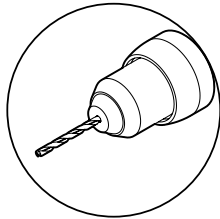
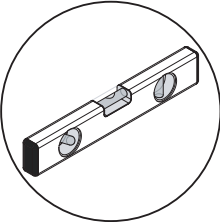
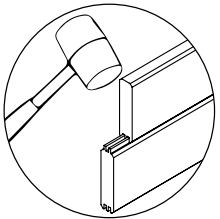
C



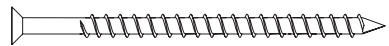


E





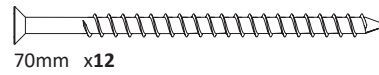
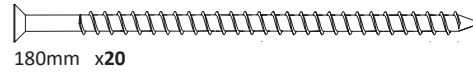
180mm x8



70mm x12



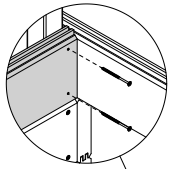
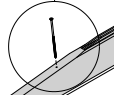
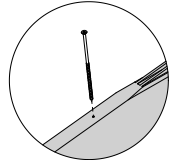
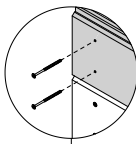
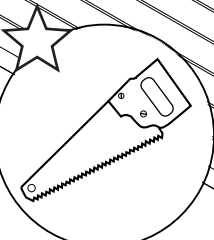
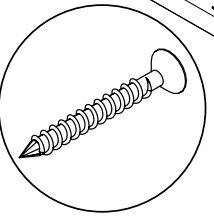
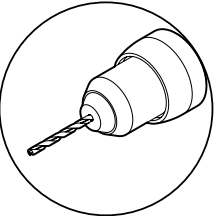
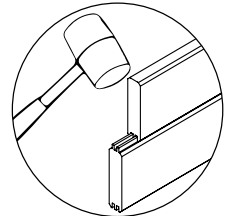
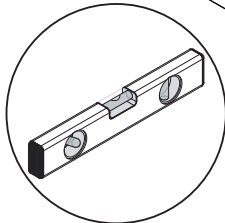
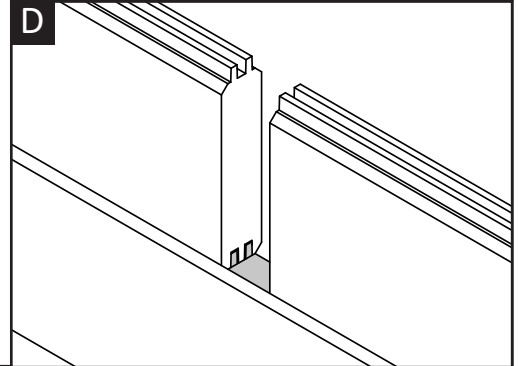
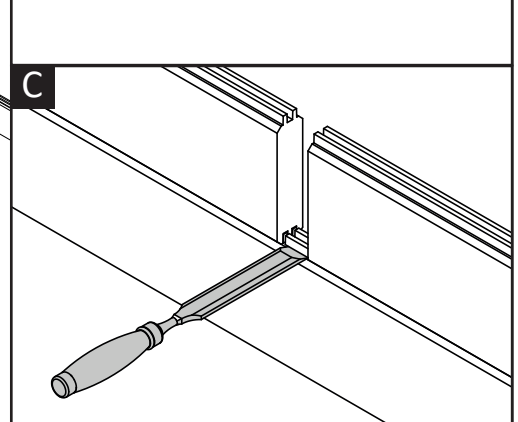
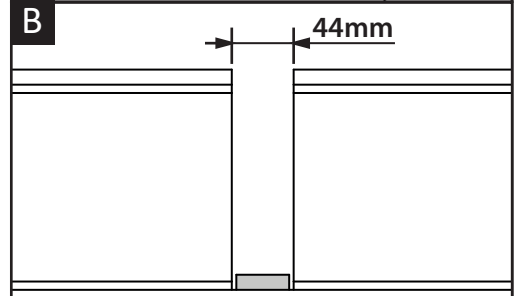
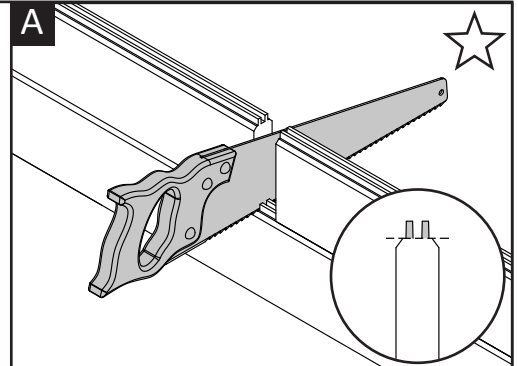
W33  
x3



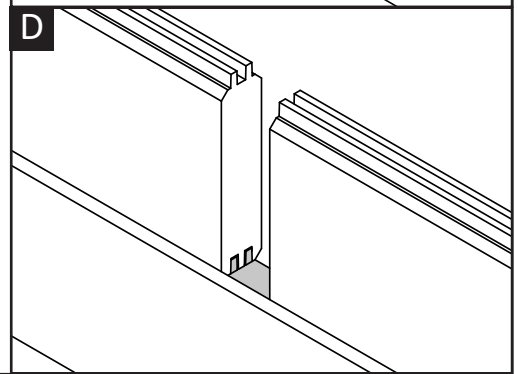
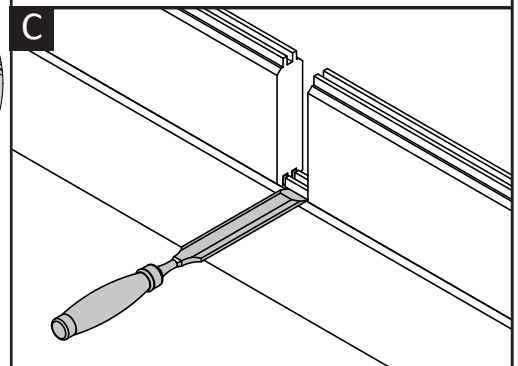
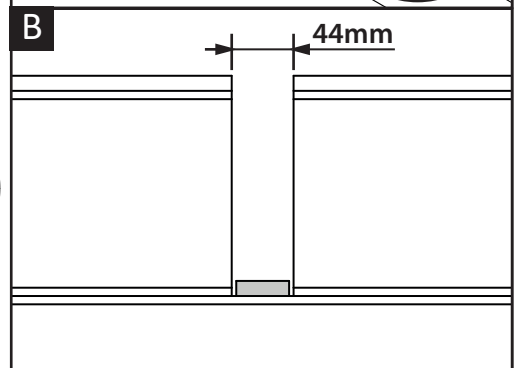
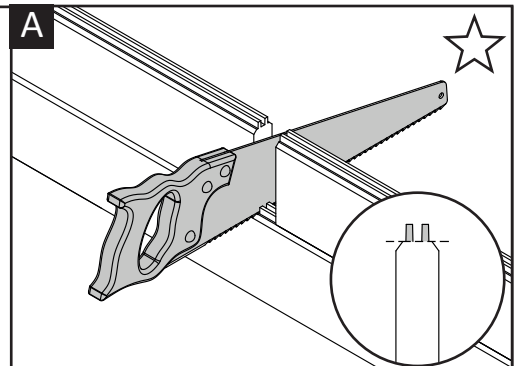
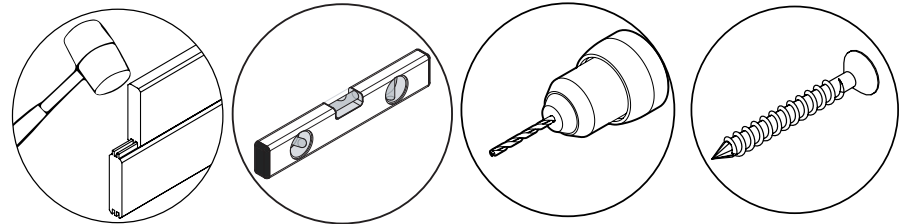
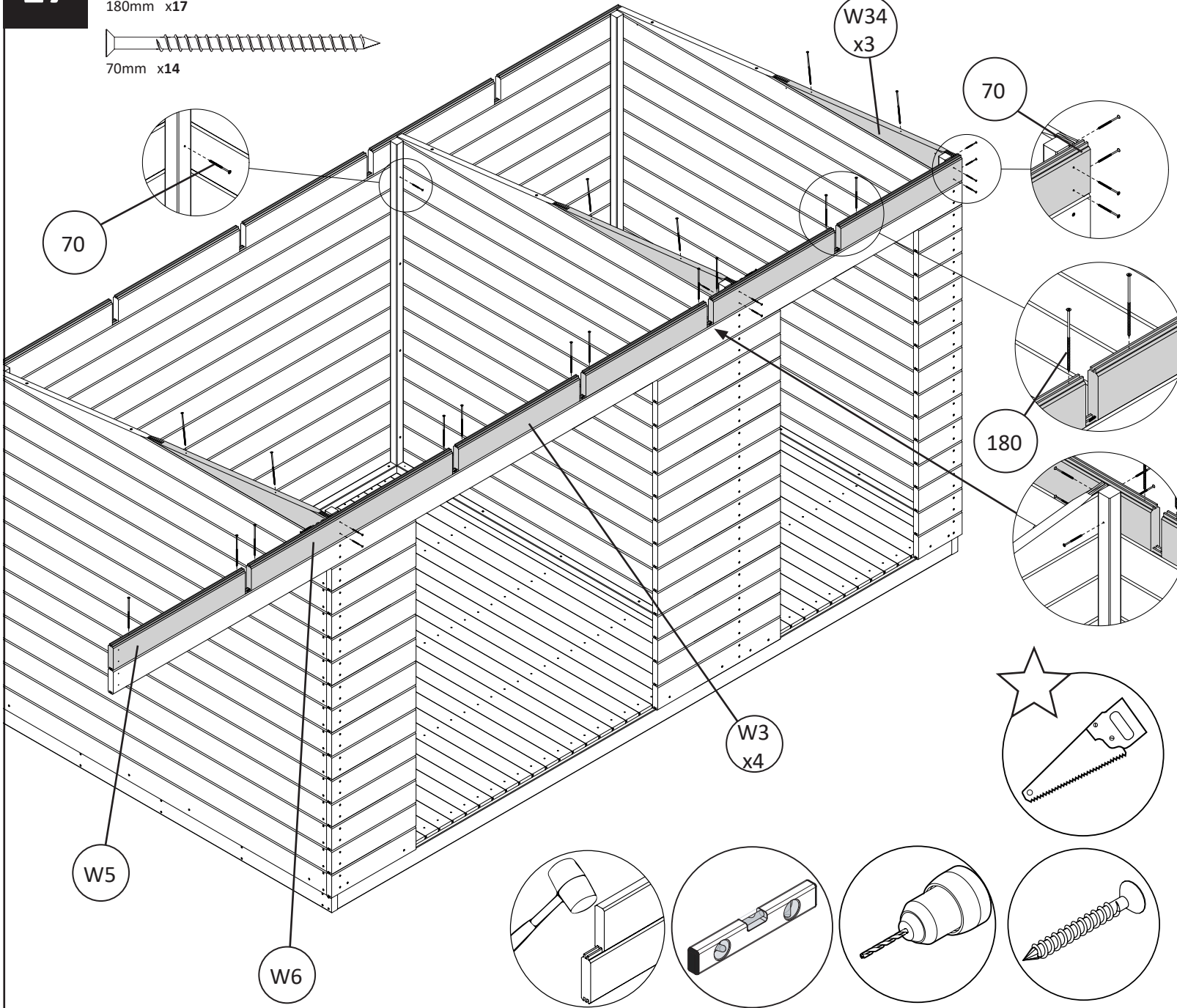
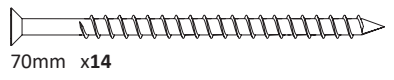
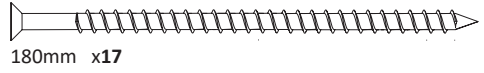
W3  
x4

W6

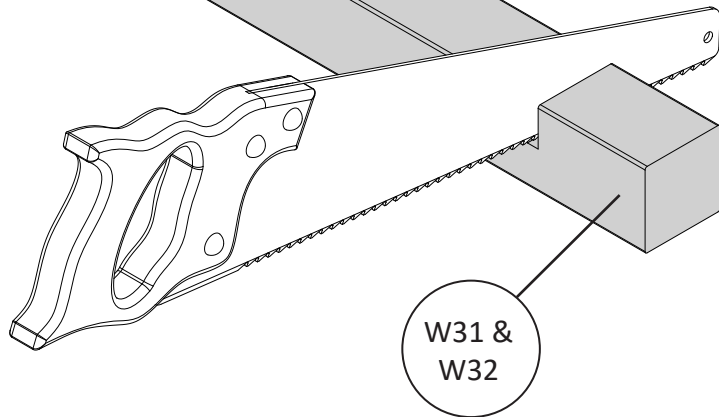
W5



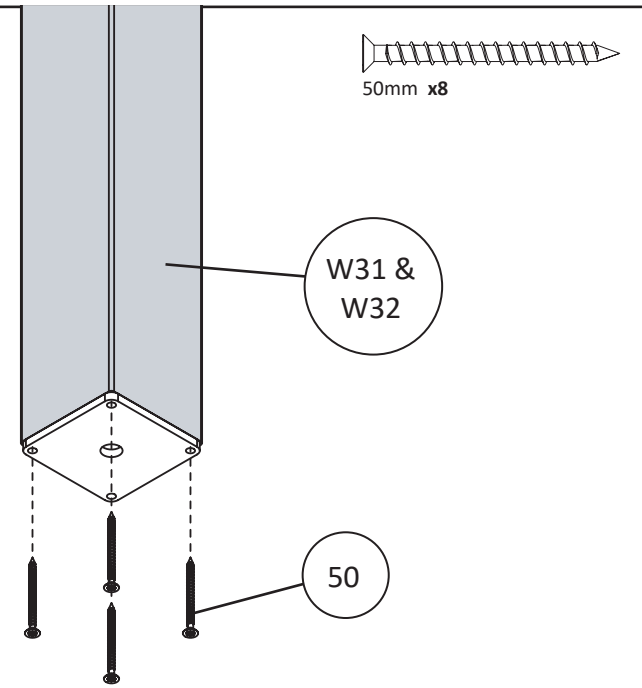
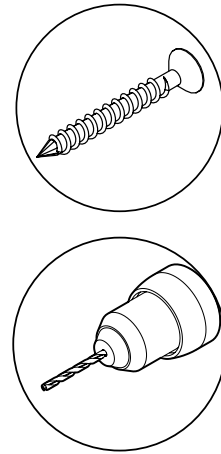
17



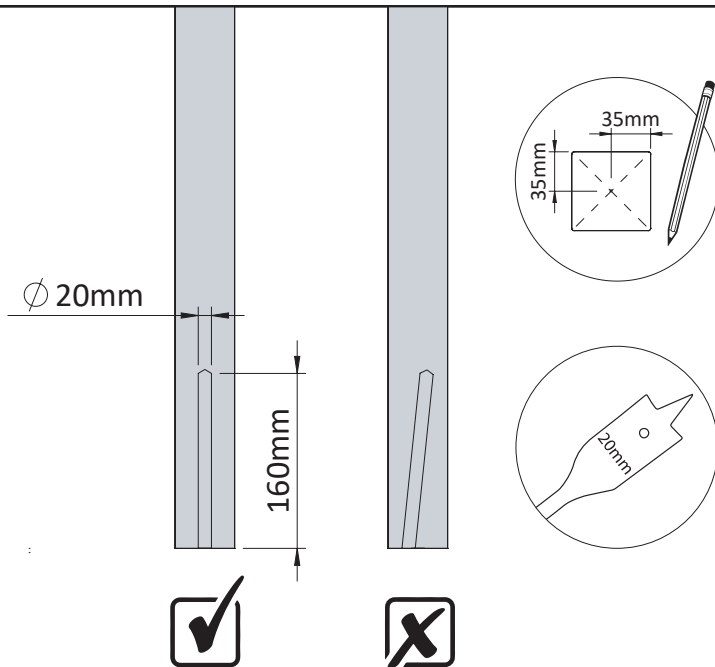
18



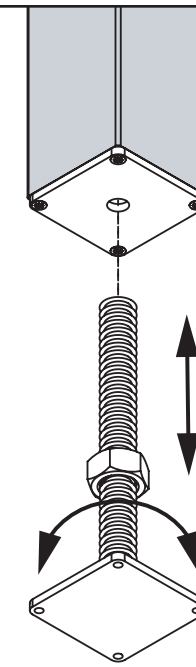
A



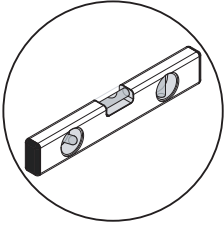
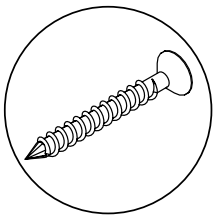
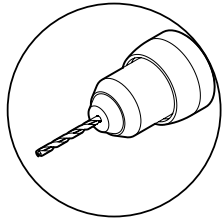
C



B



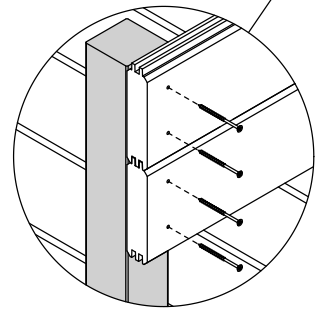
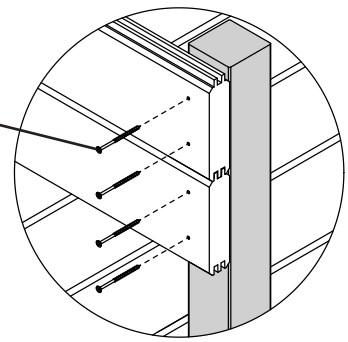
D



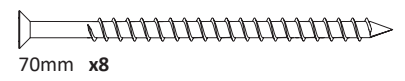
W31

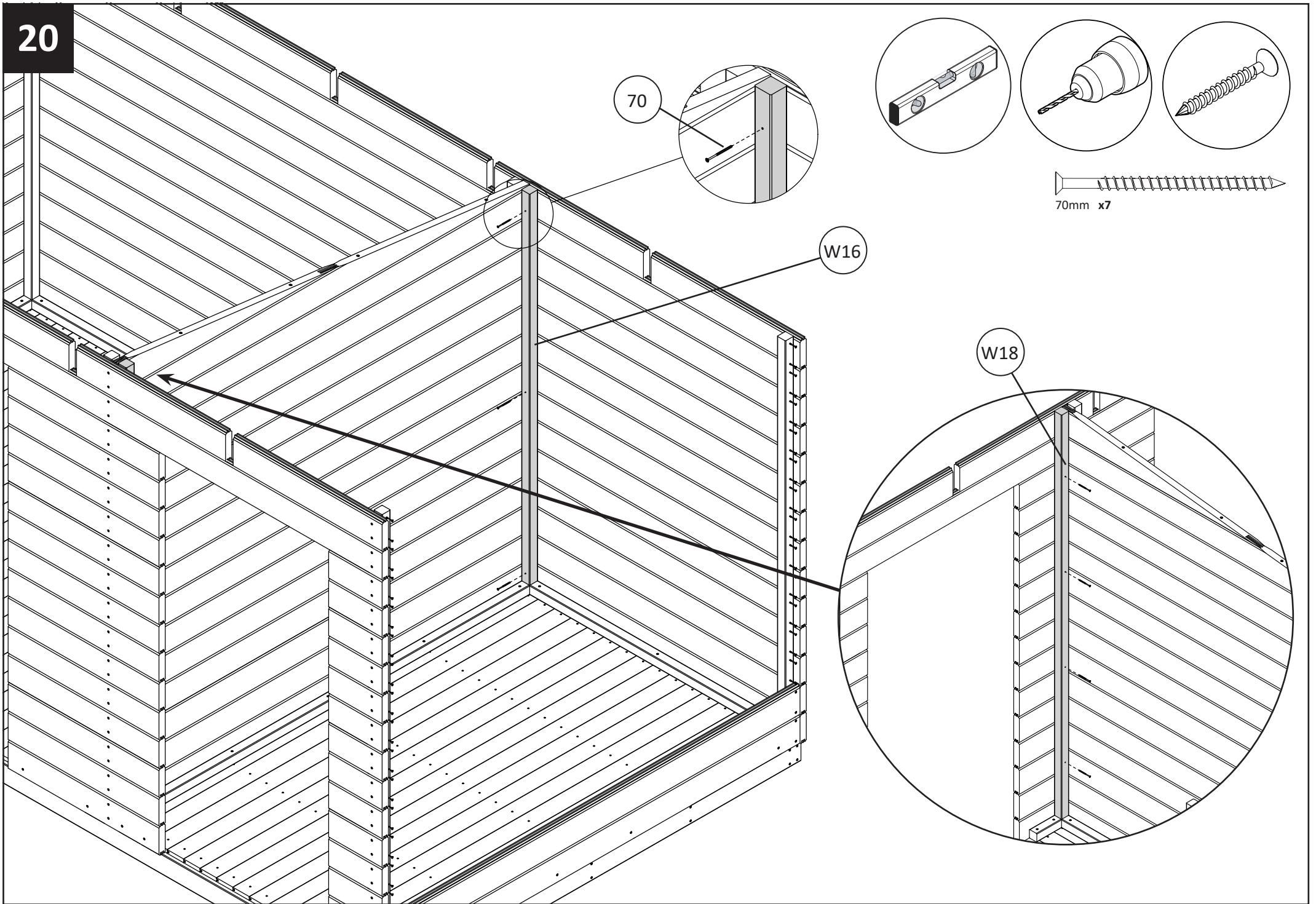


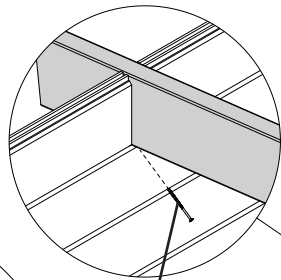
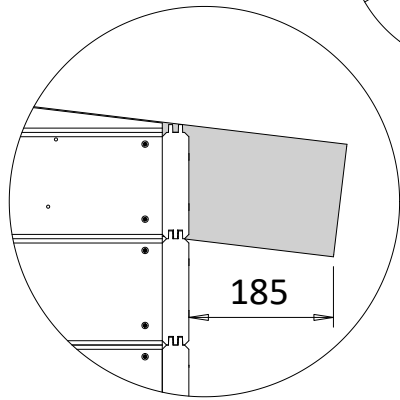
70



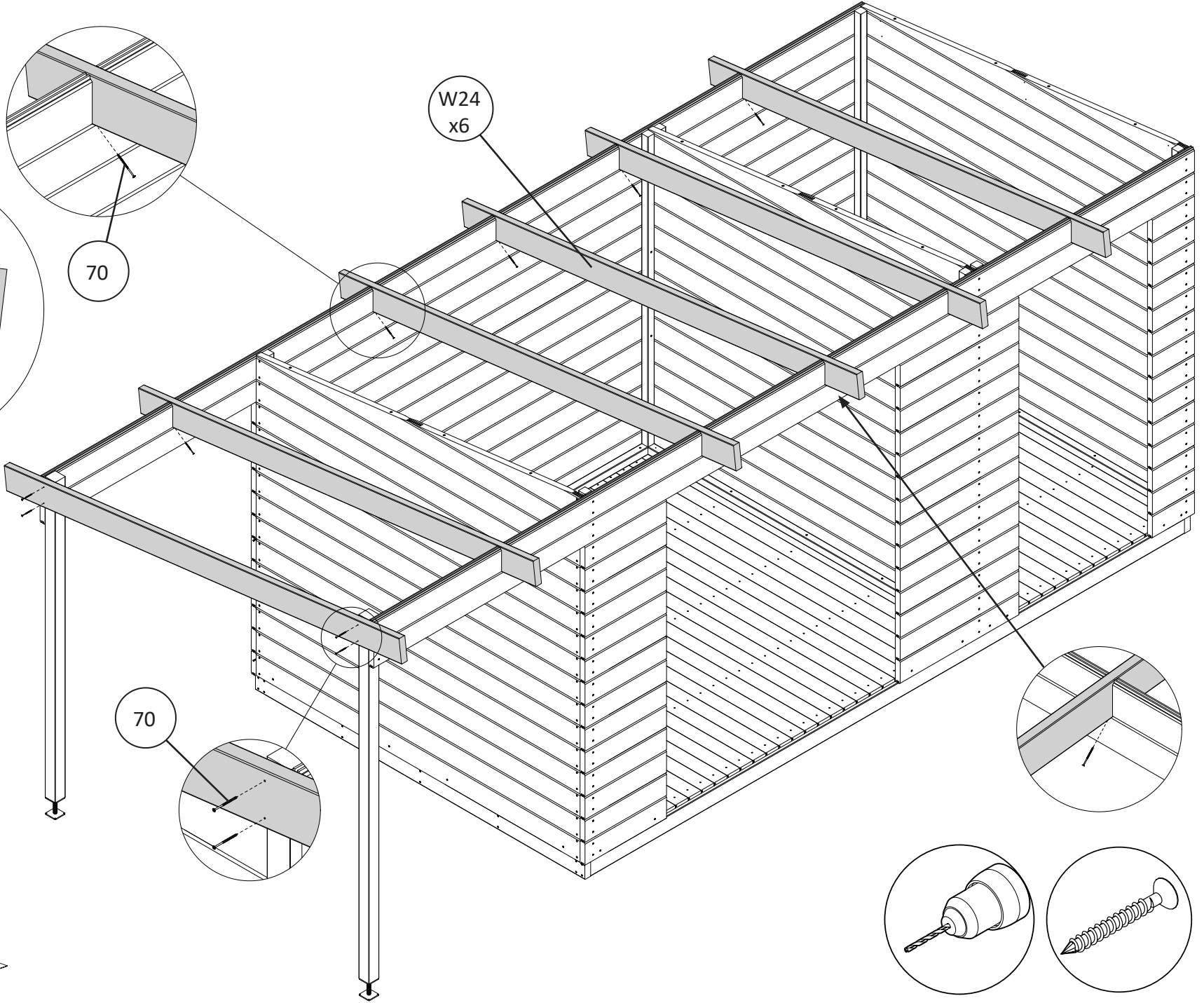
W32



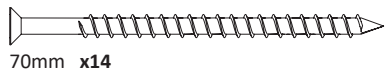
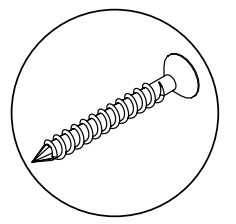
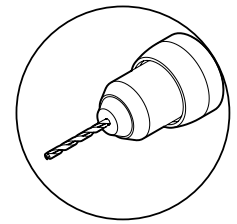
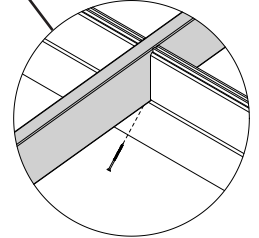
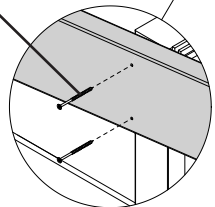




W24  
x6

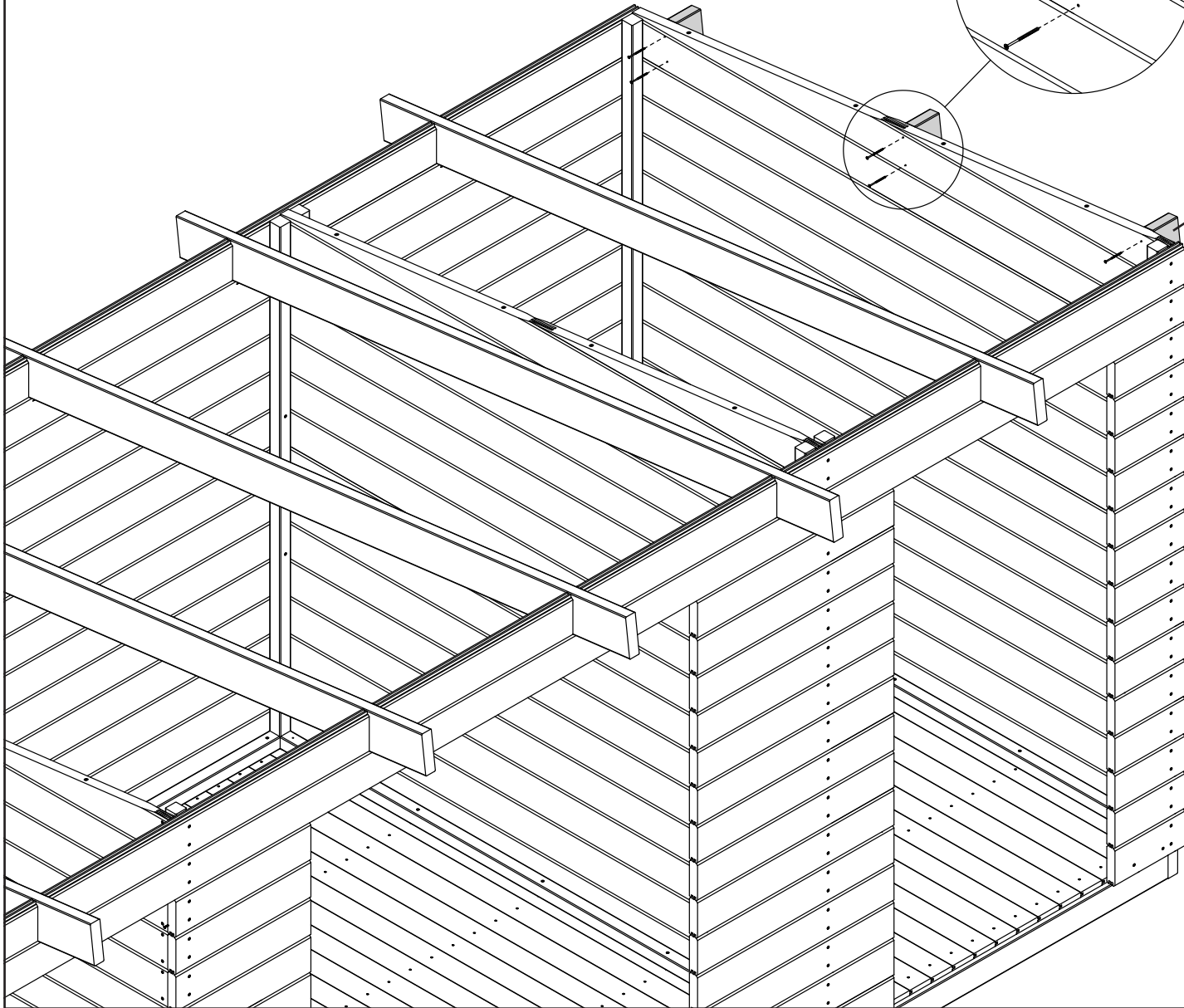
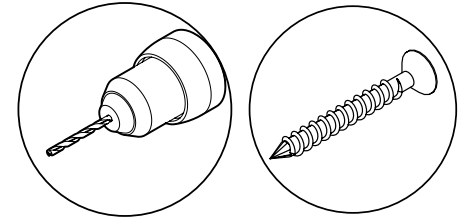
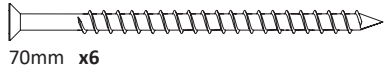


70

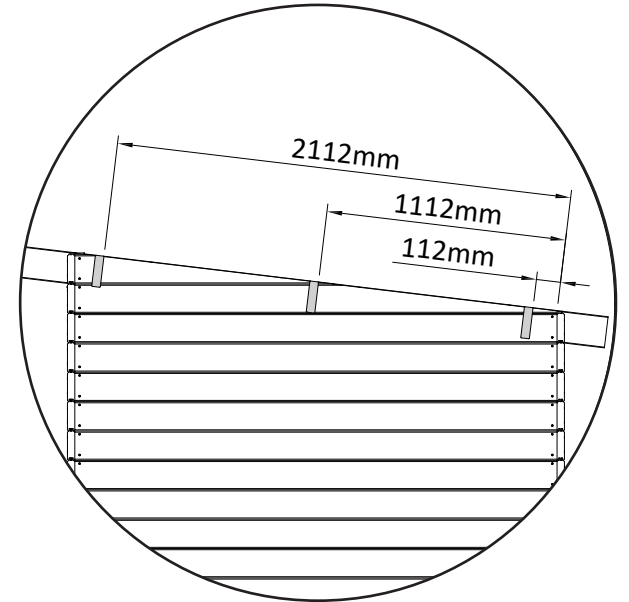


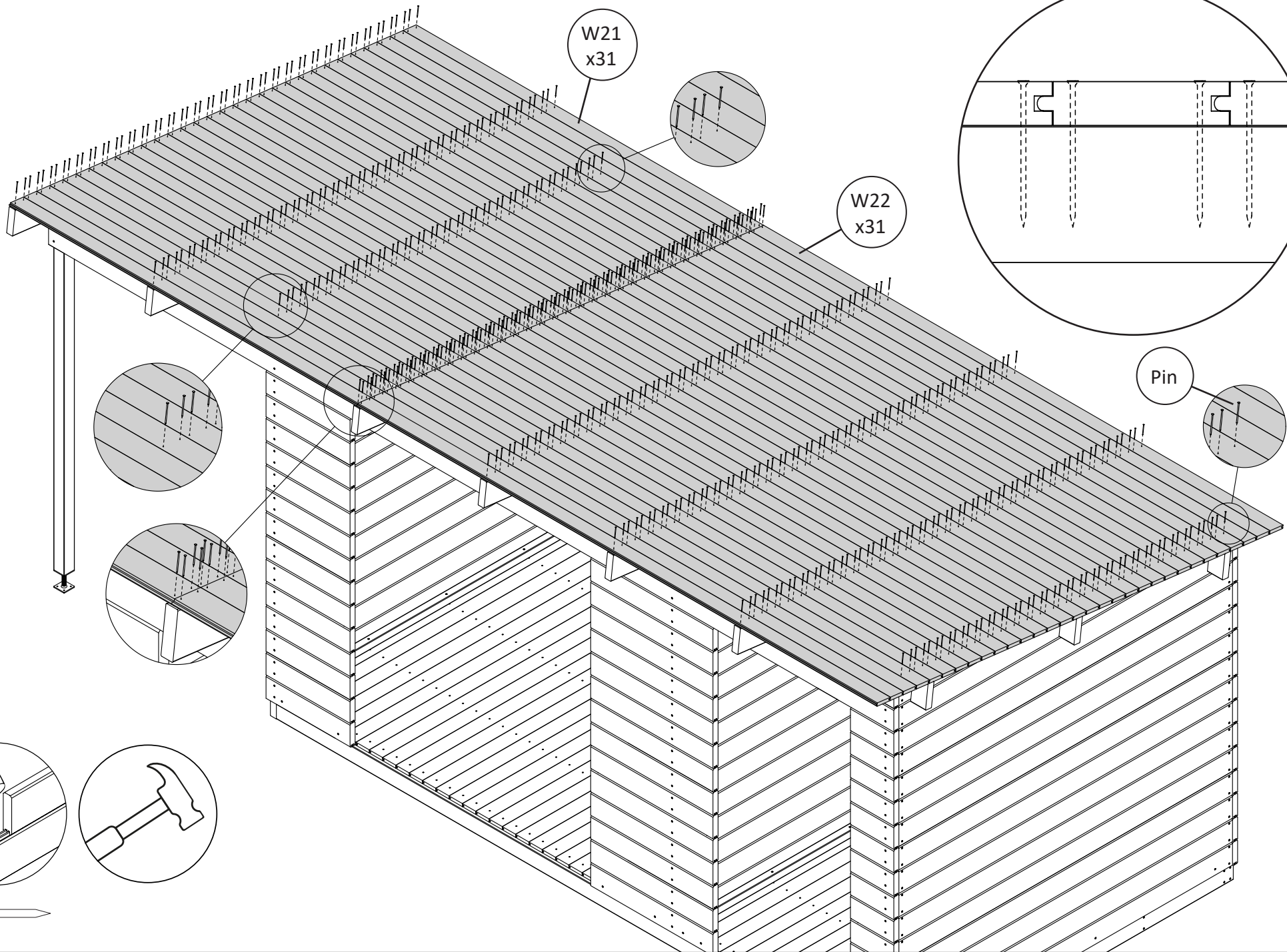
70mm x14

22



W23  
x3

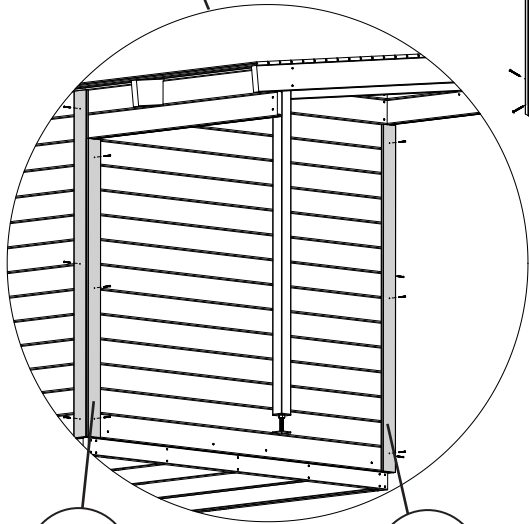
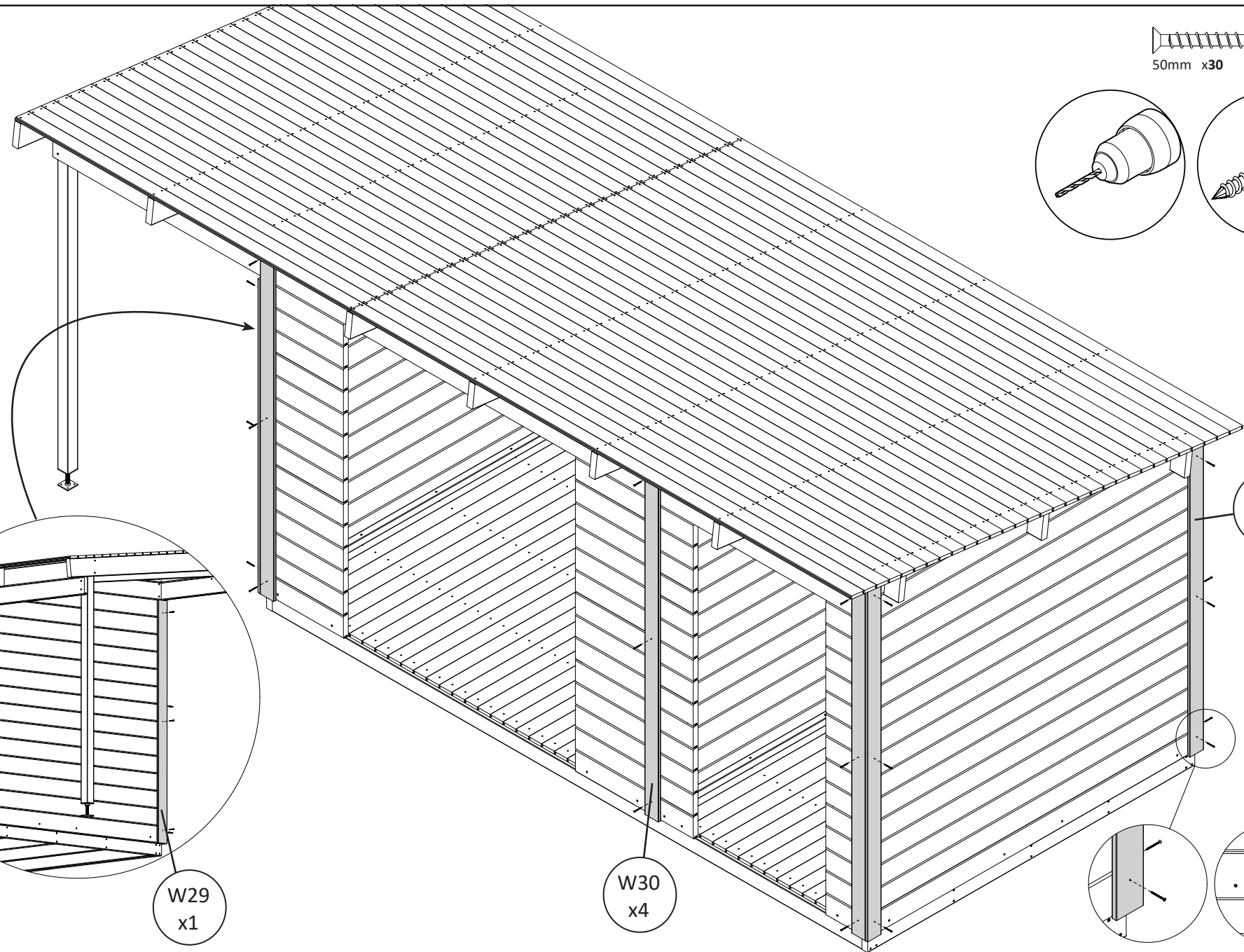
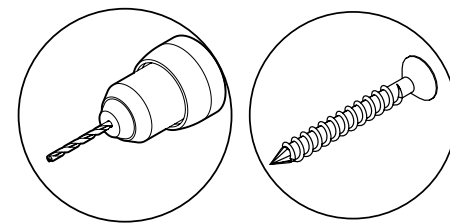




Pin x534



50mm x30

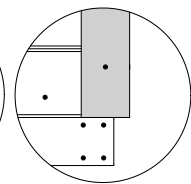
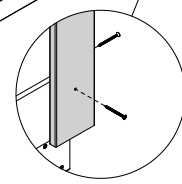


W28  
x1

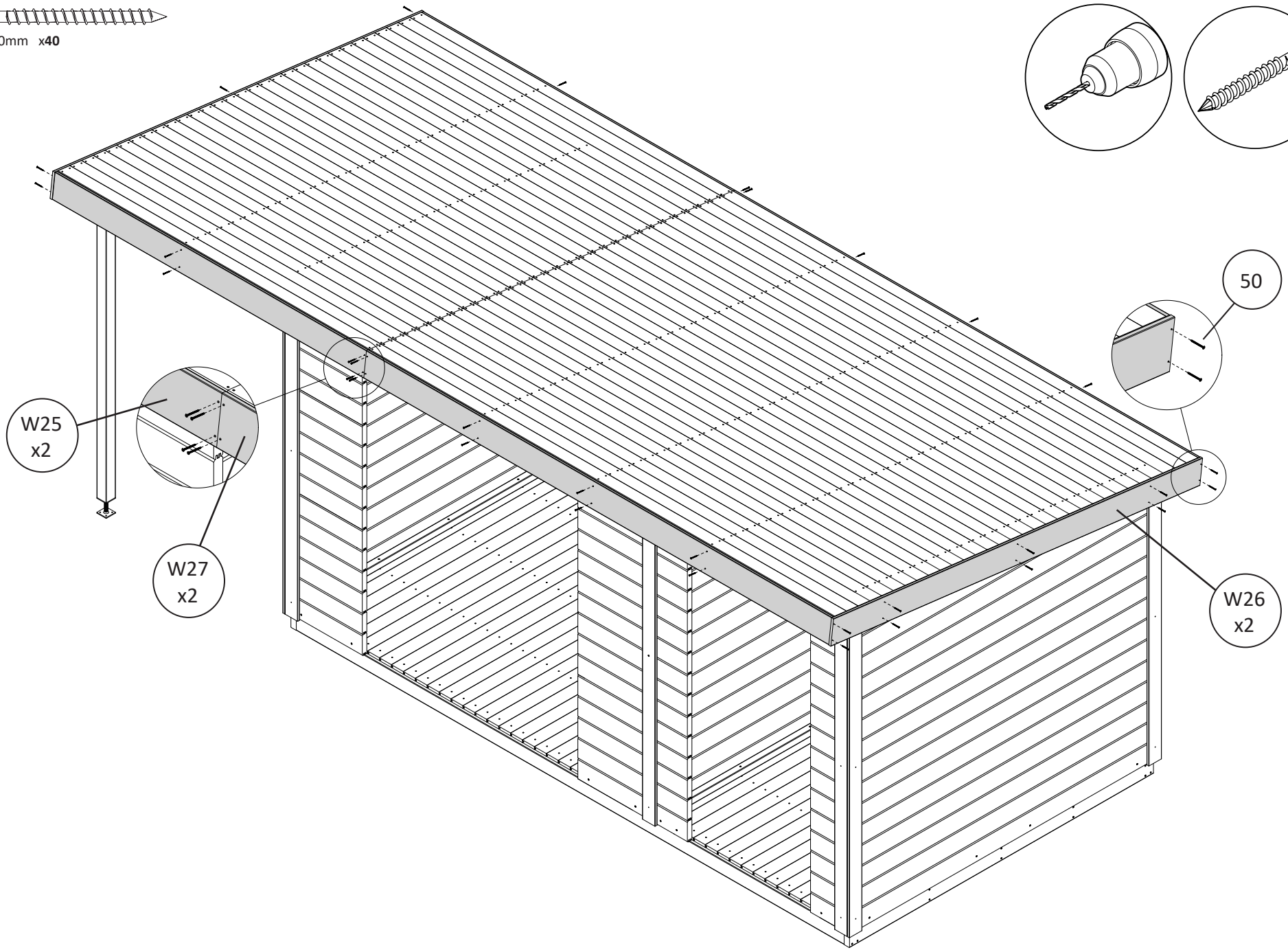
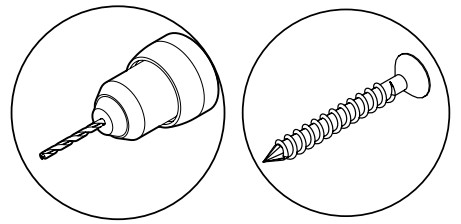
W29  
x1

W30  
x4

W29  
x4

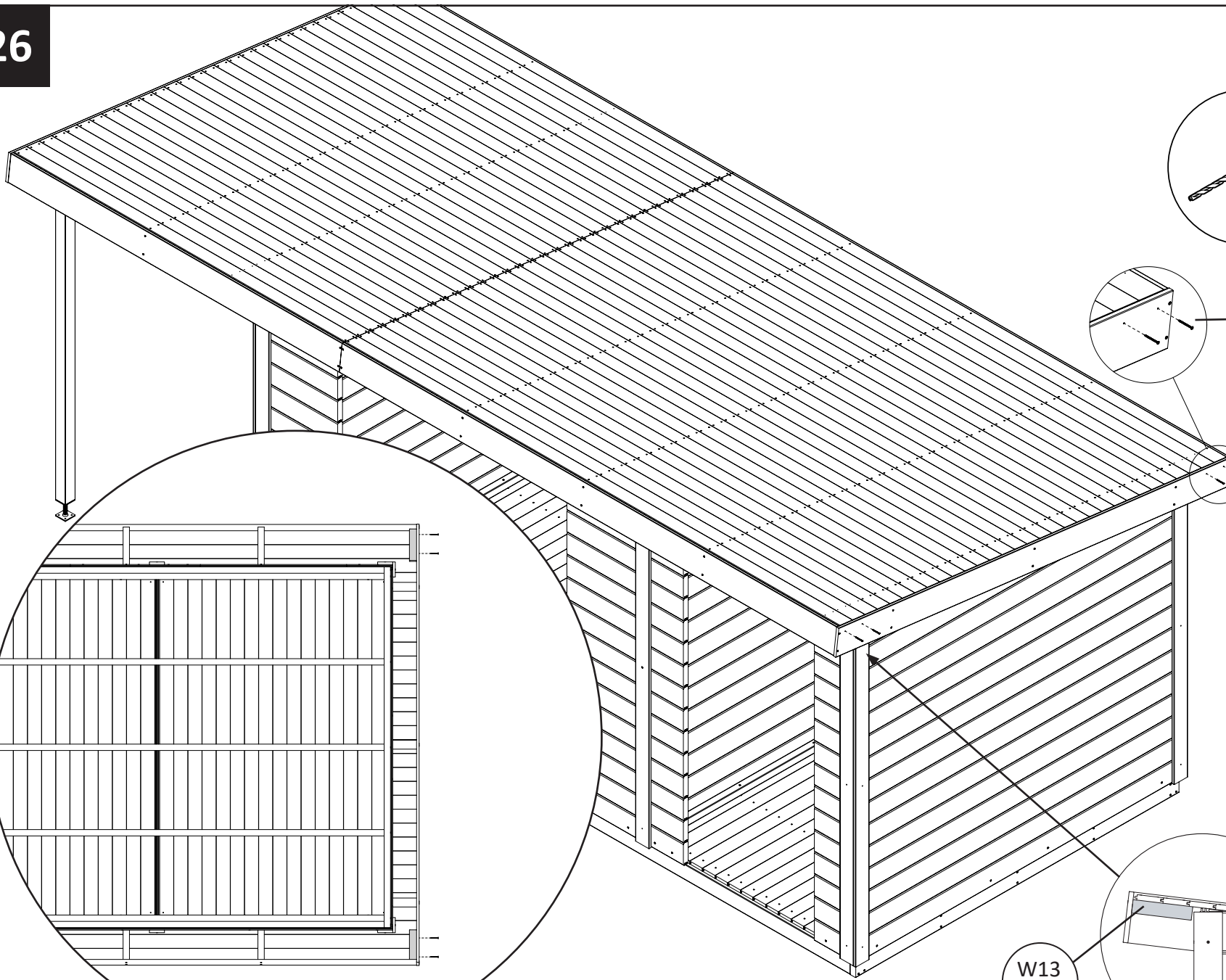
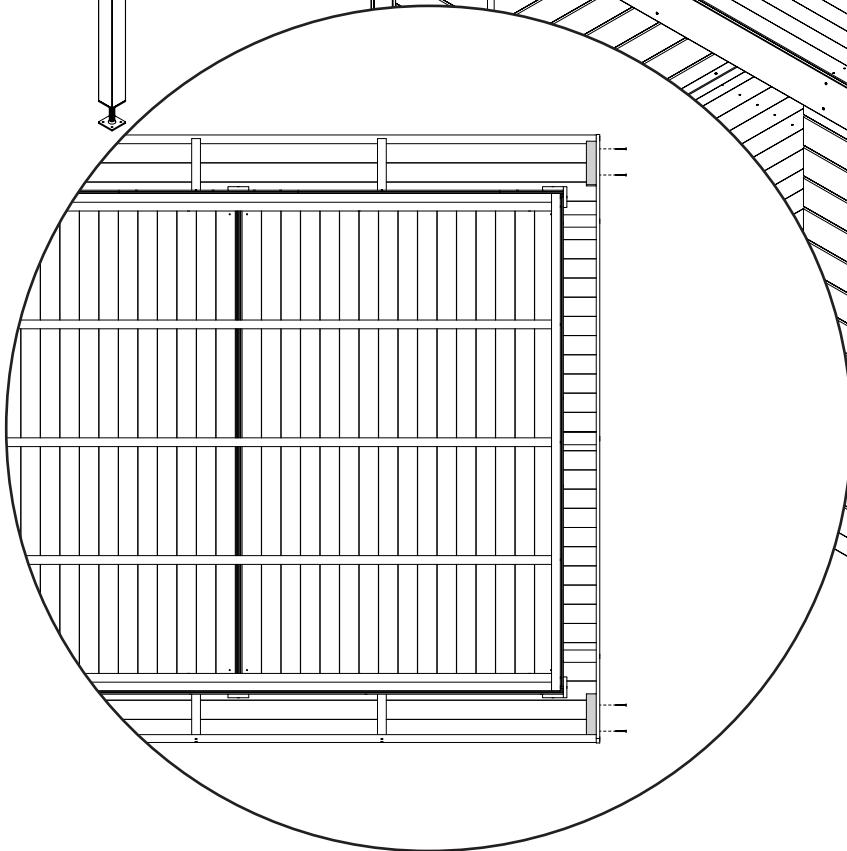
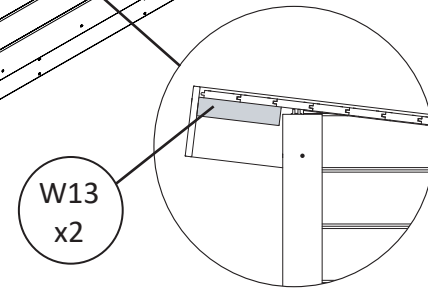
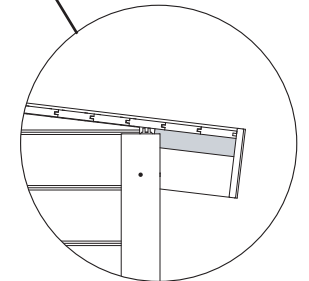
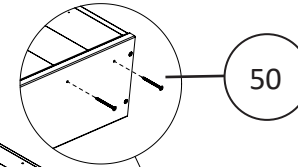
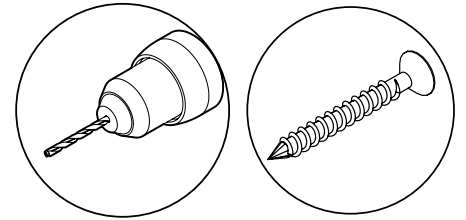


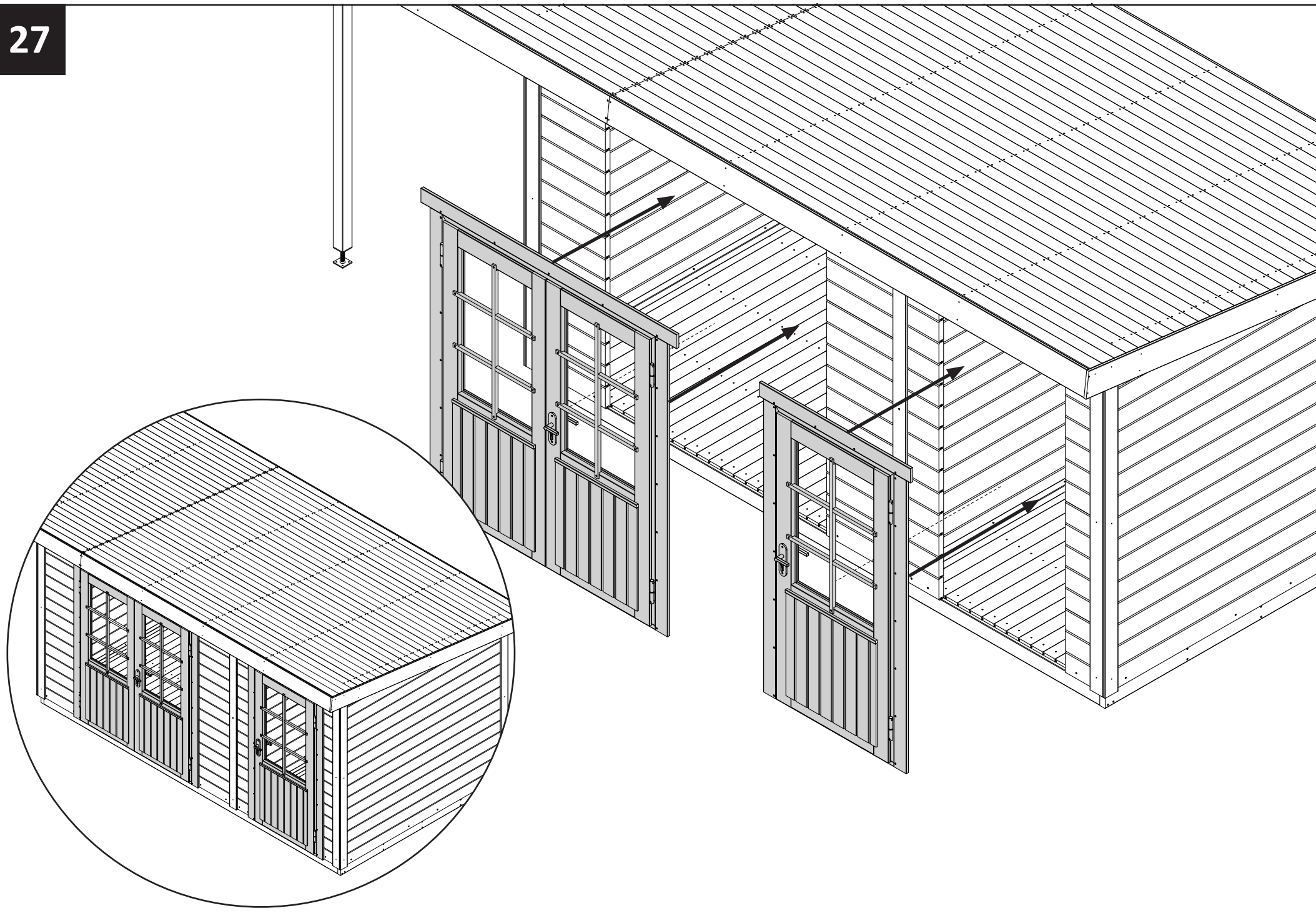
25



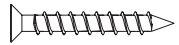
26

50mm x4





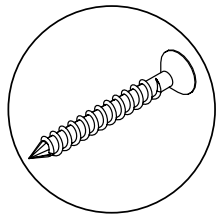
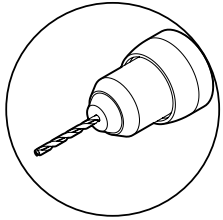
28



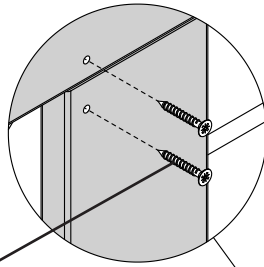
30mm x37



50mm x16



30



50

