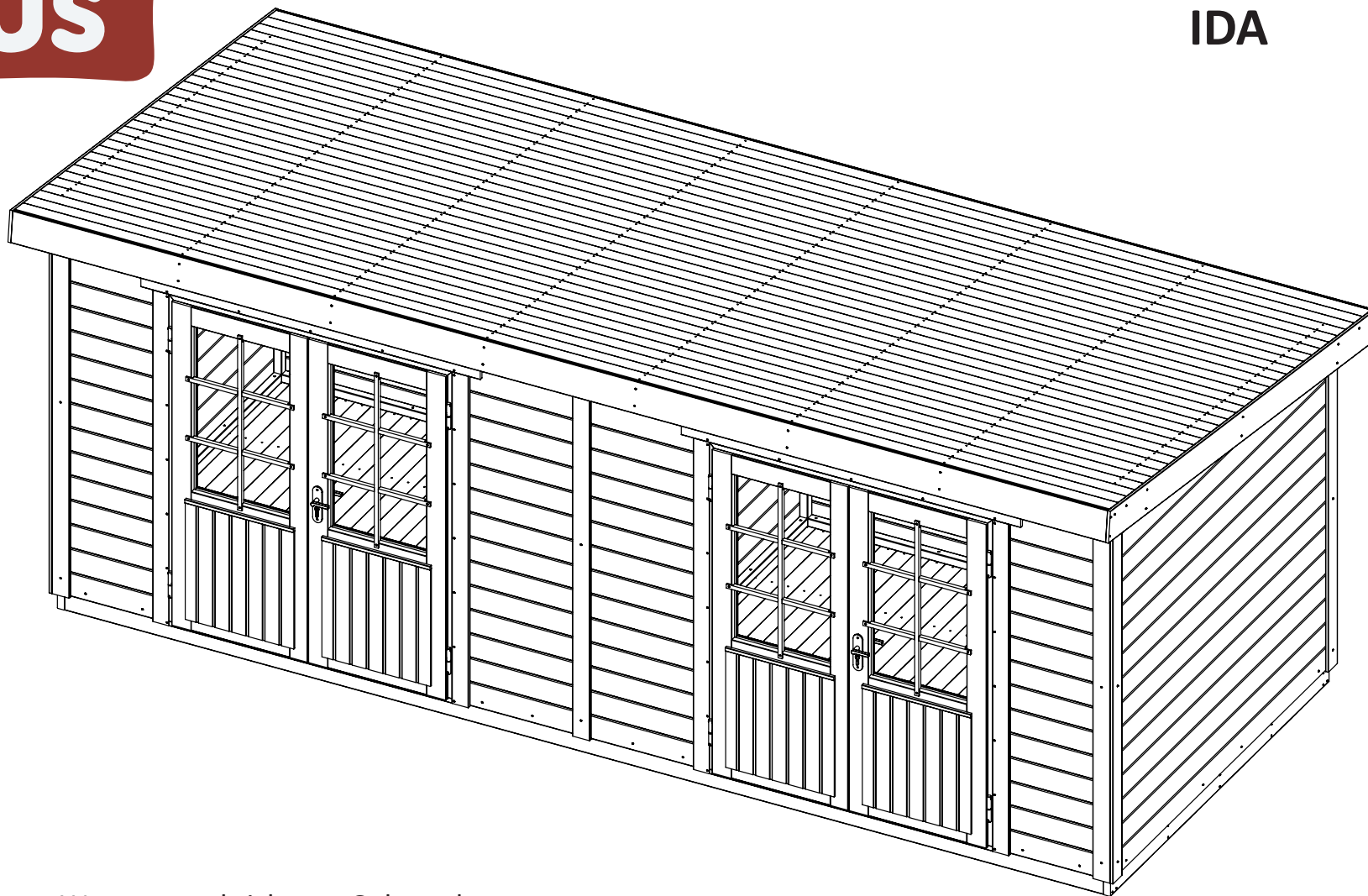


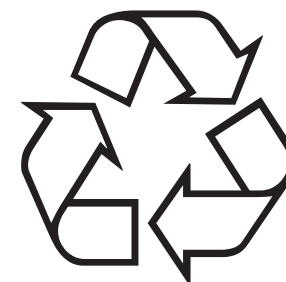
# Polhus

F5823/34-Ida  
IDA





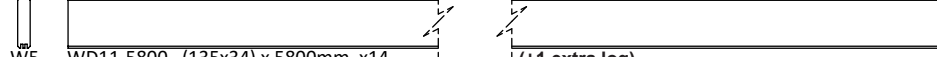
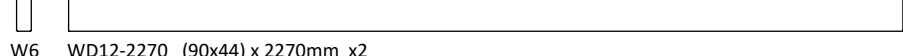
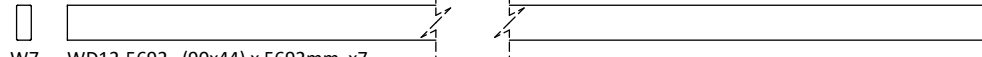
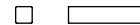
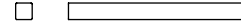

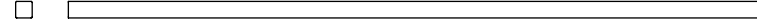
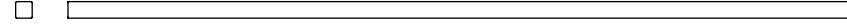

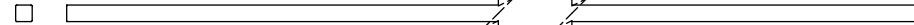




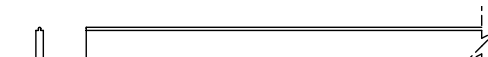









DE - Anweisungen für Montage, Wartung und sicheren Gebrauch.  
EN - Instructions for assembly, maintenance and safe use.  
FR - Instructions de montage, d'entretien et d'utilisation en toute sécurité.  
NL - Instructies voor montage, onderhoud en veilig gebruik.  
CZ - Pokyny pro montáž, údržbu a bezpečné použití.  
SK - Návod na montáž, údržbu a bezpečné používanie.  
SWE - Monteringsanvisning


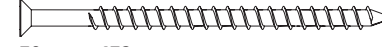

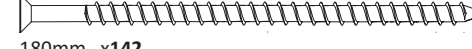
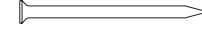
**Polhus**  
Polhus Aktiebolag  
Djäknegatan 31  
211 35 Malmö  
<https://www.polhus.com/>

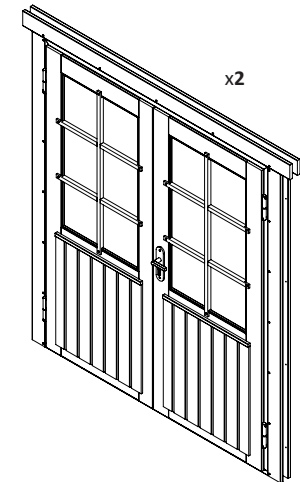


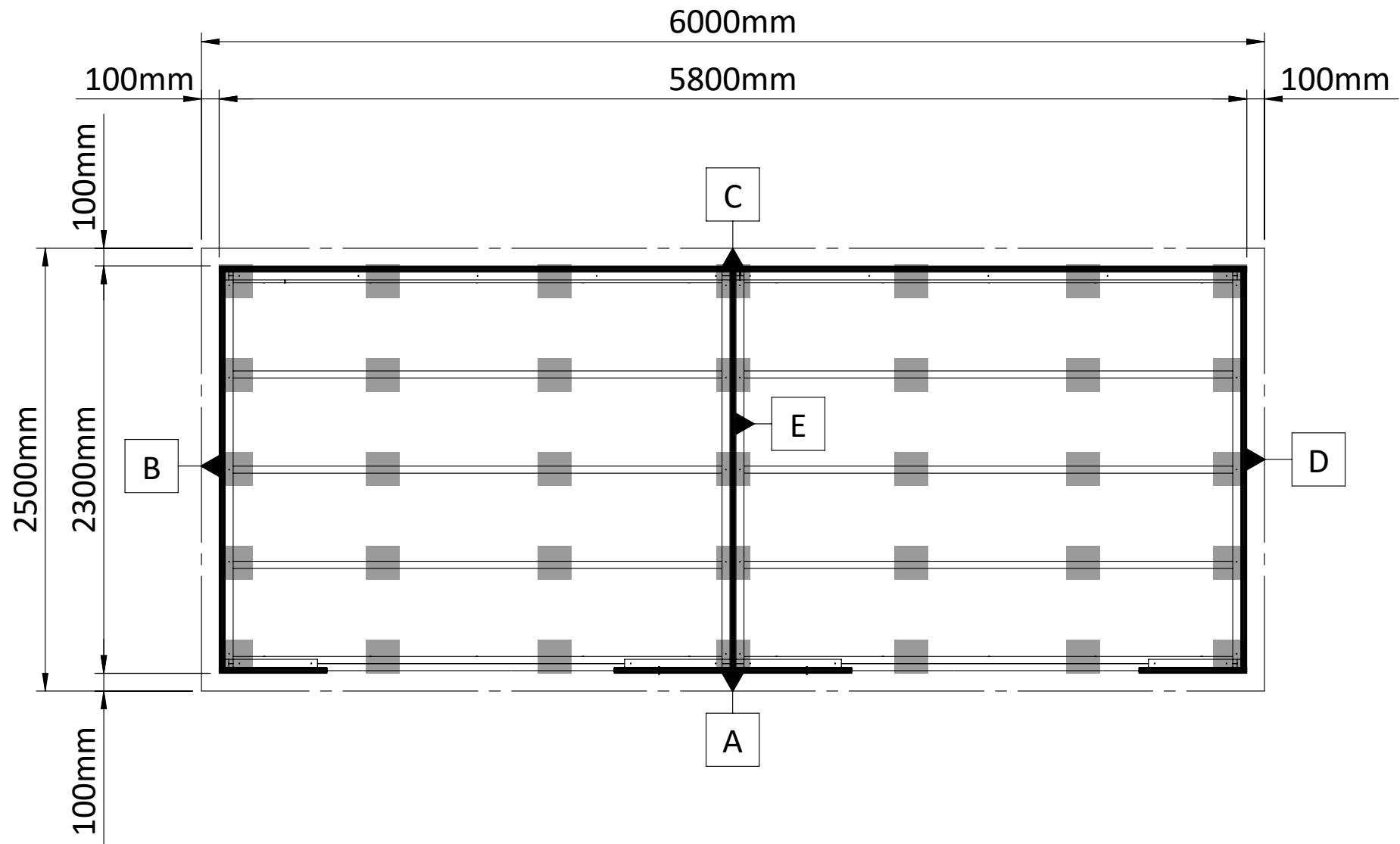
Issue - E 22/01/2024

- W1  WD11-0608 (135x34) x 608mm x28
- W2  WD11-0790 (135x34) x 790mm x14
- W3  WD11-1340 (135x34) x 1340mm x14
- W4  WD11-2232 (135x34) x 2232mm x42
- W5  WD11-5800 (135x34) x 5800mm x14 (+1 extra log)
- W6  WD12-2270 (90x44) x 2270mm x2
- W7  WD12-5692 (90x44) x 5692mm x7
- W8  WD13-0200 (45x45) x 200mm x4
- W9  WD13-0476 (45x45) x 476mm x2
- W10  WD13-0550 (45x45) x 550mm x2
- W11  WD13-1894 (45x45) x 1894mm x4
- W12  WD13-2142 (45x45) x 2142mm x4
- W13  WD13-2166 (45x45) x 2166mm x4
- W14  WD13-2759 (45x45) x 2759mm x2
- W15  WD14-2230 (88x18) x 2230mm x66
- W16  WD14-2583 (88x18) x 2583mm x32

- W17  WD14-3417 (88x18) x 3417mm x33
- W18  WD15-0100 (144X44) x 100mm x6
- W19  WD15-2740 (144X44) x 2740mm x6
- W20  WD32-2584 (170x18) x 2584mm x2
- W21  WD32-2780 (170x18) x 2780mm x2
- W22  WD32-3416 (170x18) x 3416mm x2
- W23  WD34-1900 (95x18) x 1900mm x5
- W24  WD34-2174 (95x18) x 2174mm x5
- W25  WD1471 (135x34) x 2232mm x3
- W26  WD1472 (135x34) x 1192mm x3

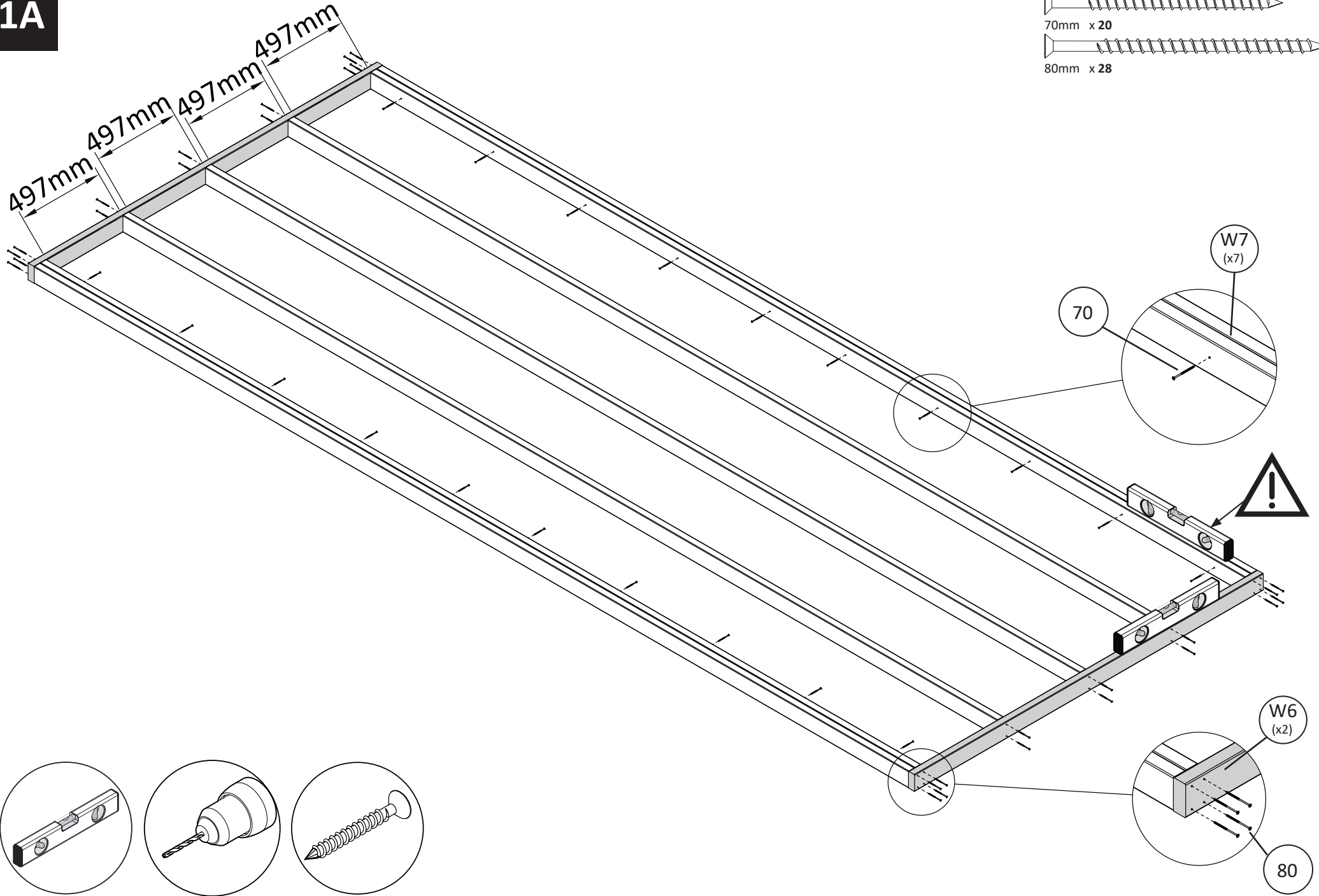
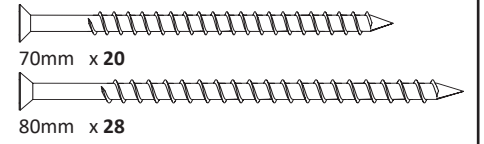
-  50mm x102
-  70mm x472
-  80mm x28
-  180mm x142
-  Pin x854



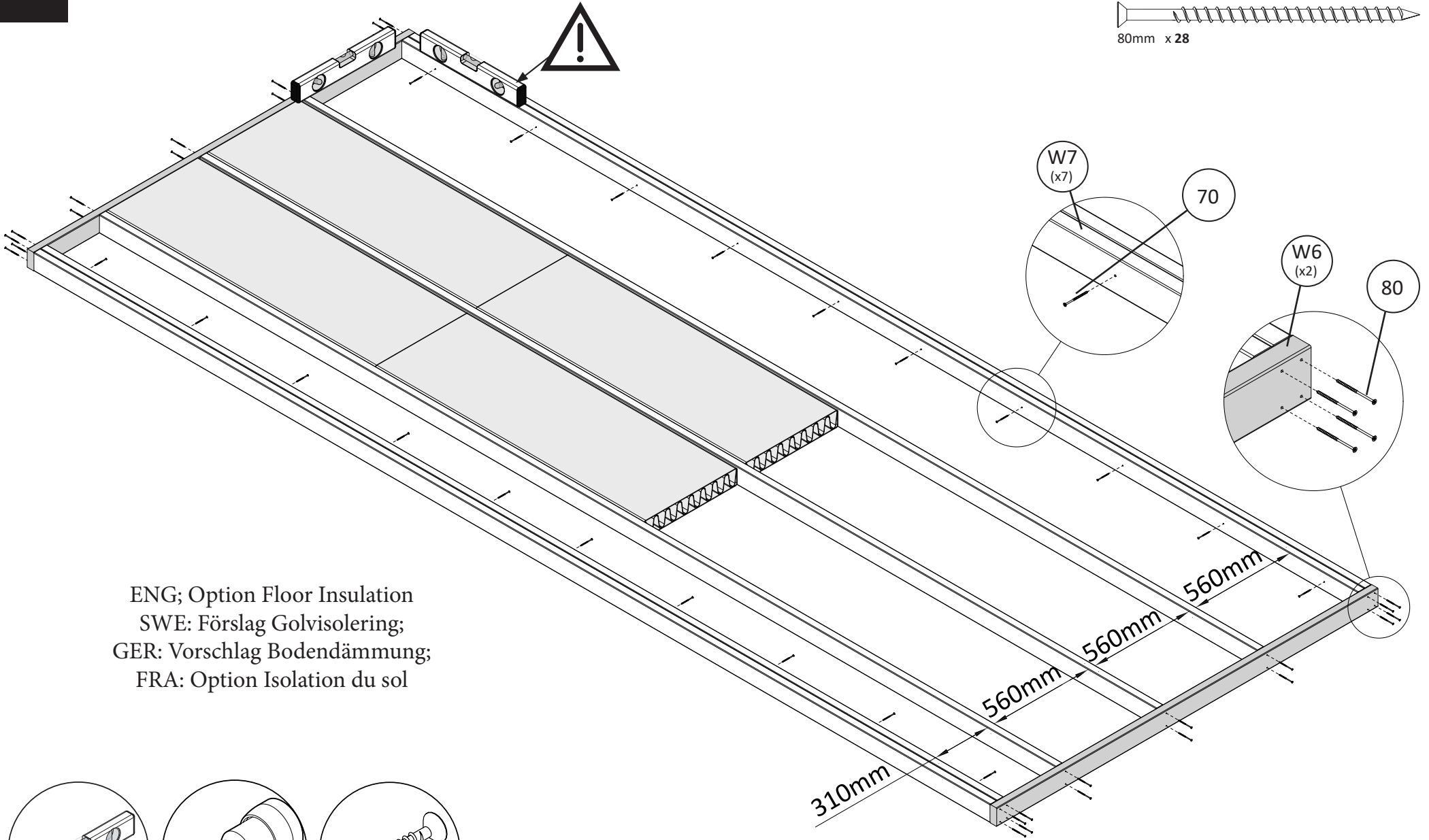
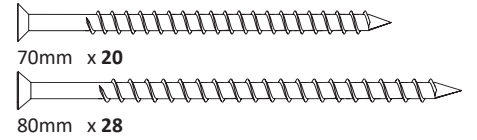


PLINTPLAN / FOUNDATION PLAN / BETONBLOCK / PLAN DE FONDATIONS

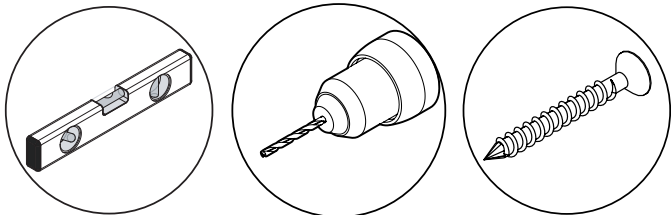
1A



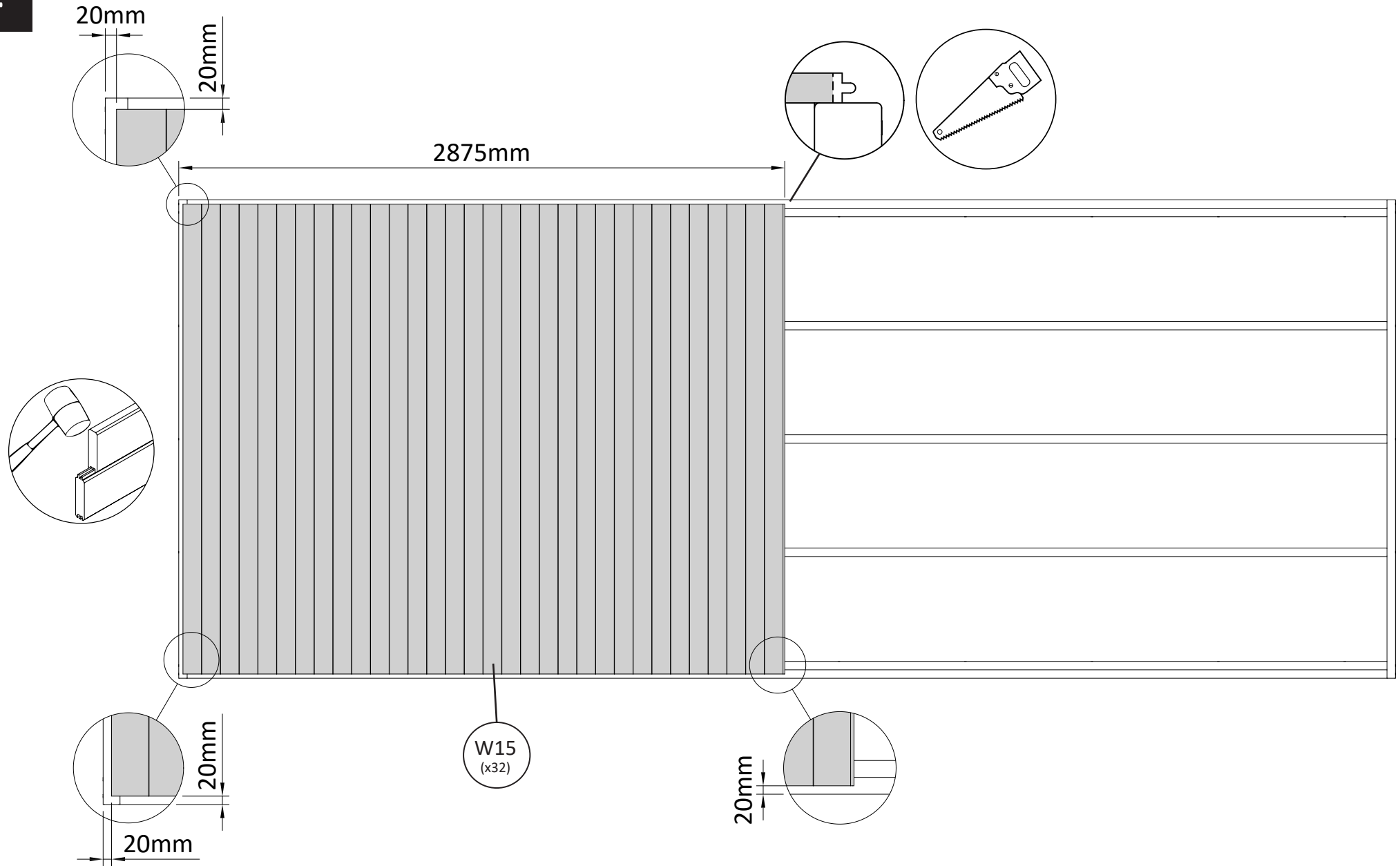
1B



ENG; Option Floor Insulation  
SWE: Förslag Golvisolering;  
GER: Vorschlag Bodendämmung;  
FRA: Option Isolation du sol

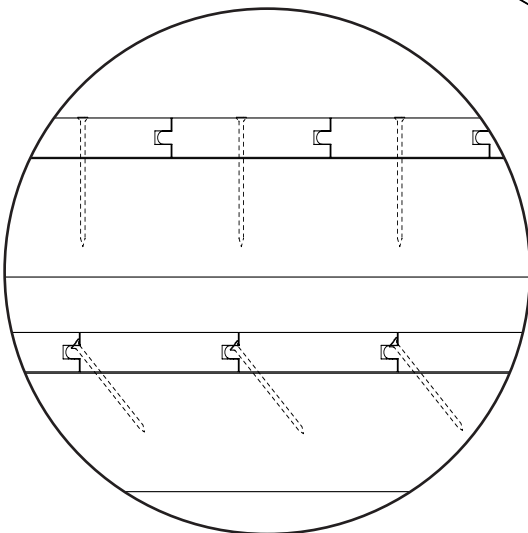
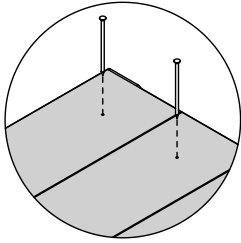
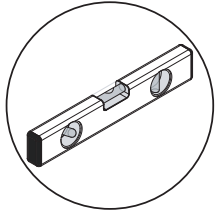
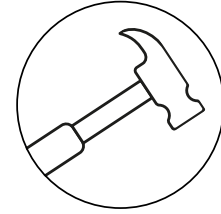


2

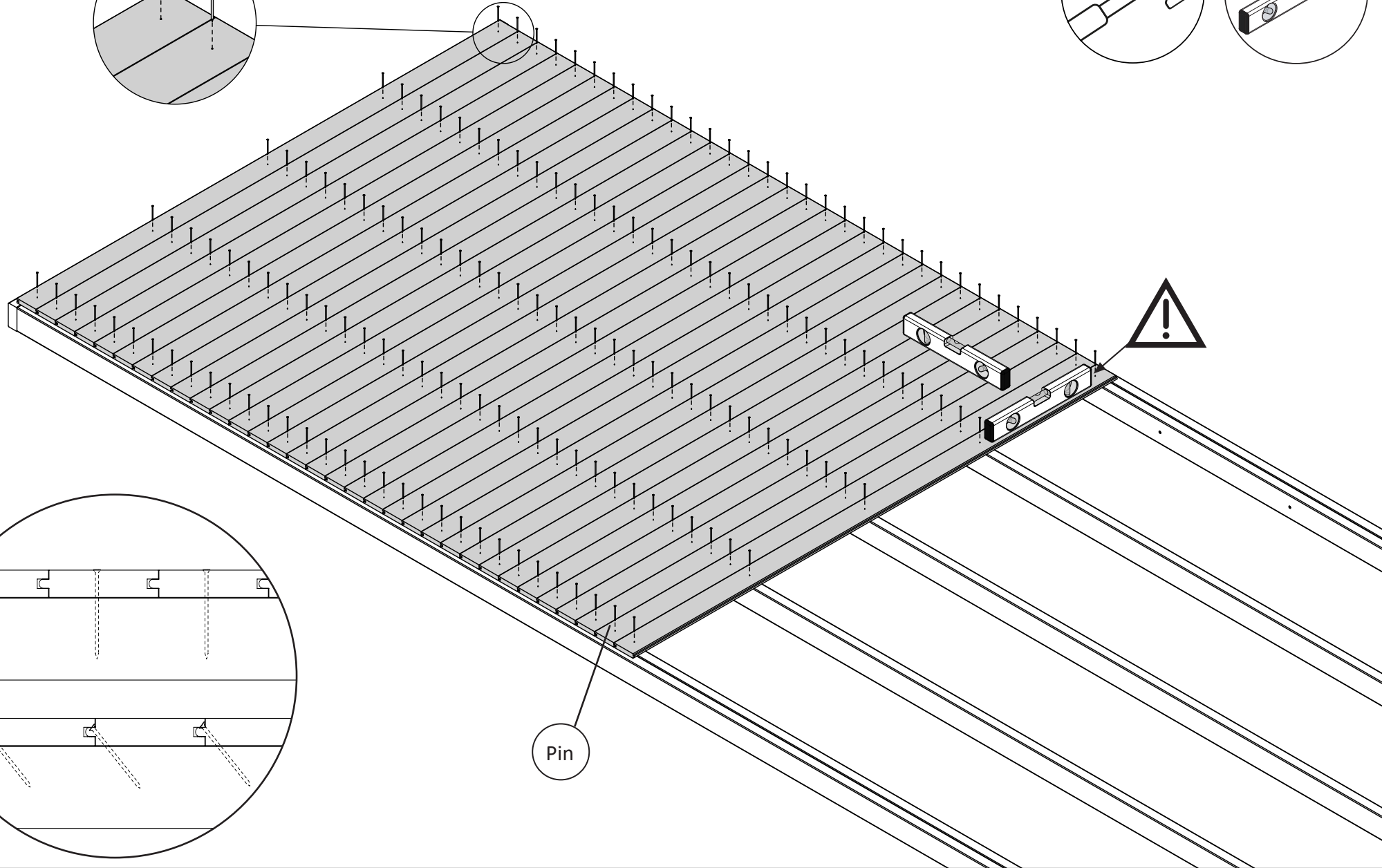


3

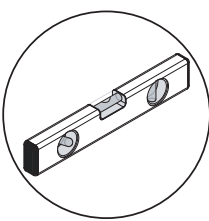
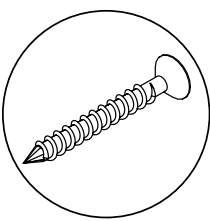
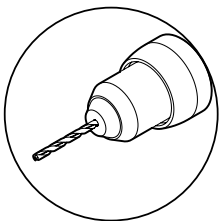
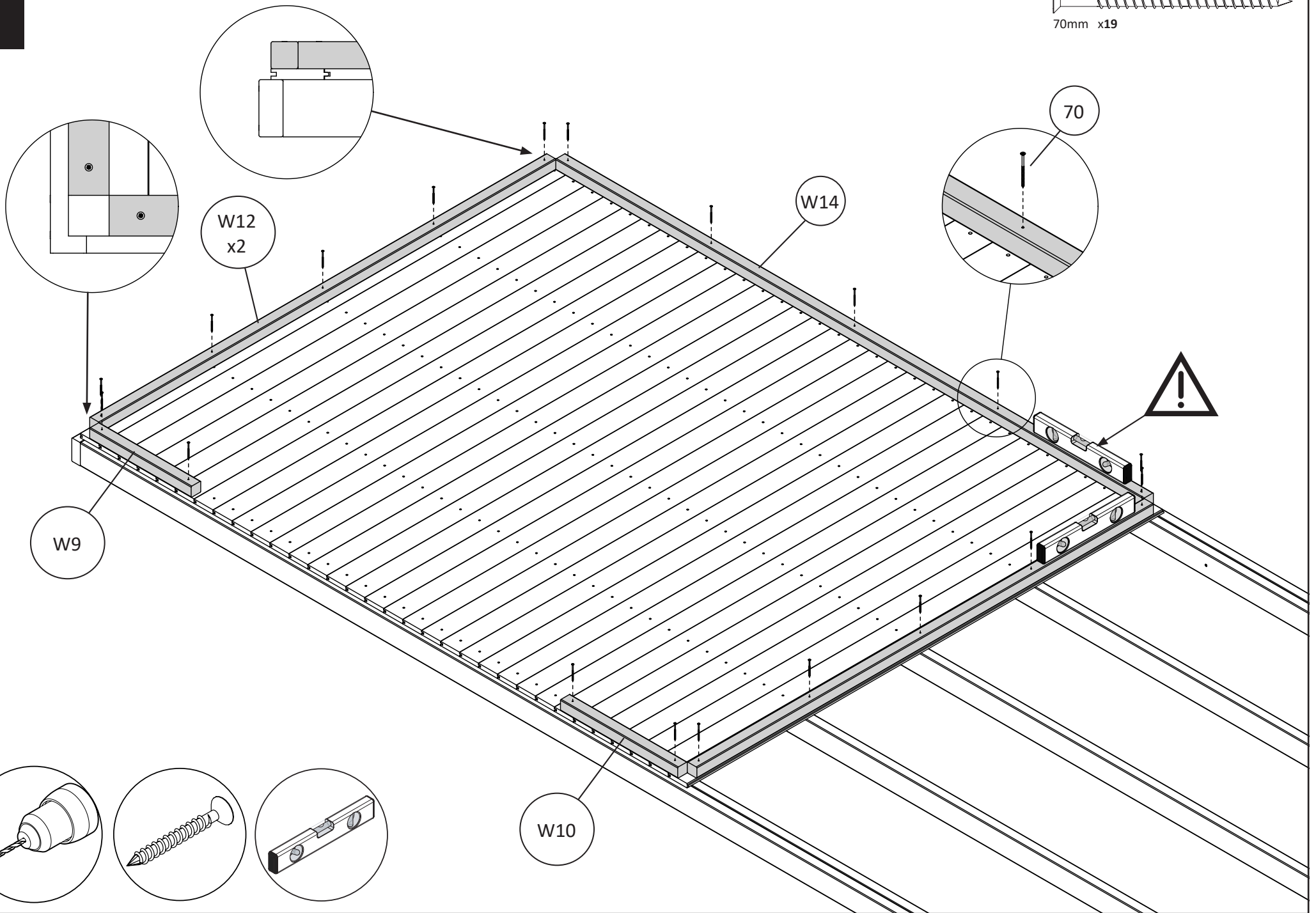
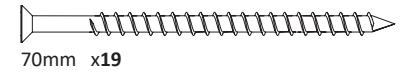
Pin x160



Pin



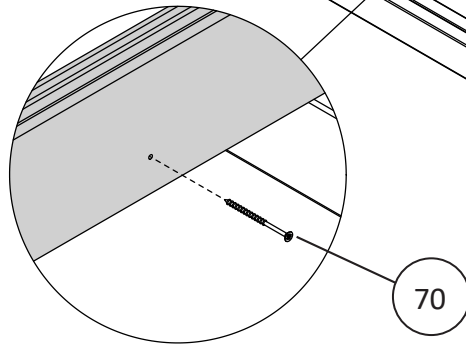
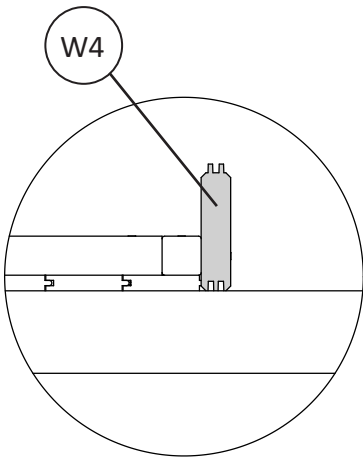
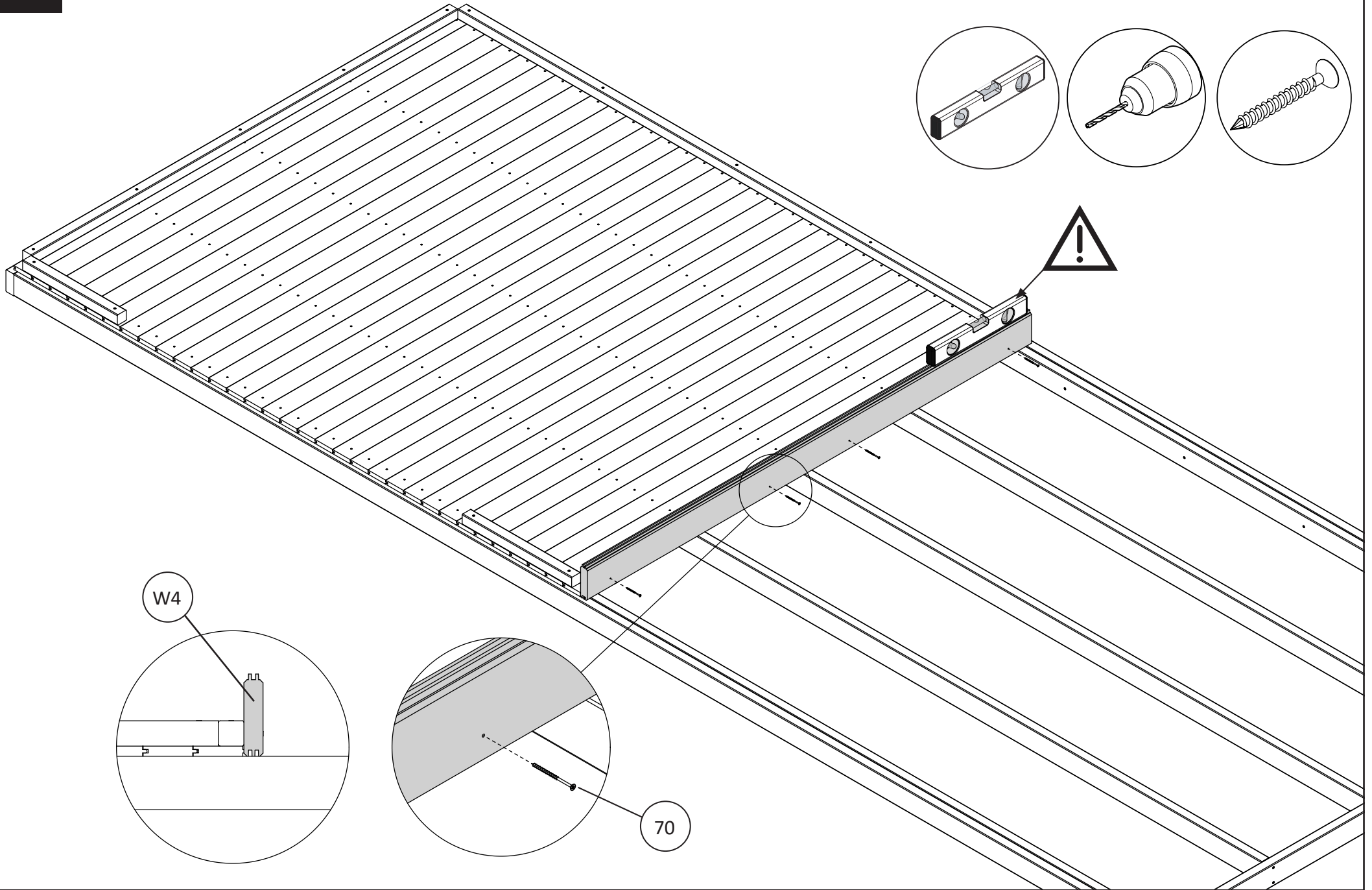
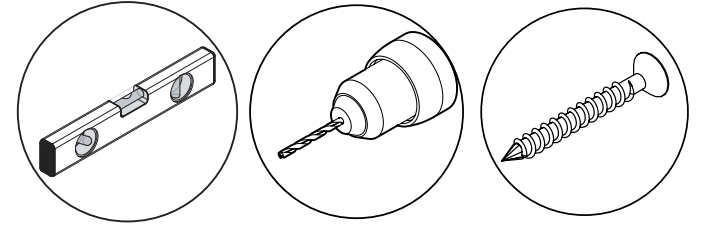
4



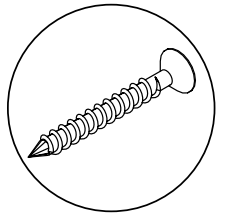
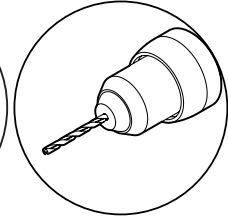
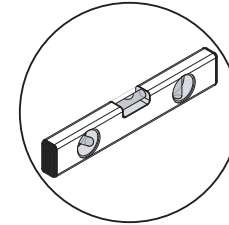
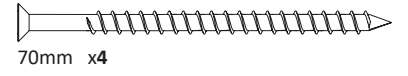


5

70mm x4



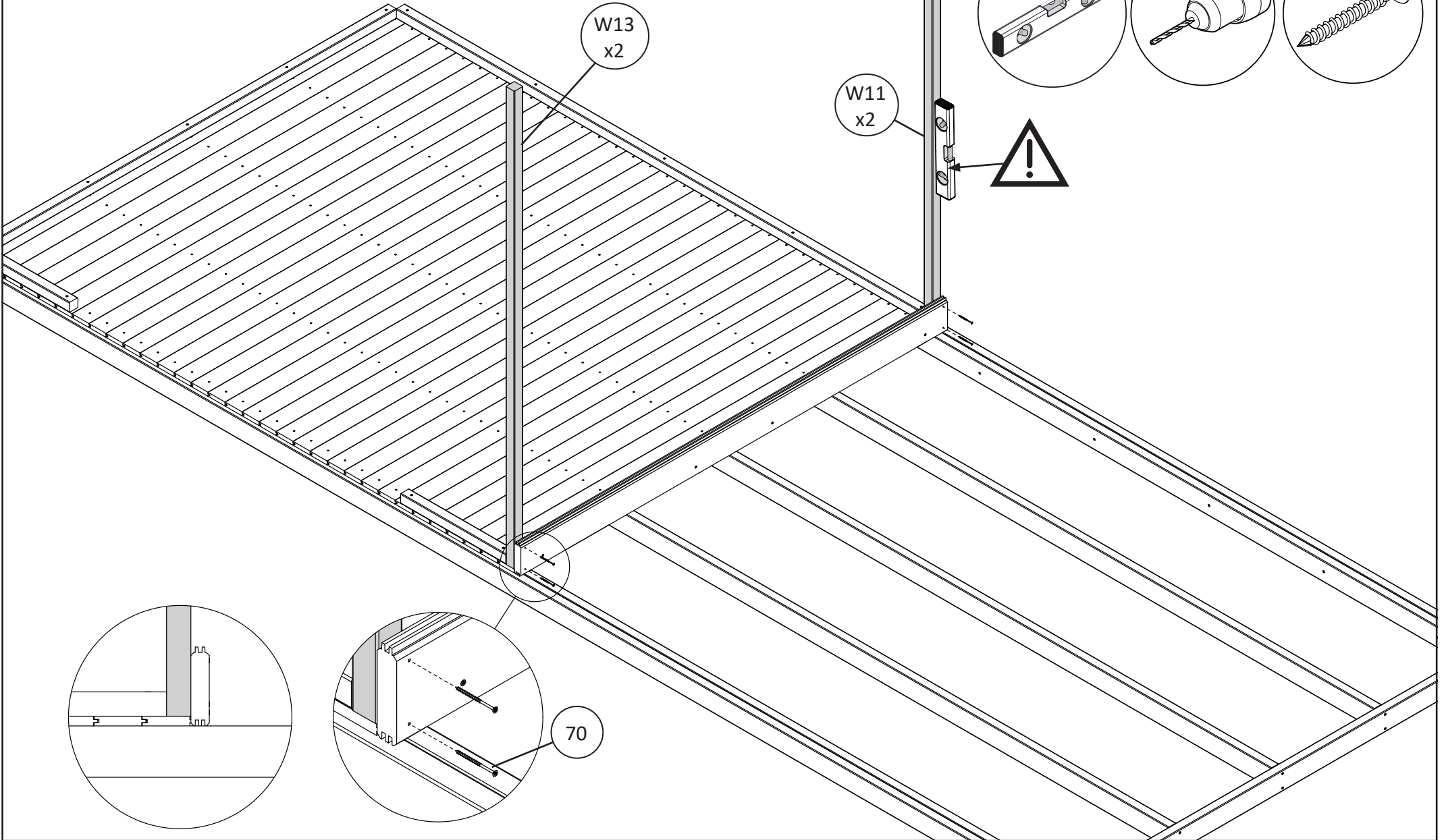
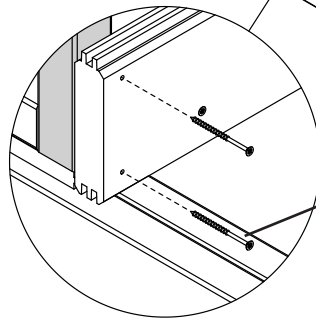
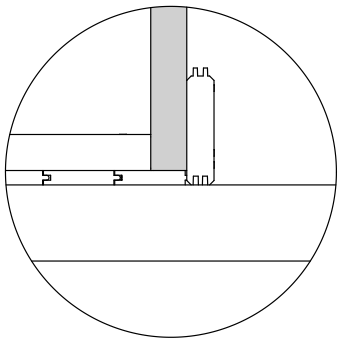
6



W13  
x2

W11  
x2

70



7

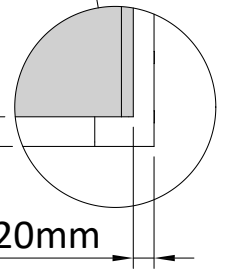
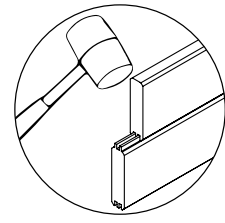
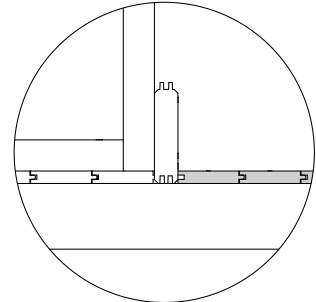
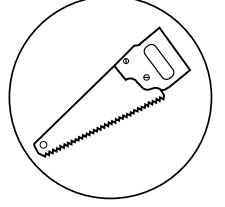
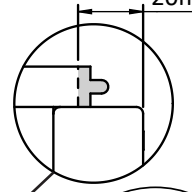
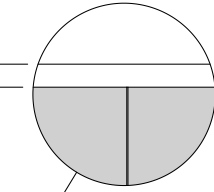
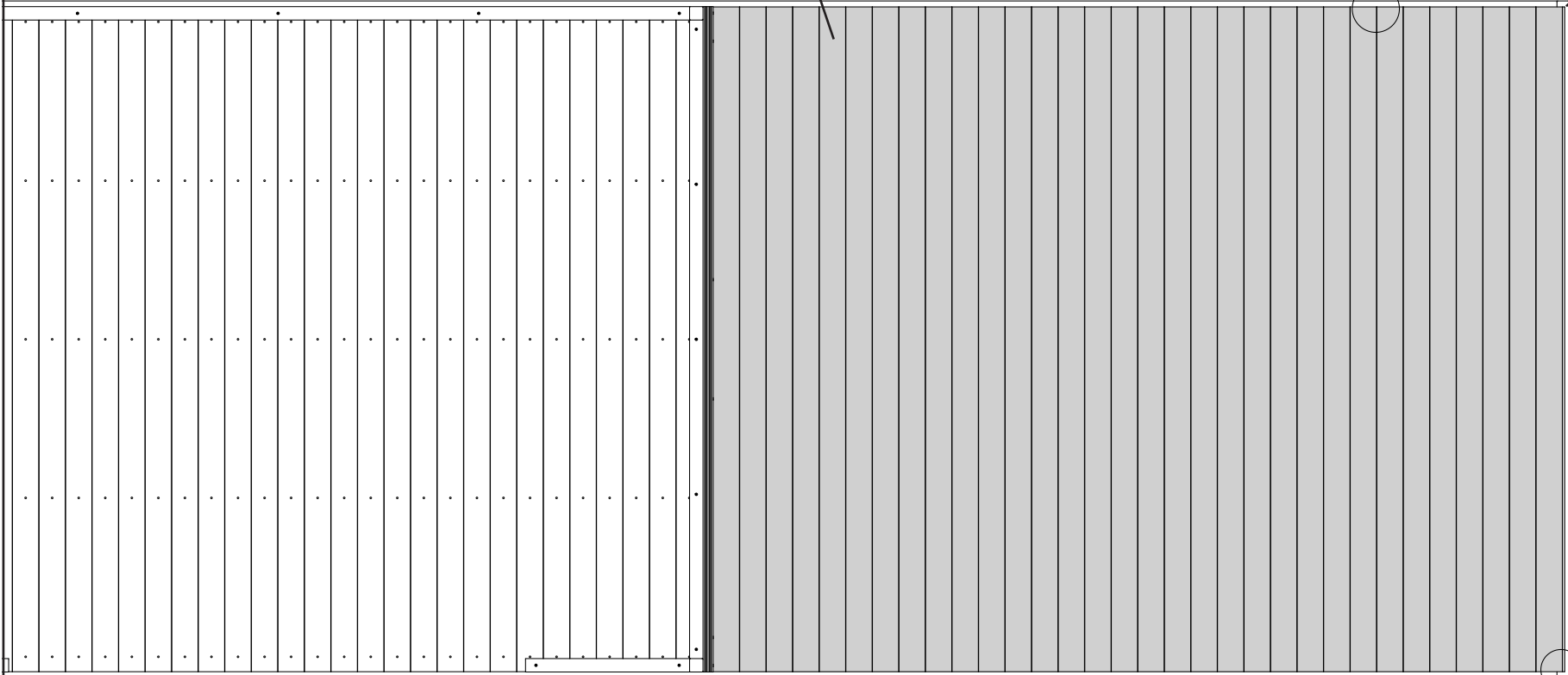
W15  
(x32)

20mm

20mm

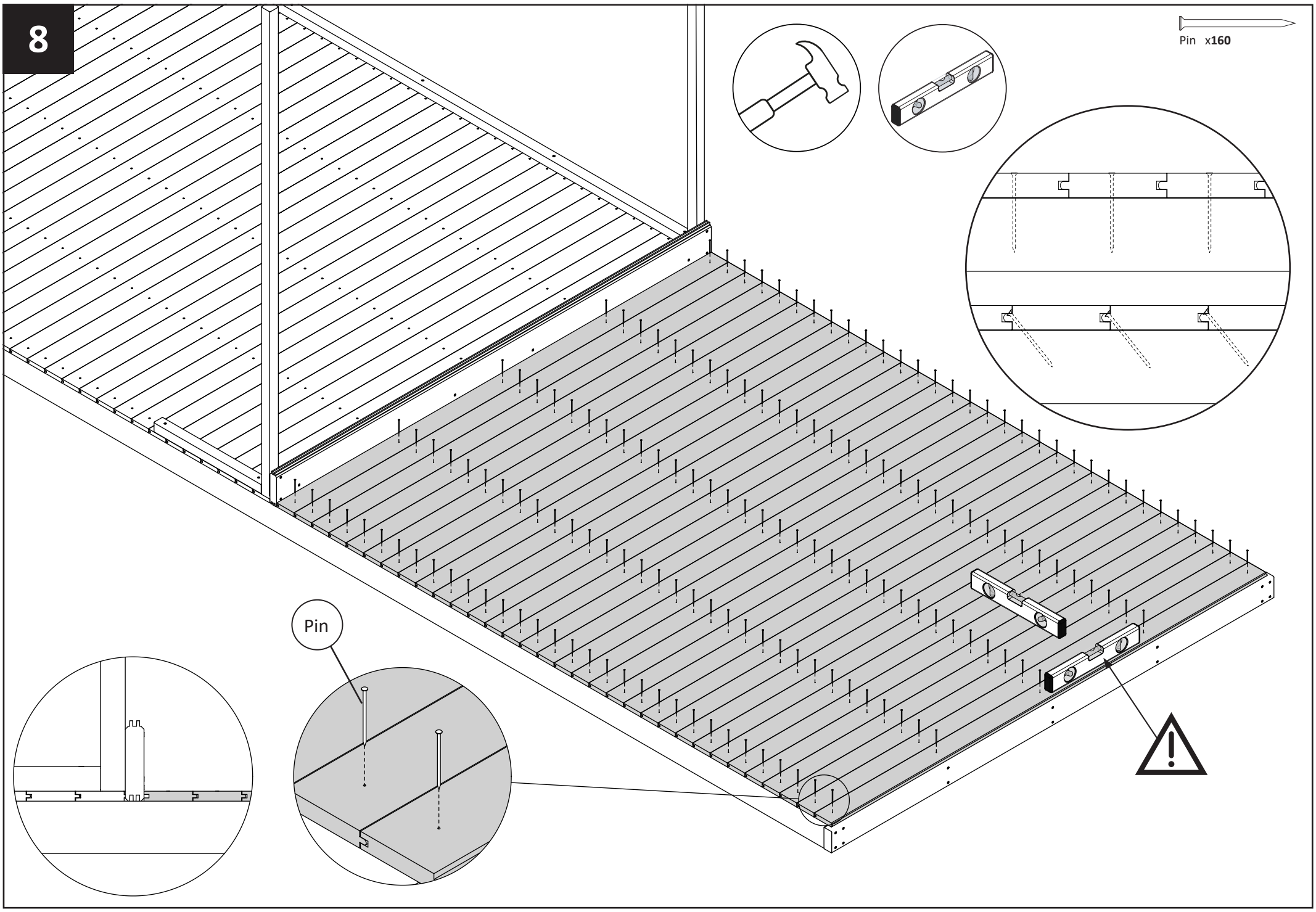
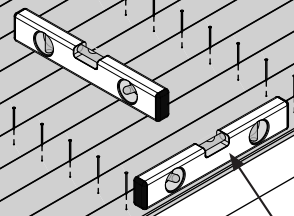
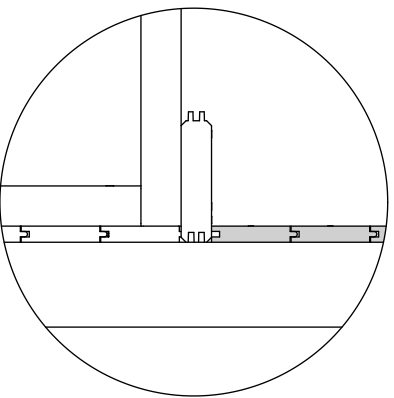
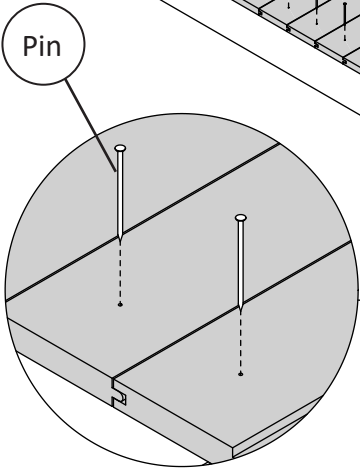
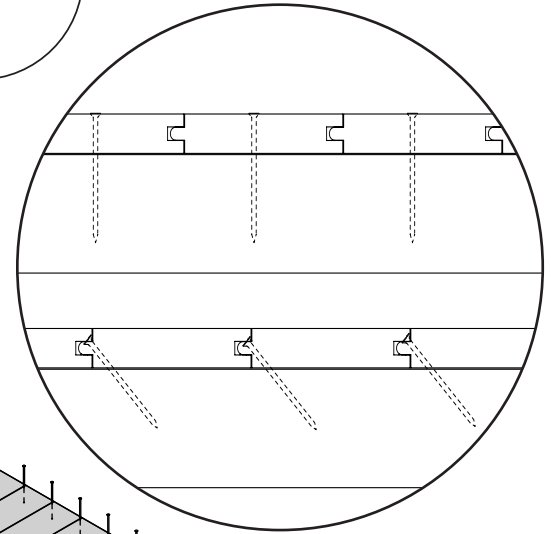
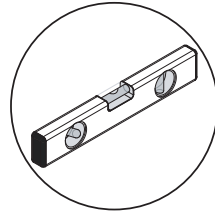
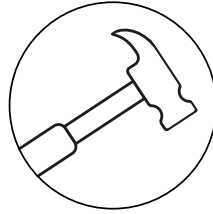
20mm

20mm

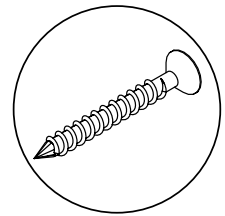
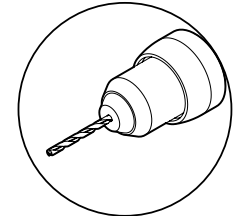
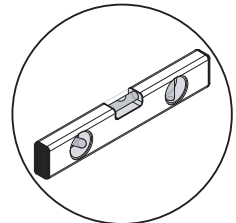
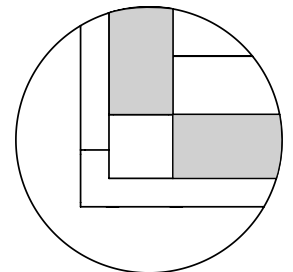
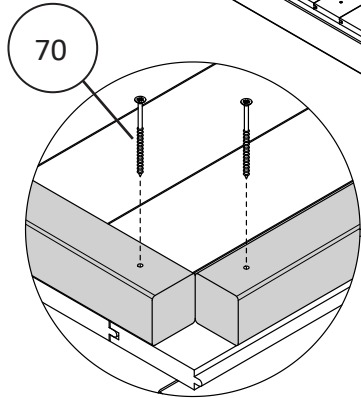
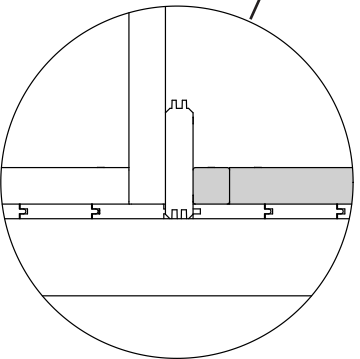
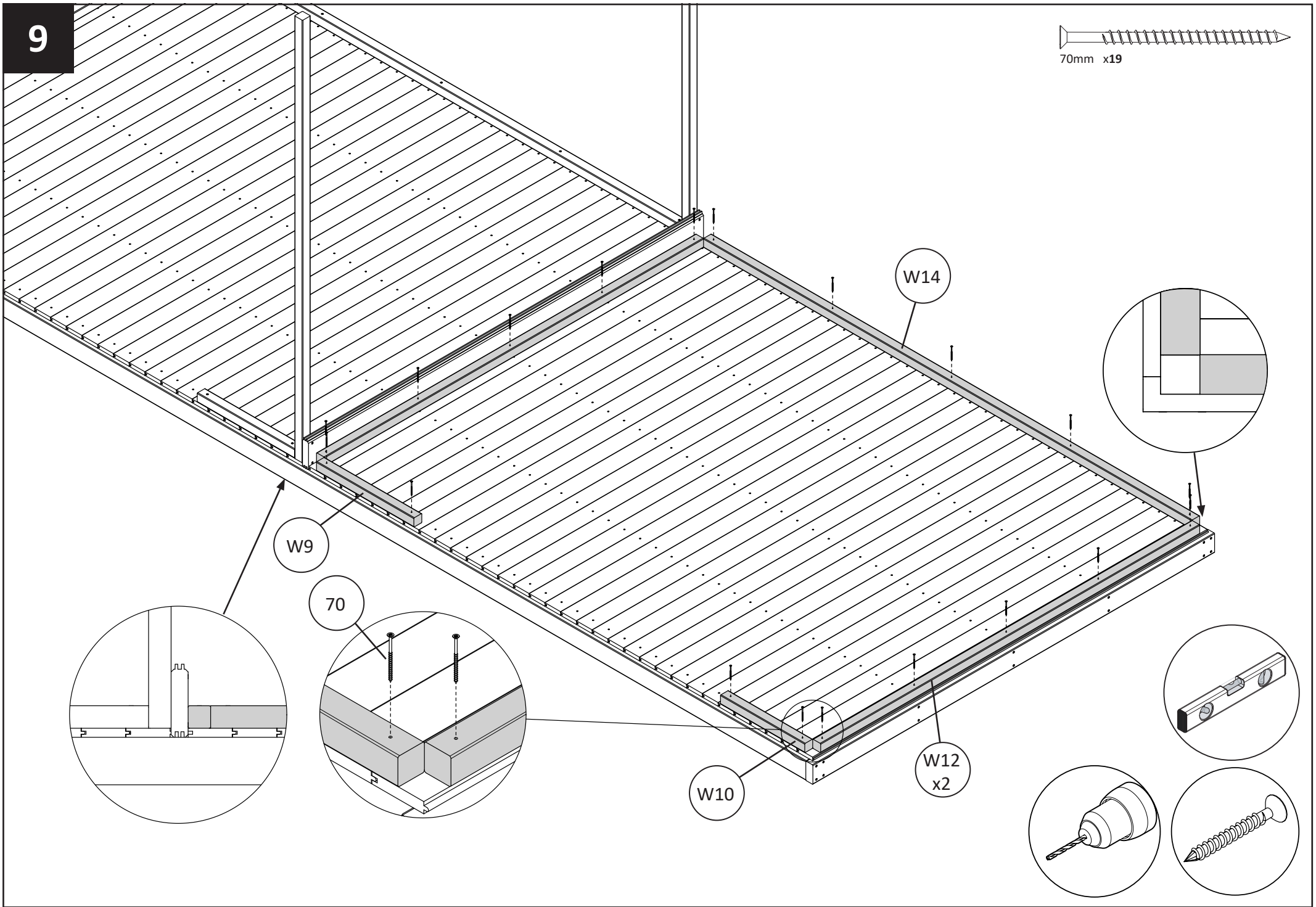
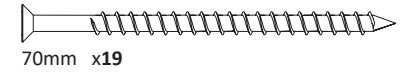


8

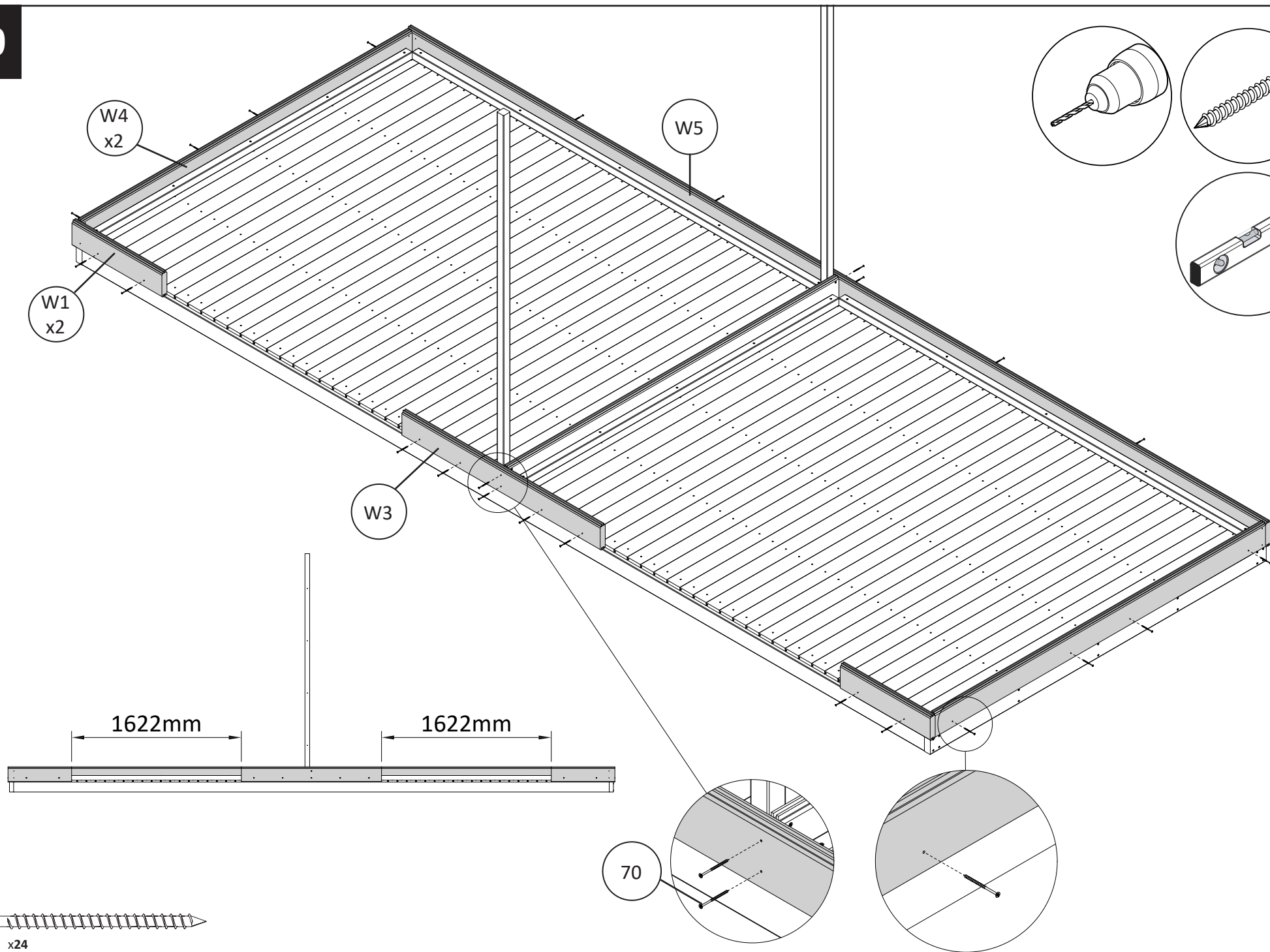
Pin x160



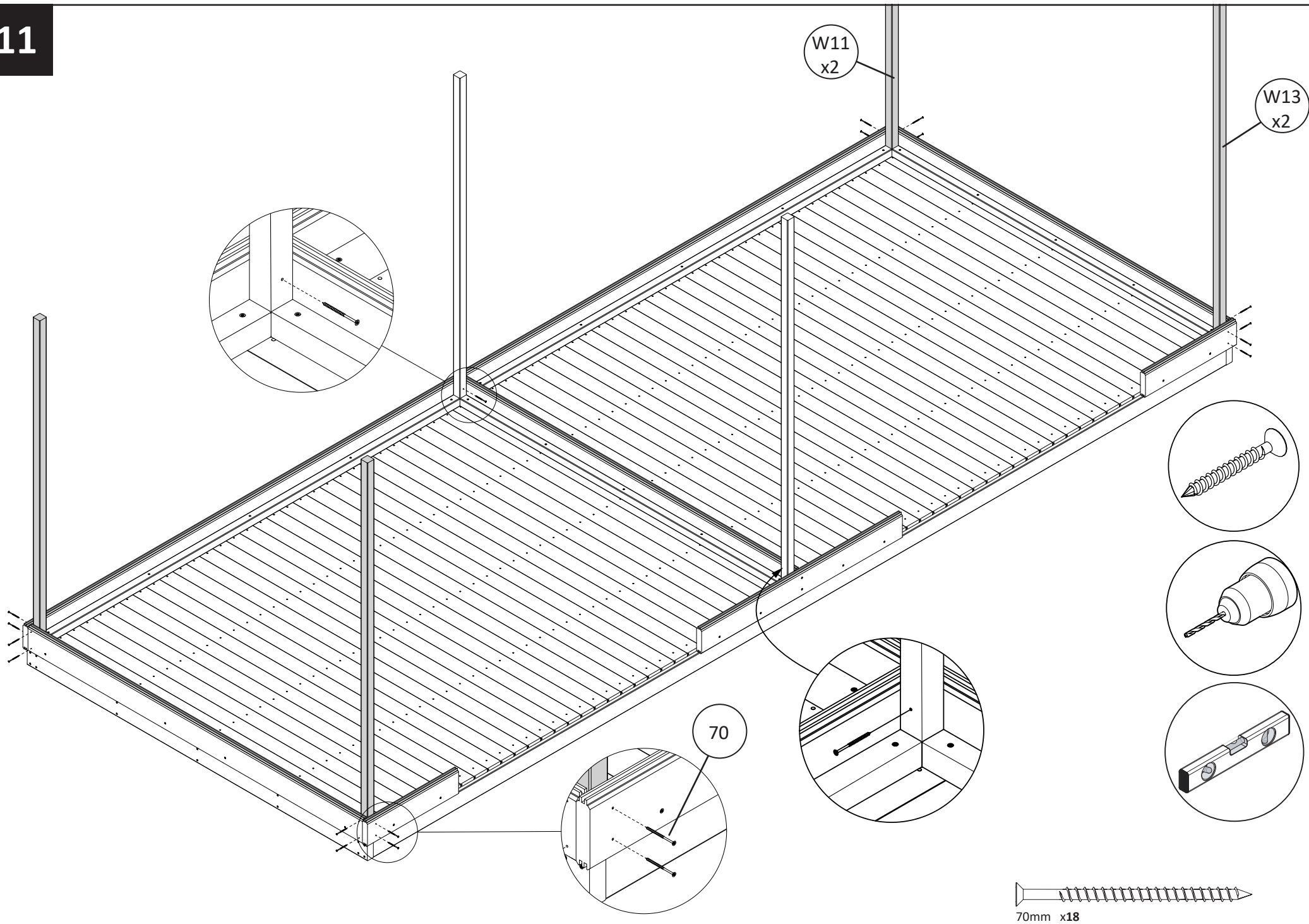
9



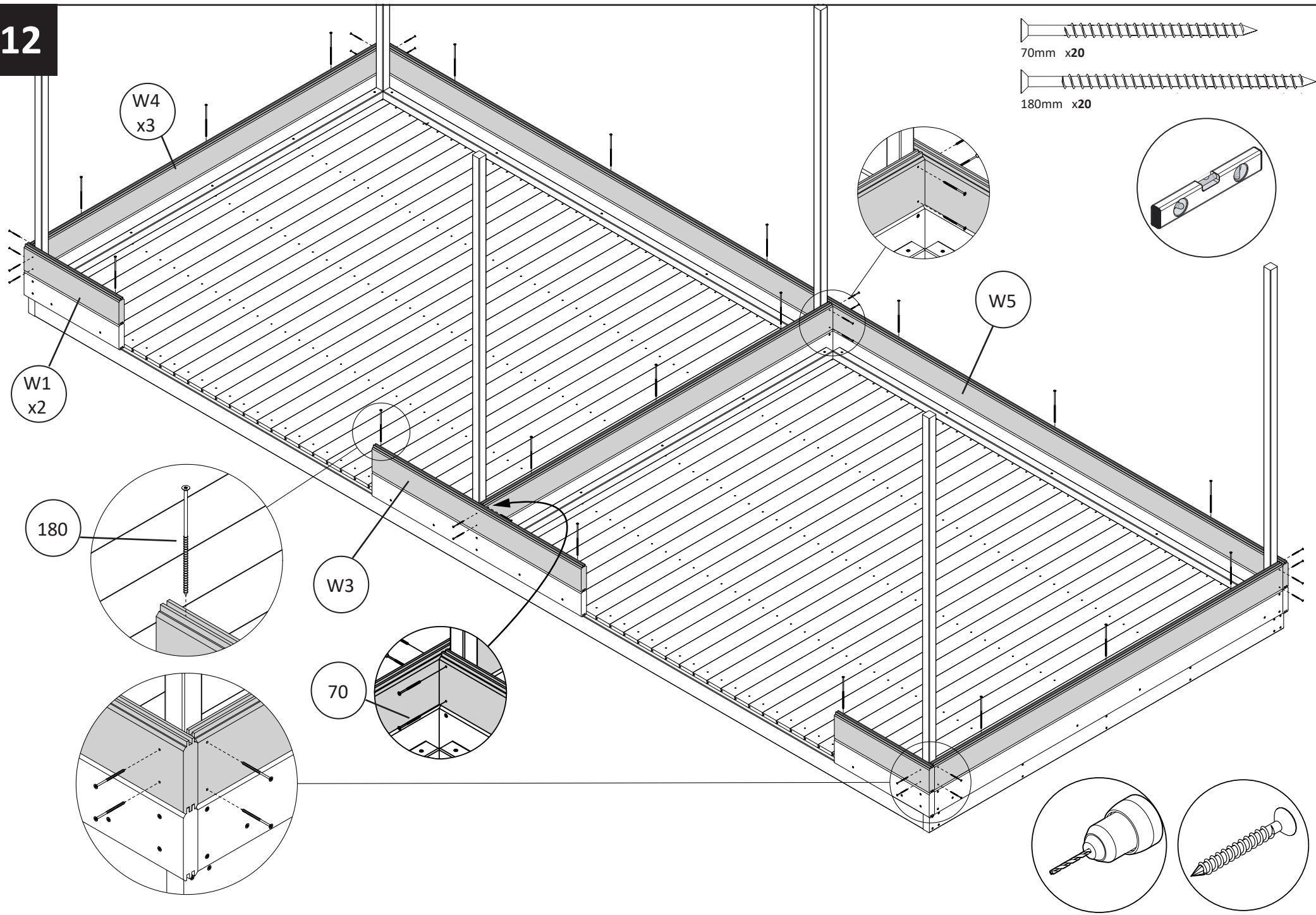
10



11

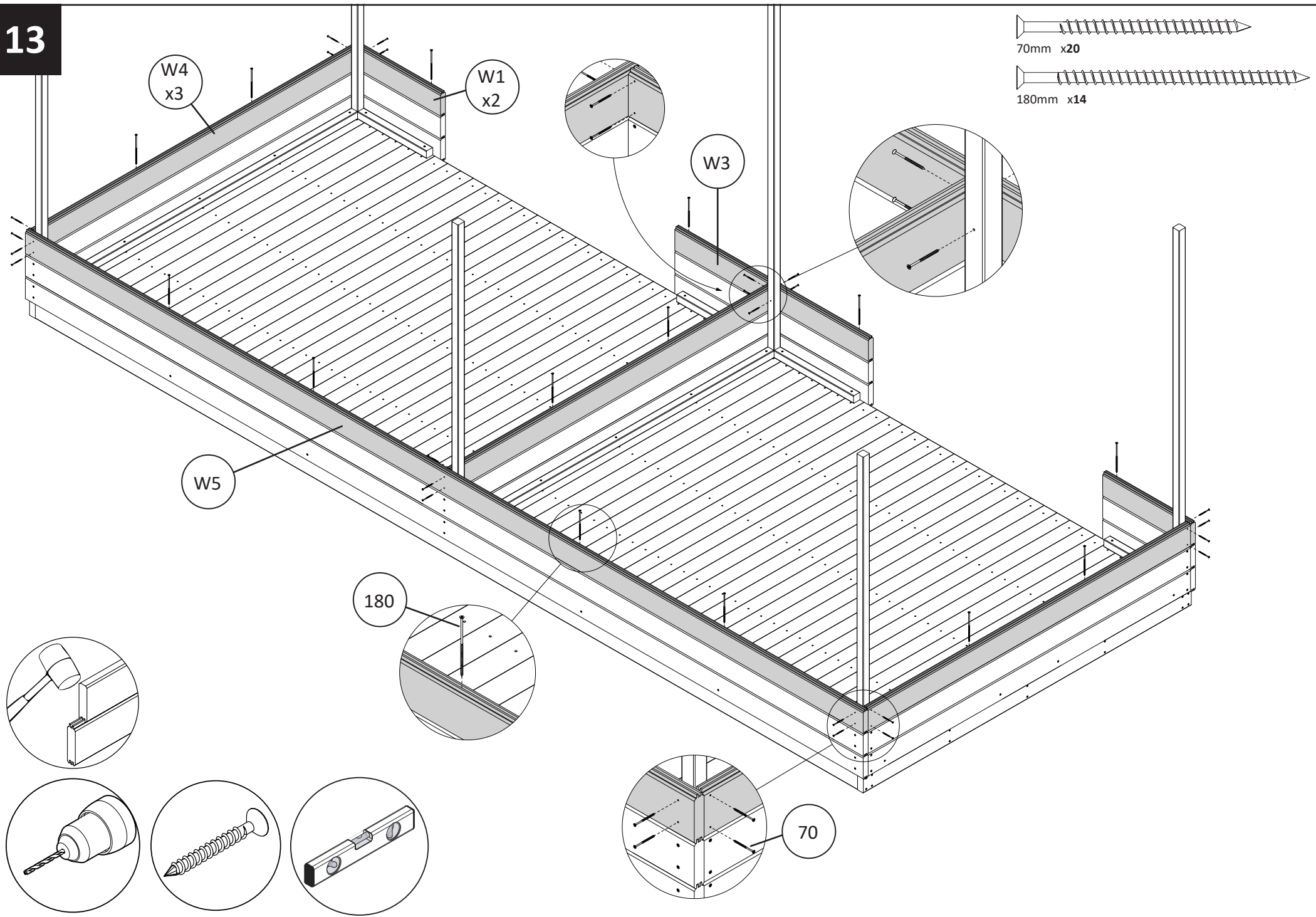


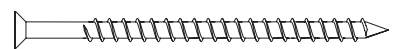
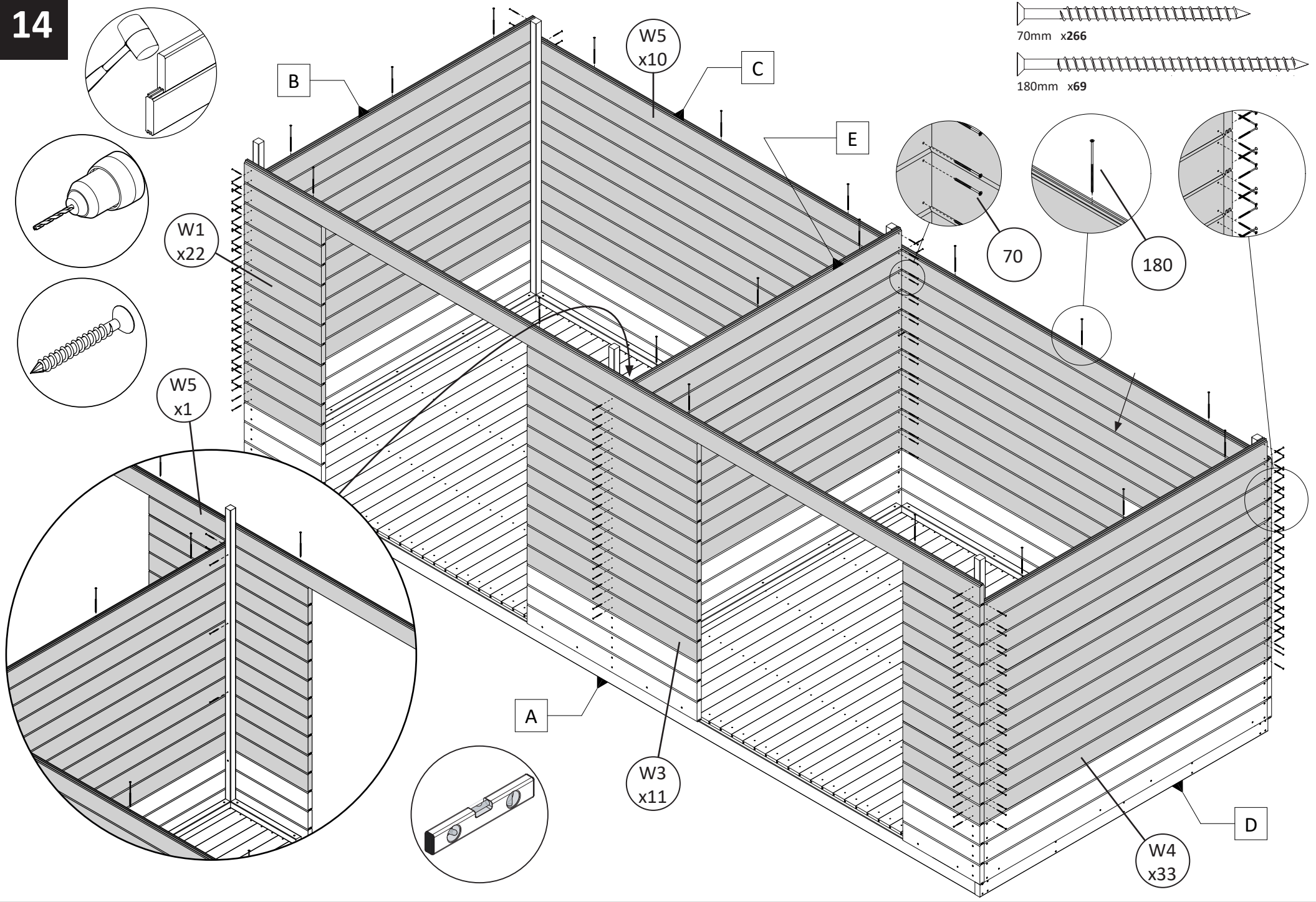
12





13





70mm x266



180mm x69

W1  
x22

W5  
x10

W5  
x1

W3  
x11

W4  
x33

70

180

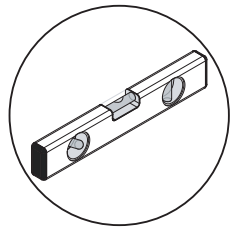
A

B

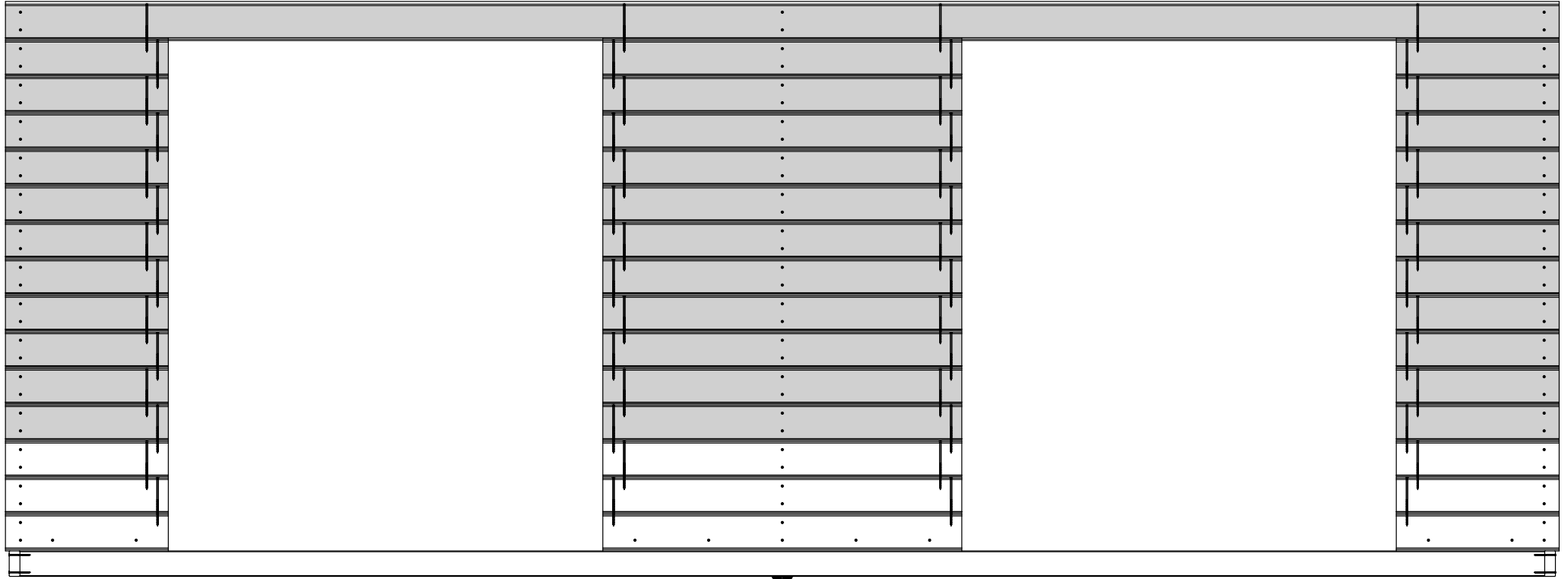
C

E

D

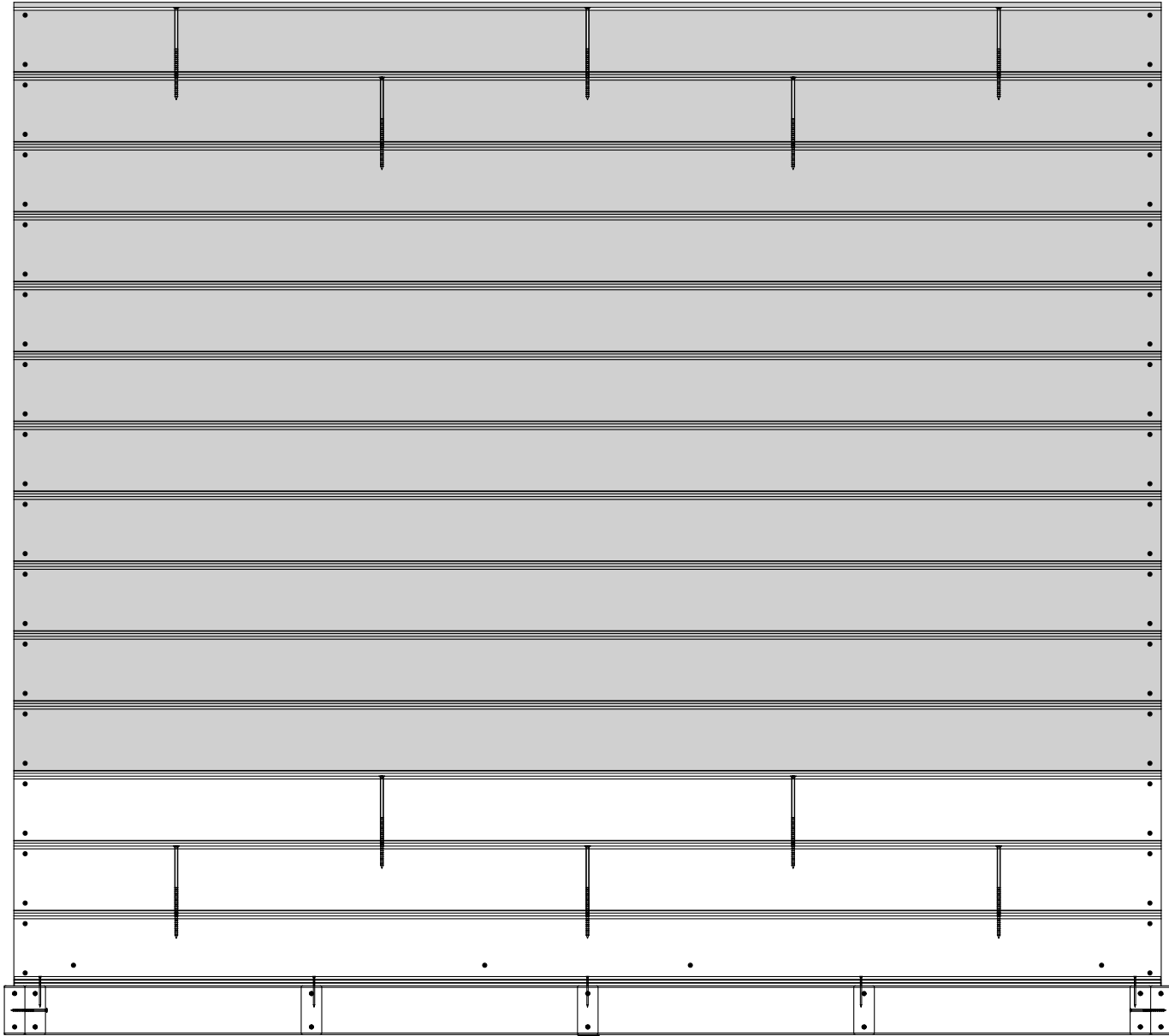


A



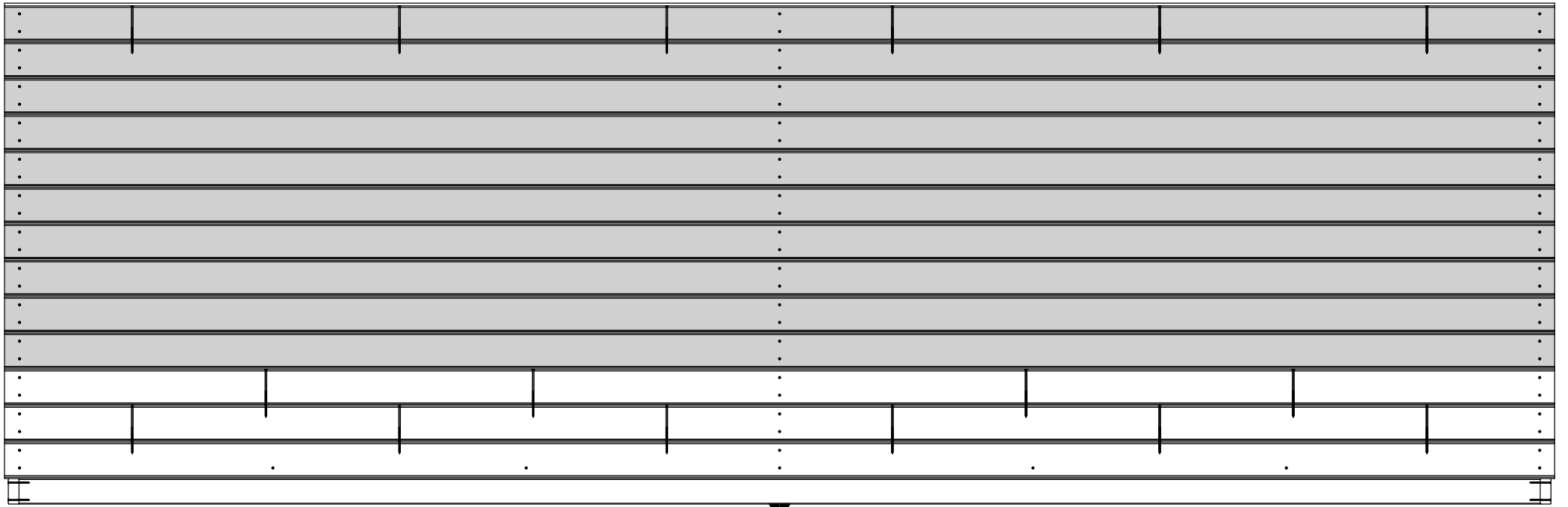
A

B



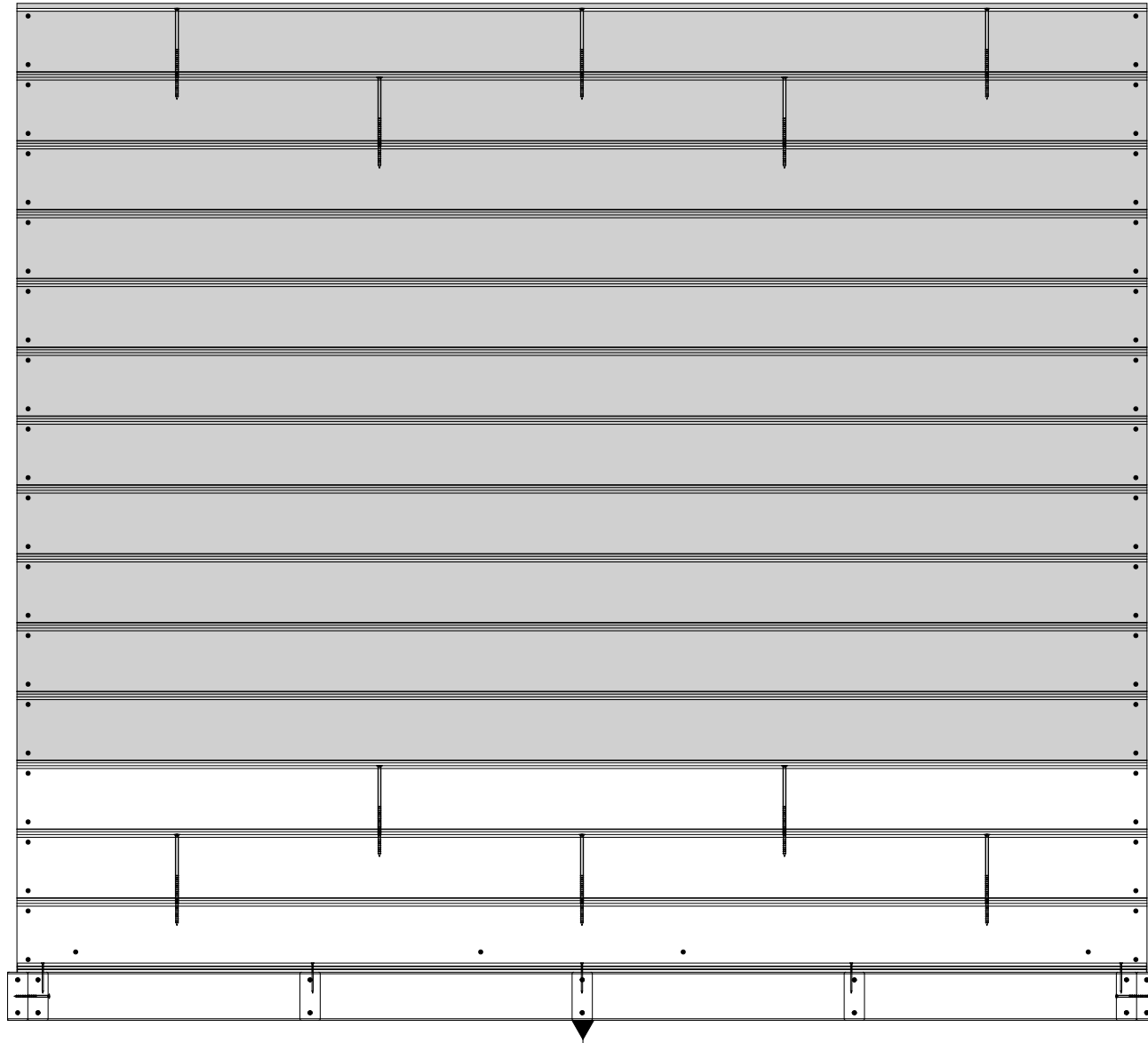
B

C



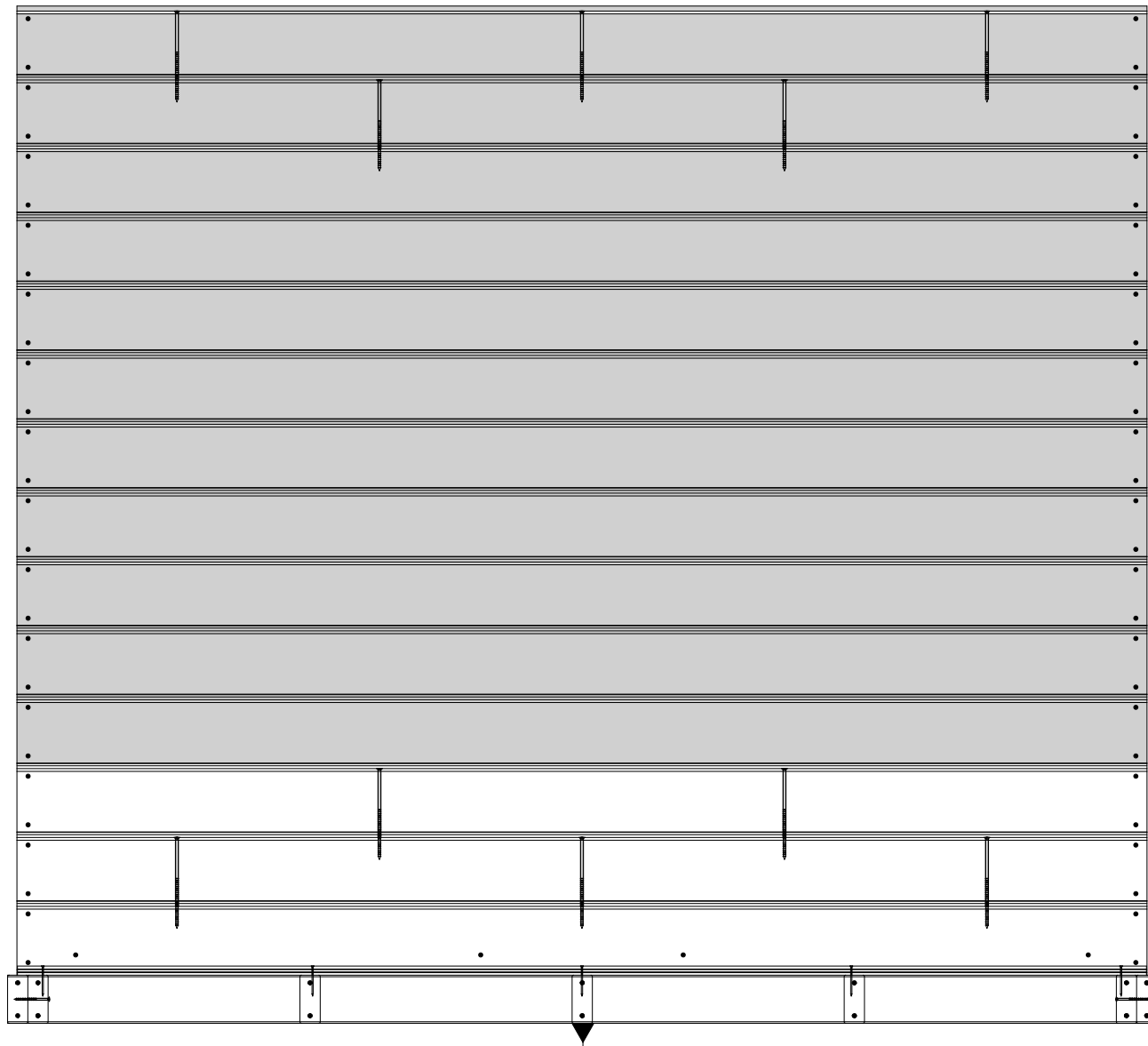
C

D

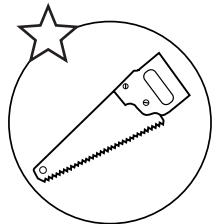
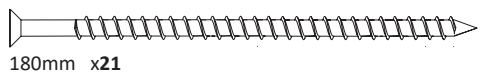
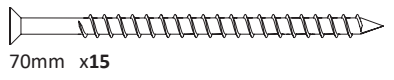
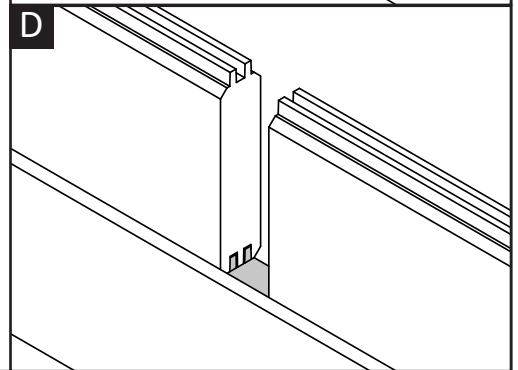
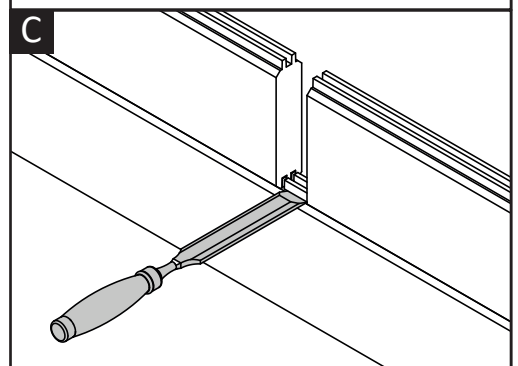
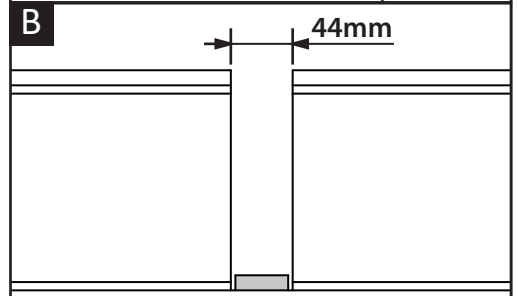
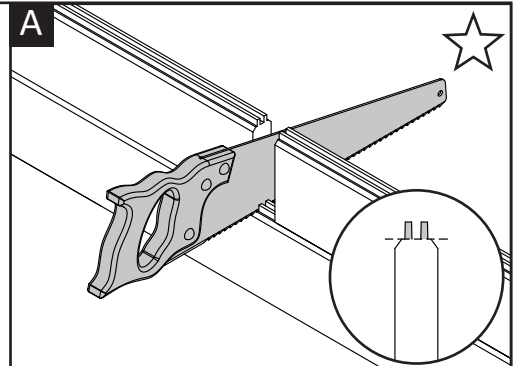
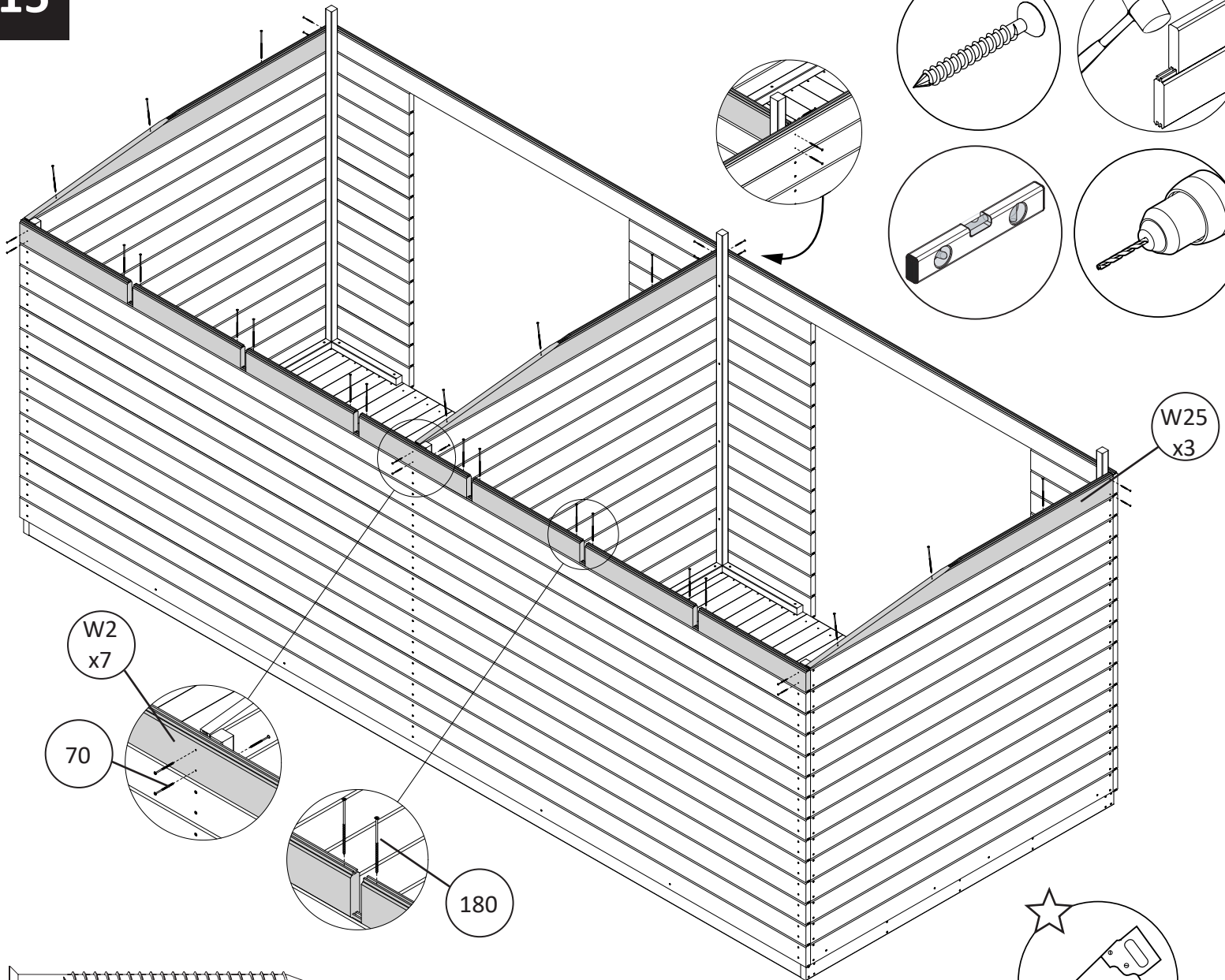


D

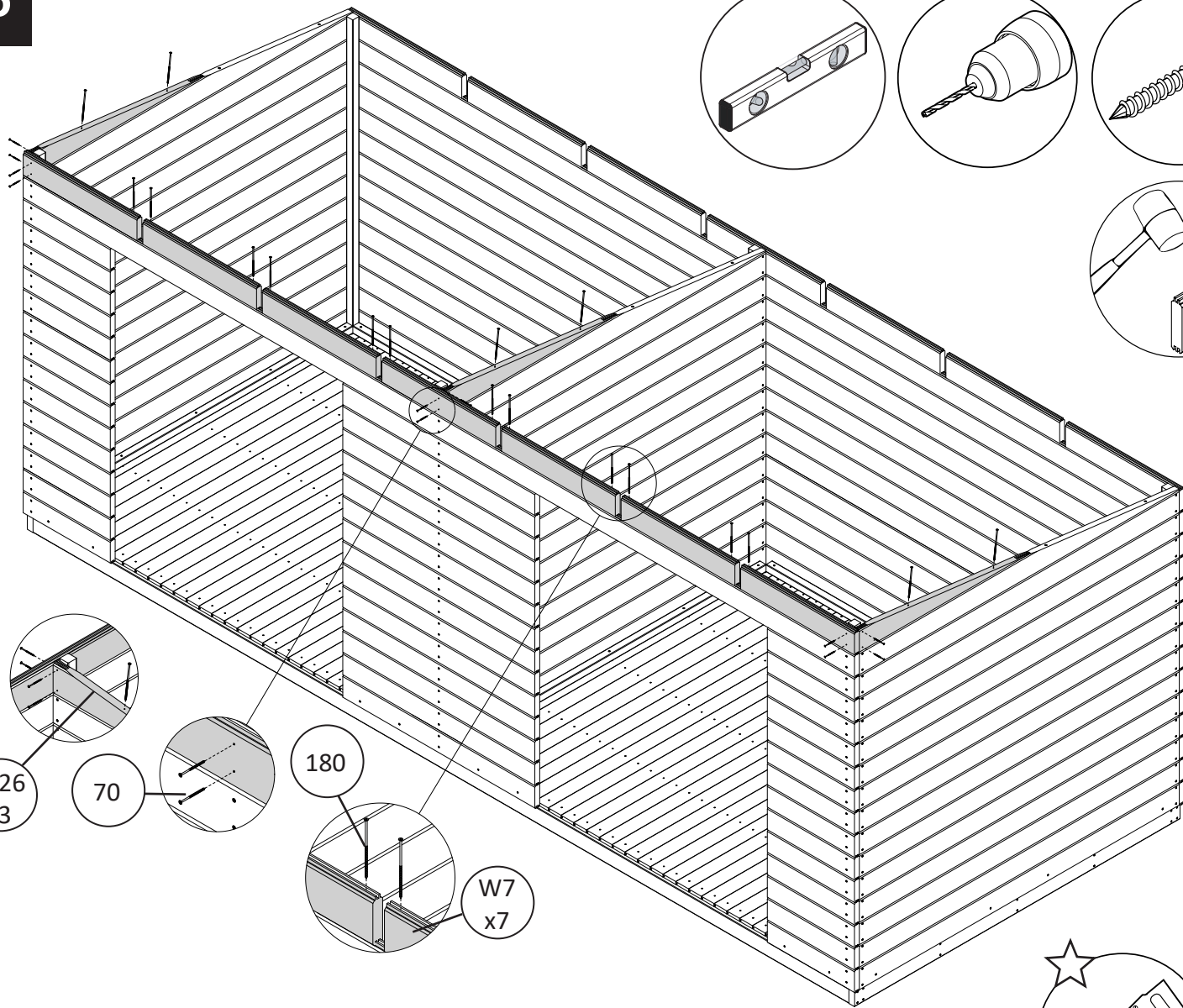
E



E





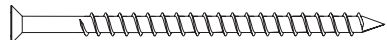


W26  
x3

70

180

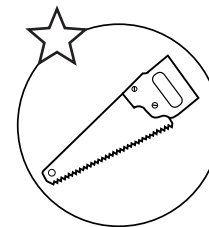
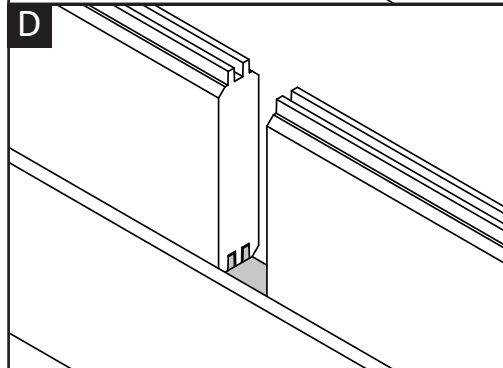
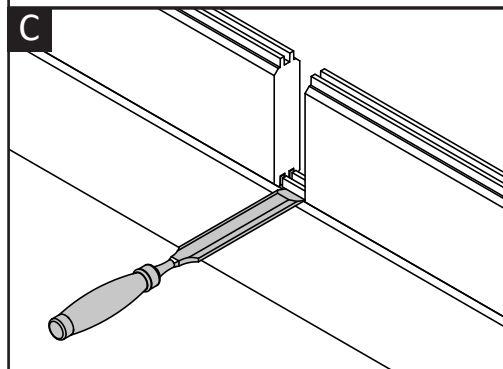
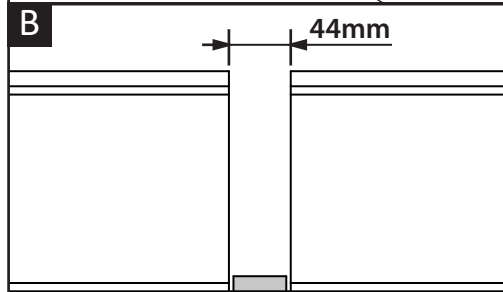
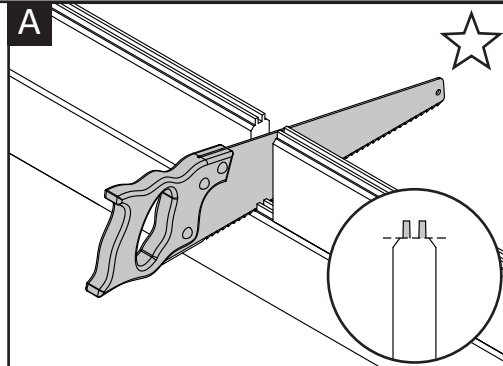
W7  
x7



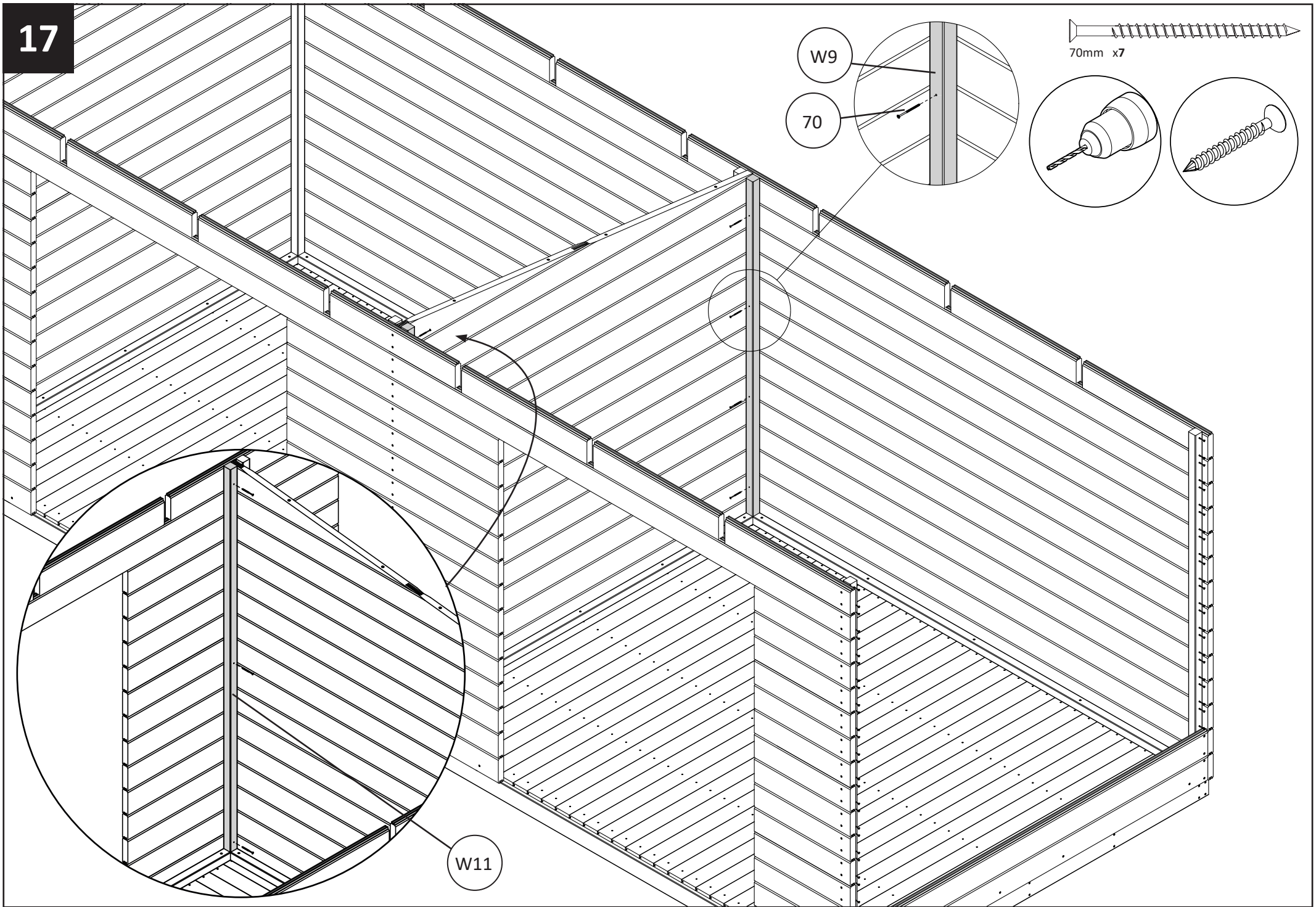
70mm x12

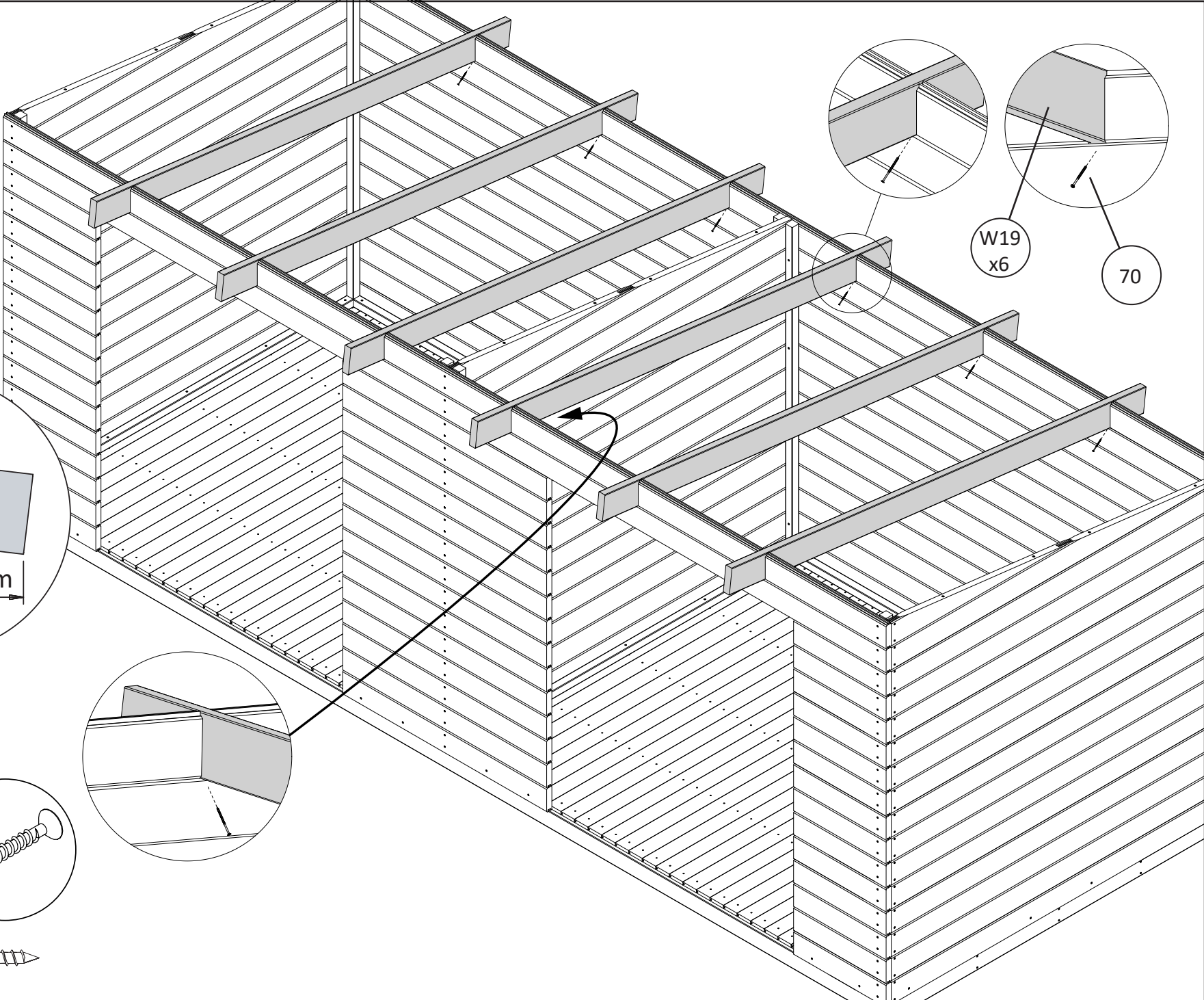


180mm x18



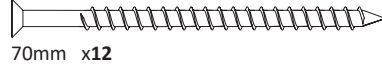
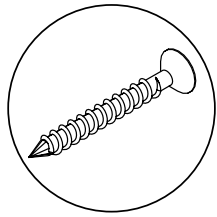
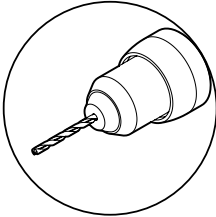
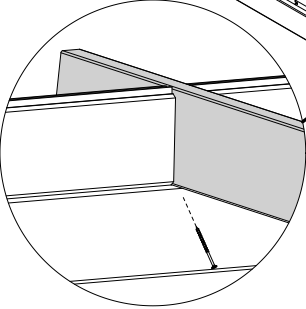
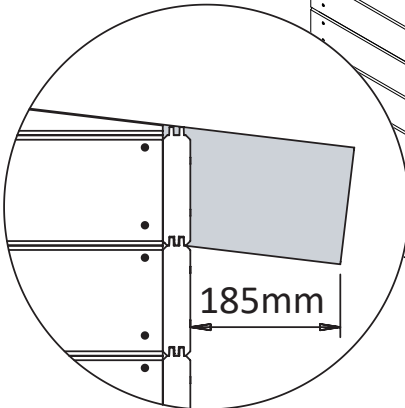
17



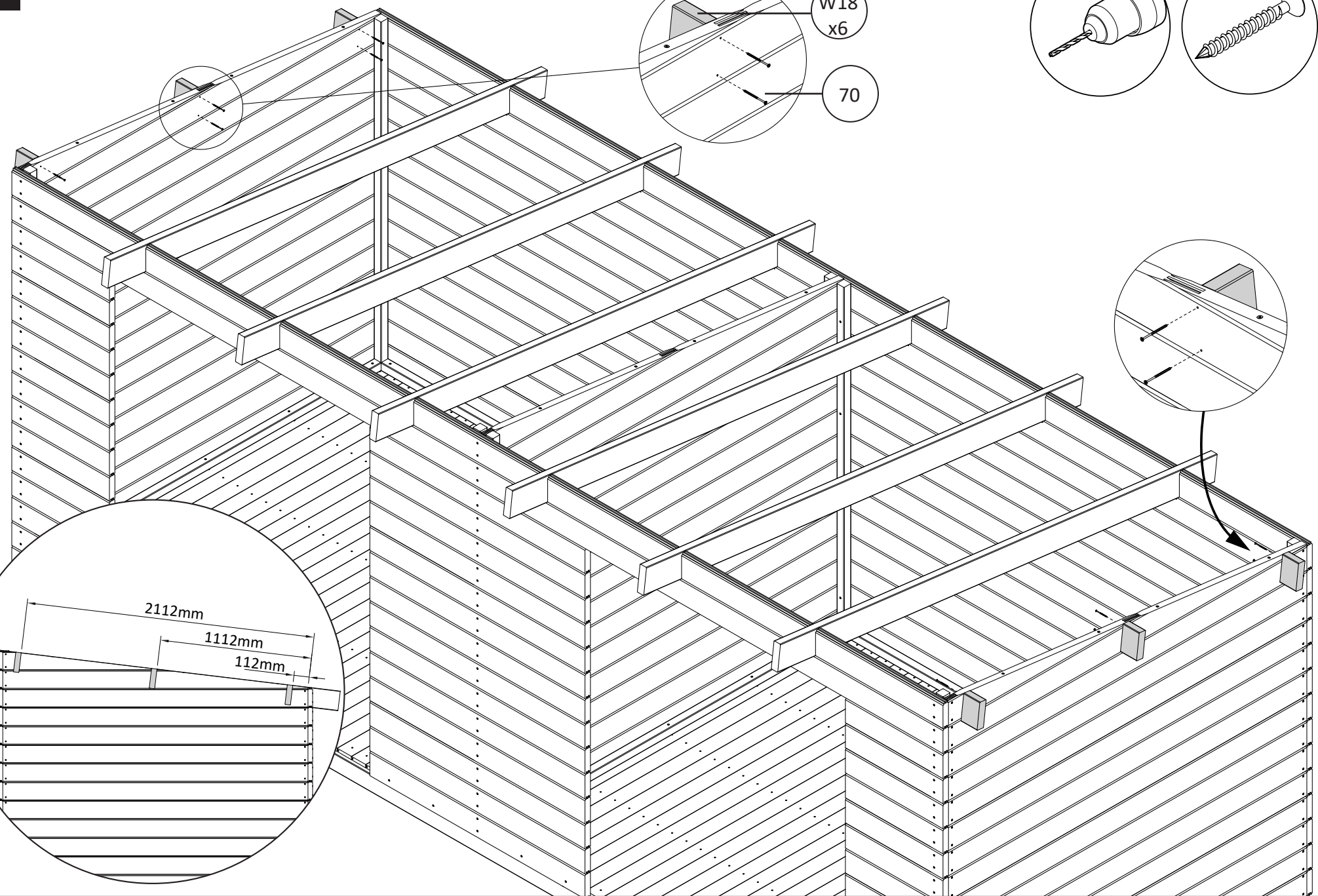
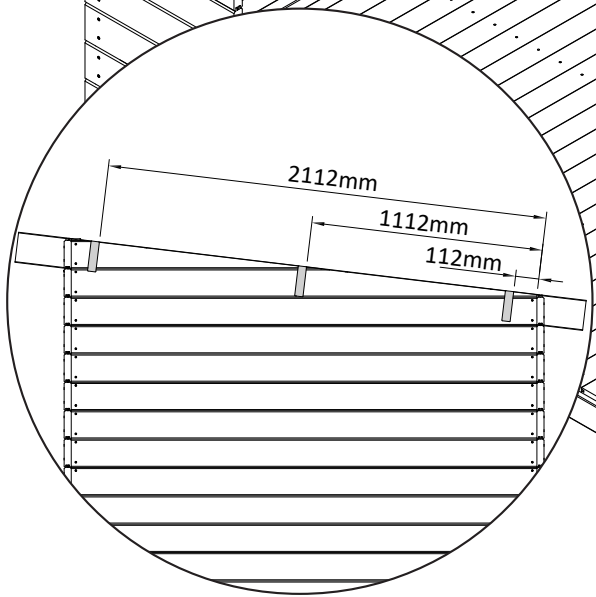
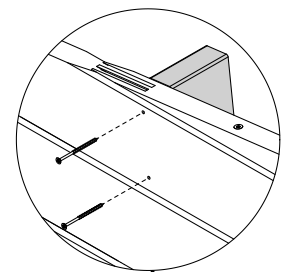
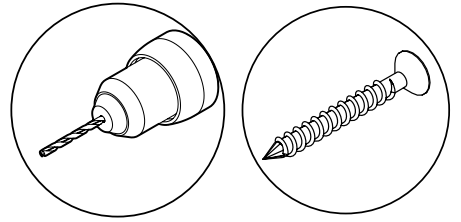
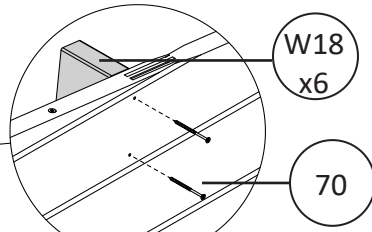
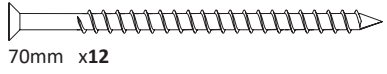


W19  
x6

70

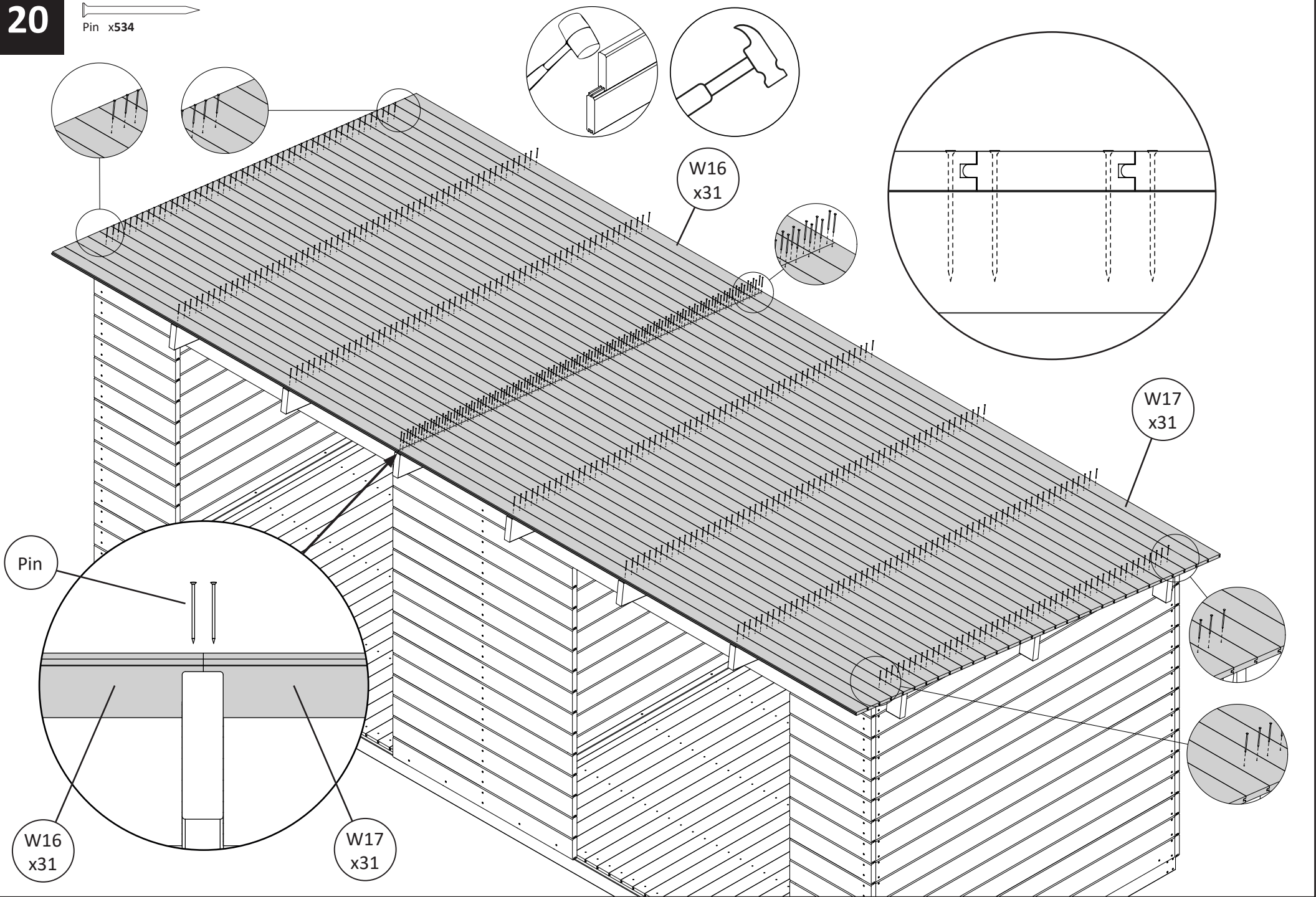


19

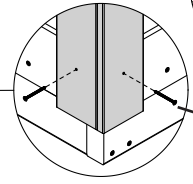
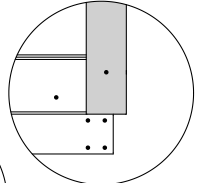
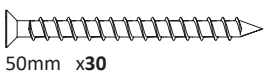
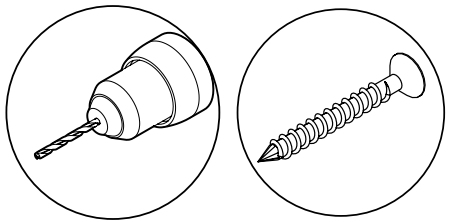
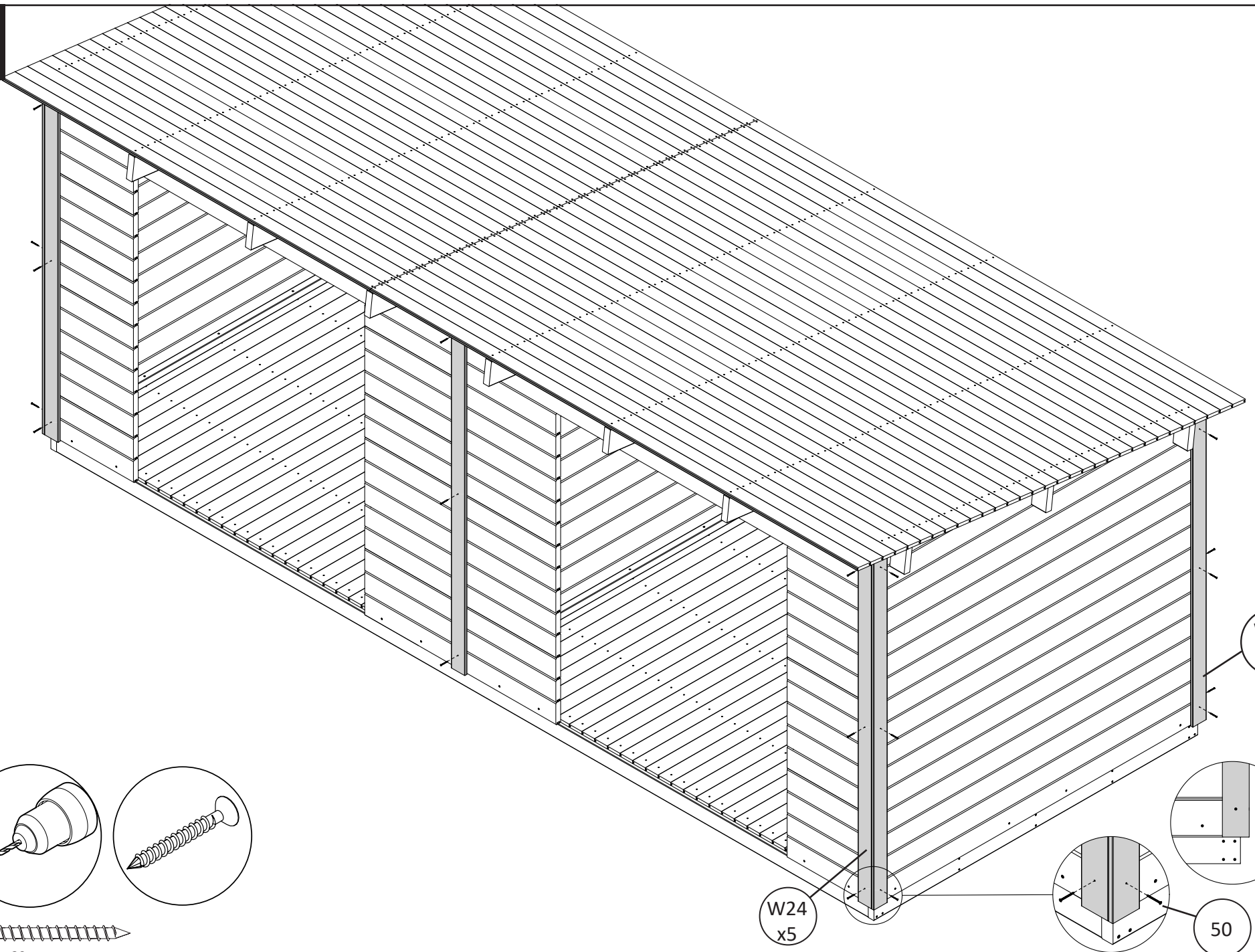


20

Pin x534



21

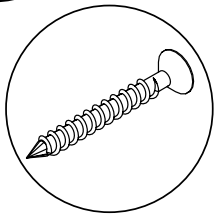
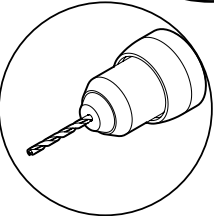
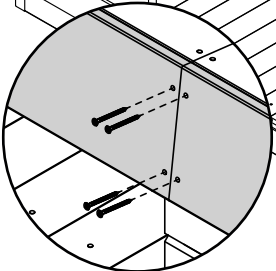
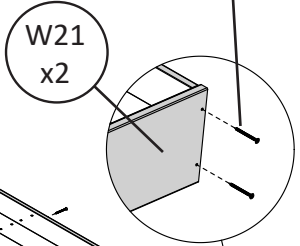
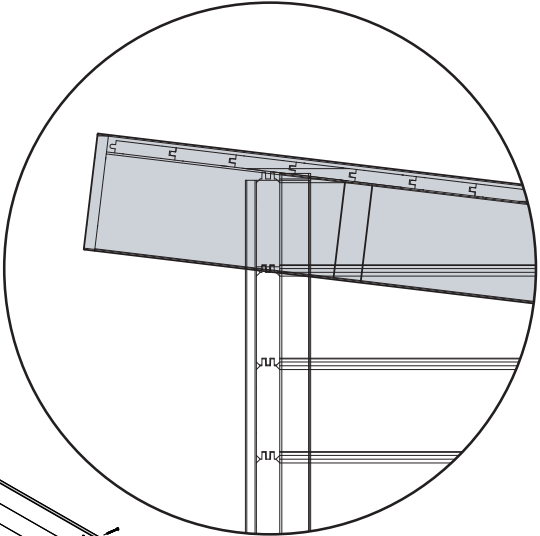
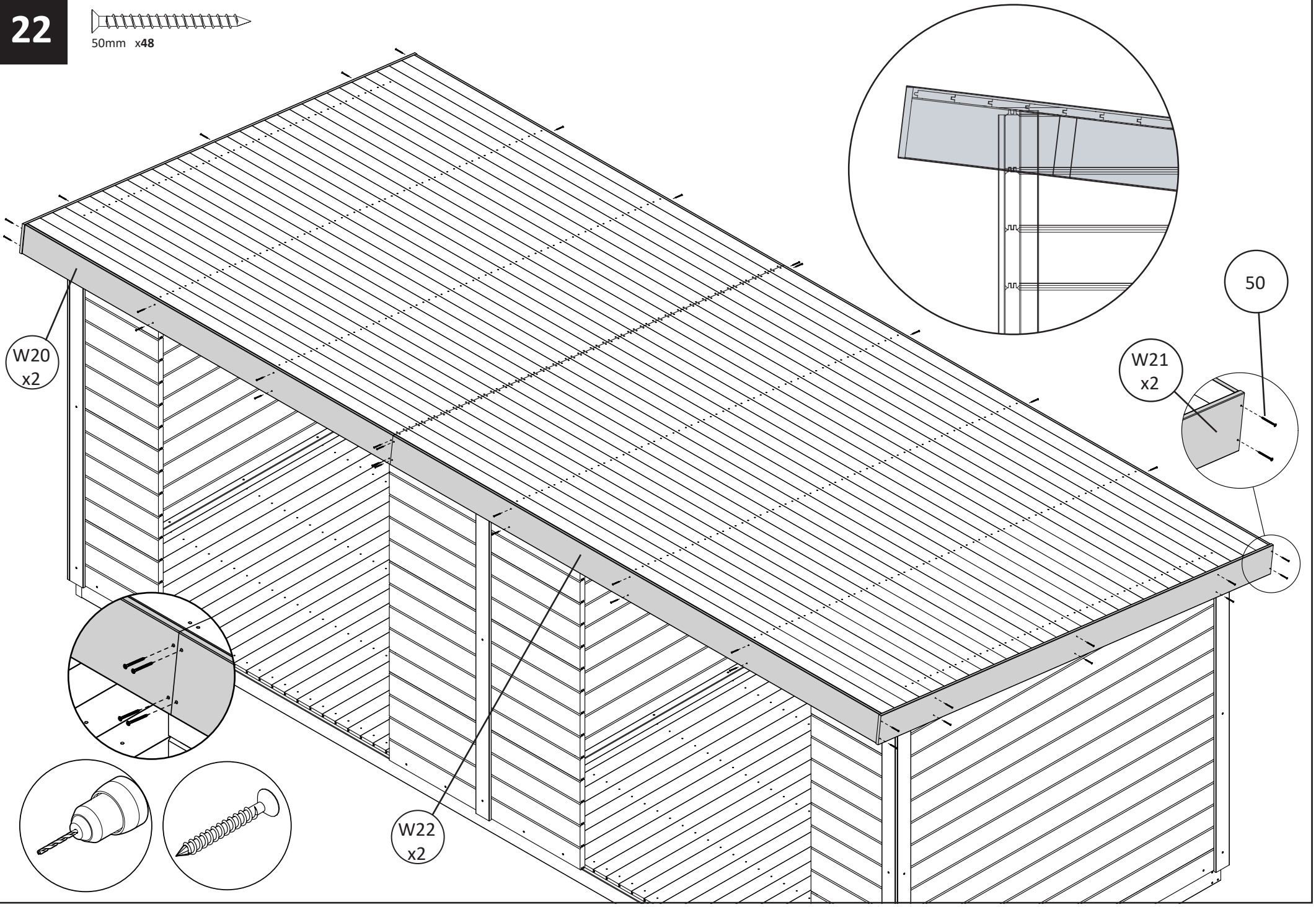
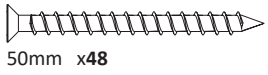


W23  
x5

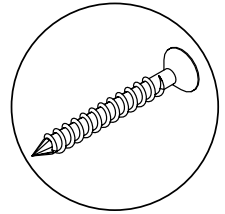
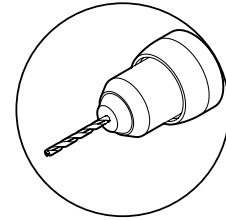
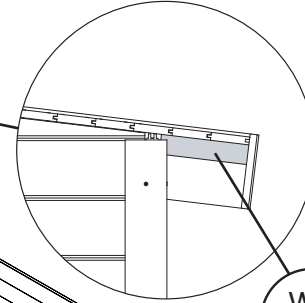
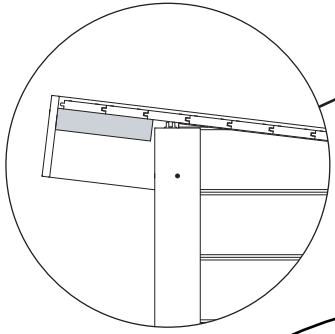
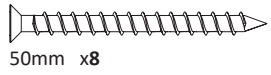
W24  
x5

50

22

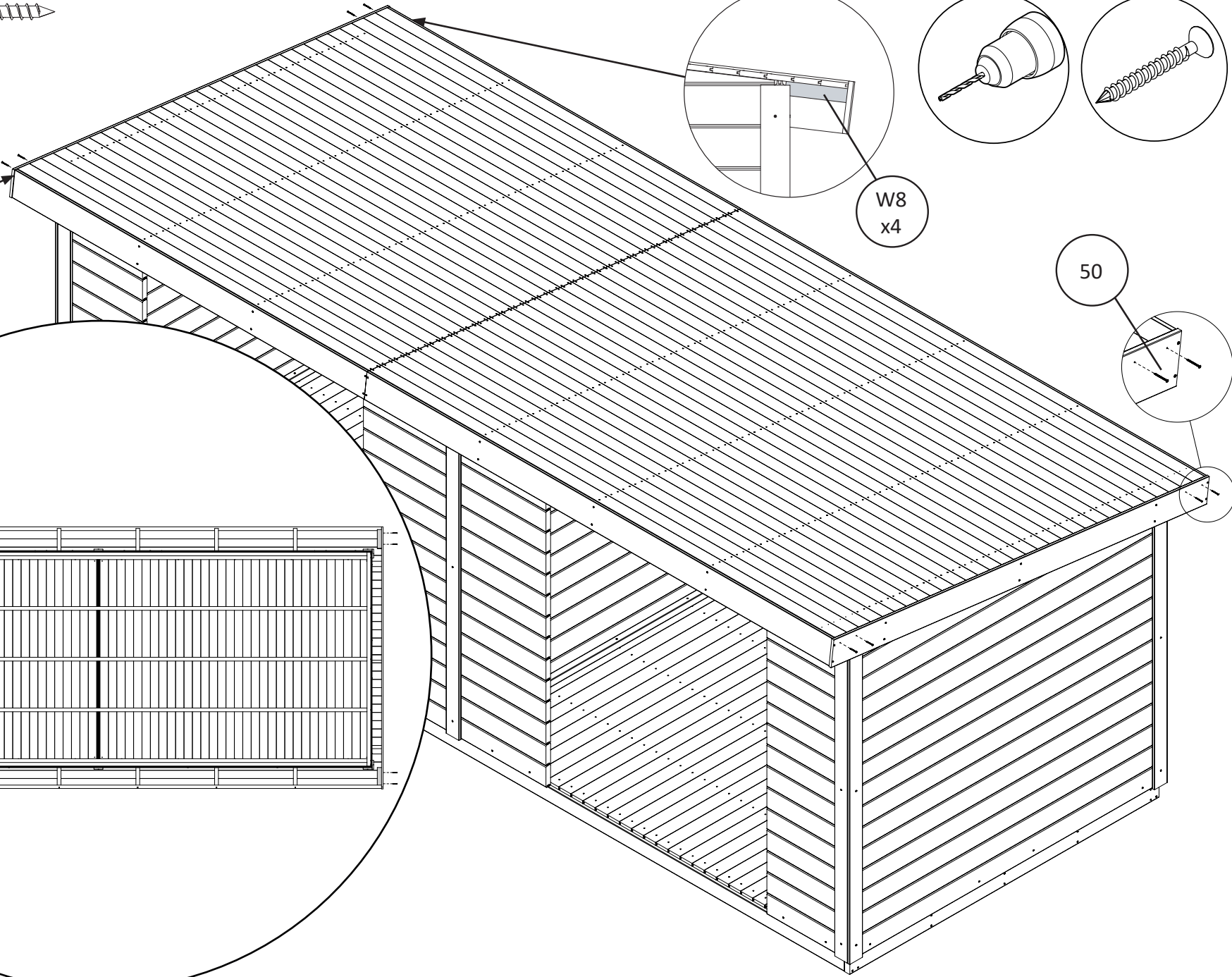
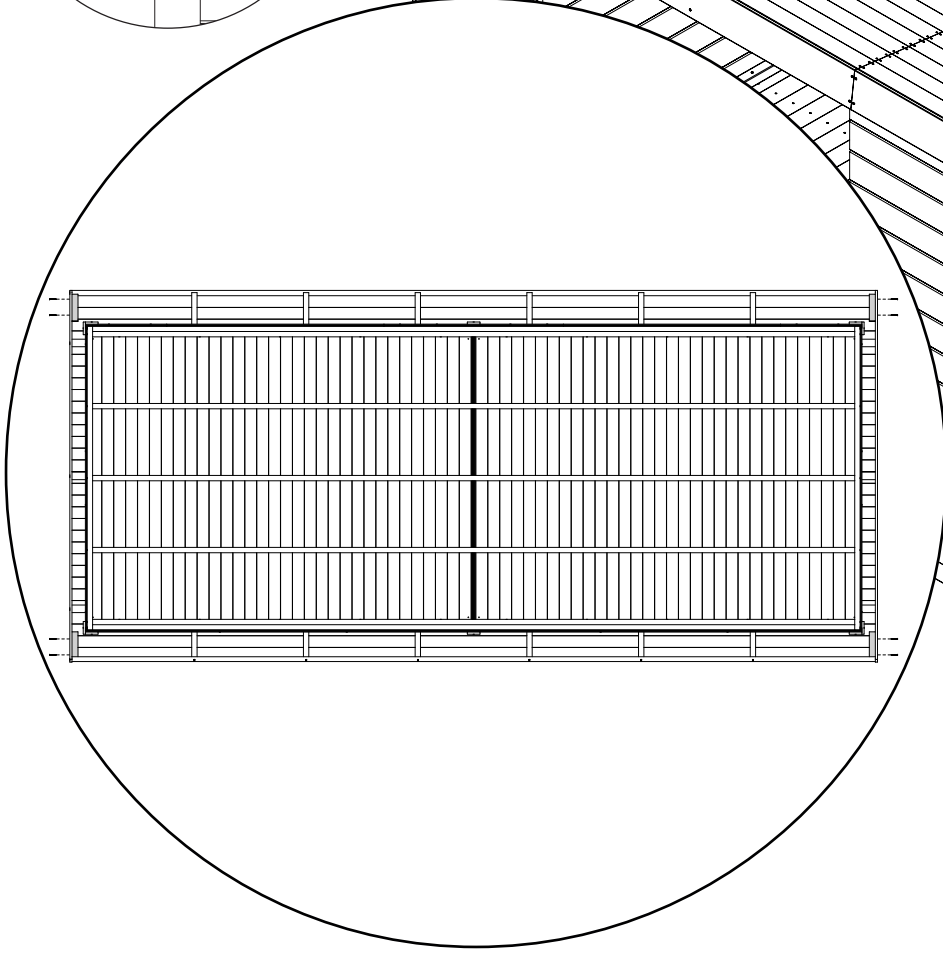
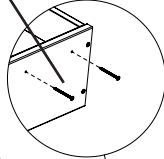


23

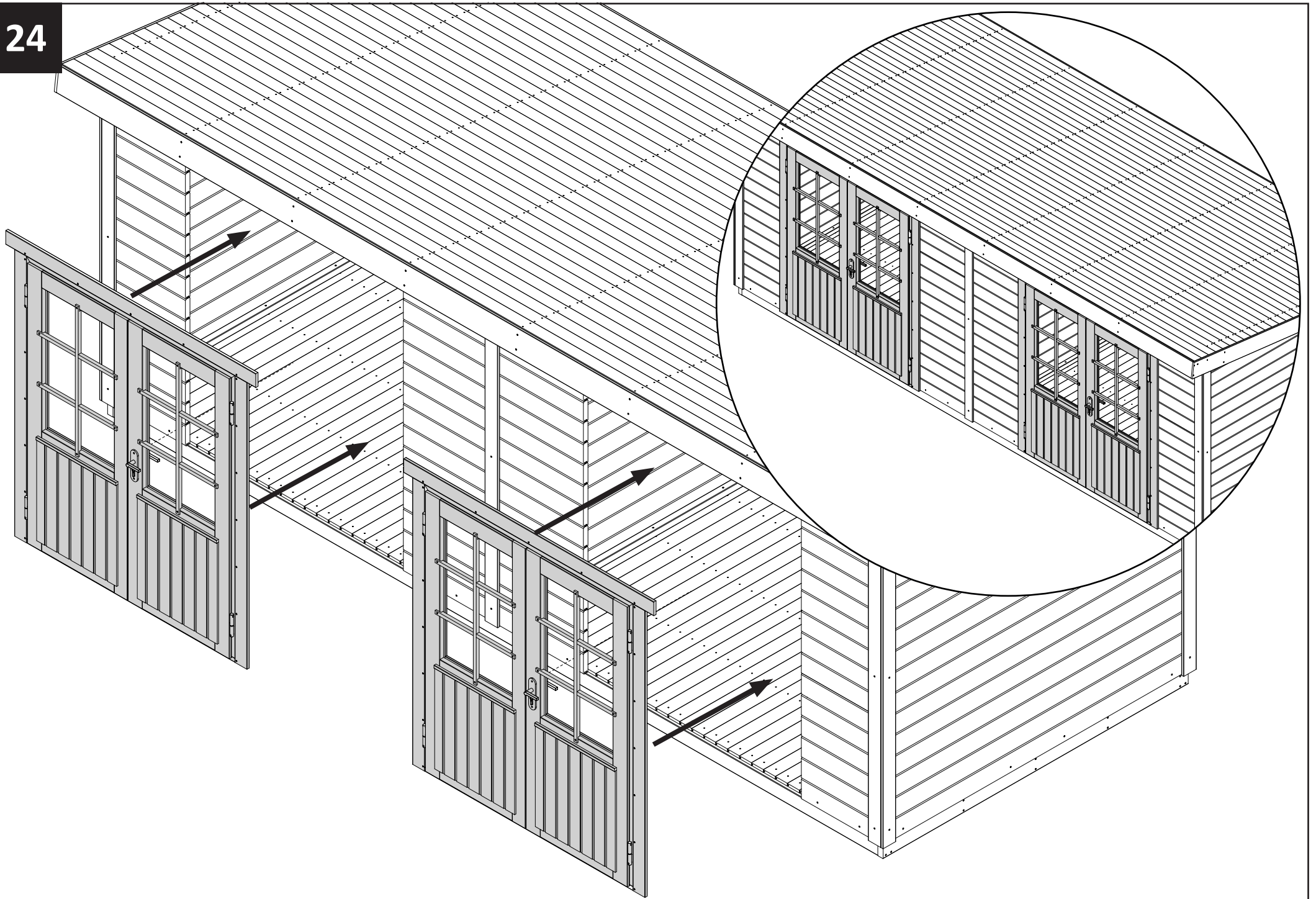


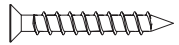
W8  
x4

50









30mm x38



50mm x16

