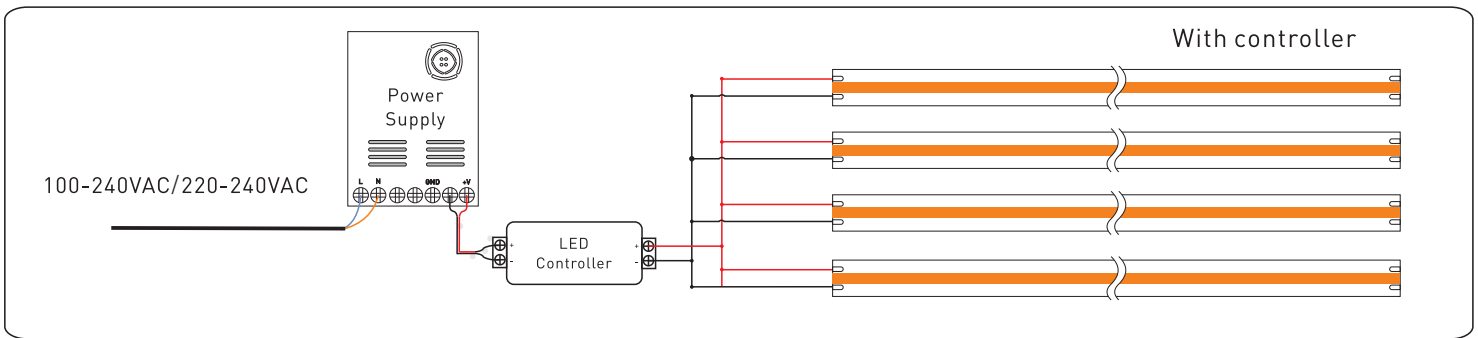
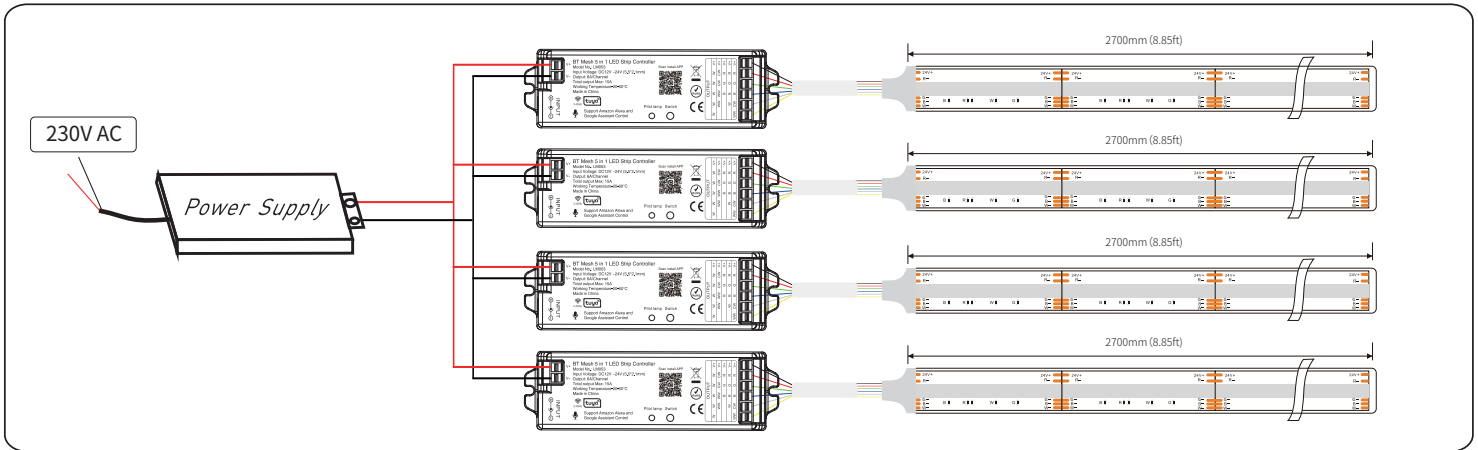


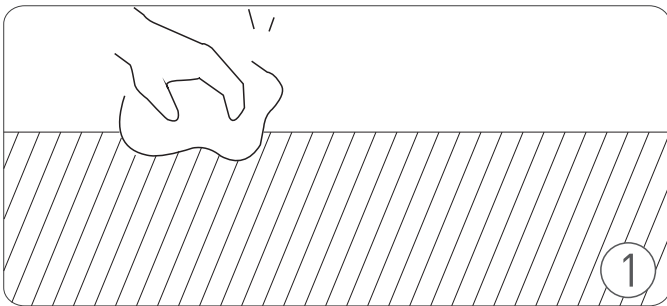
## Brief Introduction

COB(chip on board) strips are made with flip-chips on PCB, unlike traditional LED strips are made with SMD on PCB. Because of the mini size of chips, we could put a lot chips on PCB, like 480 chips or 320 chips on single meter PCB, the distance between each chips are very close which make the light is very uniform and evenly, the biggest advantage is that it's spots free without the cover.

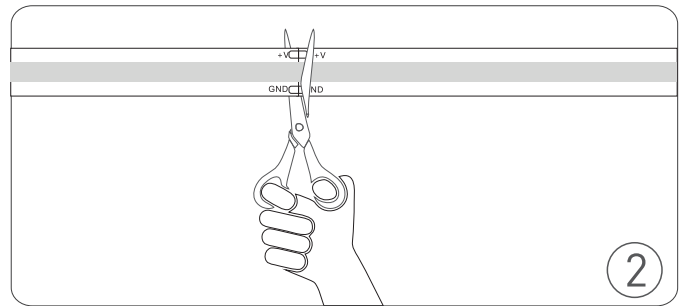
## Wiring Diagram



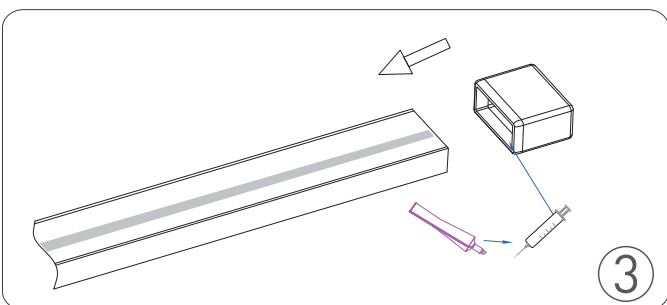
## Installation



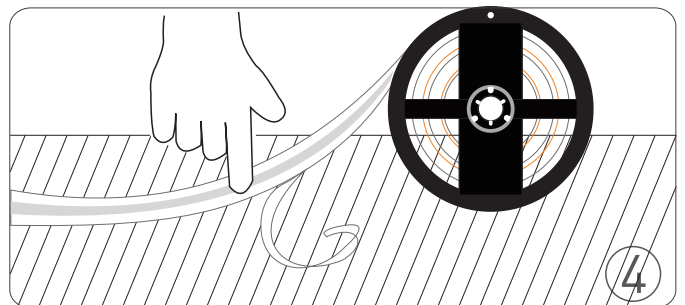
Clean the surface to make sure the surface free from grease,dust and liquid.



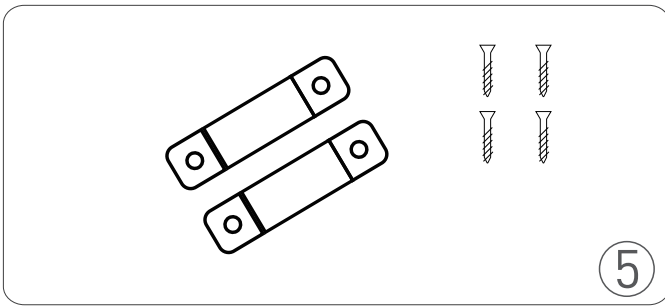
Measure the length of the surface, cut the COB strip need, please cut the COB strip according to the markings on the COB strip.



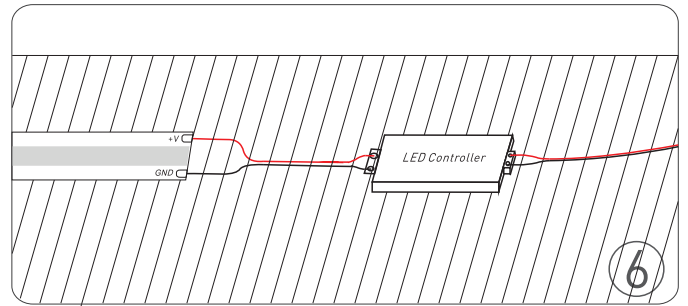
Use professional silicone adhesive, first squeeze into the needle, then the silicone tail plug inside coated with silicone adhesive, put into the lamp tail end, wait 3-5 hours, completely cured and can be installed



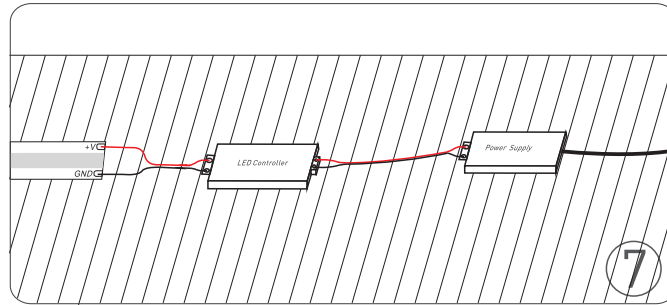
Tear the double sided adhesive tape and paste the COB strip to the surface, press the COB strip to stick to the surface tightly.



After installing COB strip light, install the mounting clip on the strip light, align the screws with the opening holes of the buckle, and tighten the screws. It is recommended to use 2pcs per meter.



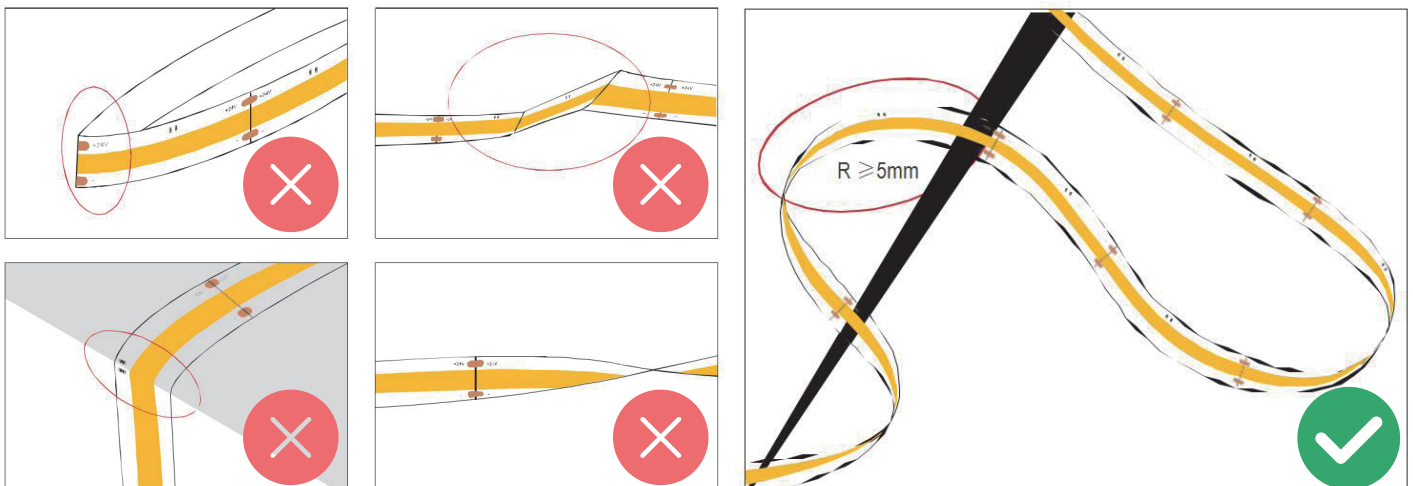
With controller: connect the COB strip to the LED controller firstly.



With Controller: connect the LED driver to the power supply secondly, then complete installation.

## Warnings

1. Disconnect the power source before installation.
2. The operating temperature is  $-20^{\circ}\text{C}$  to  $+70^{\circ}\text{C}$ , please make sure the installation surface should be less than  $+70^{\circ}\text{C}$ .
3. Do not install the products close to flammable materials.
4. Do not power on while COB strip are rolled, or it will overheat and damaged.
5. Do not power the COB strip by other power source, like 100~120Vac, 200-240Vac etc.
6. When install the led strip, please note the installation technique. The led strip can be bent, but not distorted, as shown below
7. The maximum installation height for the power supply and led controller is 500mm from the floor.



Distortion(Wrong)

Bend(Right)