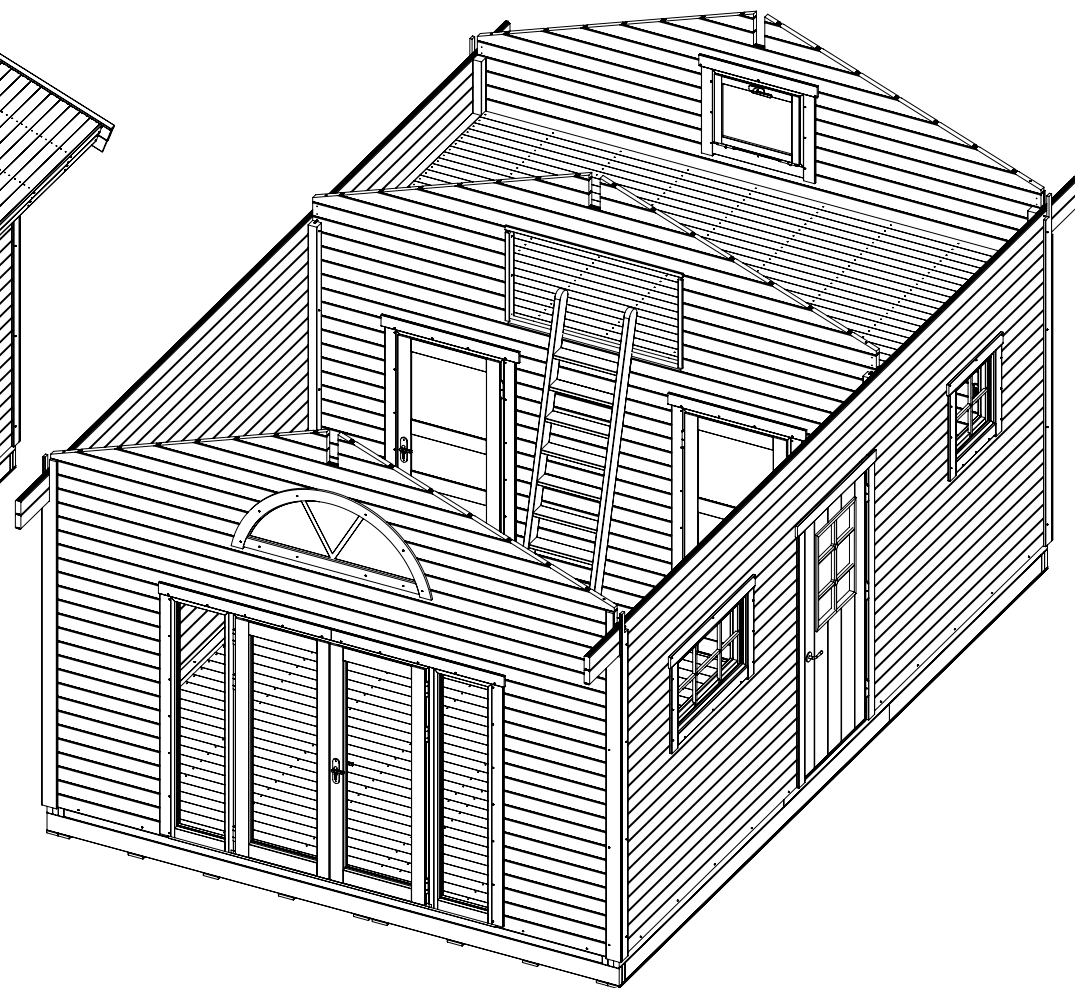
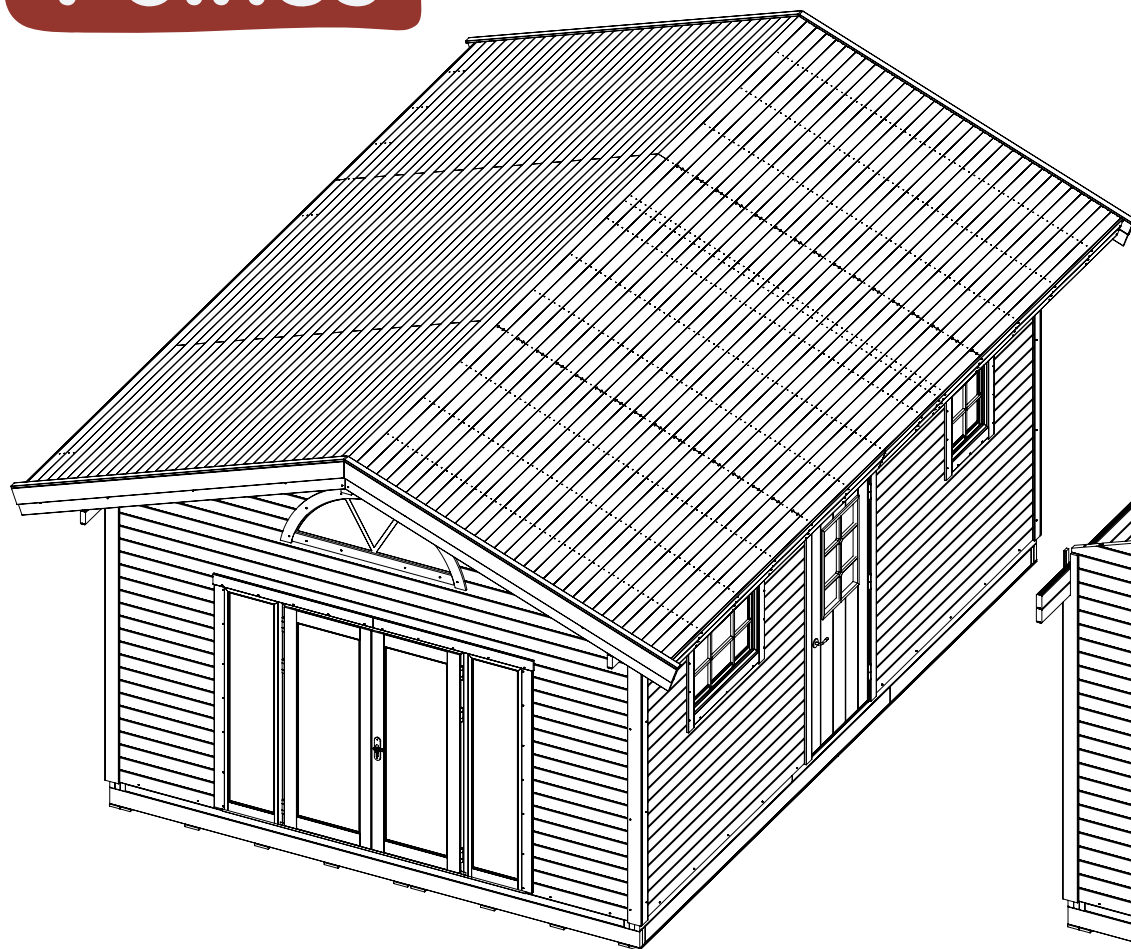


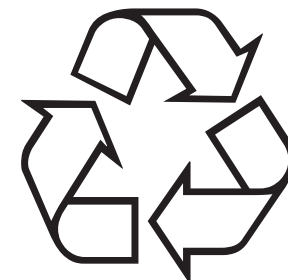
Polhus

P6546/44 MOLLY







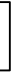


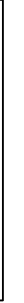


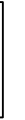












DE - Anweisungen für Montage, Wartung und sicheren Gebrauch.
EN - Instructions for assembly, maintenance and safe use.
FR - Instructions de montage, d'entretien et d'utilisation en toute sécurité.
NL - Instructies voor montage, onderhoud en veilig gebruik.
CZ - Pokyny pro montáž, údržbu a bezpečné použití.
SK - Návod na montáž, údržbu a bezpečné používanie.
SWE - Monteringsanvisning
























Polhus
Polhus Aktiebolag
Djäknegatan 31
211 35 Malmö
<https://www.polhus.com/>


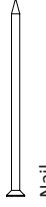





Issue - A 25/06/2024

Pos	03.05.2024	PIECE LIST Art. Nr. 4432499	17/22	Q.	P (mm)	L (mm)
001				26	44x114	2740
002				18	44x114	805
003				6	44x114	1265
004				19	44x114	6500
005				4	44x114	7412
006				4	44x114	456
007				20	44x114	555
008				6	44x114	4870
009				6	44x114	500
010				1	44x86	2440
011				18	44x114	2440
012				1	44x114	2440
013				36	44x114	935
014				27	44x114	4500
015				2	44x114	1578
016				2	44x114	1645
017				2	44x114	1745
026				8	44x114	1853
029				2	44x86	650
030				1	44x86	1380
031				34	44x114	650
032				17	44x114	1380
033				1	44x114	4500

Pos	03.05.2024	PIECE LIST Art. Nr. 4432499	18/22	Q.	P (mm)	L (mm)
034				8	44x114	1560
WA-1				1		
WB-1				1		
WC-1				1		
PT1			FLOOR FILLET	4	70x70	4360
PT2			FLOOR FILLET	6	70x70	3136
VT1			MEZZANINE FLOOR JOISTS	2	70x45	4360
VT2			MEZZANINE FLOOR JOISTS	9	44x146	2440
IAR2			FOUNDATION	14	120x18	3240
IAR1			FOUNDATION	8	90x18	3240
AR2			FOUNDATION	4	45x70	4298
AR5			FOUNDATION	13	45x70	4000
AR3			FOUNDATION	6	45x70	2480
AR7			FOUNDATION	7	45x70	2300
AR1			FOUNDATION	4	44x146	4568
AR4			FOUNDATION	13	44x146	4000
AR6			FOUNDATION	13	44x146	2304
SR1			RAFTER	30	44x170	2900
A-PR1			ROOF BEAM	1	90x270	7412
HILL-1			FLOOR BOARDS	58	112x28	4360

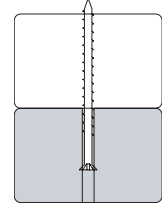
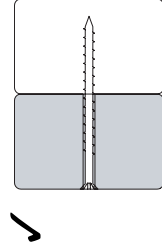
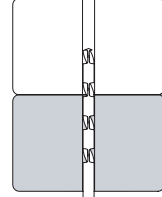
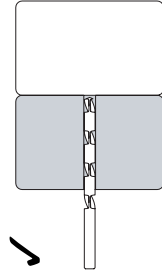
Pos	03.05.2024	PIECE LIST Art. Nr. 4432499	19/22	Q.	P (mm)	L (mm)
FB-1	FLOOR BOARDS			28	90x18.5	4360
RB-1	ROOF BOARDS			66	90x18.5	5093
RB-2	ROOF BOARDS			66	90x18.5	2319
RFF	ROOFING FELT FILLET			4	18x58	3050
RS1	RAILING STRIP			4	18x120	2850
RS2	RAILING STRIP			4	18x120	2850
P1	POST			2	70x70	2061
P2	POST			8	70x70	2700
TB1	EAVES BOARD			4	18x90	3517
TB2	EAVES BOARD			4	18x90	3895
UT-1	U-PROFILE			2	35x70	740
UT-2				1	35x70	1400
GL1	GABLE MOULDING			8	18x120	3050
GL2	GABLE MOULDING			4	18x140	3050
	LADDER			1		
HS8	SCREW 35mm			400	3.5x35	
HS9	SCREW 50mm			250	3.5x50	
HSx	SCREW 70mm			500	3.9x70	
HS13	SCREW 60mm			40	4x60	
HS18	SCREW 120mm			60	5x120	
HS16	SCREW 90mm			1000	5x90	
HS23	SCREW 180mm			250	6x180	
HS26	SCREW 40mm			400	5x40	

Pos	03.05.2024	PIECE LIST		20/22	Q.	P (mm)	L (mm)
SH44	HAMMER BLOCK			1			
NF4	NAIL		Nail	1350	2x50		
	METAL CORNER			48	70x70x55		
	LADDER CLAMP			2	RK2616		
GS	GABLE SEGMENT			2			



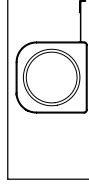
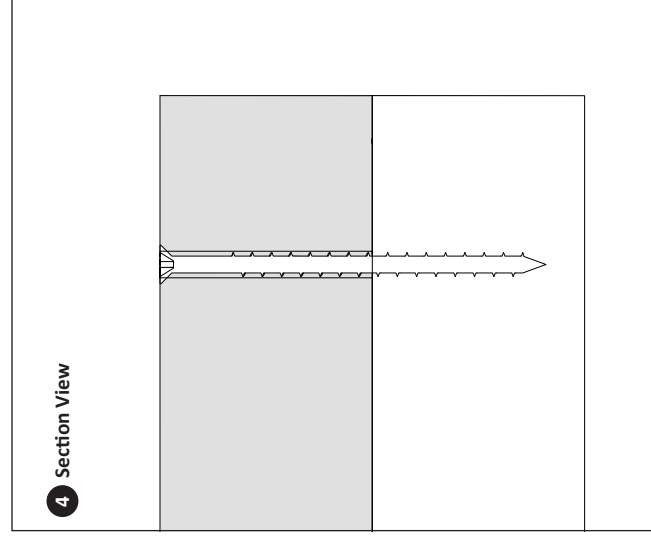
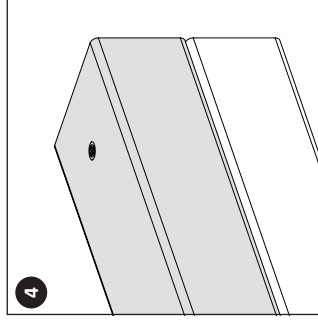
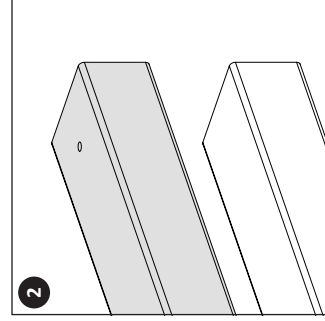
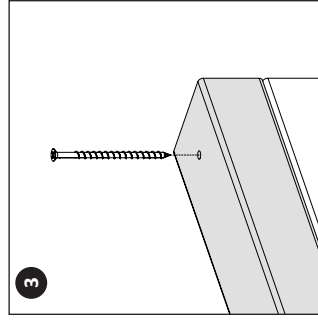
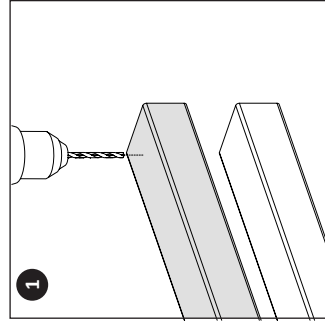
IMPORTANT!

PRE-DRILL

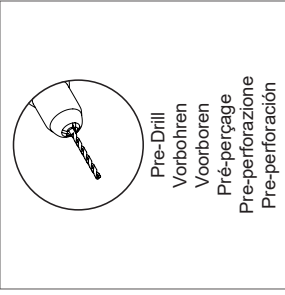


FIX WITH SCREW

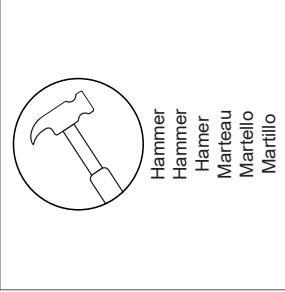
Fixing Procedure



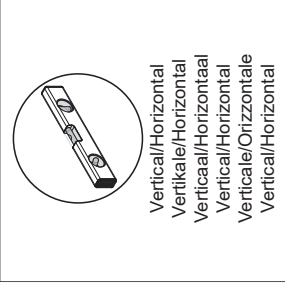
ALL MEASUREMENTS ARE IN MILLIMETRES
(mm) UNLESS STATED OTHERWISE



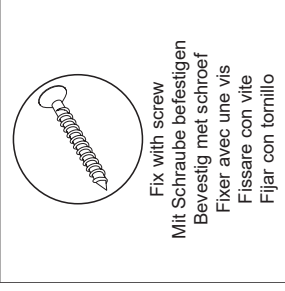
Pre-Drill
Vorborenen
Voorboren
Pre-perçage
Pre-perforazione
Pre-perforación



Hammer
Hammer
Hammer
Marteau
Martello
Martillo

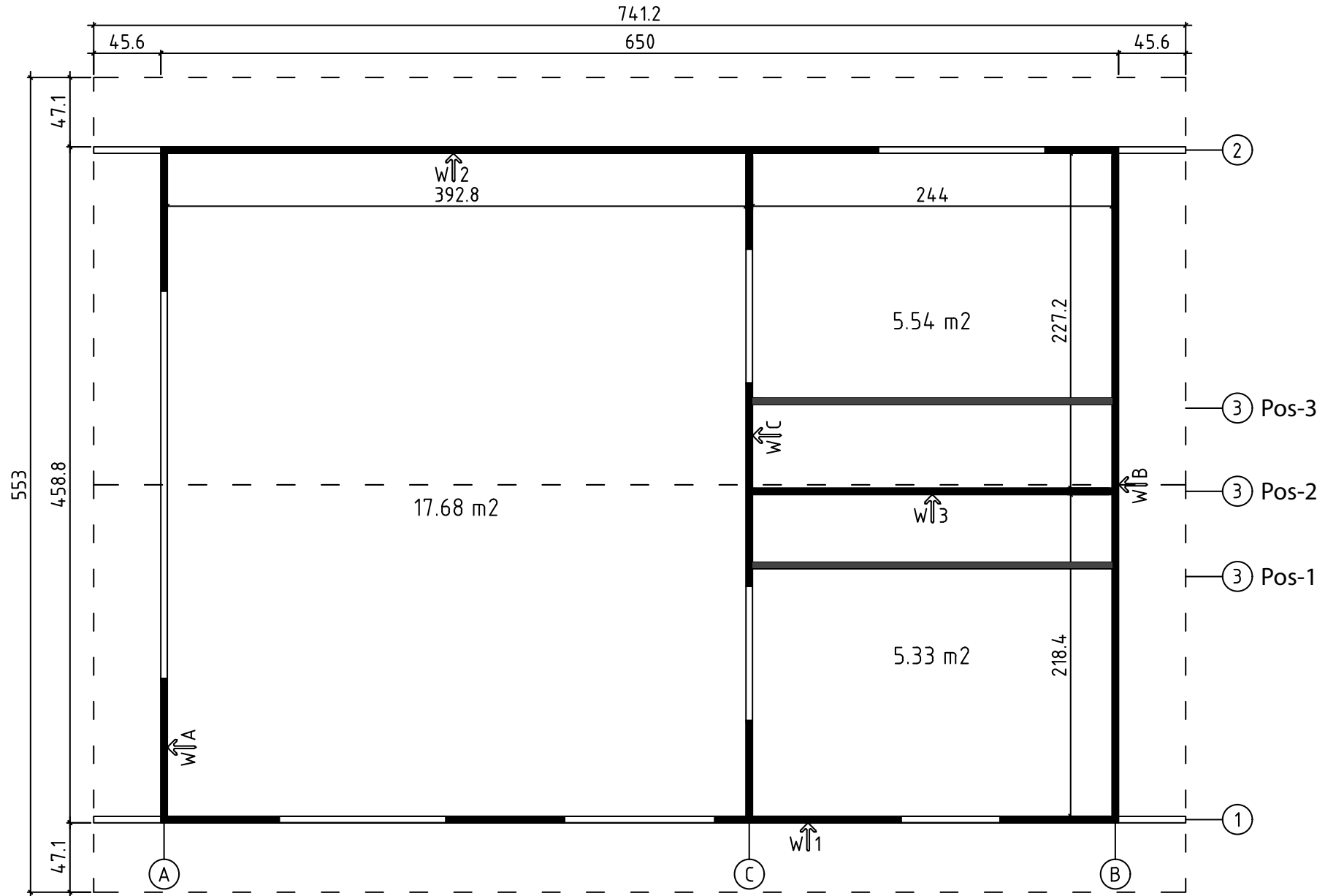


Vertical/Horizontal
Vertikale/Horizontal
Verticaal/Horizontal
Verticale/Horizontal
Verticale/Orizzontale
Vertical/Horizontal

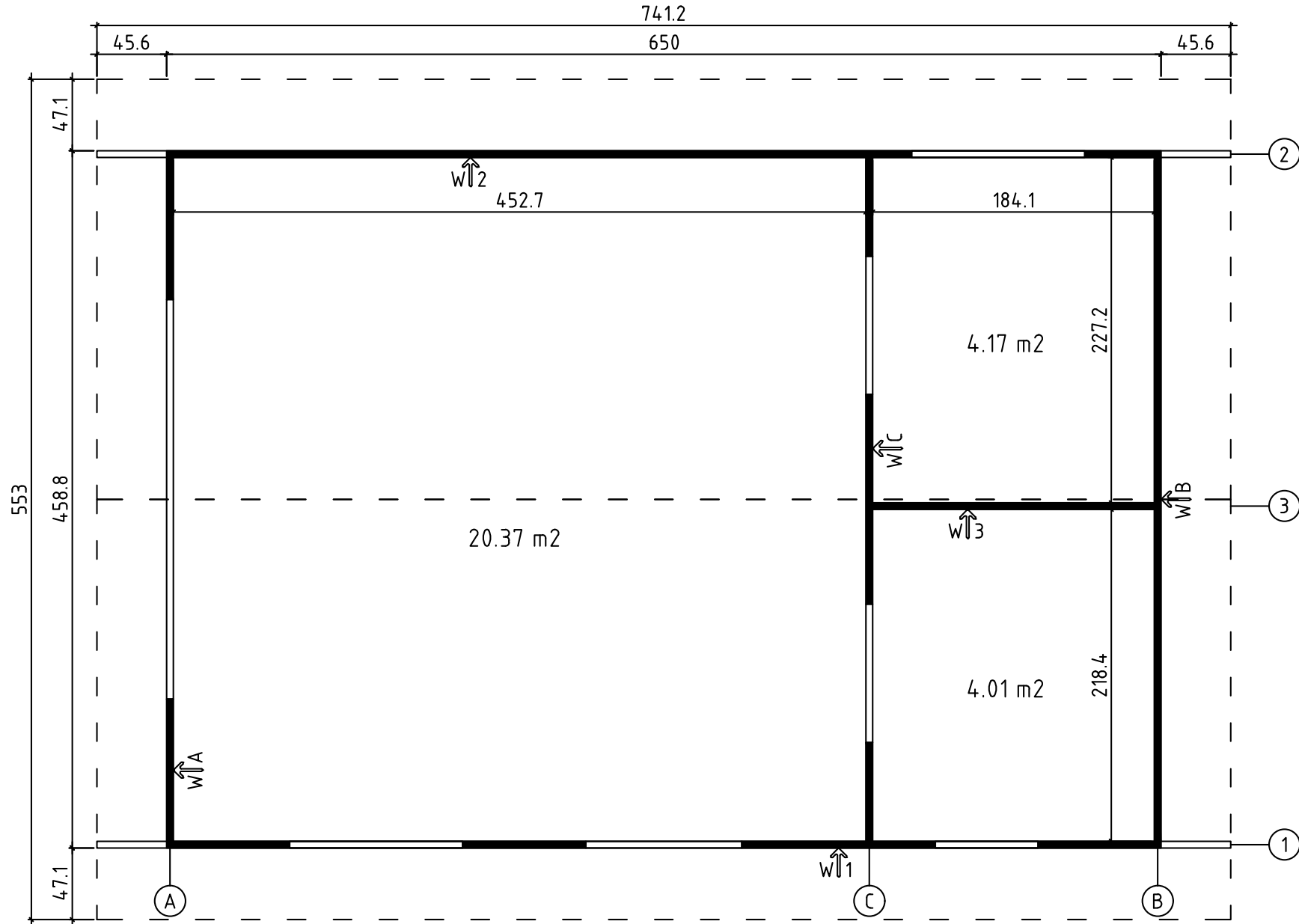


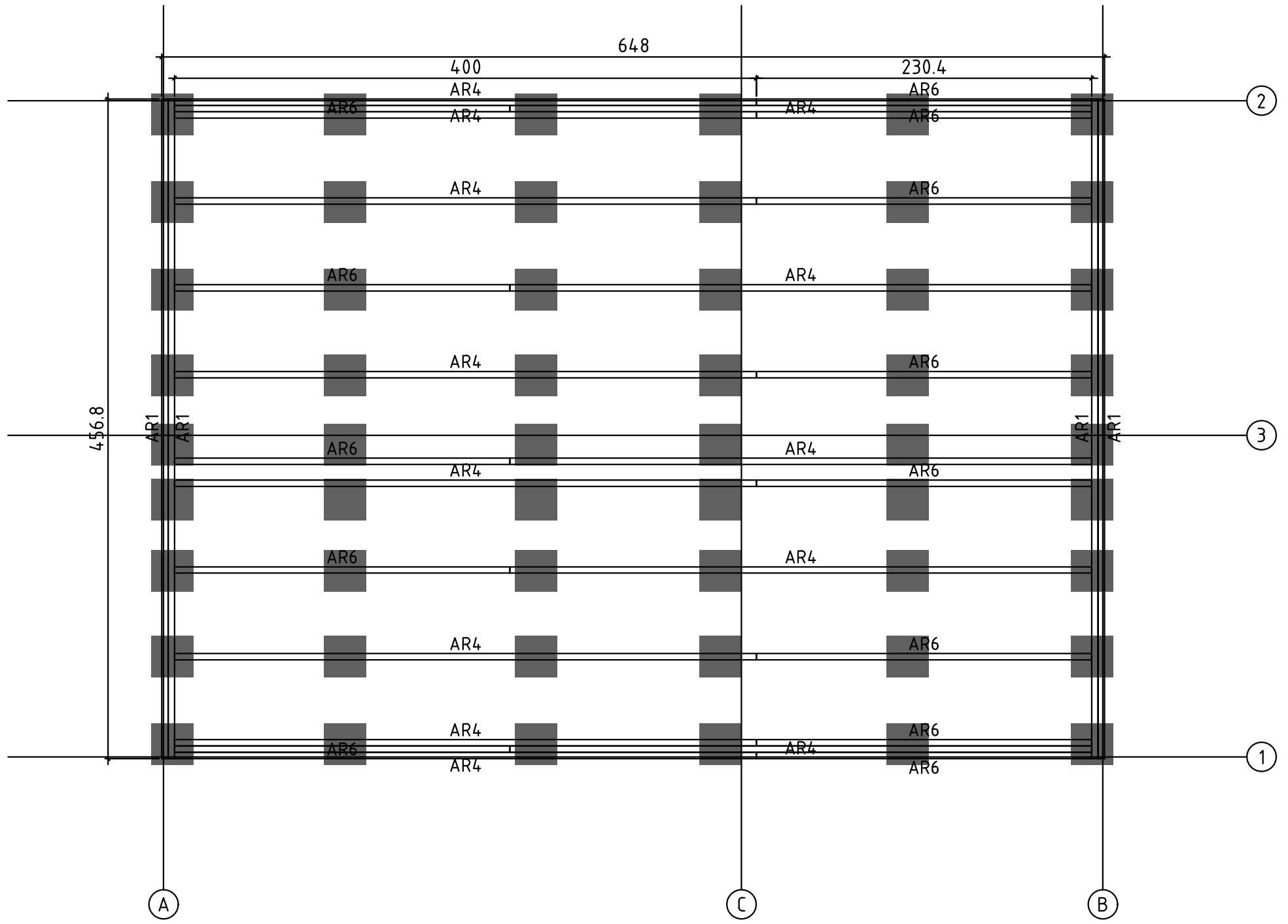
Fix with screw
Mit Schraube befestigen
Bevestig met schroef
Fixer avec une vis
Fissare con vite
Fijar con tornillo

GROUNDPLAN 1

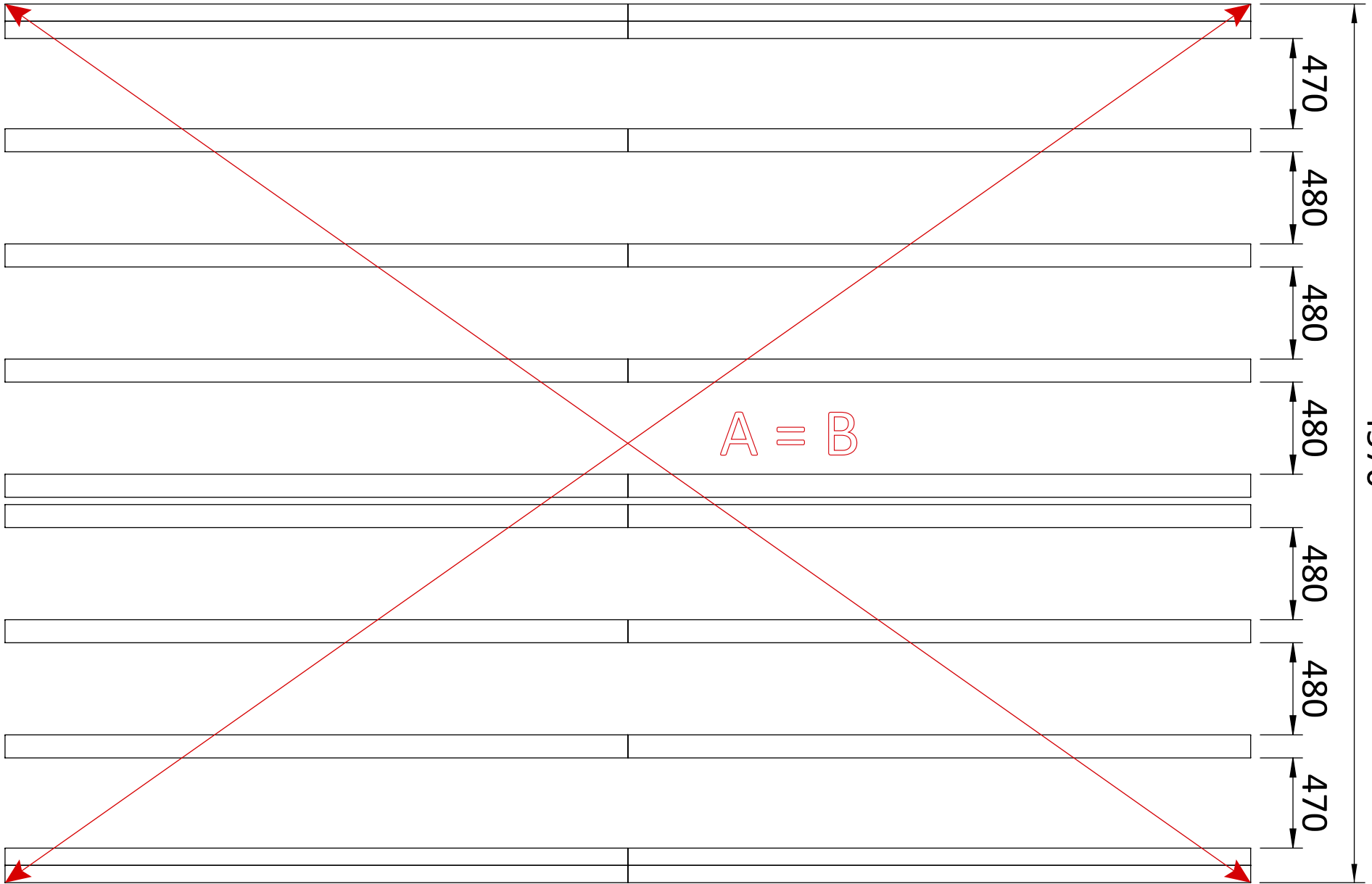


GROUNDPLAN 2

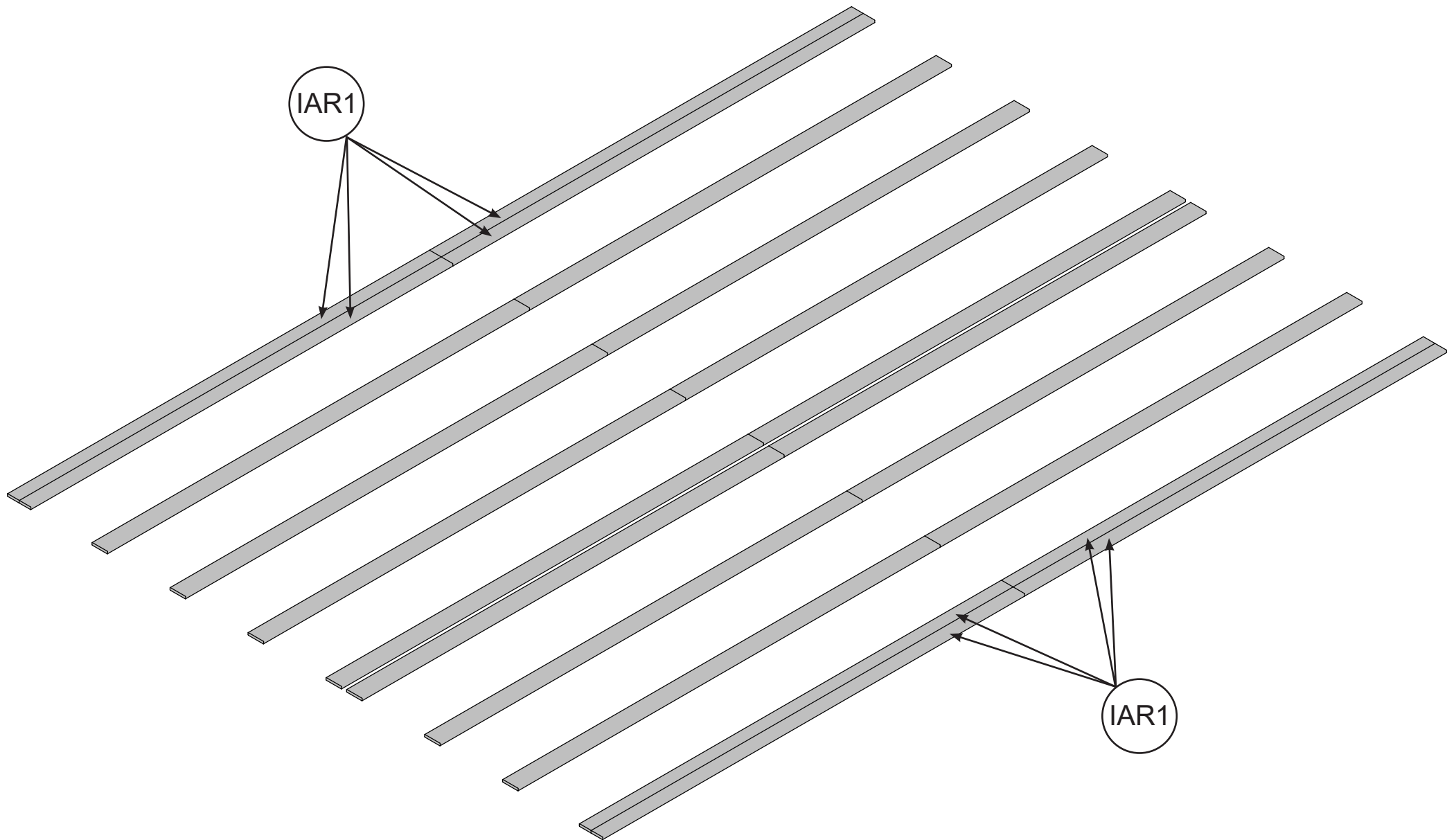




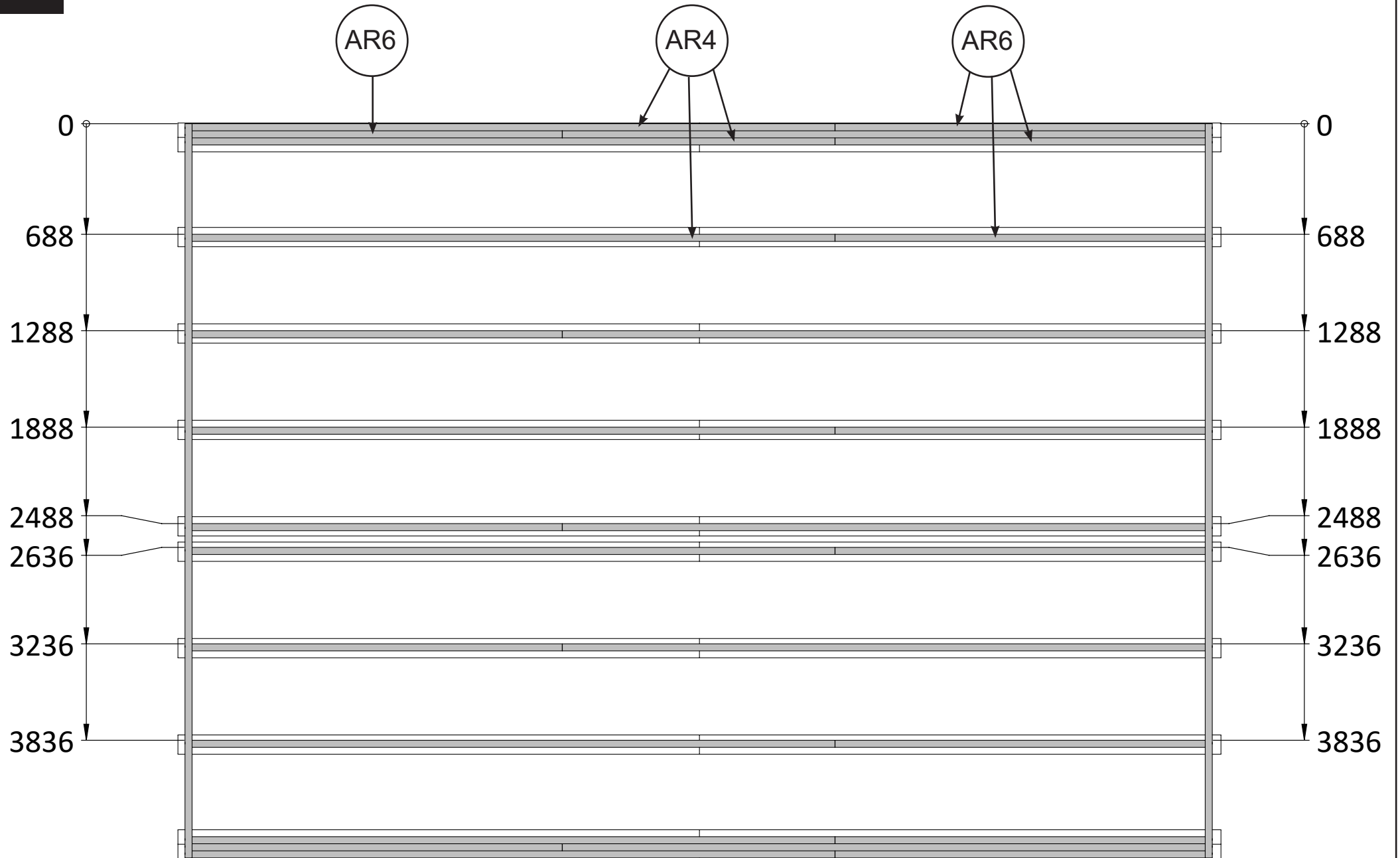
1A



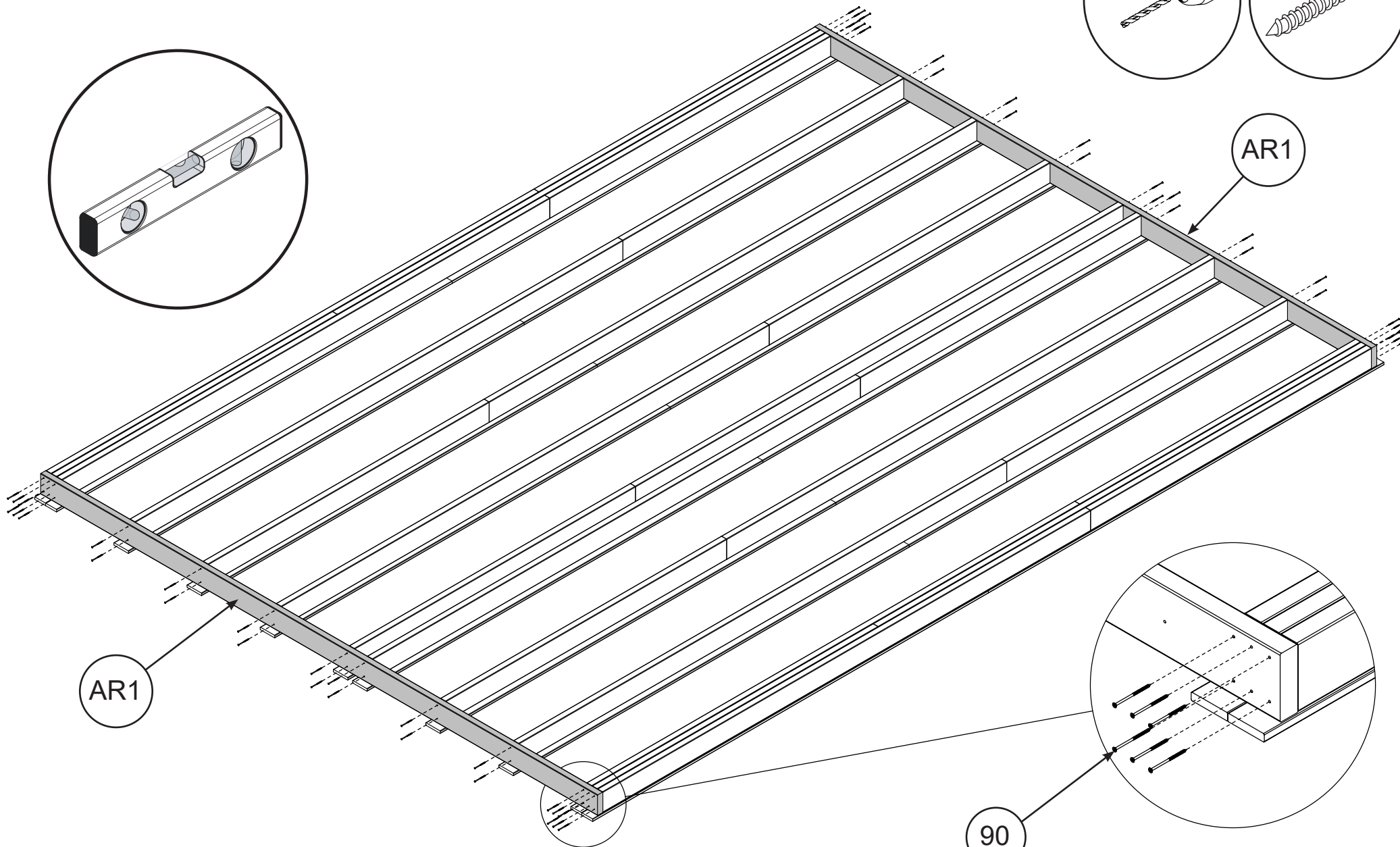
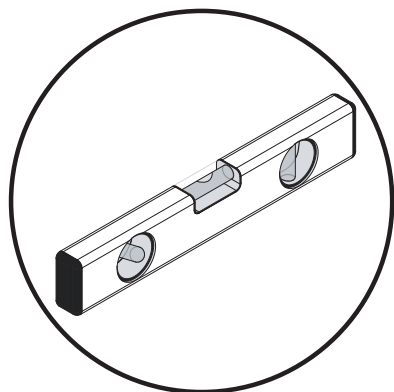
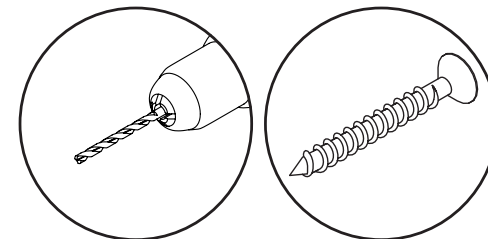
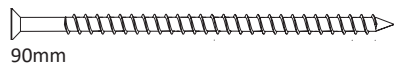
1B



2A



2B



AR1

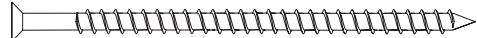
AR1

90

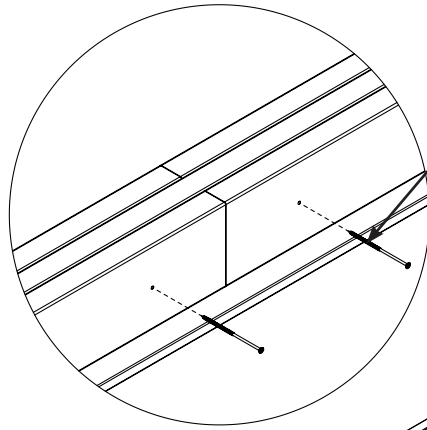
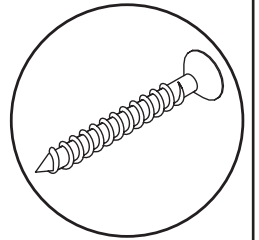
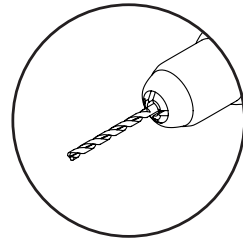
3



60mm



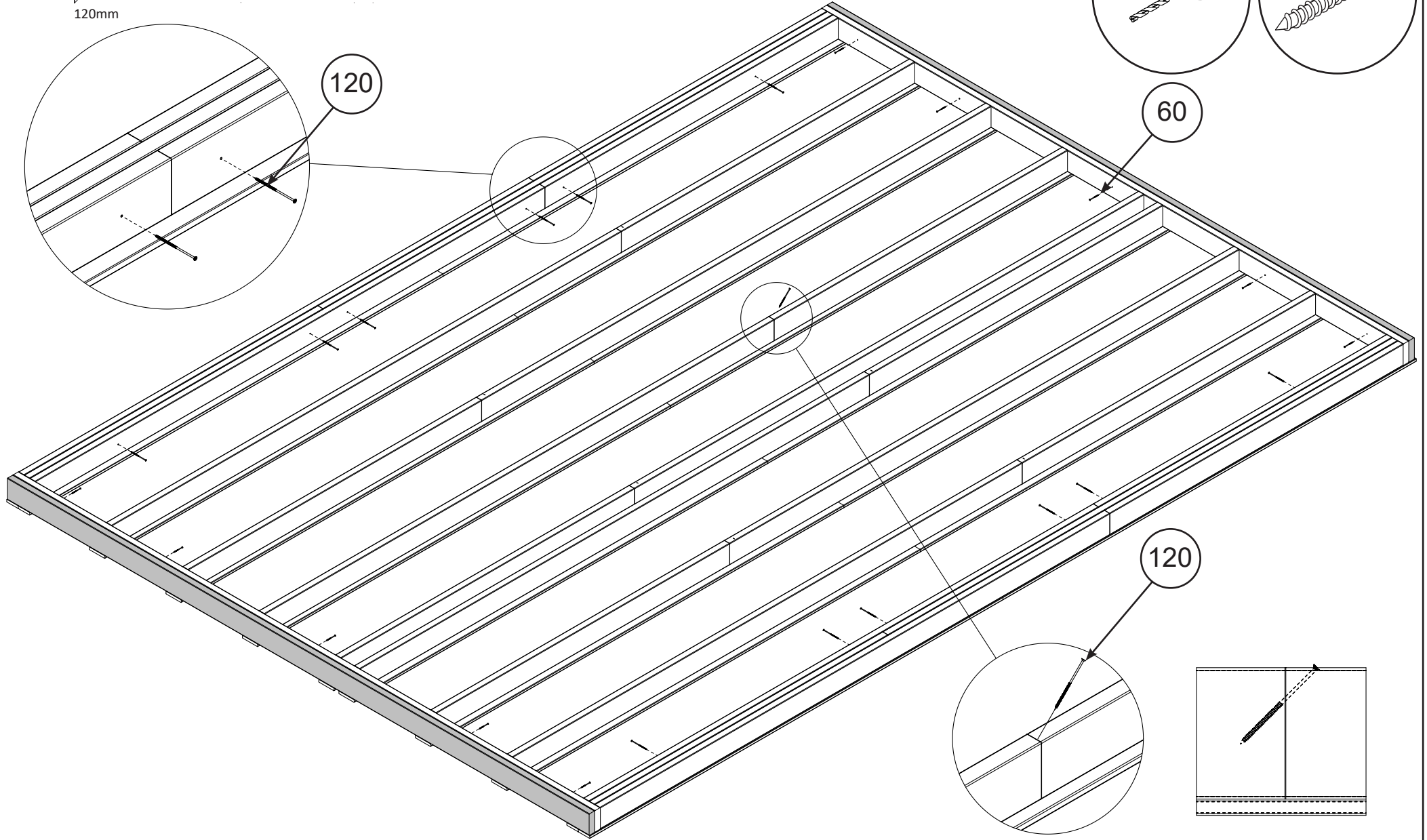
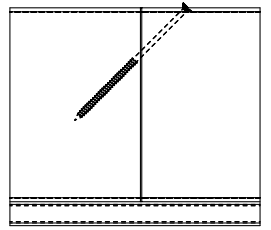
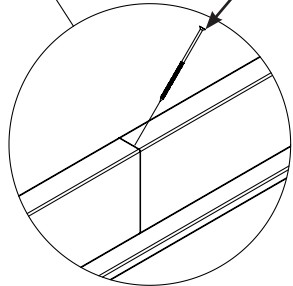
120mm



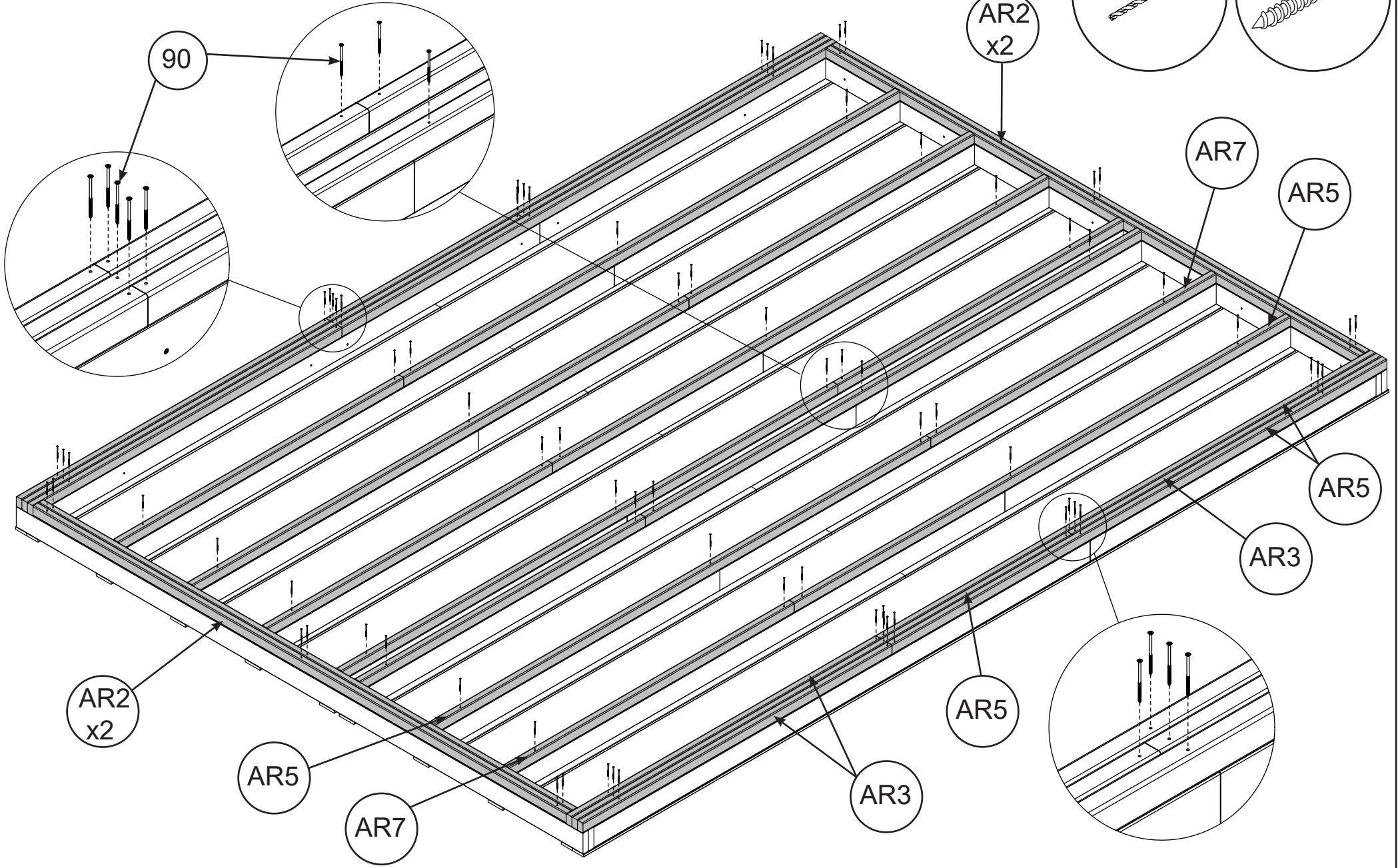
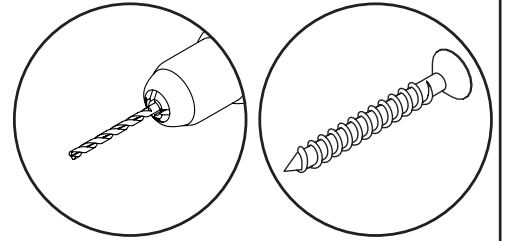
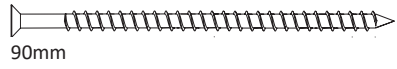
120

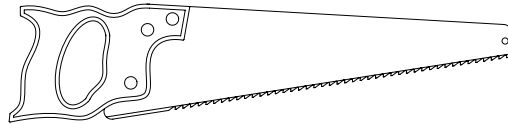
60

120



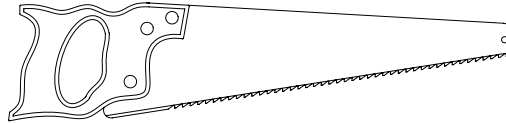
4





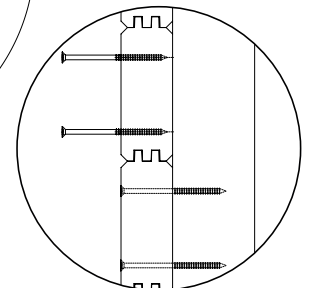
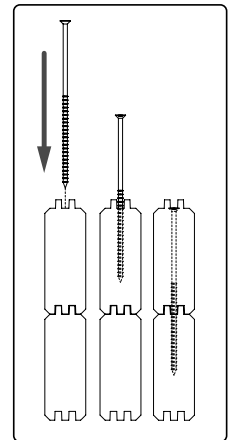
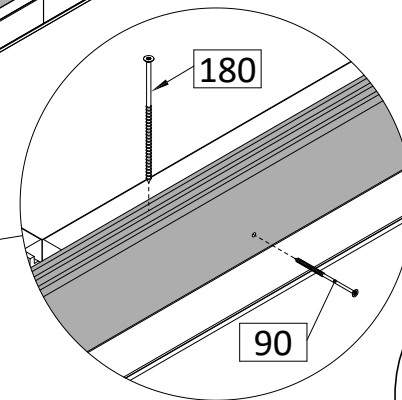
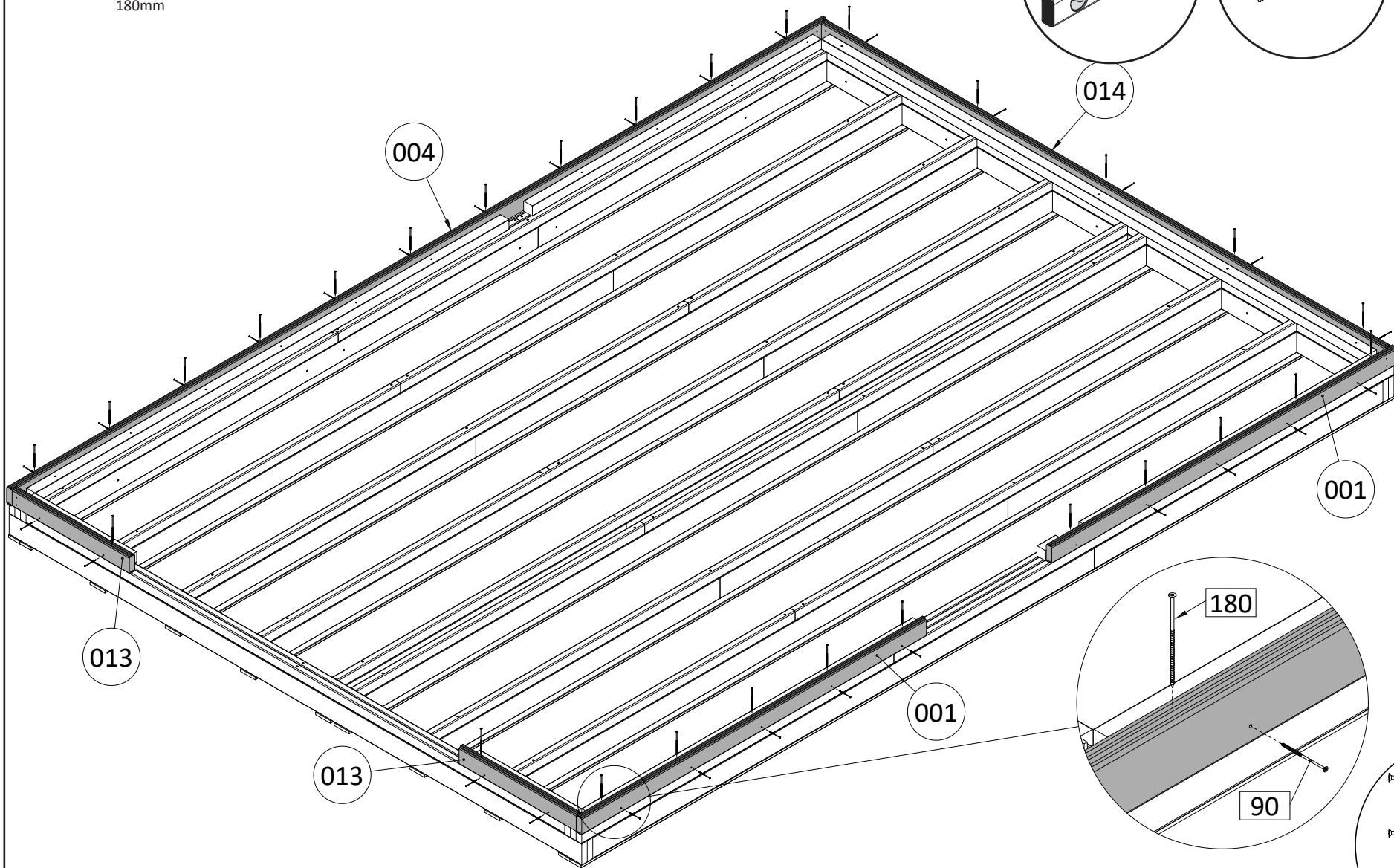
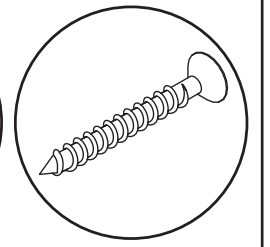
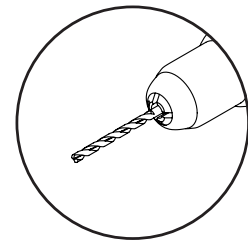
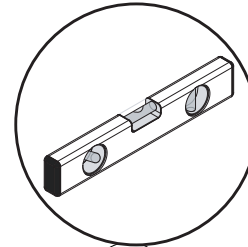
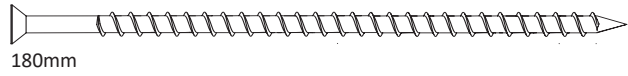
WALL	GROUNDPLAN	USE ITEM	CUT	QTY	NEW IDENT
W1	1	PT2		x 1	PT2-2300
		PT2		x 1	PT2-2640 + PT2-0147
	2	PT1		x 1	PT1-1700 + PT1-0747
		PT2		x 1	PT2-2640
W2	1	PT1		x 1	PT1-3779
		PT2		x 1	PT2-2300
	2	PT1		x 1	PT1-4360
		PT2		x 1	PT2-1700 + PT2-0020

5B



WALL	POSITION	USE ITEM	CUT	QTY	NEW IDENT
WA	1,2,3	PT2		x 1	PT2-0810
WB	1	PT1		x 1	PT1-2653 + PT1-1662
	2	PT1		x 1	PT1-2113 + PT1-2202
	3	PT1		x 1	PT1-2653 + PT1-1662

6



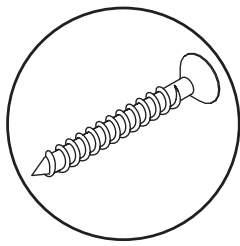
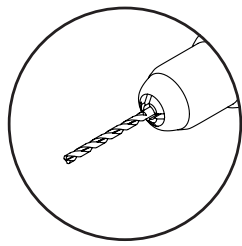
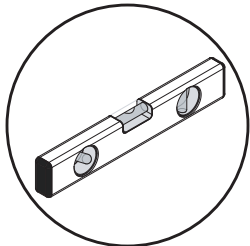
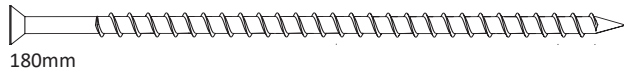
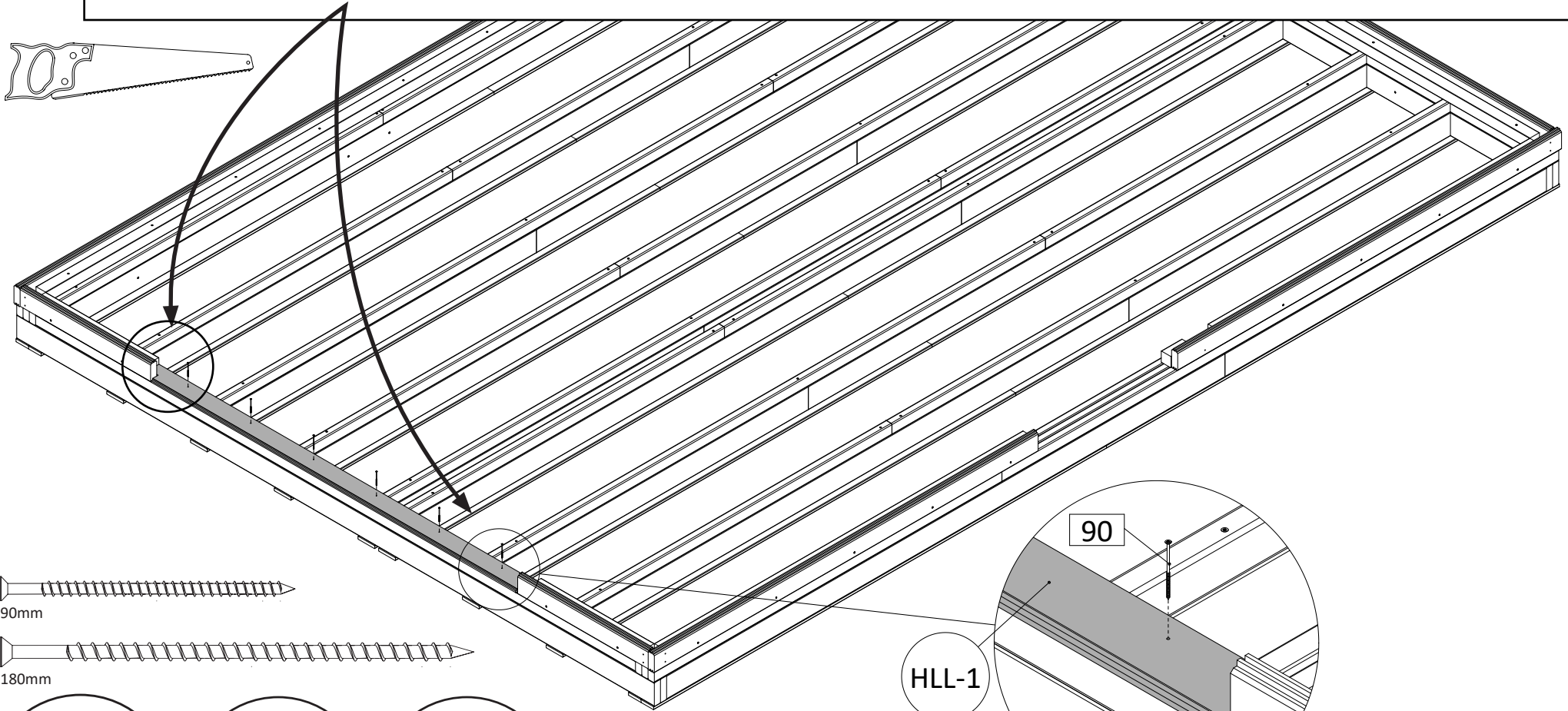
7

2740

50

2610

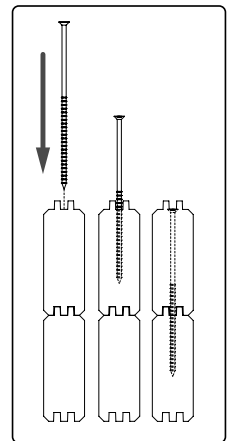
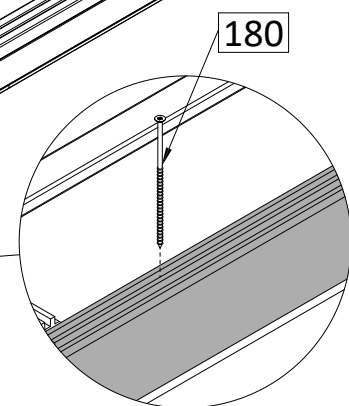
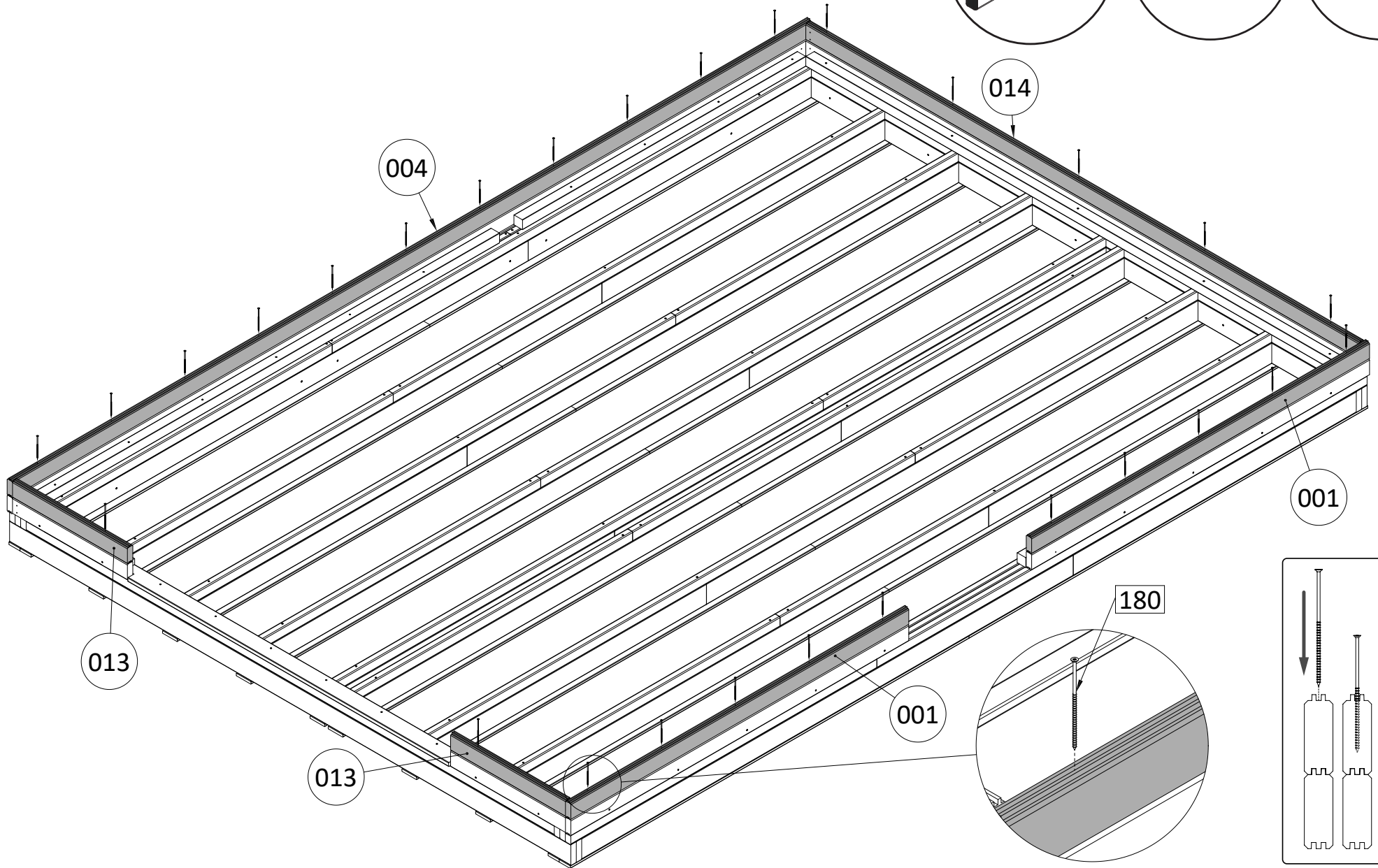
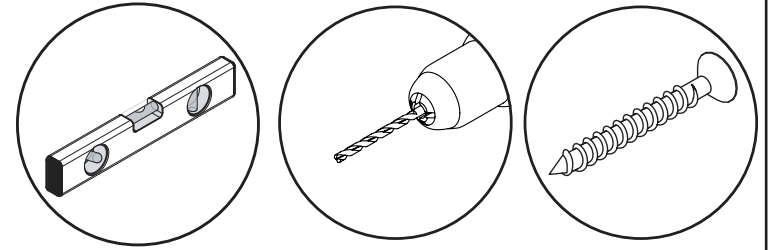
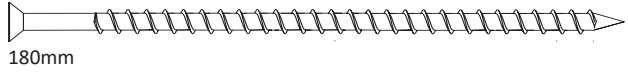
50



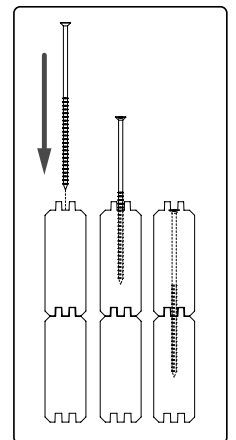
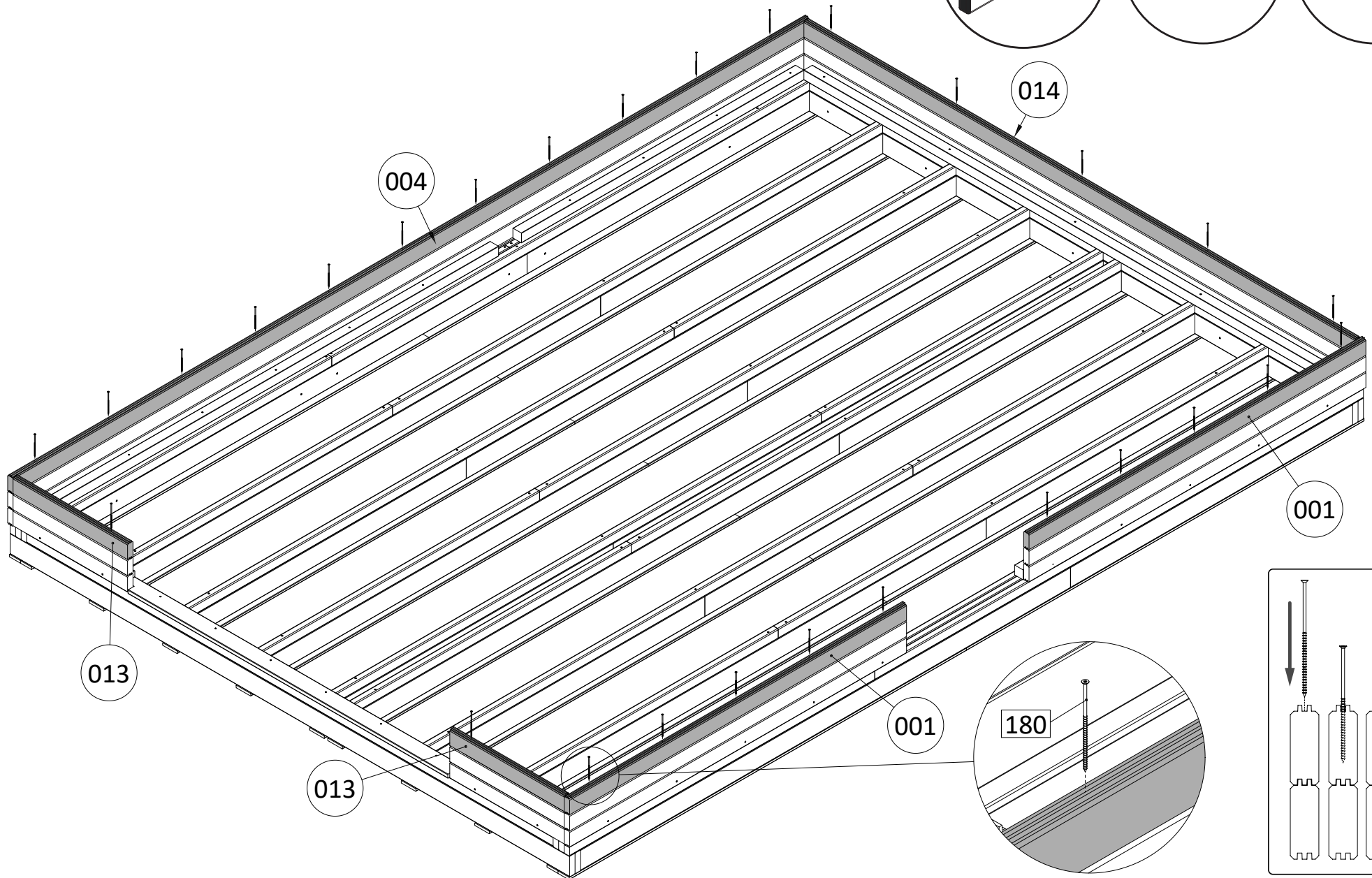
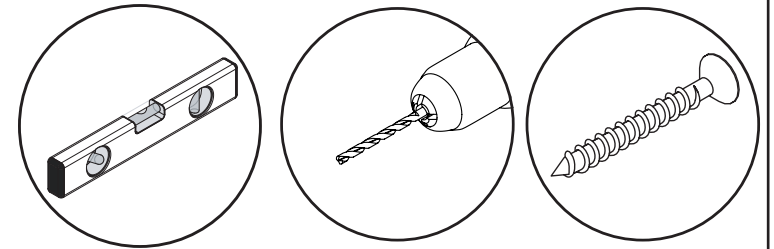
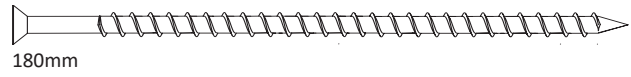
HLL-1

90

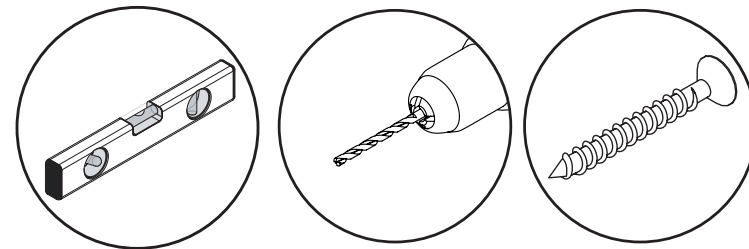
8



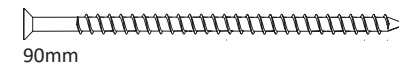
9



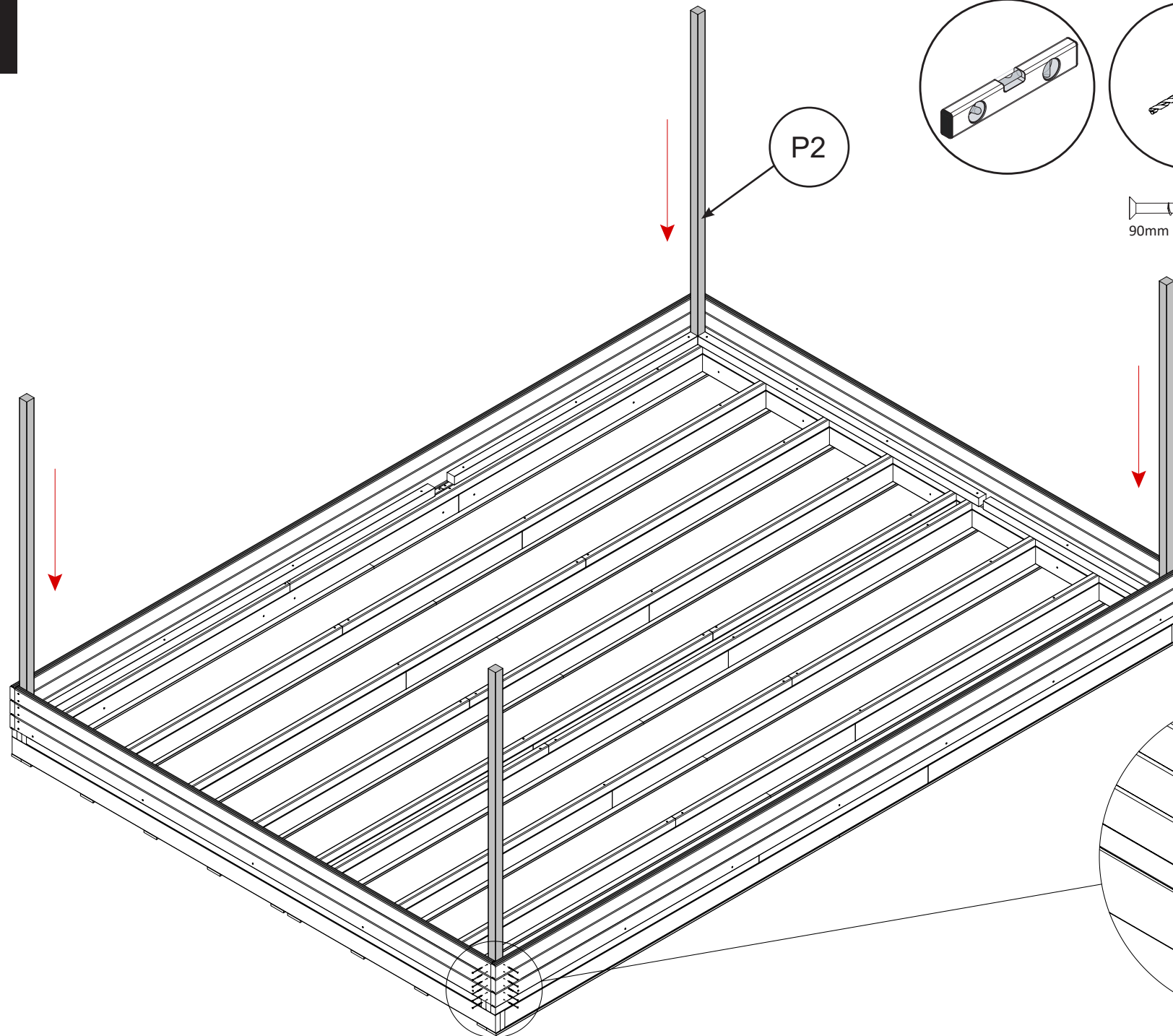
10



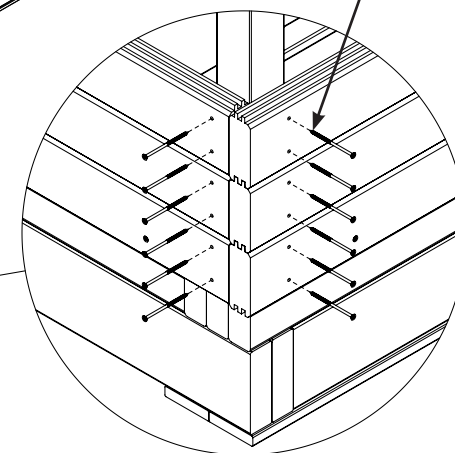
P2

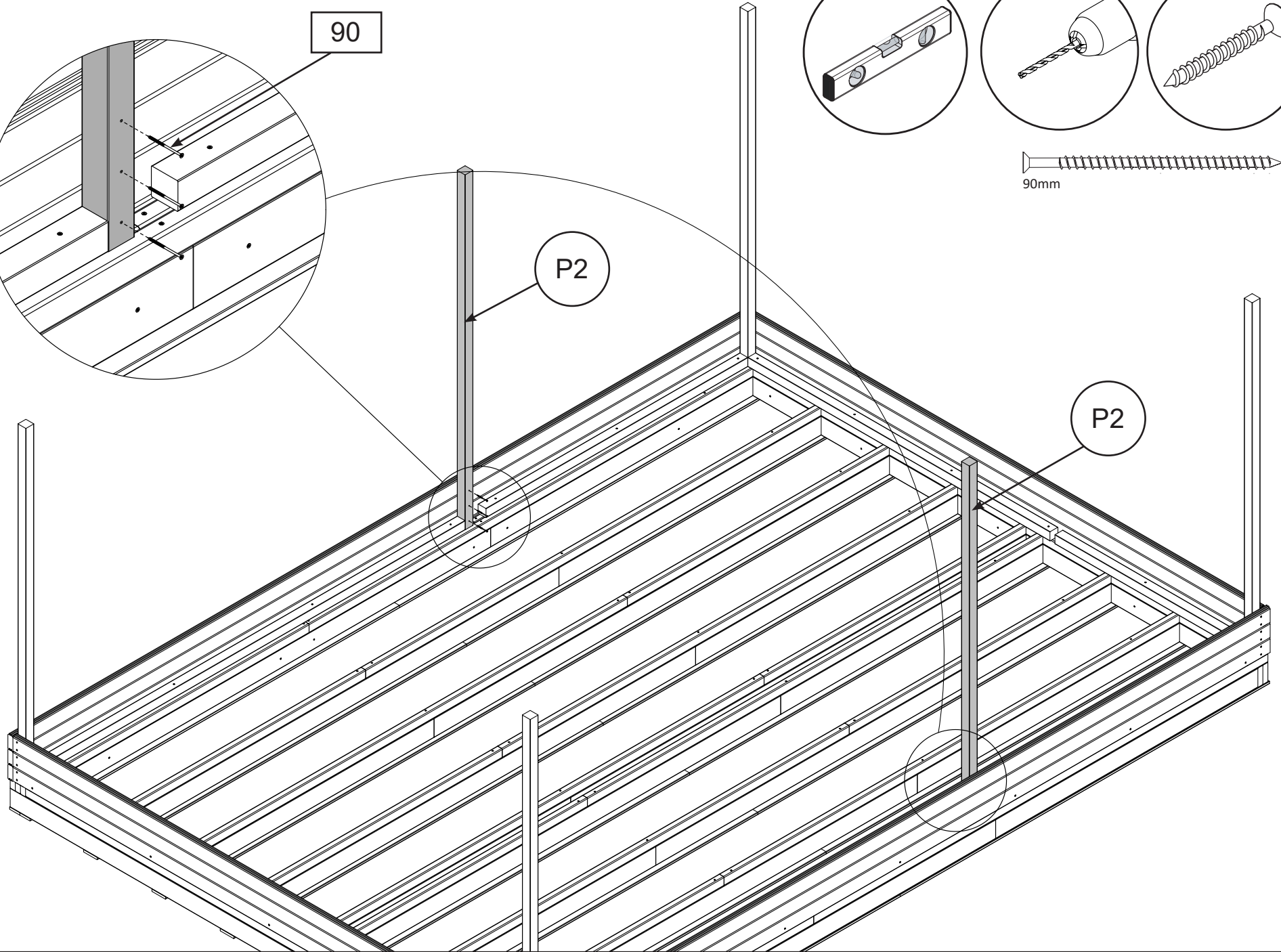
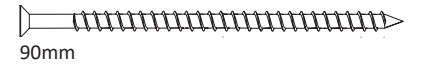
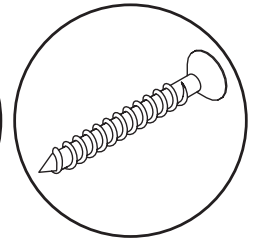
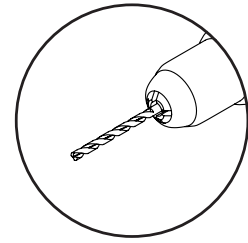
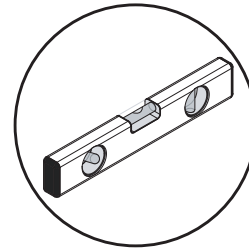
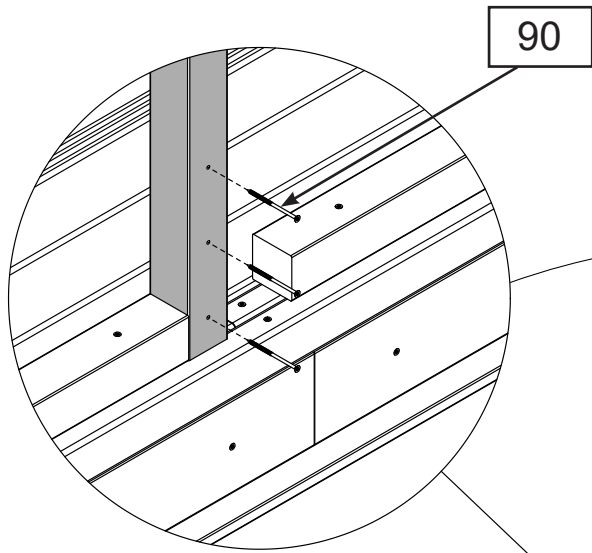


90mm

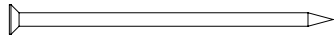


90

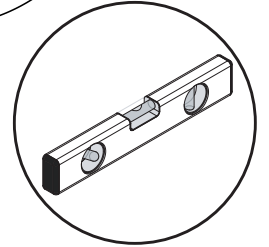
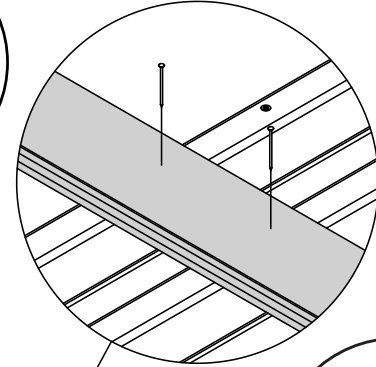
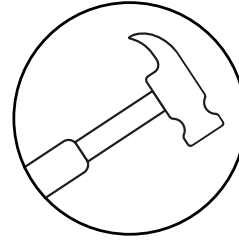




12

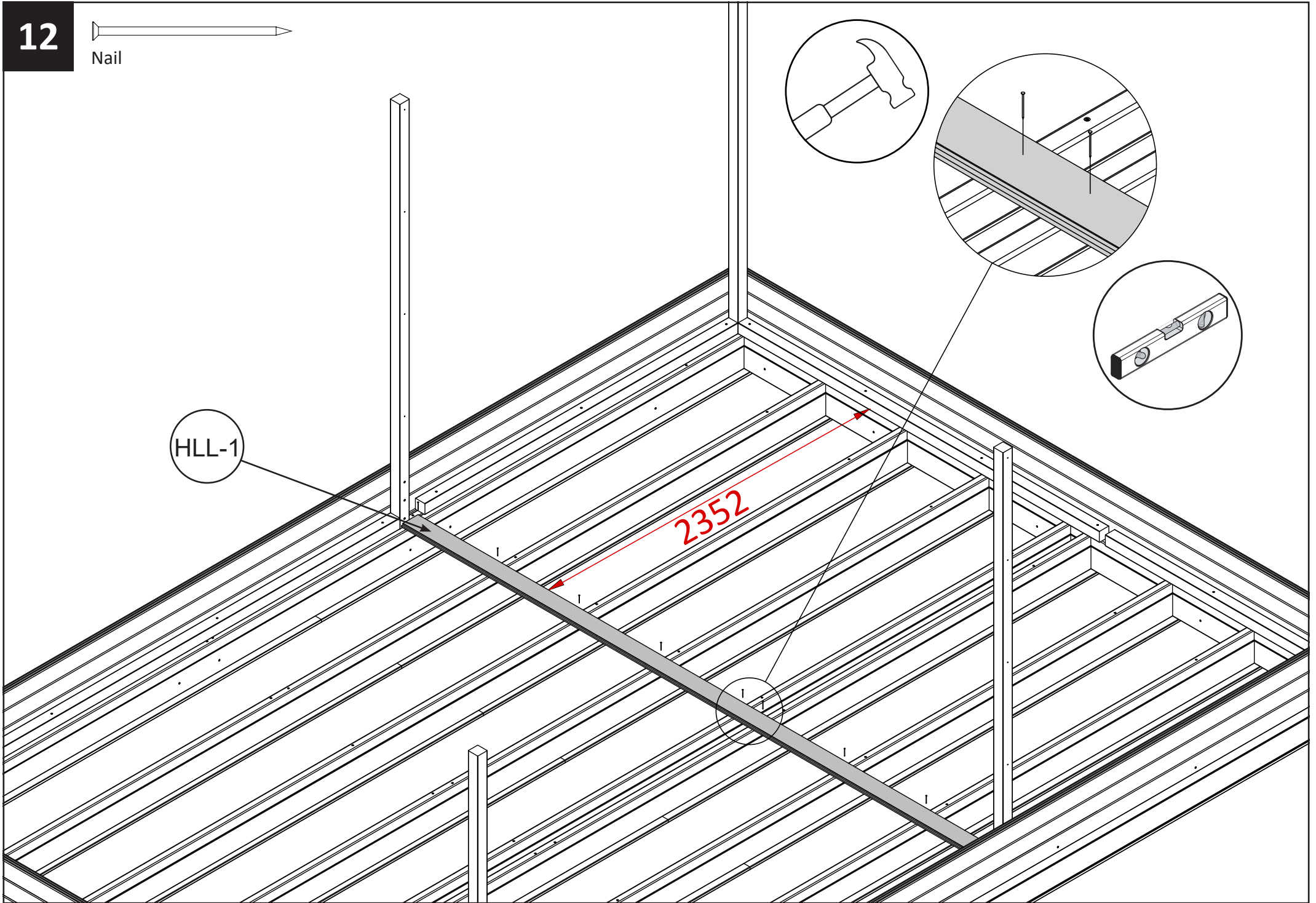


Nail

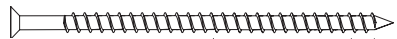


HLL-1

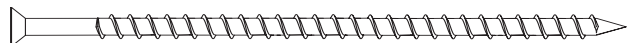
2352



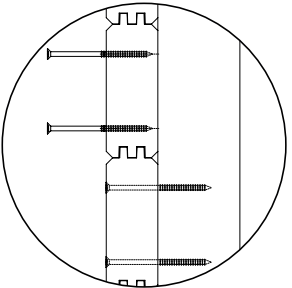
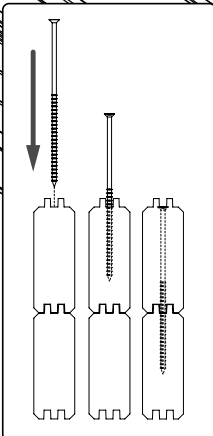
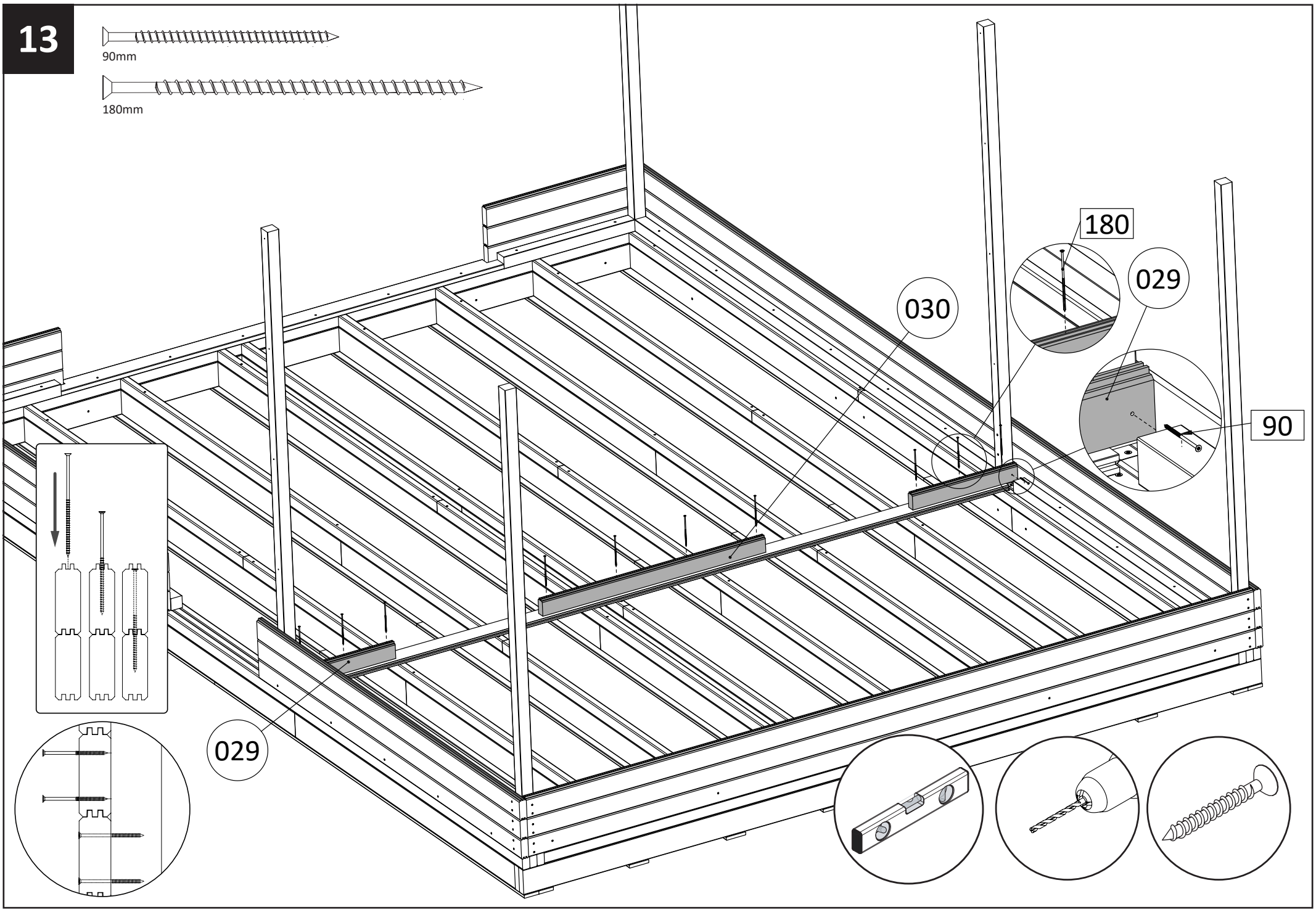
13



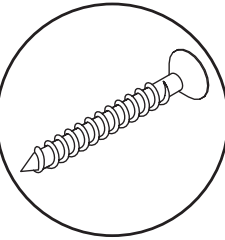
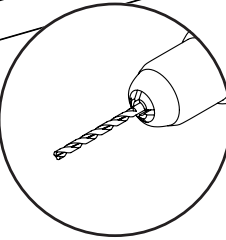
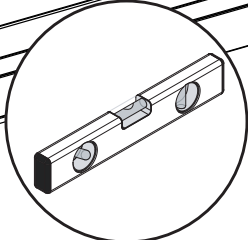
90mm



180mm



029



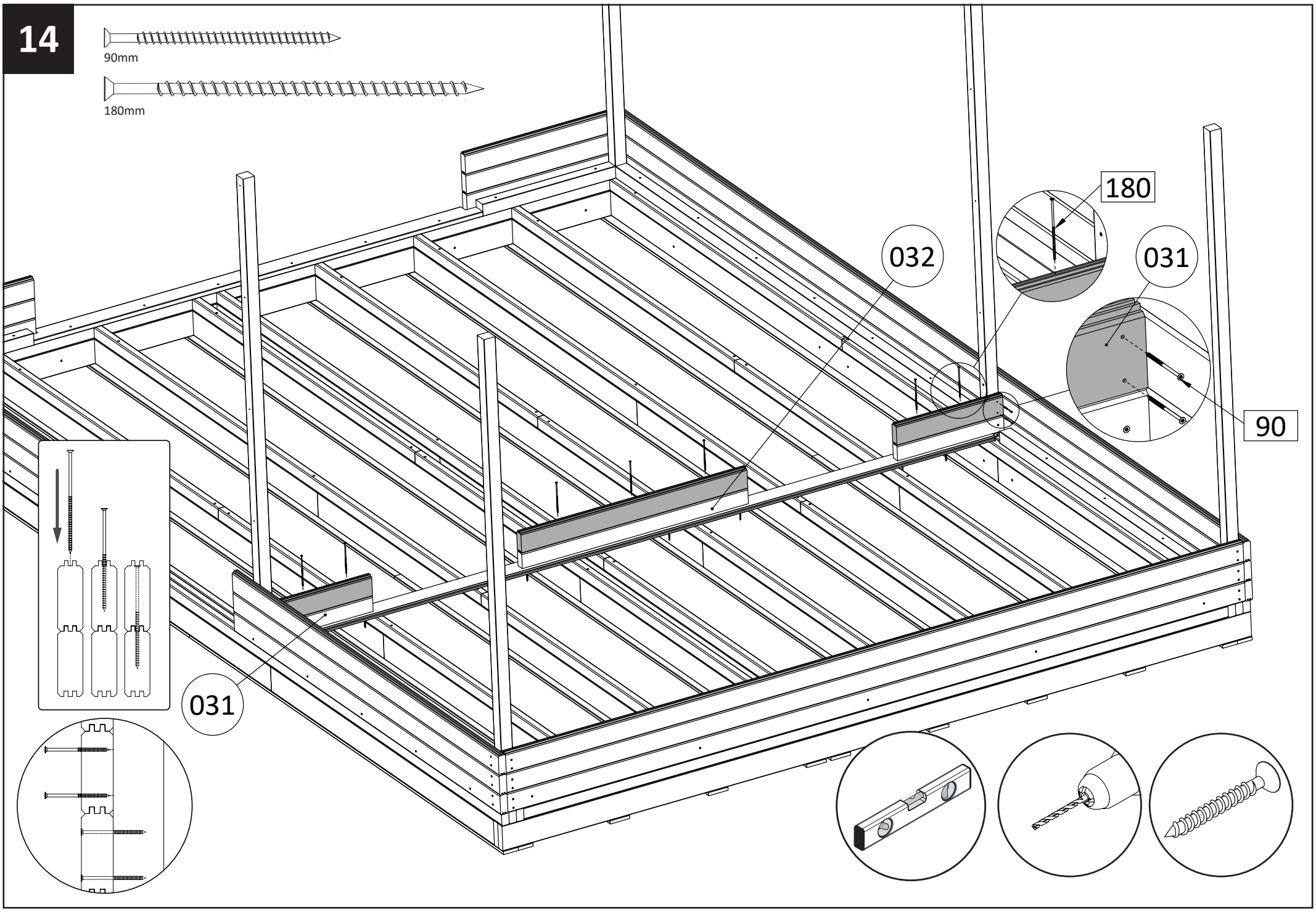
14



90mm



180mm



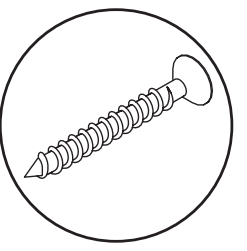
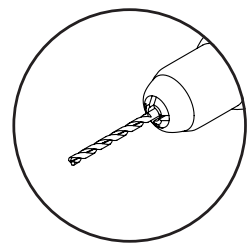
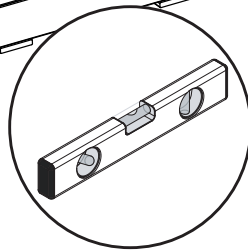
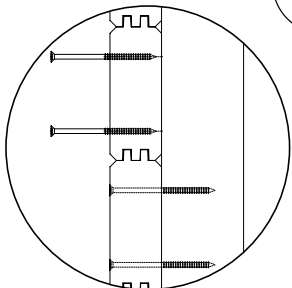
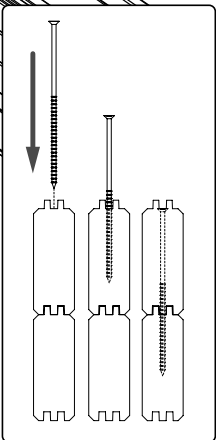
180

032

031

90

031



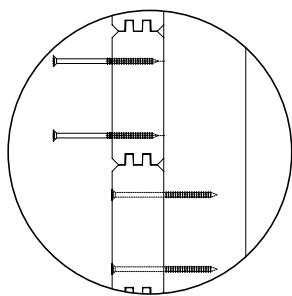
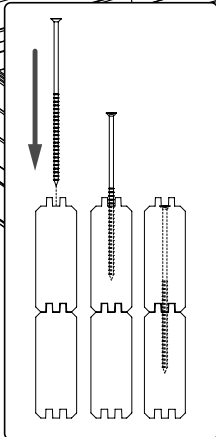
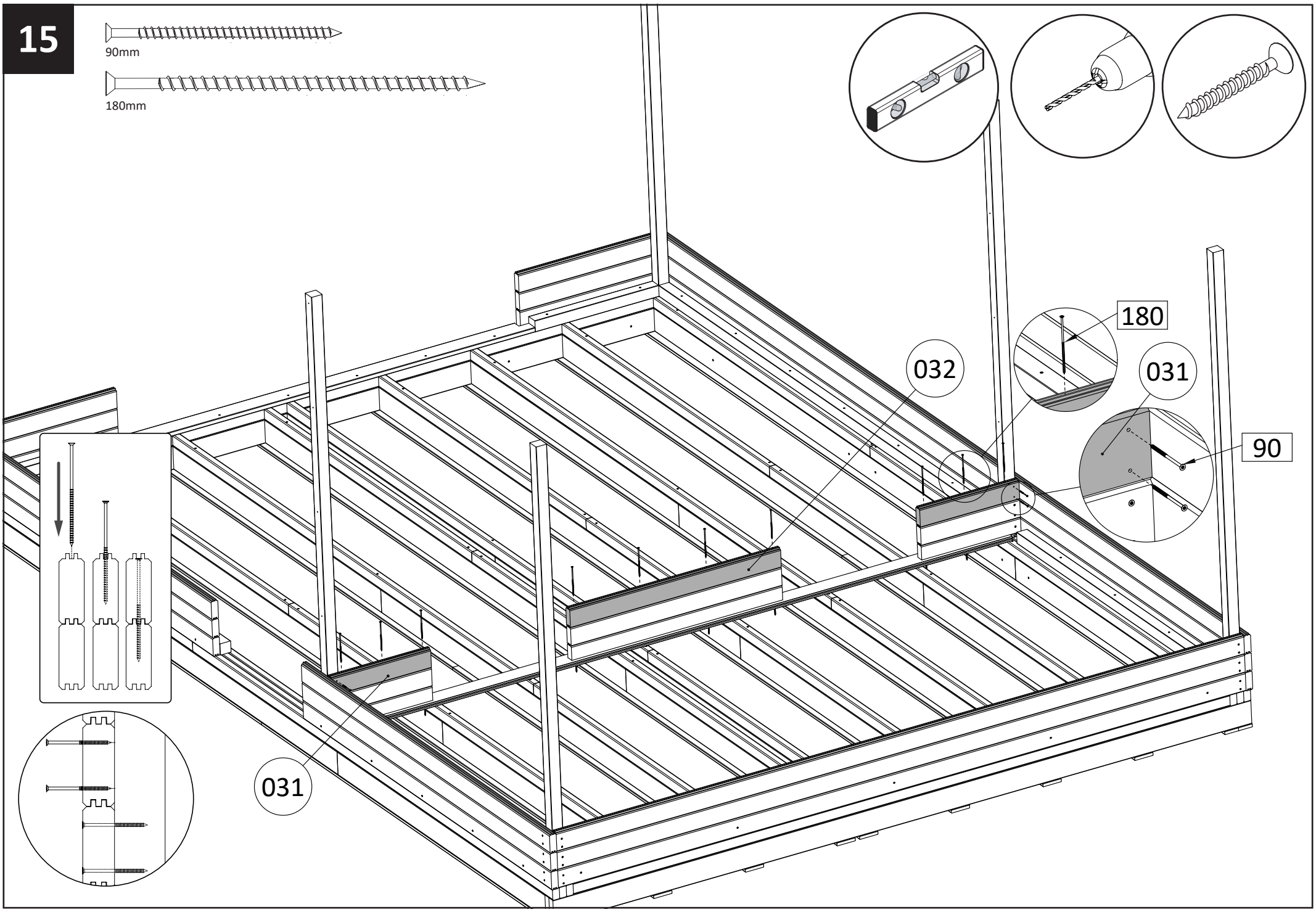
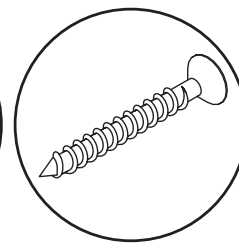
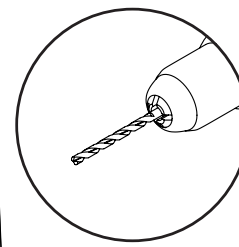
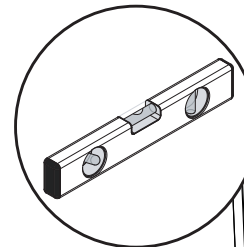
15



90mm



180mm



031

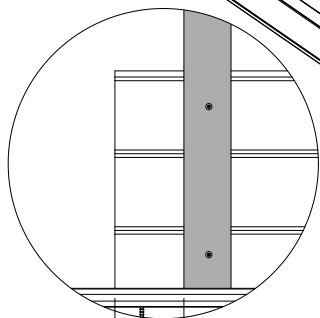
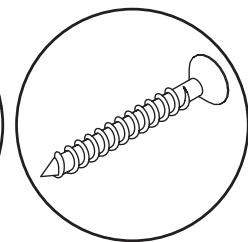
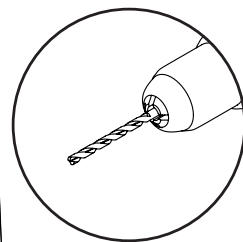
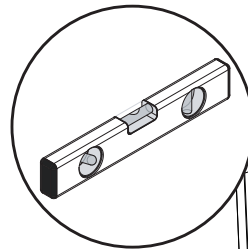
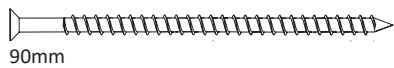
032

180

031

90

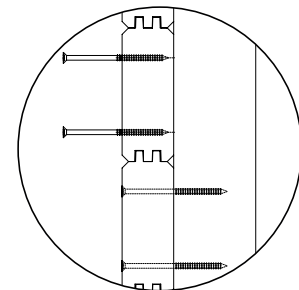
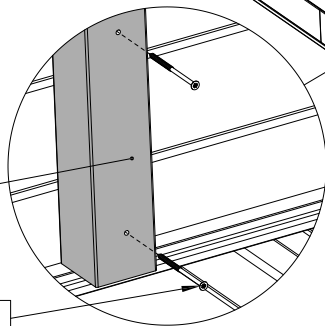
16



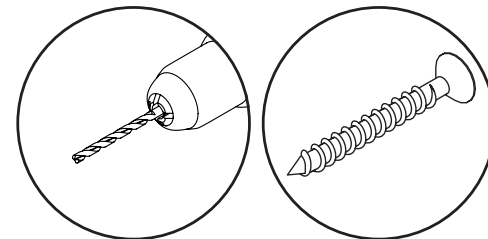
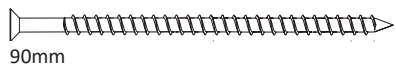
103

P1

90

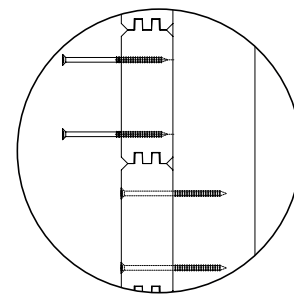
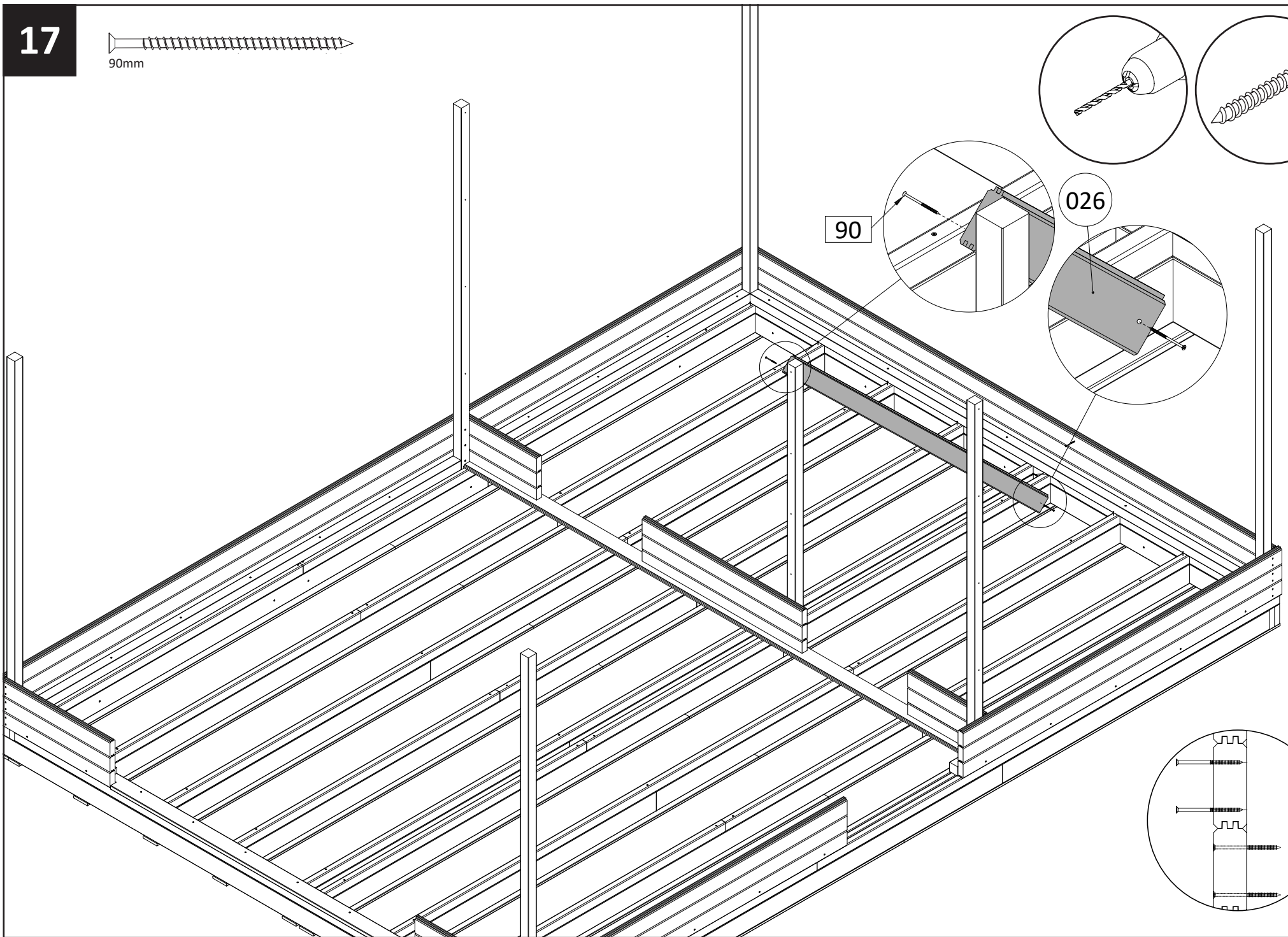


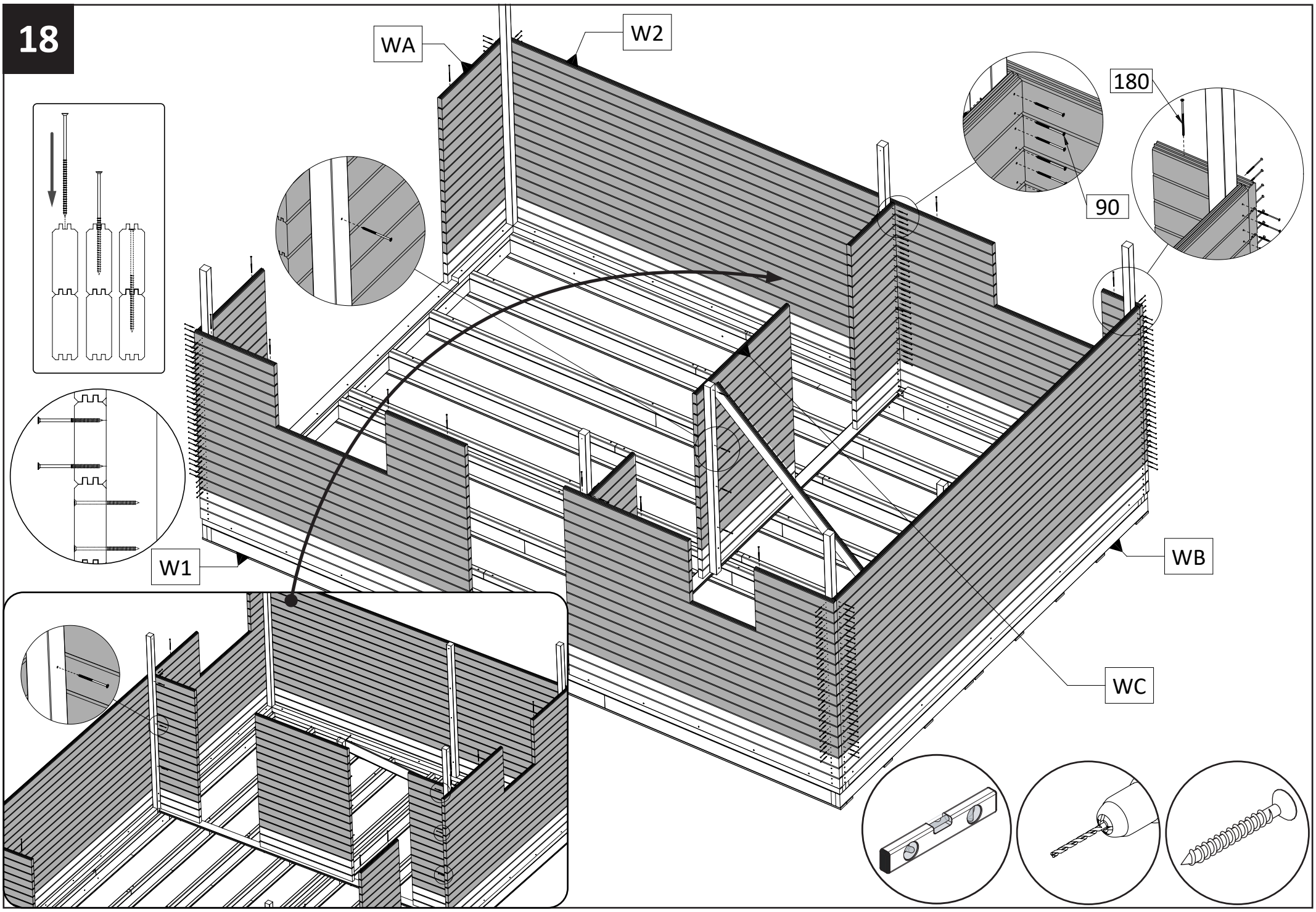
17



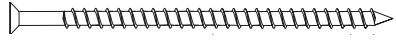
90

026





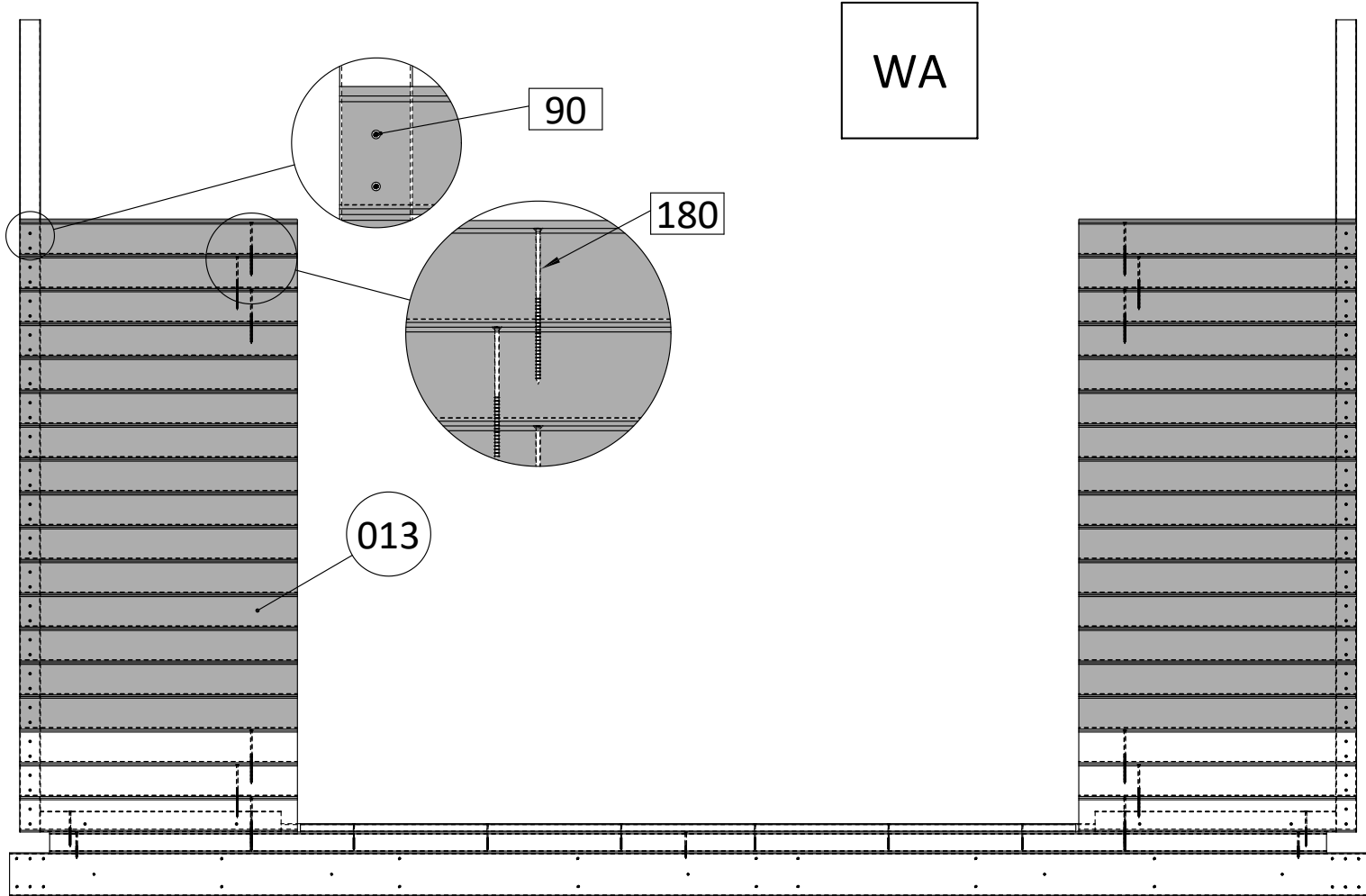
WA



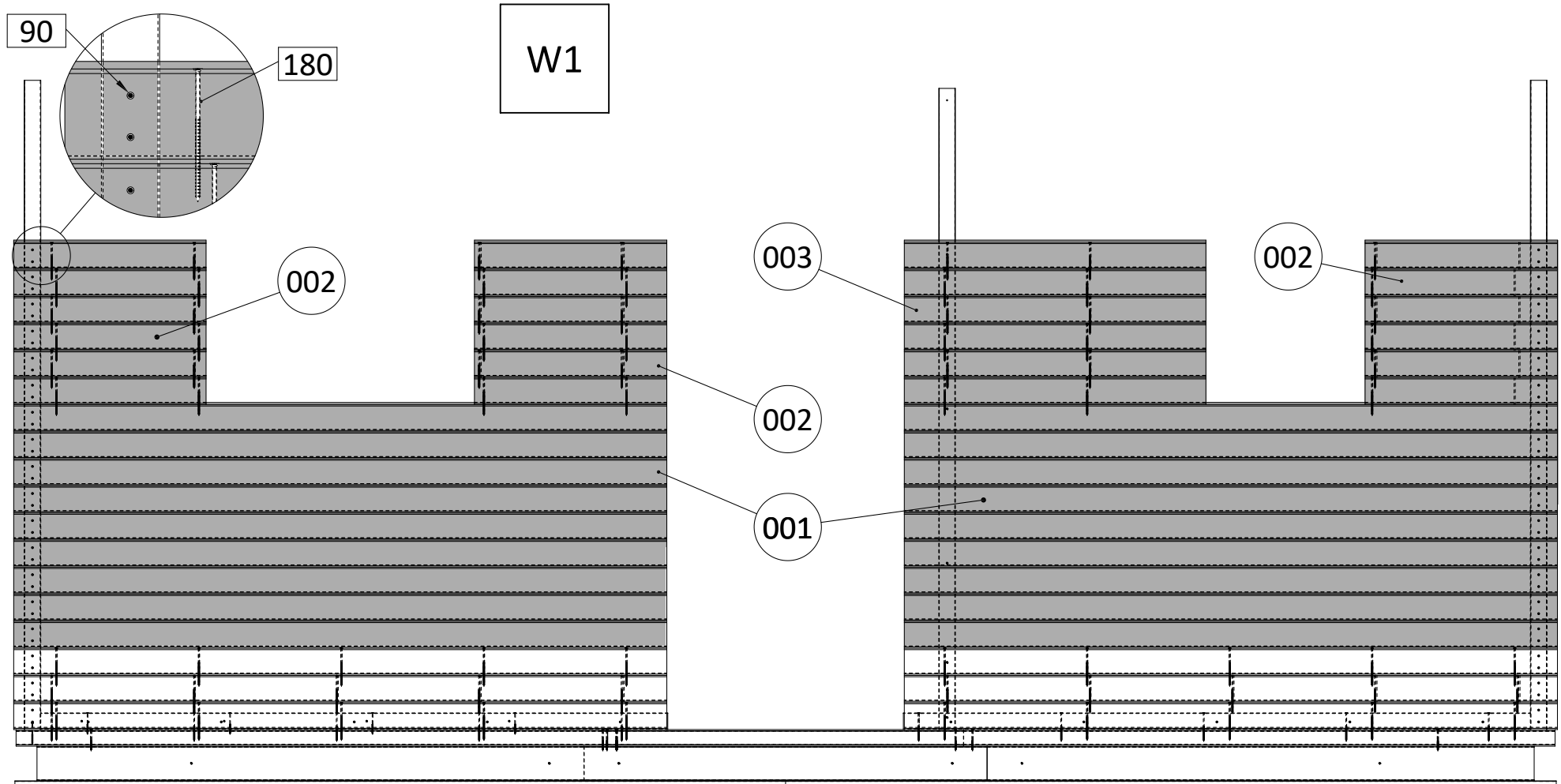
90mm



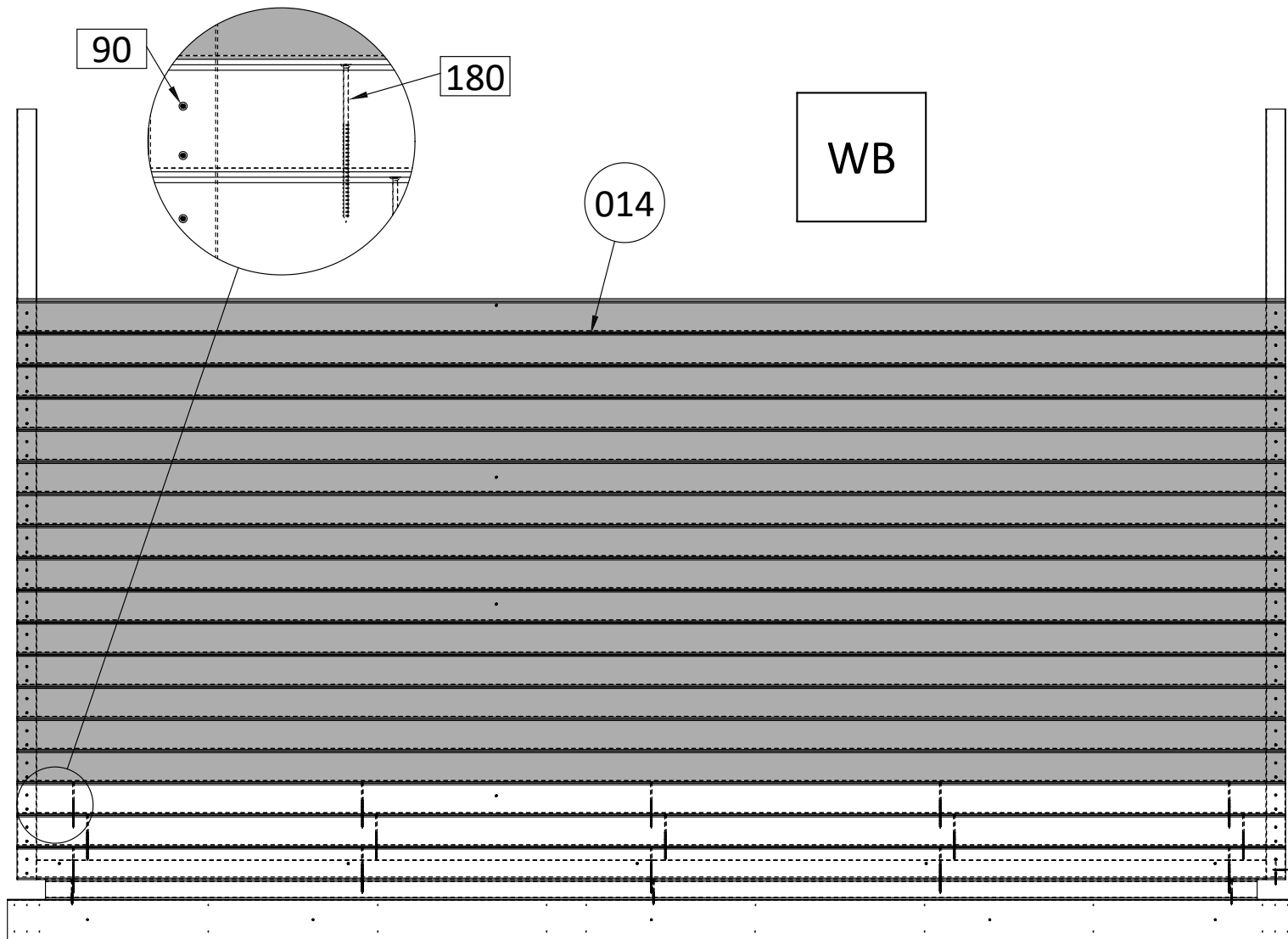
180mm



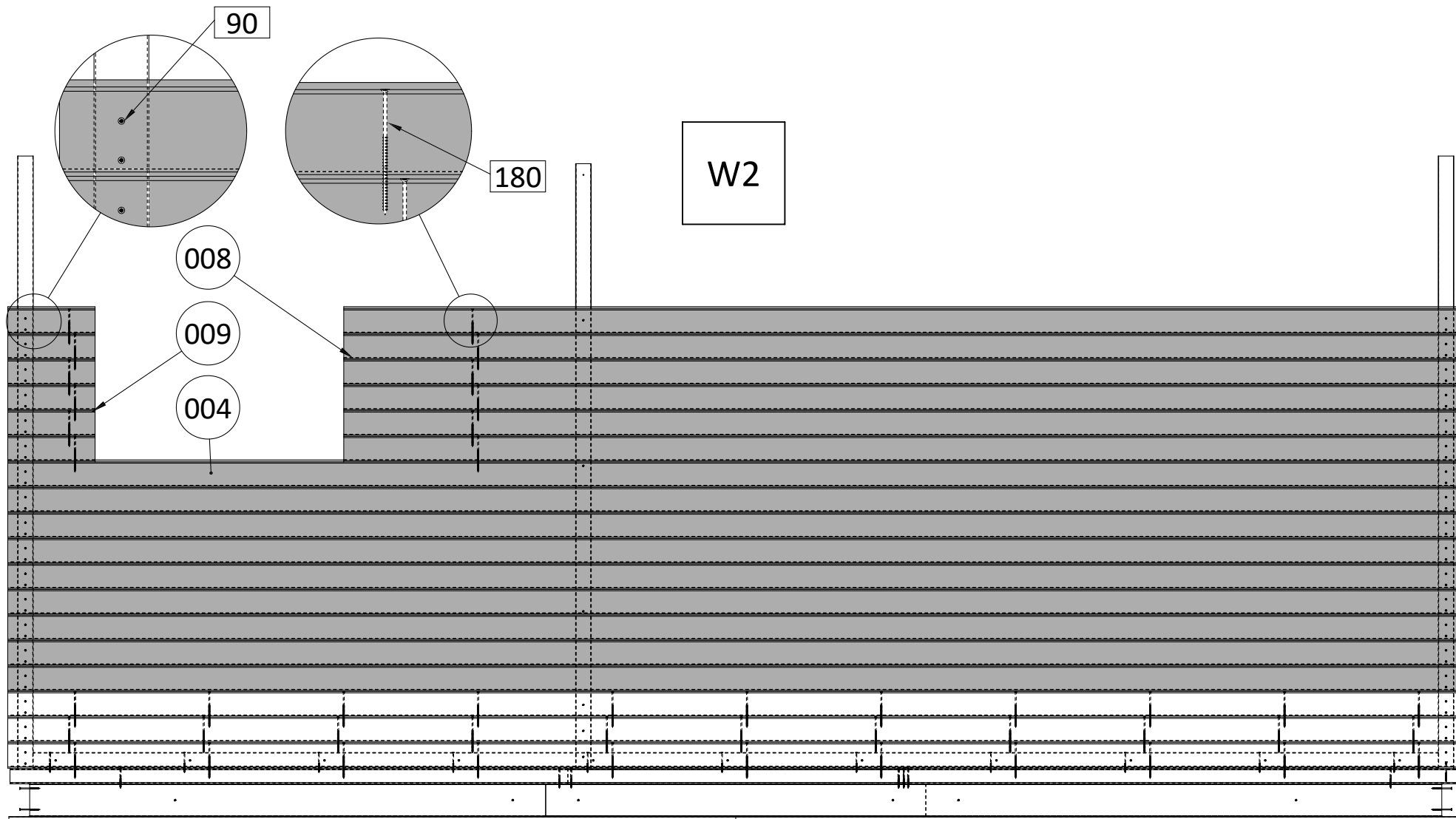
W1



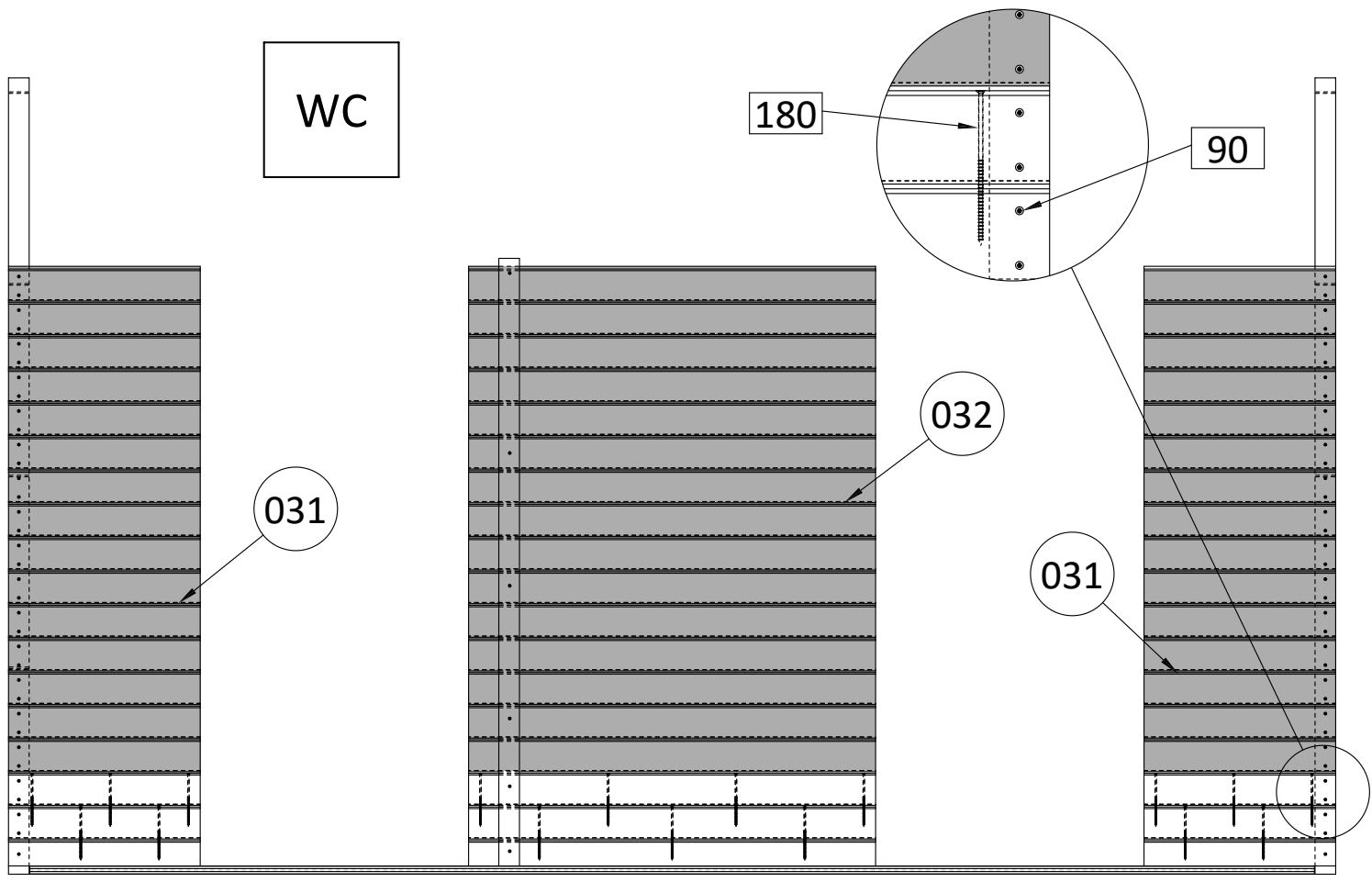
WB

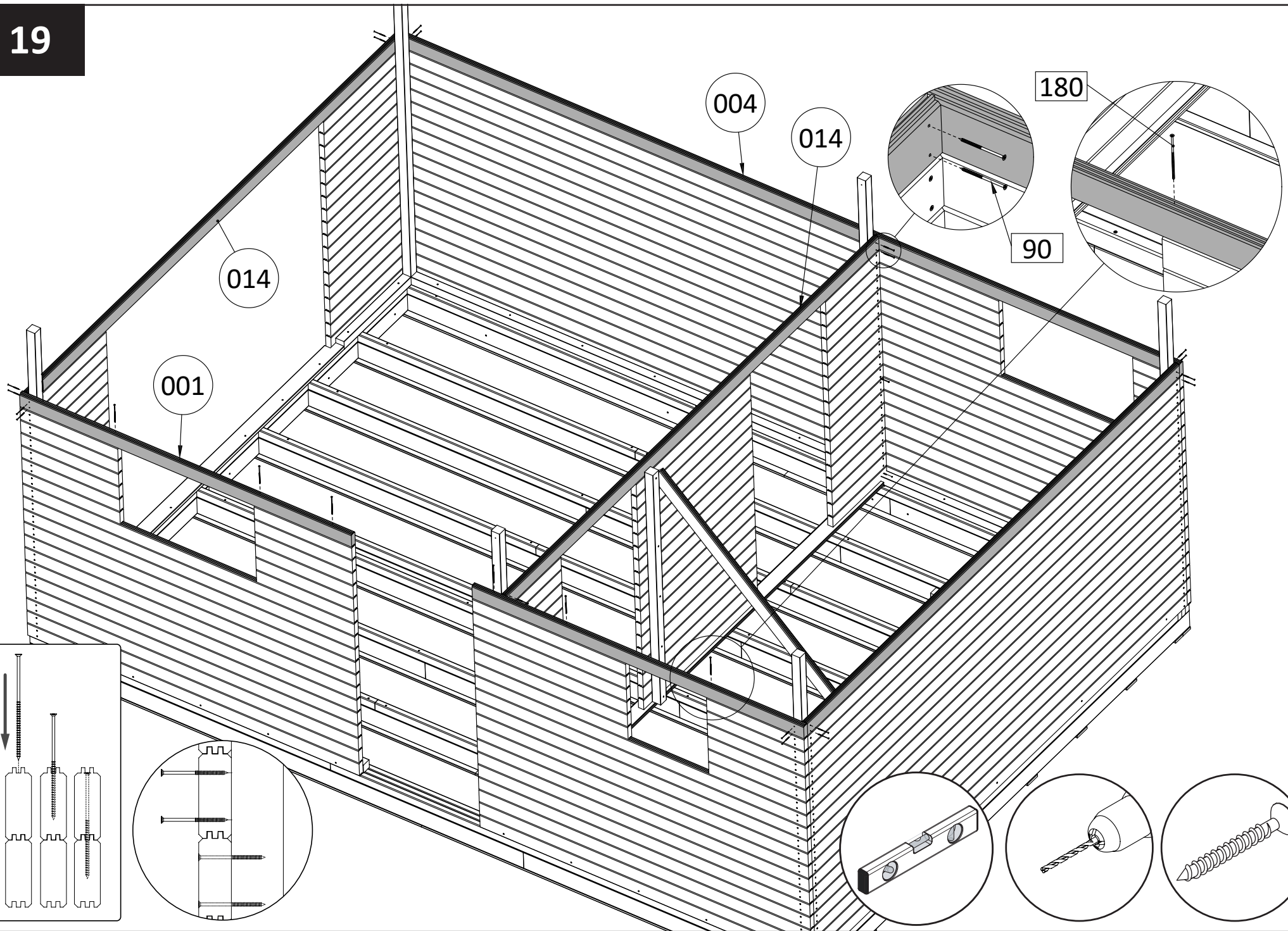


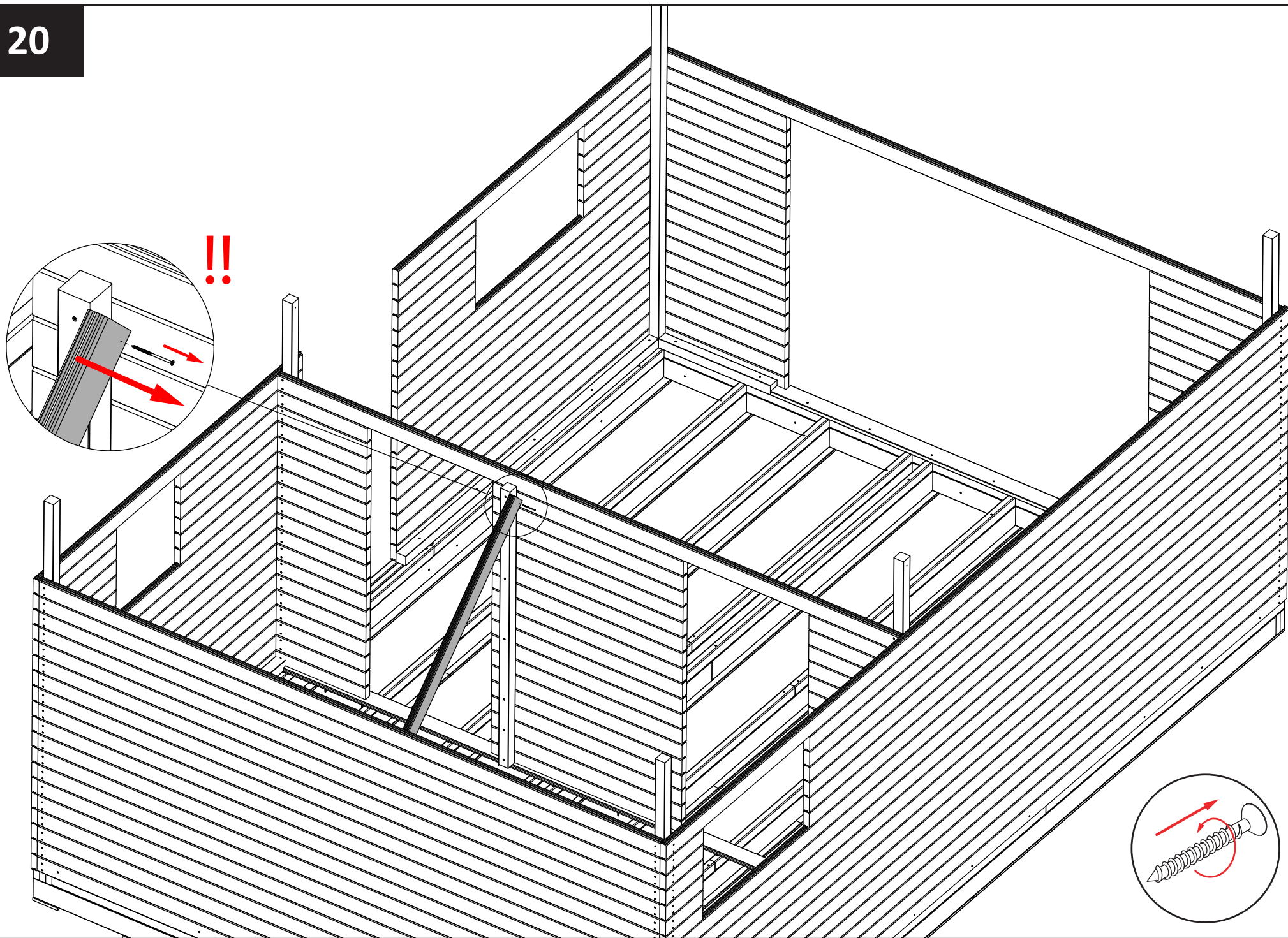
W2



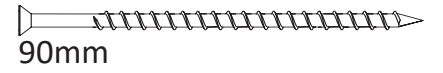
WC







21-A



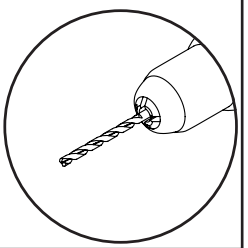
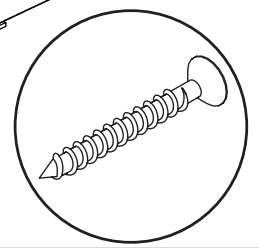
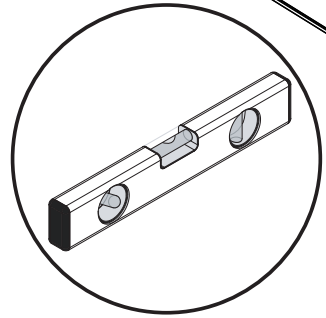
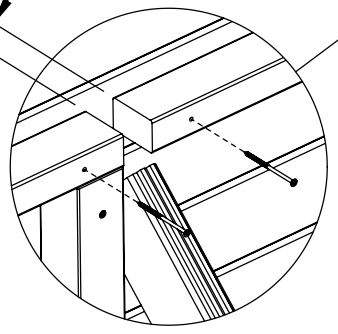
VT1-1662

VT1-2653

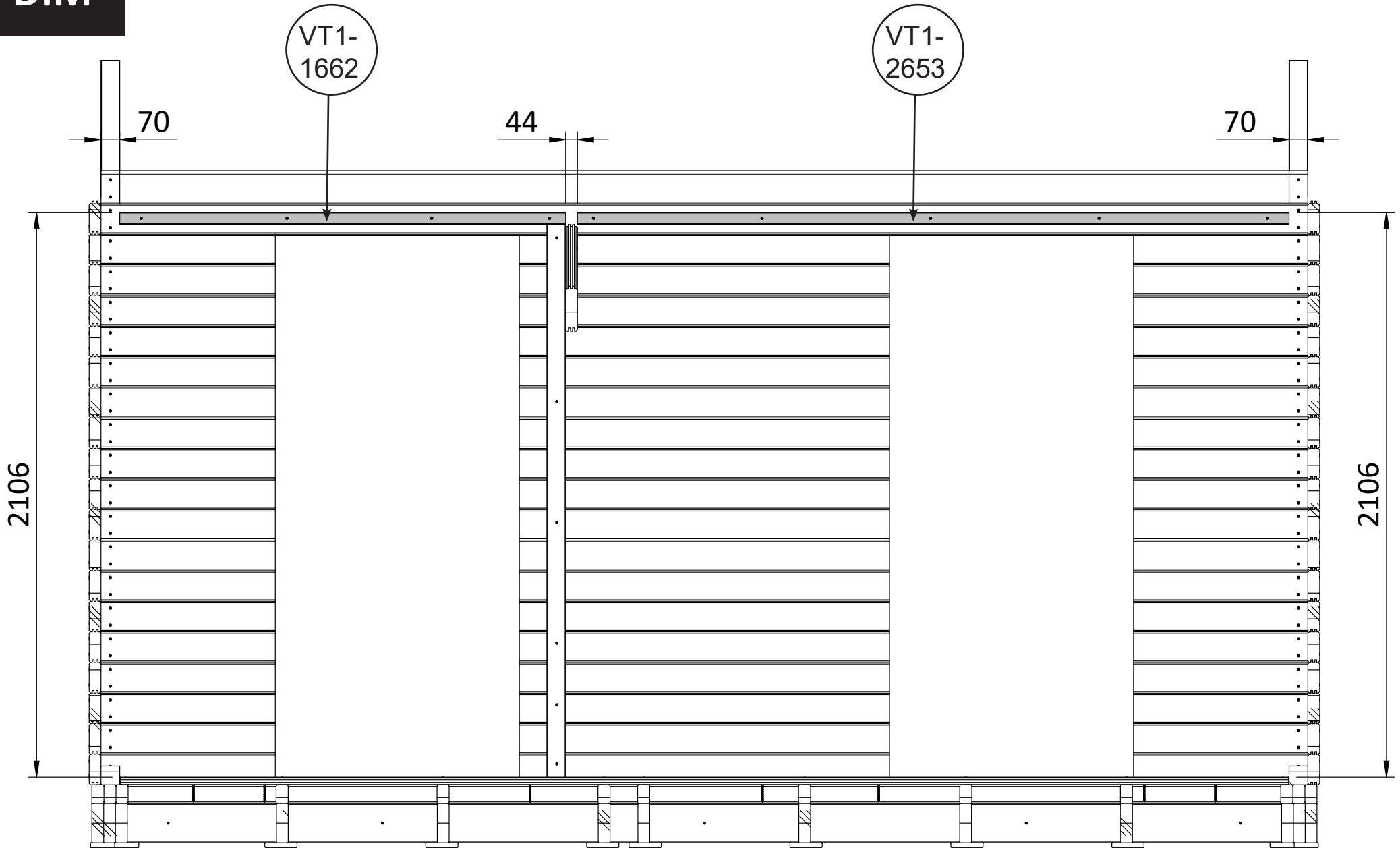
VT1-2653

VT1-1662

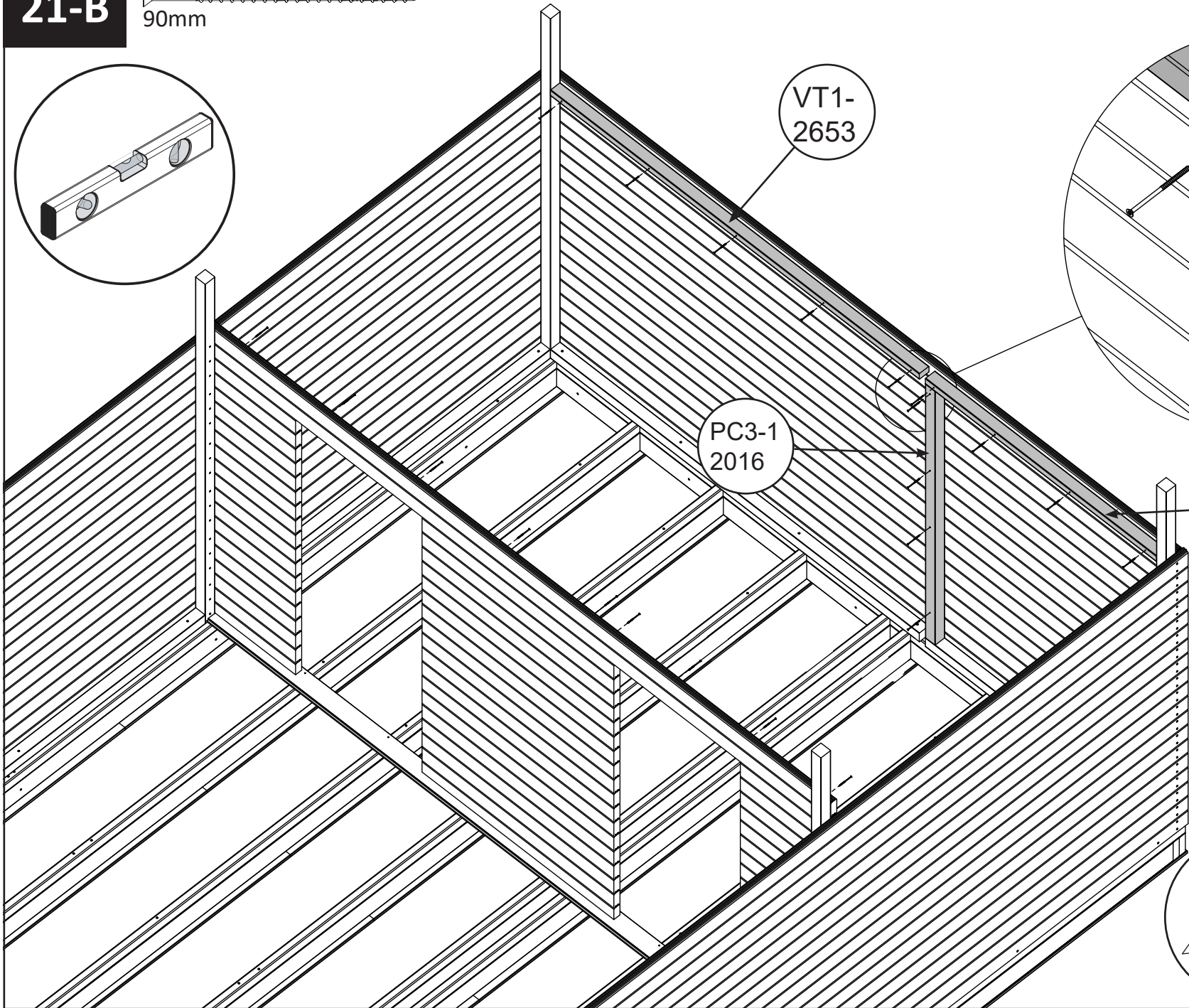
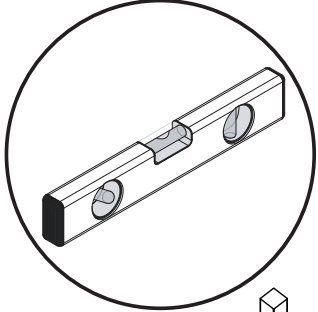
44



**21-A
DIM**



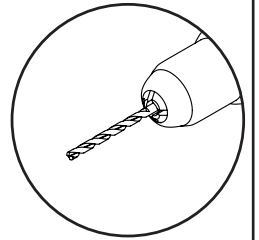
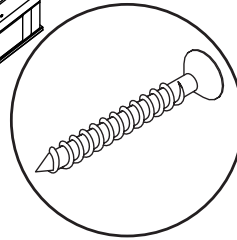
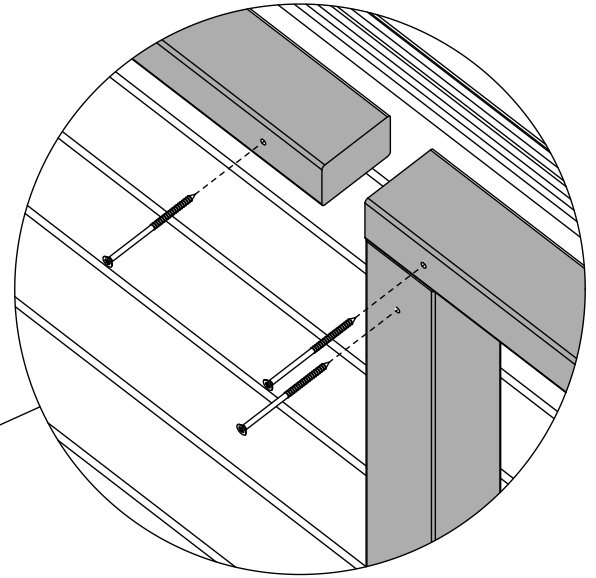
21-B



VT1-2653

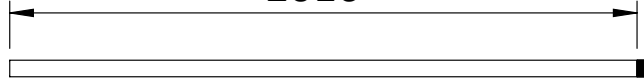
PC3-1
2016

VT1-1662



21-B DIM

USE ITEM	CUT	QTY	NEW IDENT
PC3-1	2016	x 1	PC3-1-2016



VT1-2653

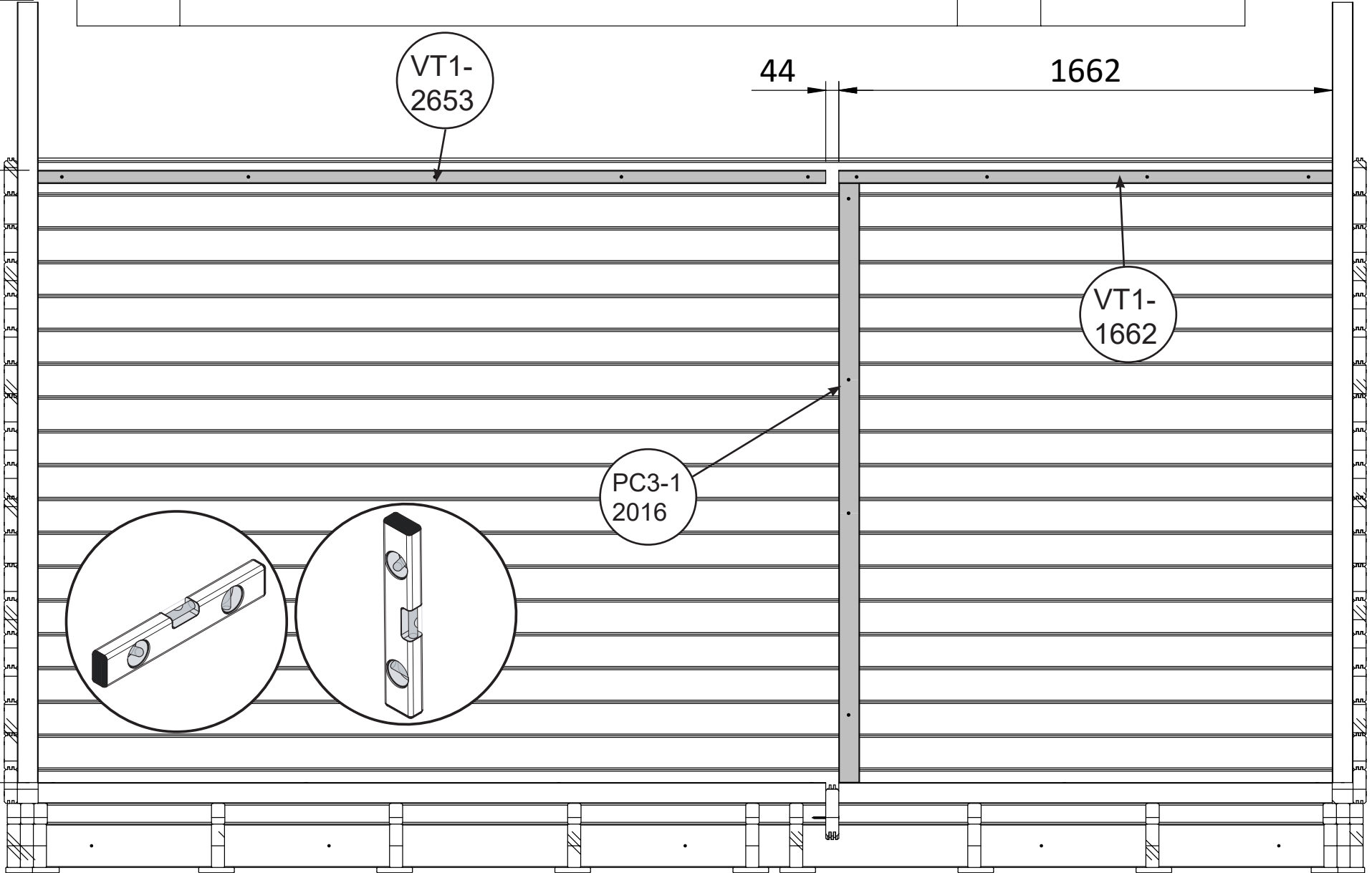
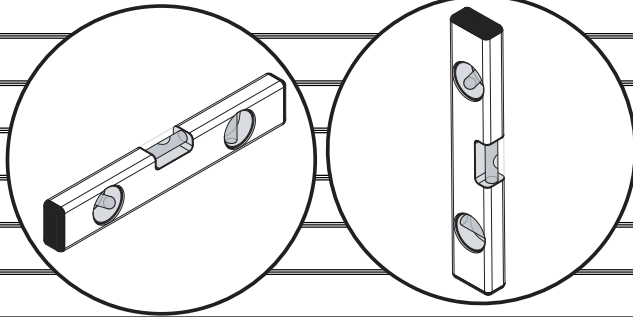
44

1662

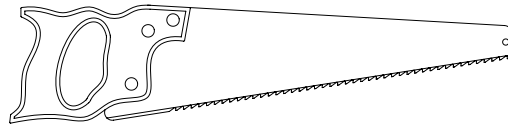
2064

VT1-1662

PC3-1
2016

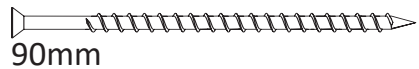
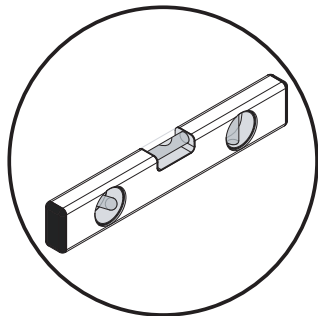
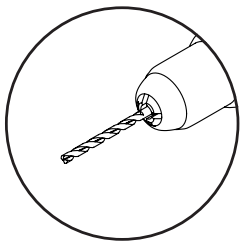
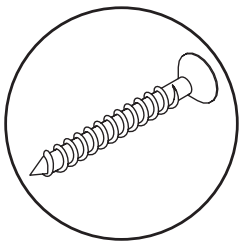


22 CUT

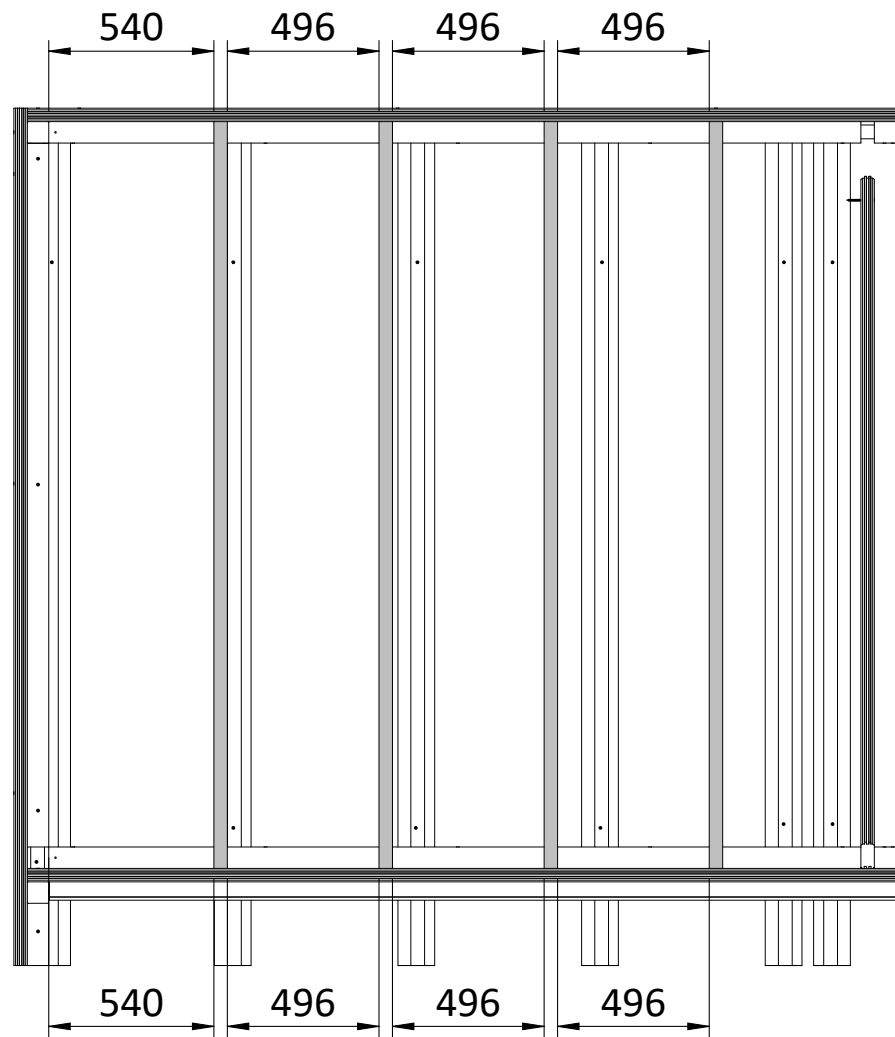
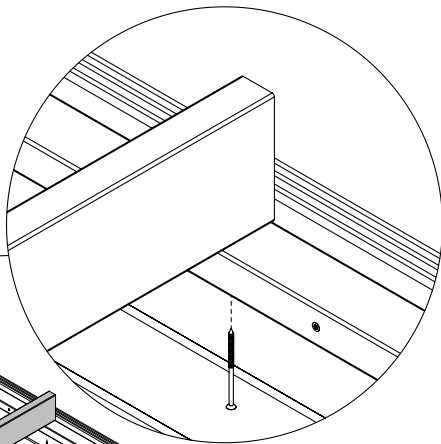
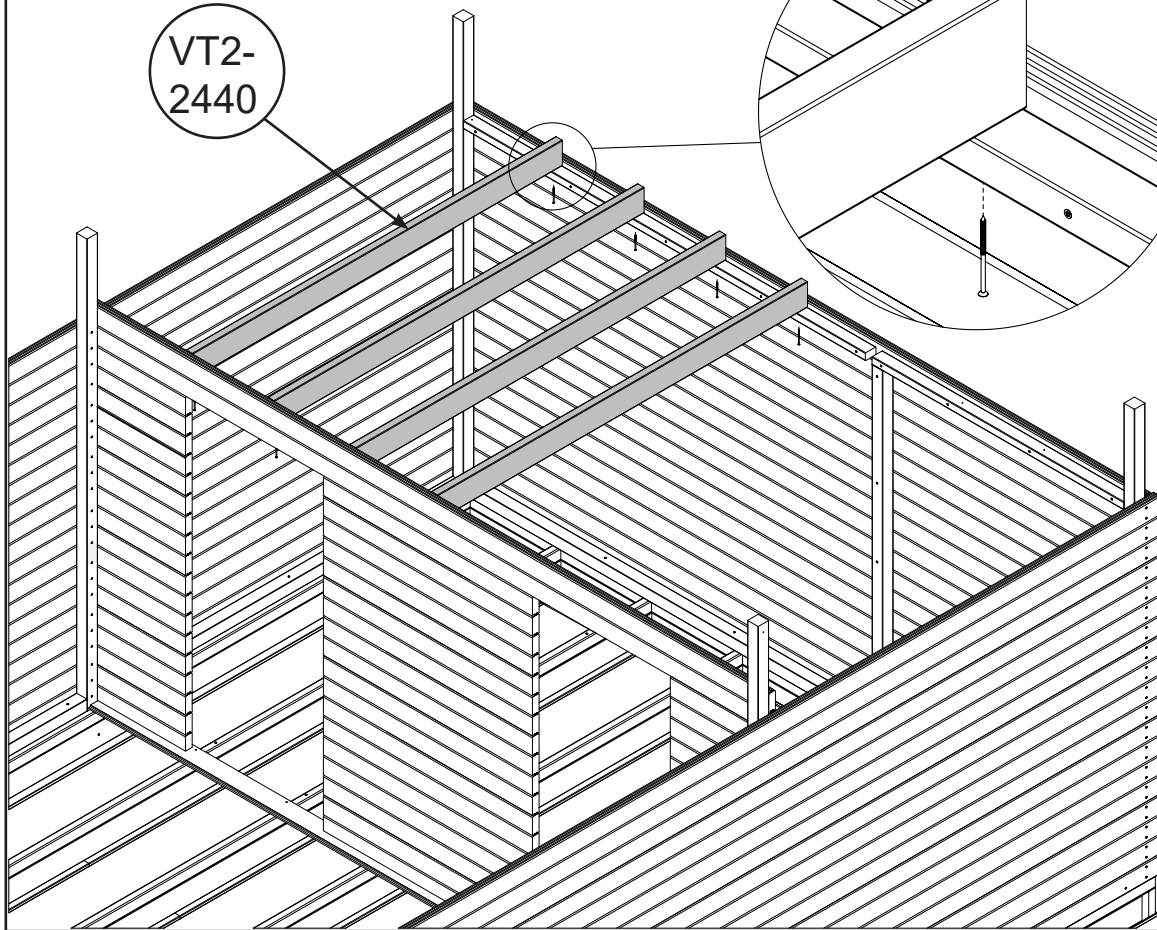


WALL	POSITION	USE ITEM	CUT	QTY	NEW IDENT
WC	1	VT2	<p>2440</p> <p>3039</p>	x 9	VT2-2440
	2	VT2	<p>1841</p> <p>3039</p>	x 9	VT2-1841

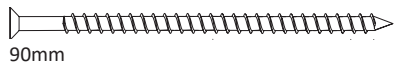
22



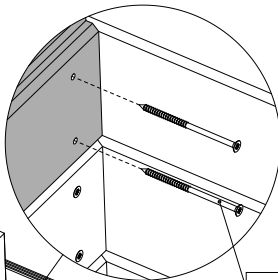
VT2-2440



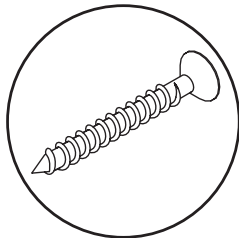
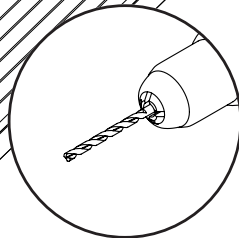
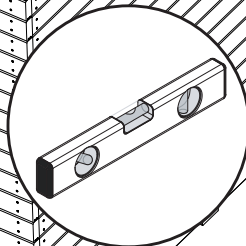
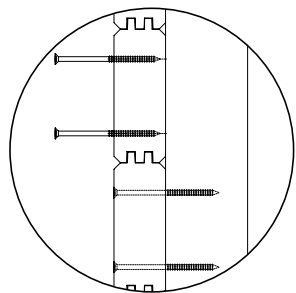
23

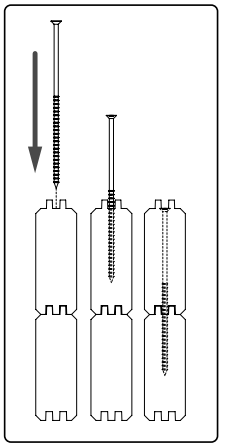
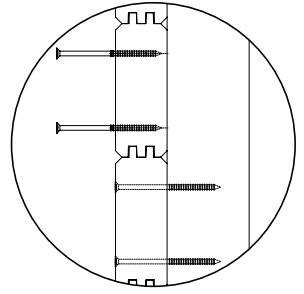
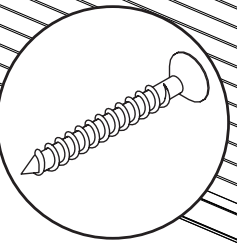
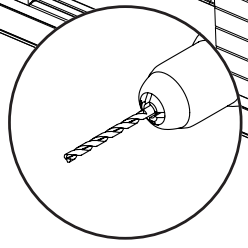
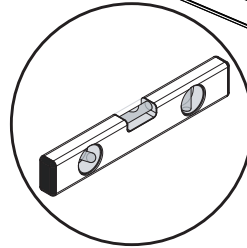
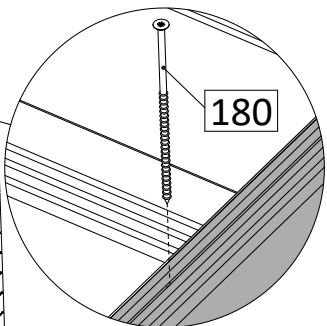
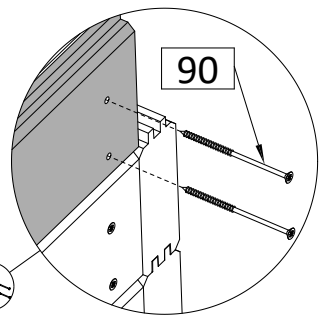
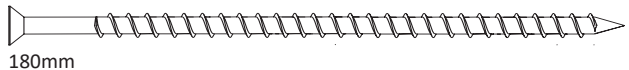
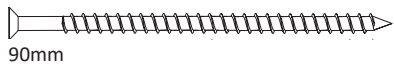
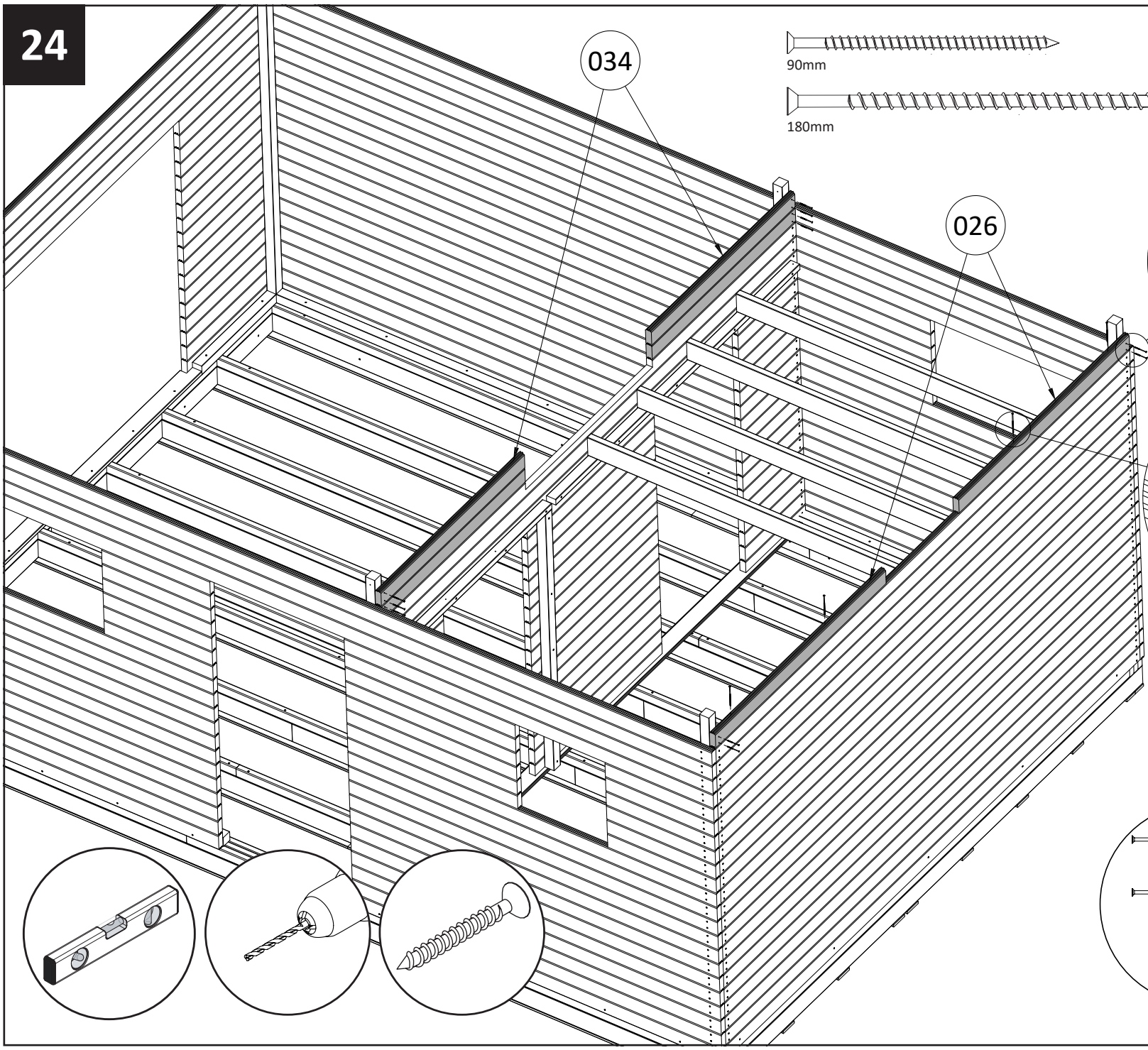


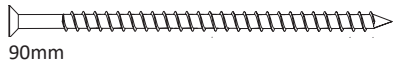
033



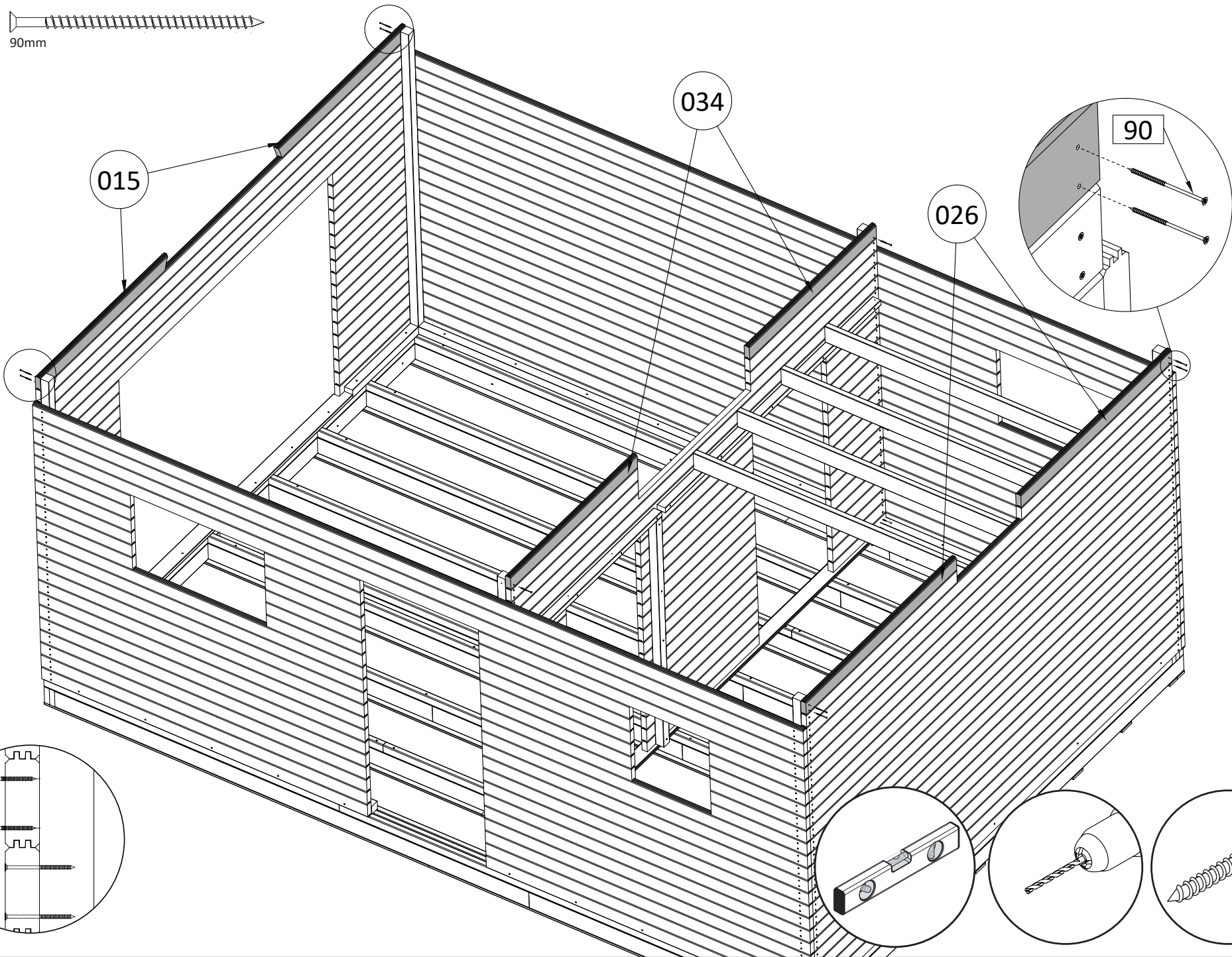
90







90mm

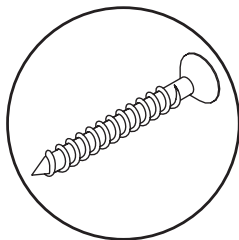
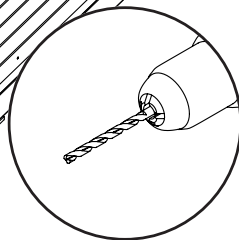
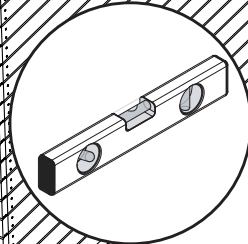
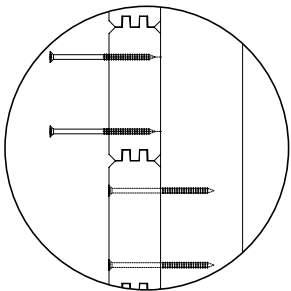


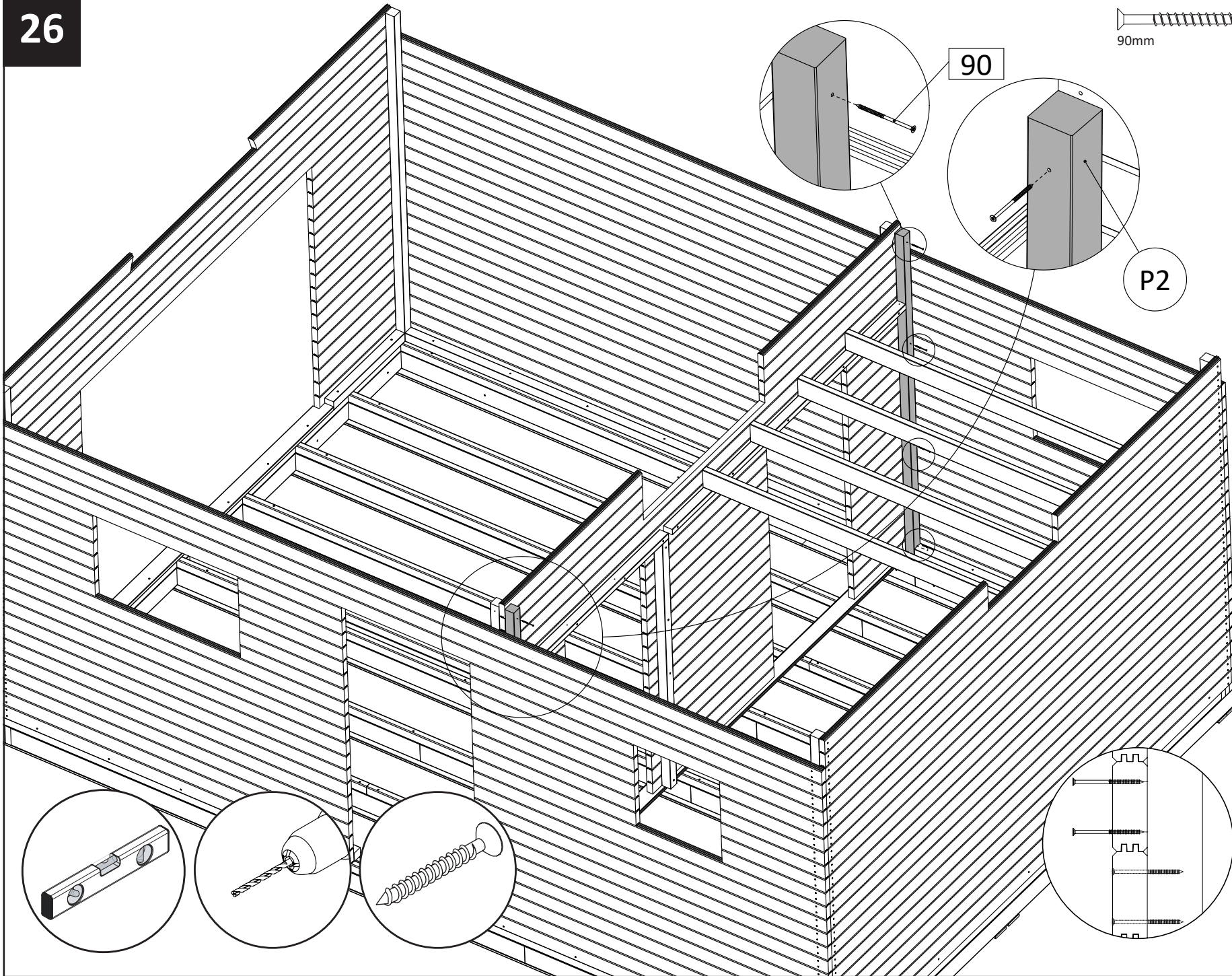
015

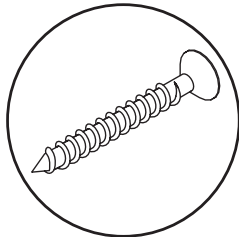
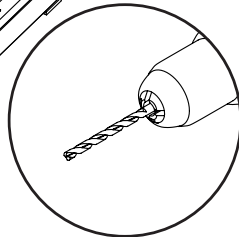
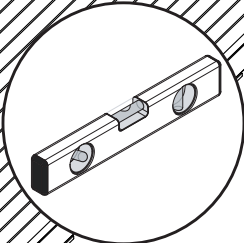
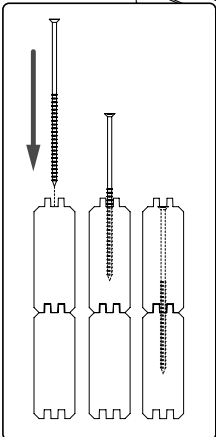
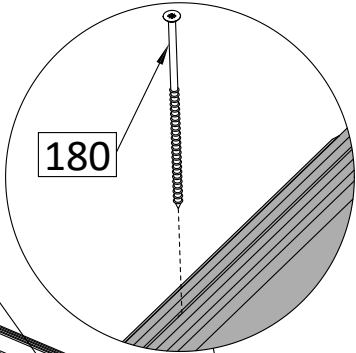
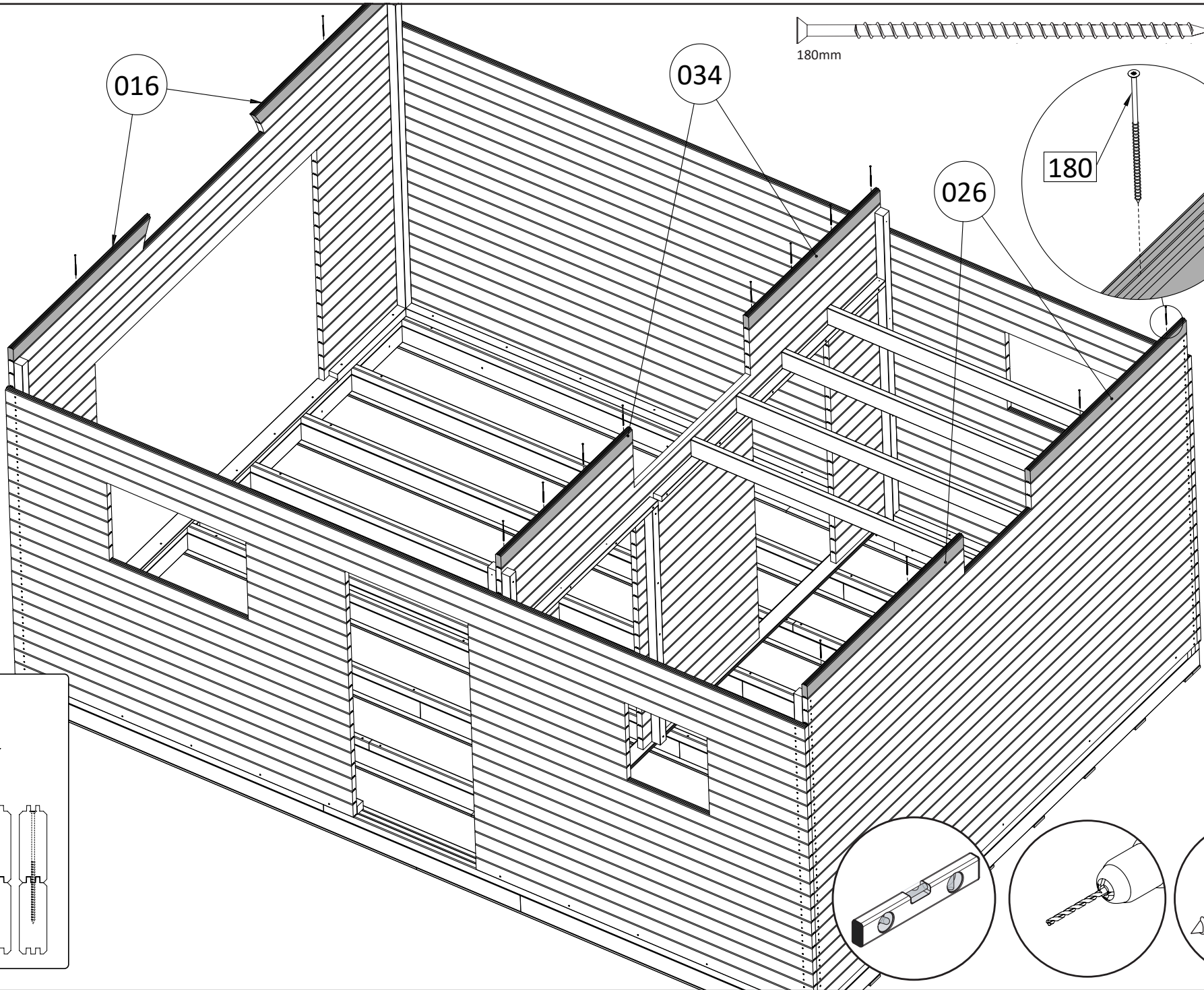
034

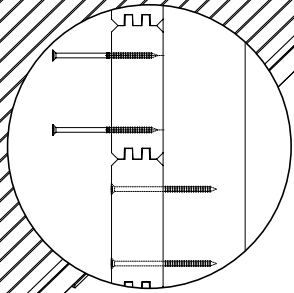
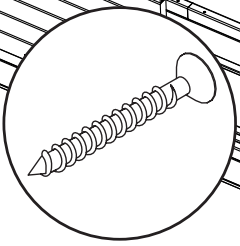
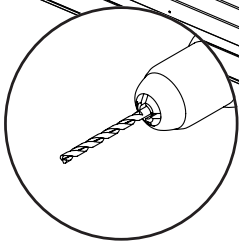
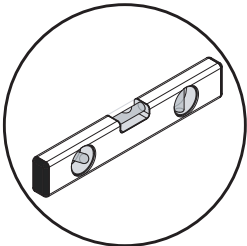
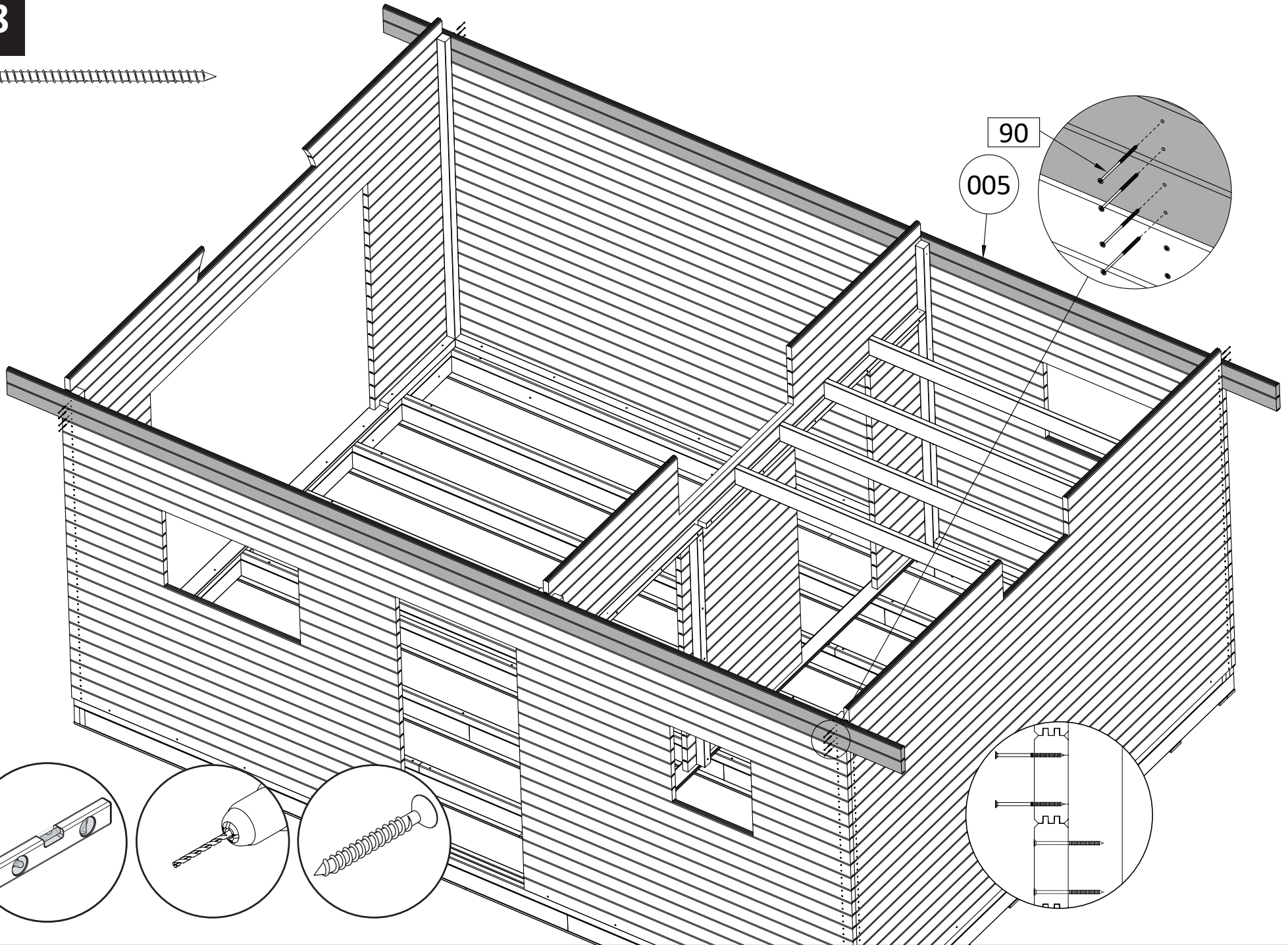
026

90

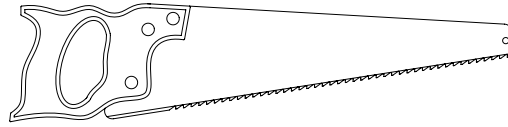






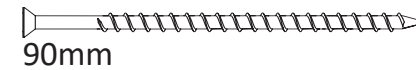
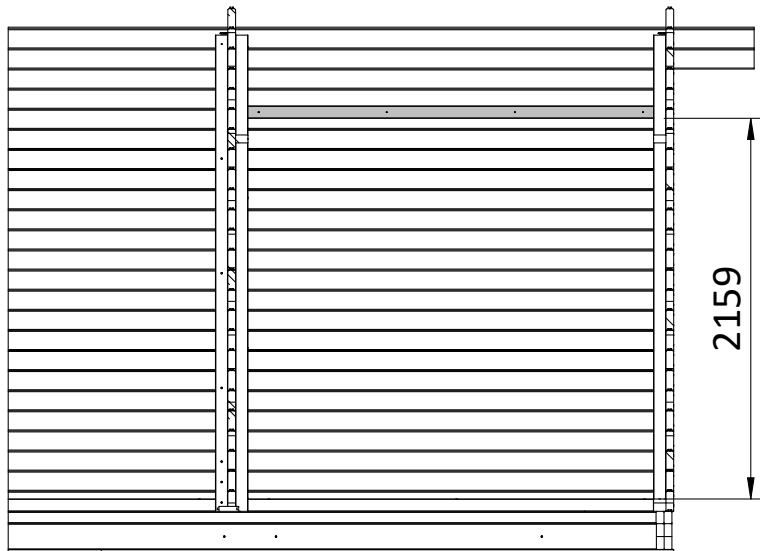


29 CUT

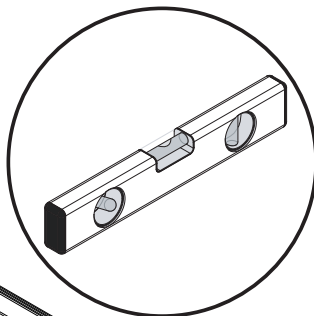
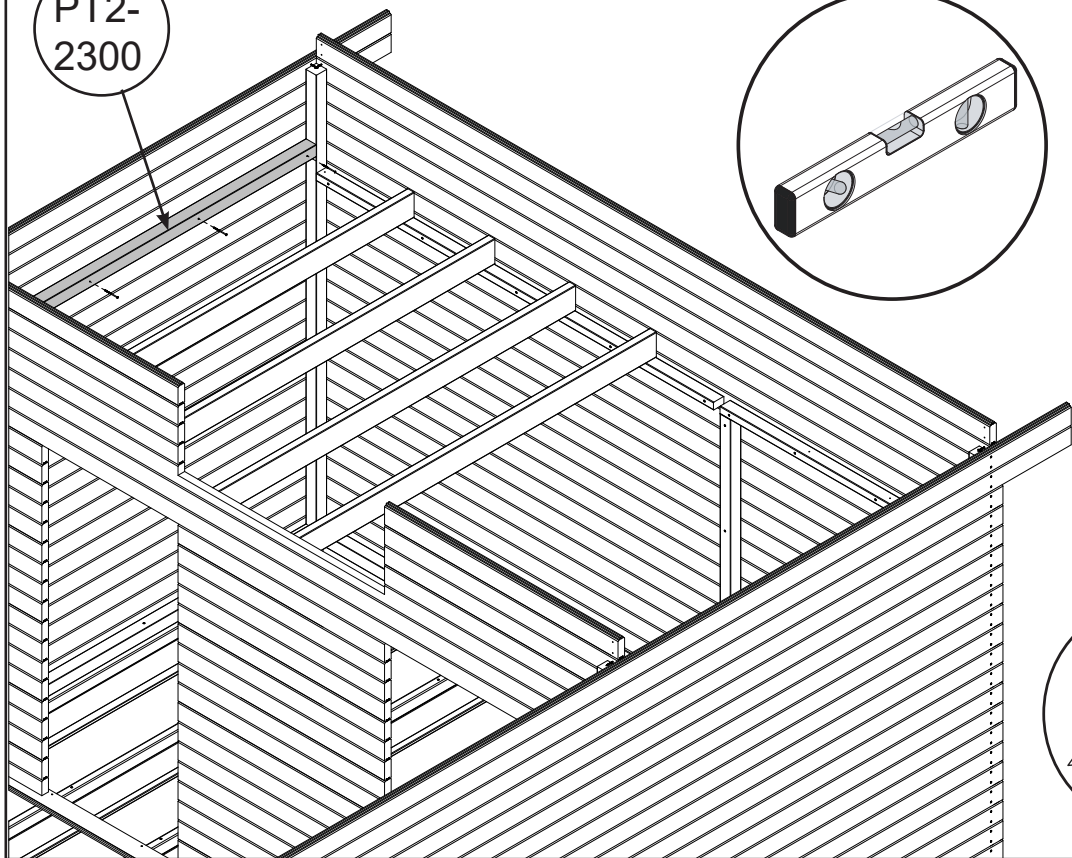


WALL	GROUNDPLAN	USE ITEM	CUT	QTY	NEW IDENT
WC	1	PT2		x 2	PT2-2300
	2	PT2		x 2	PT2-1700

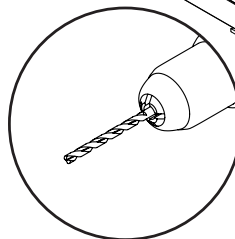
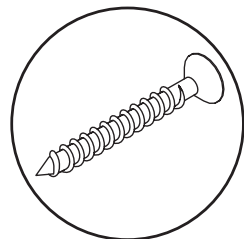
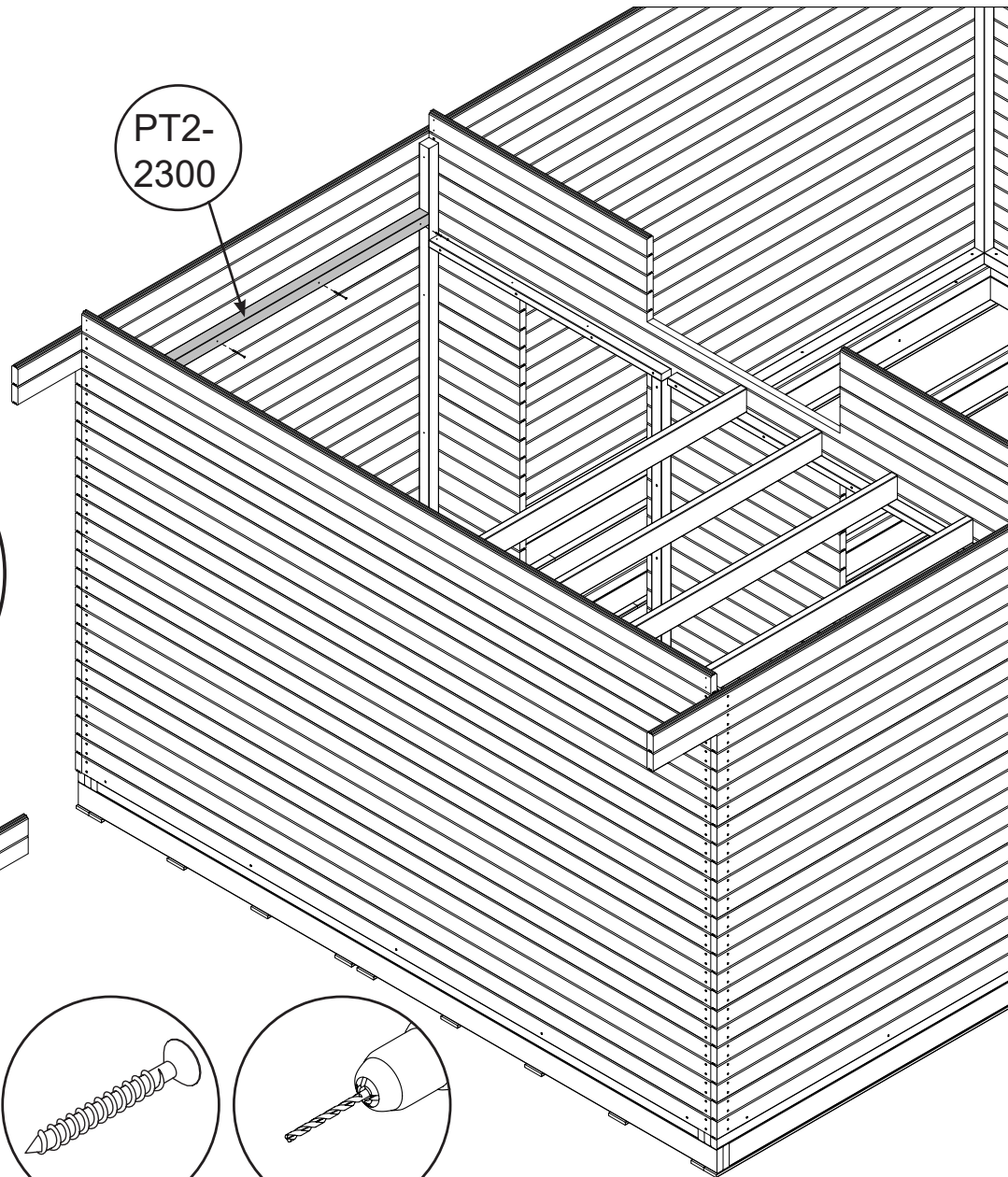
29



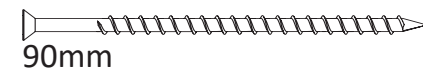
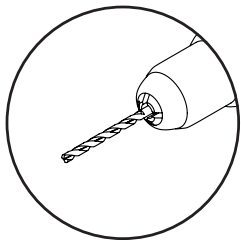
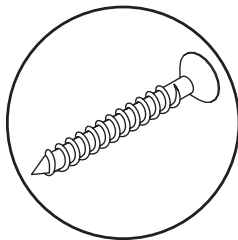
PT2-2300



PT2-2300

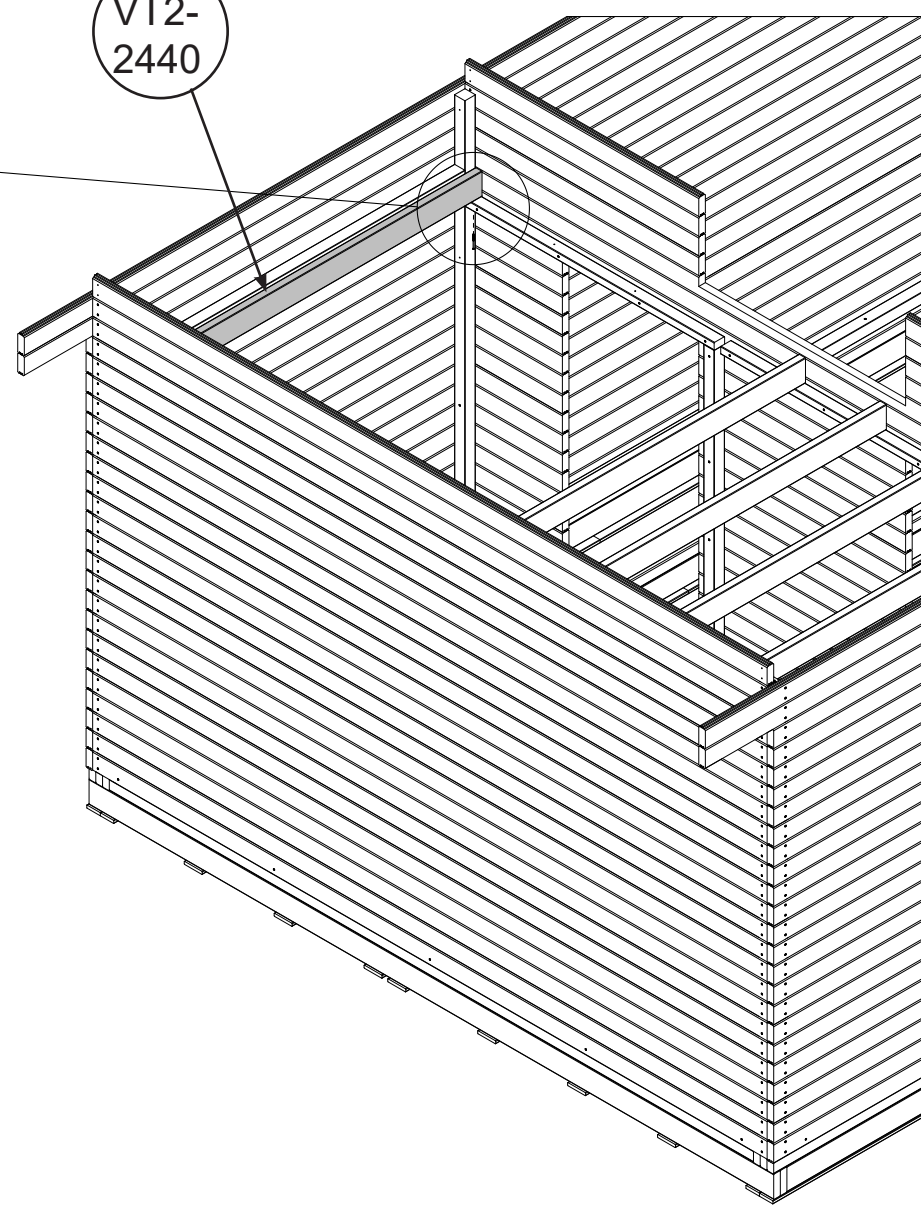
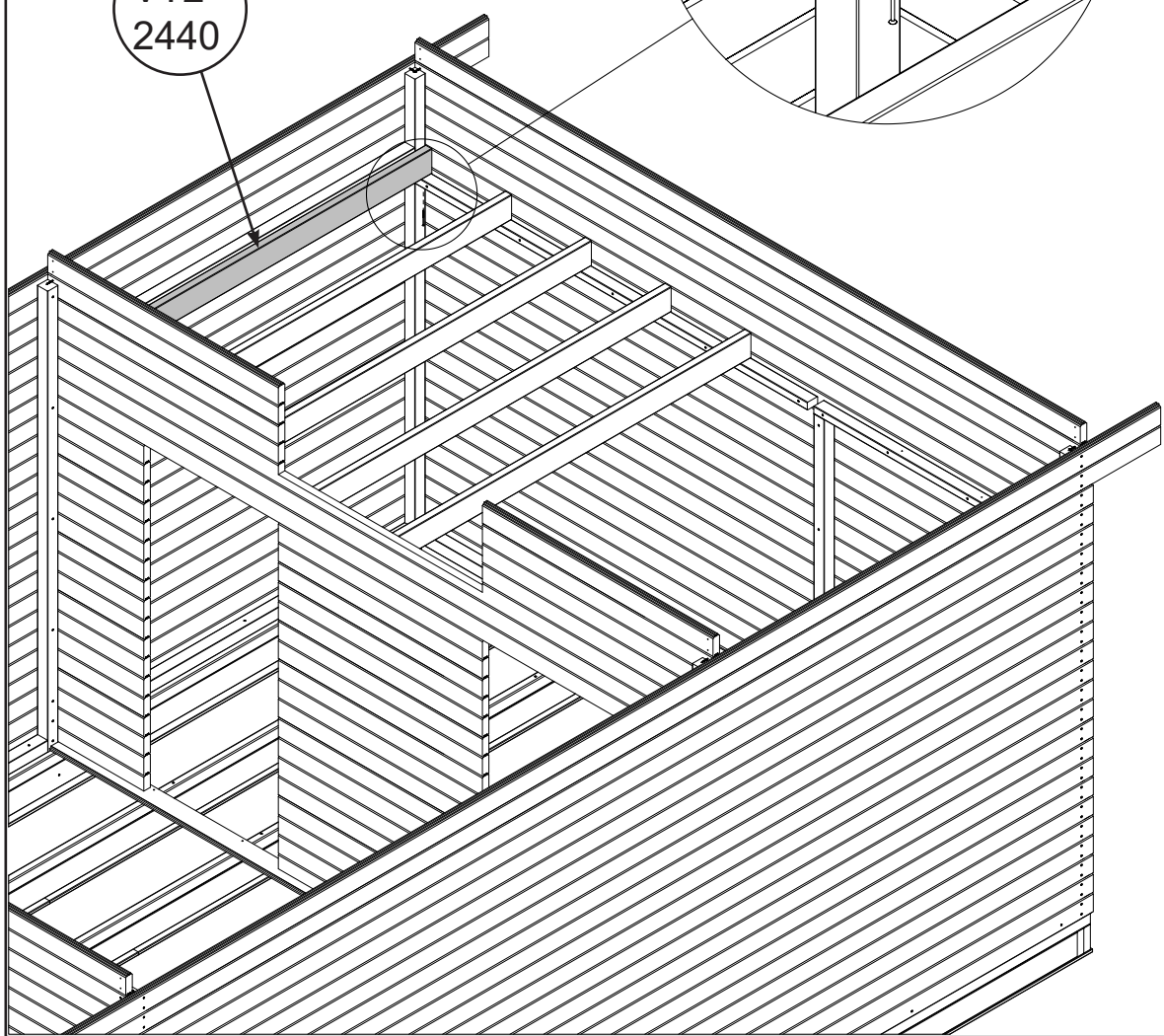


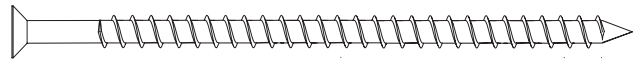
30



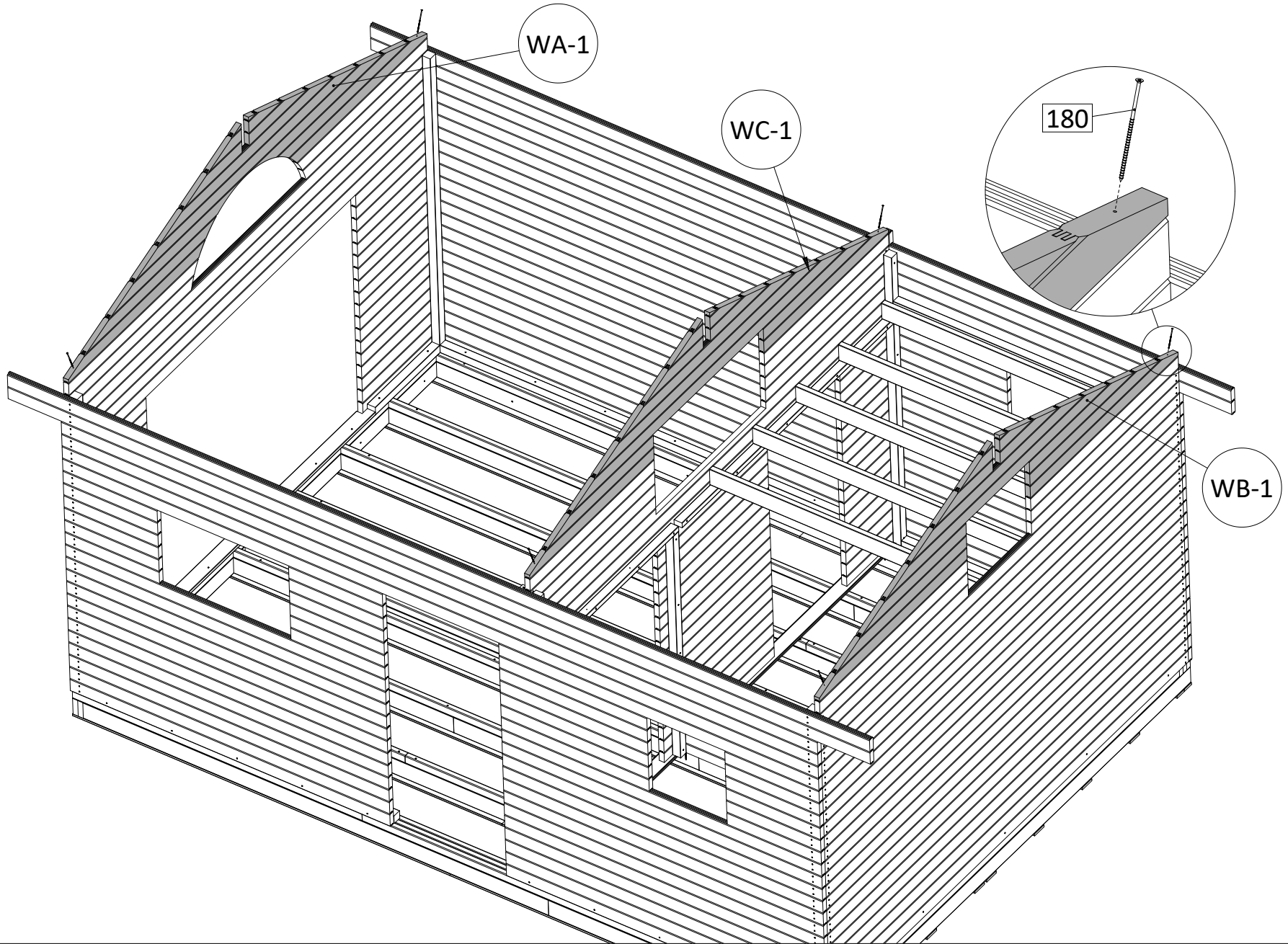
VT2-2440

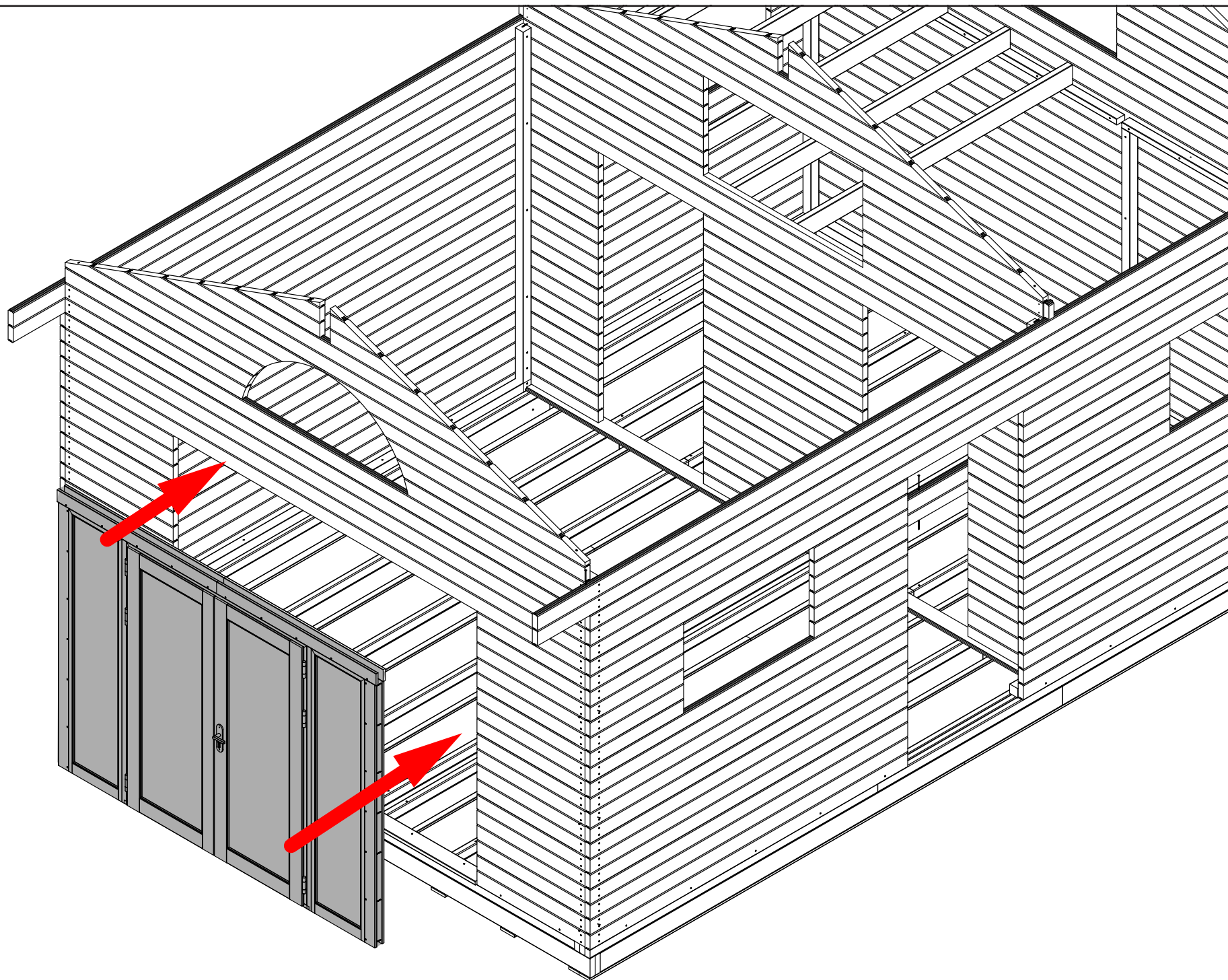
VT2-2440

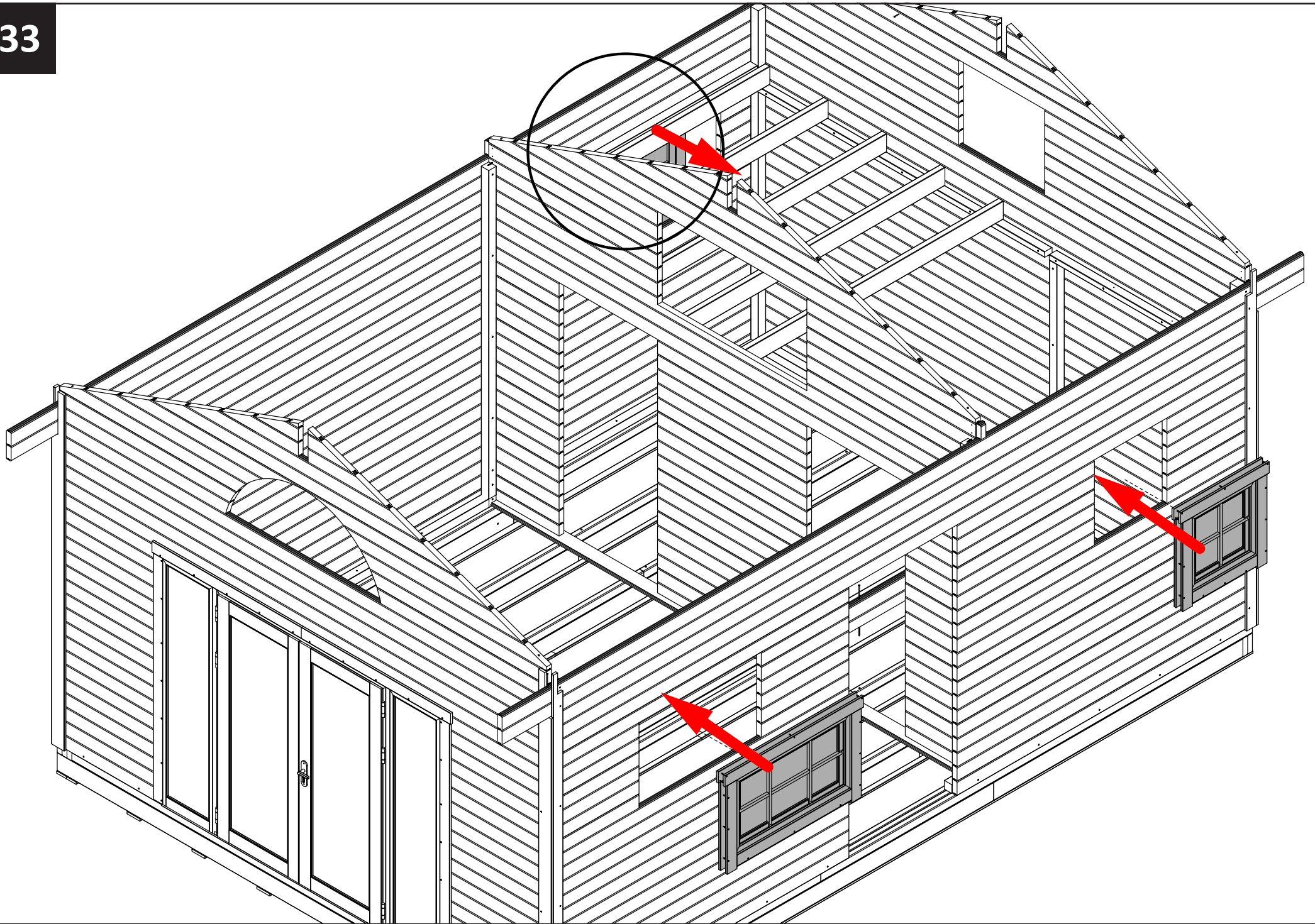


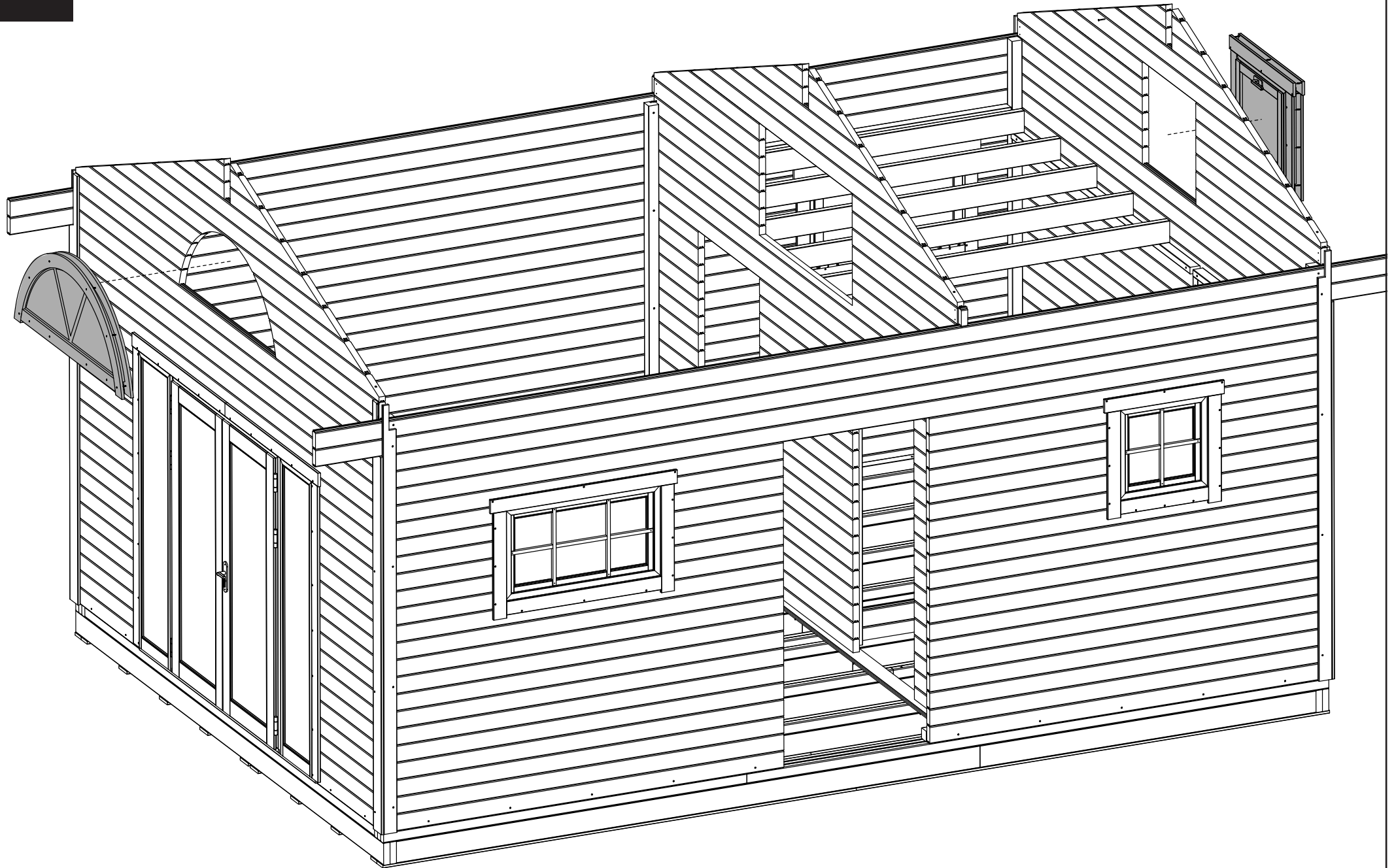


180mm

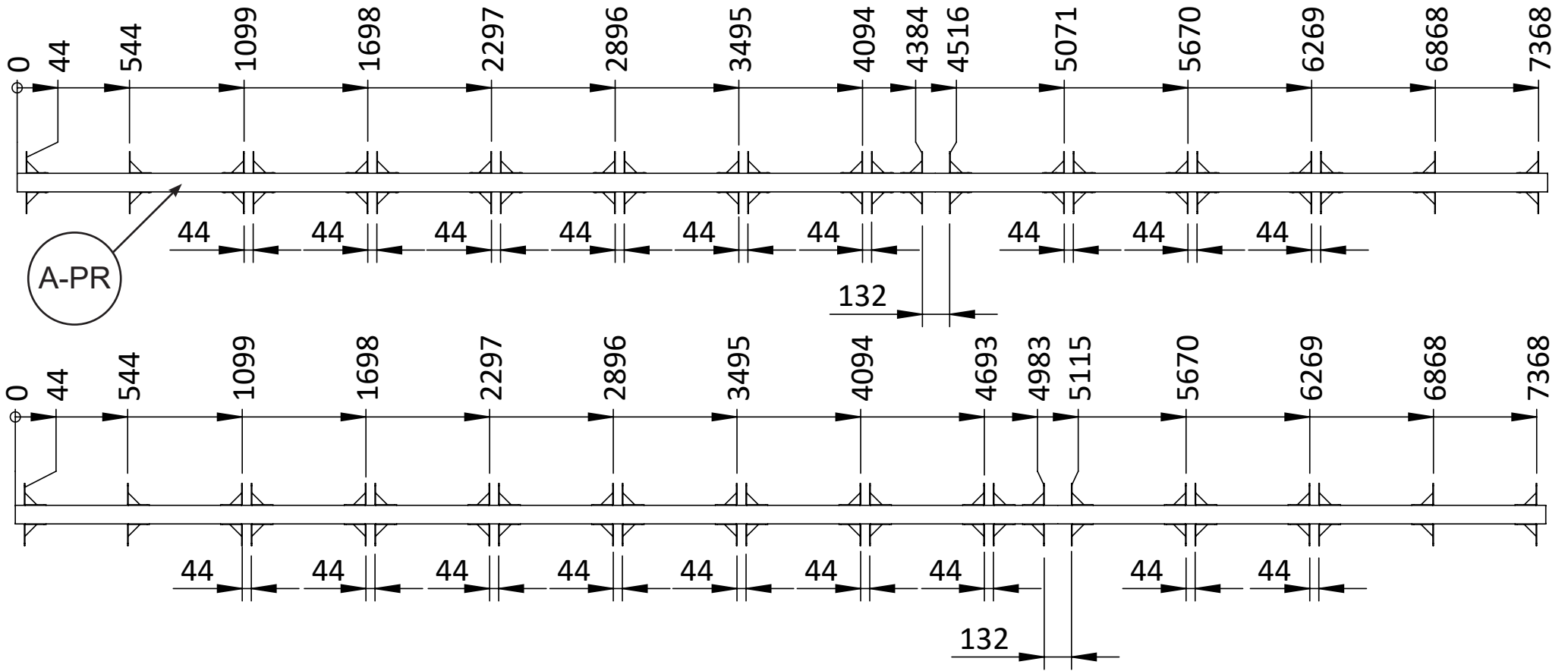






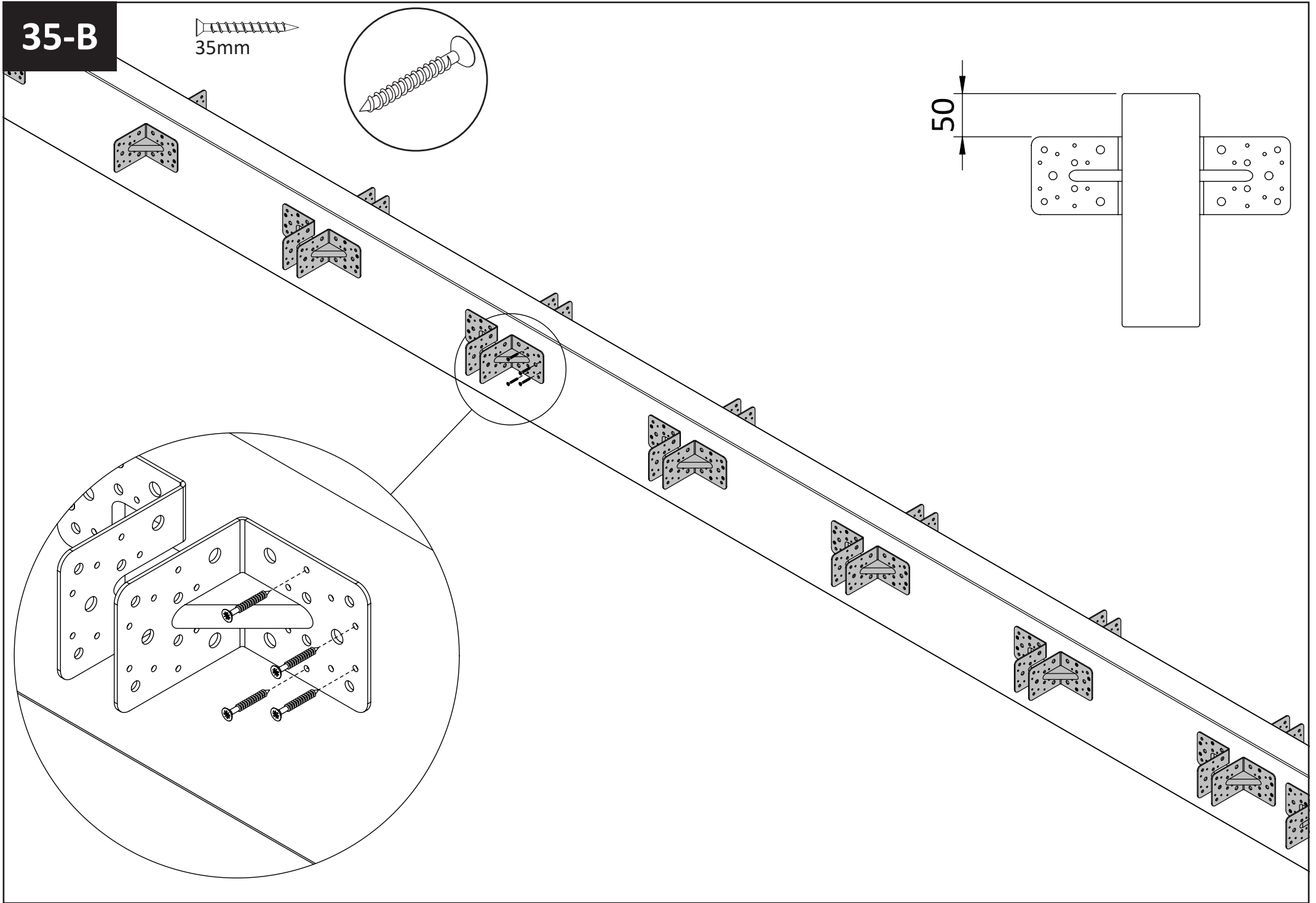
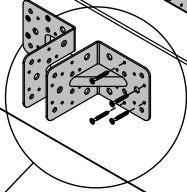
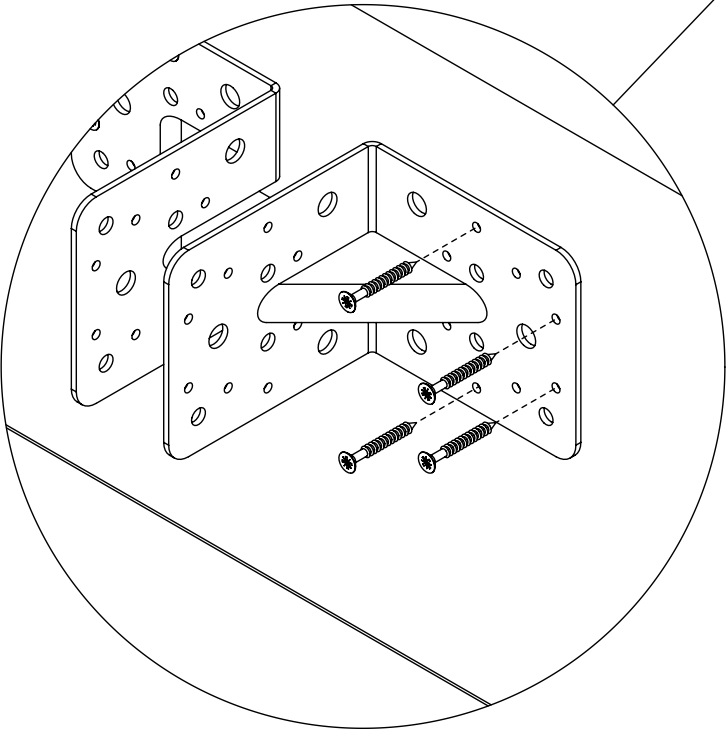
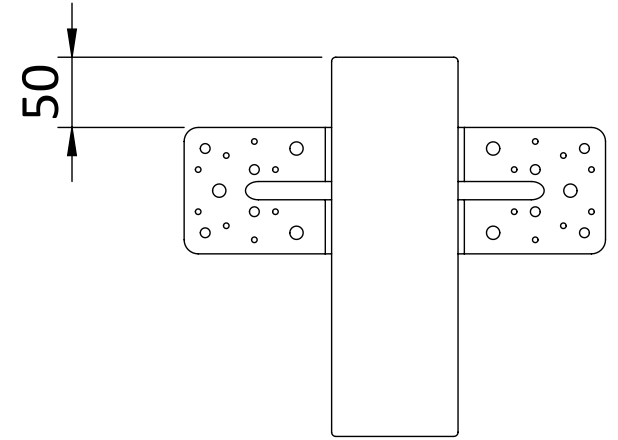
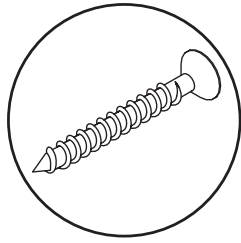


35-DIM

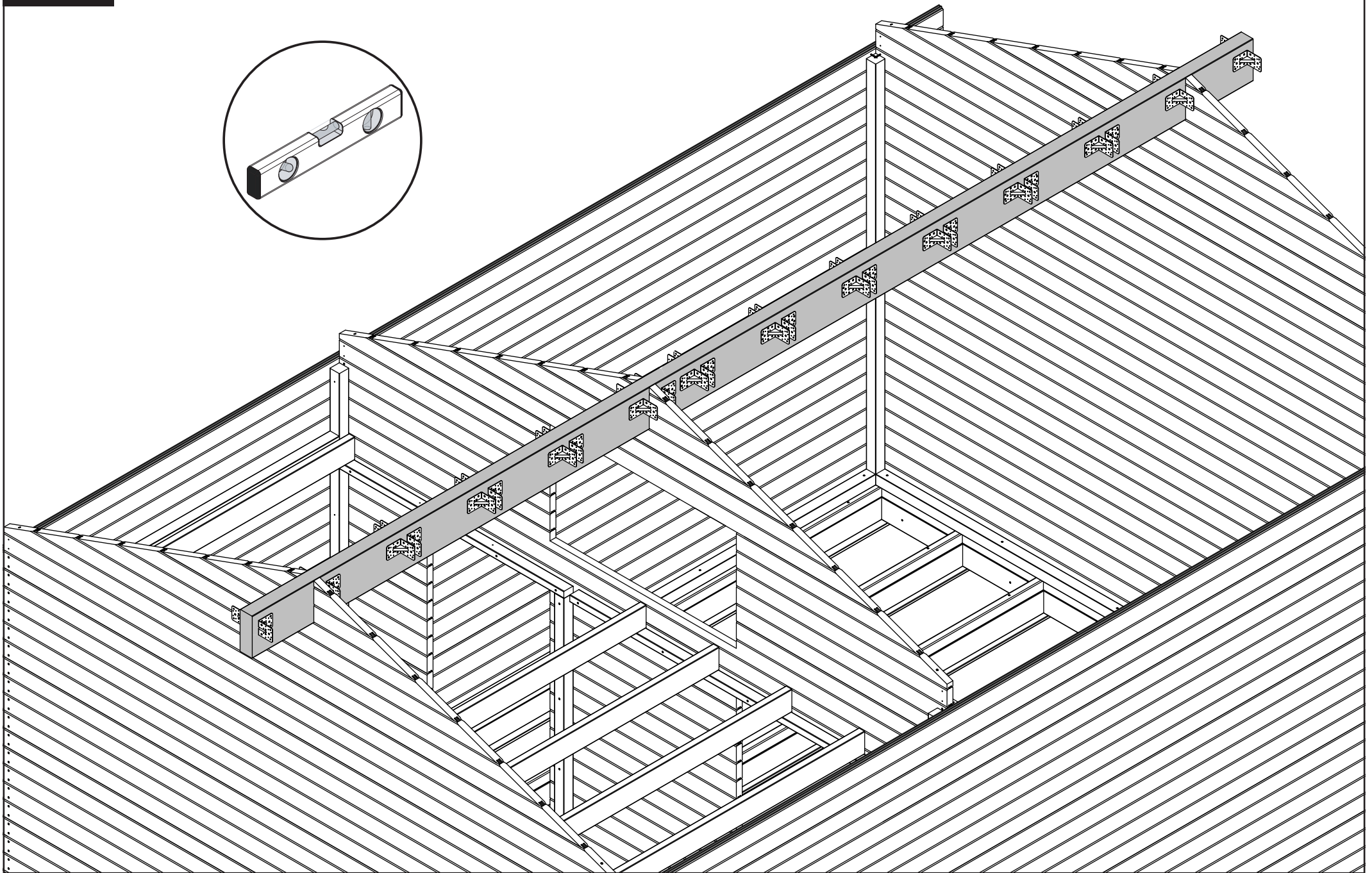
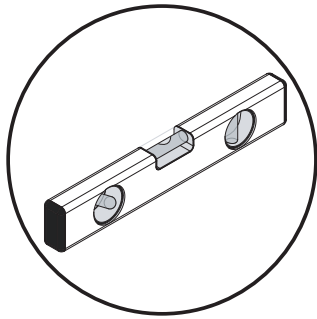


35-B

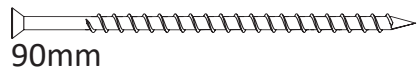
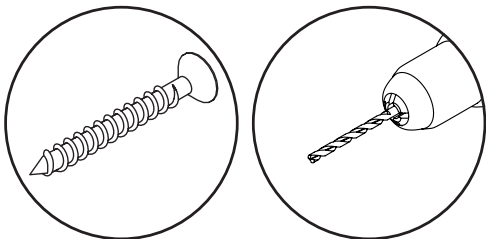
35mm



35-B

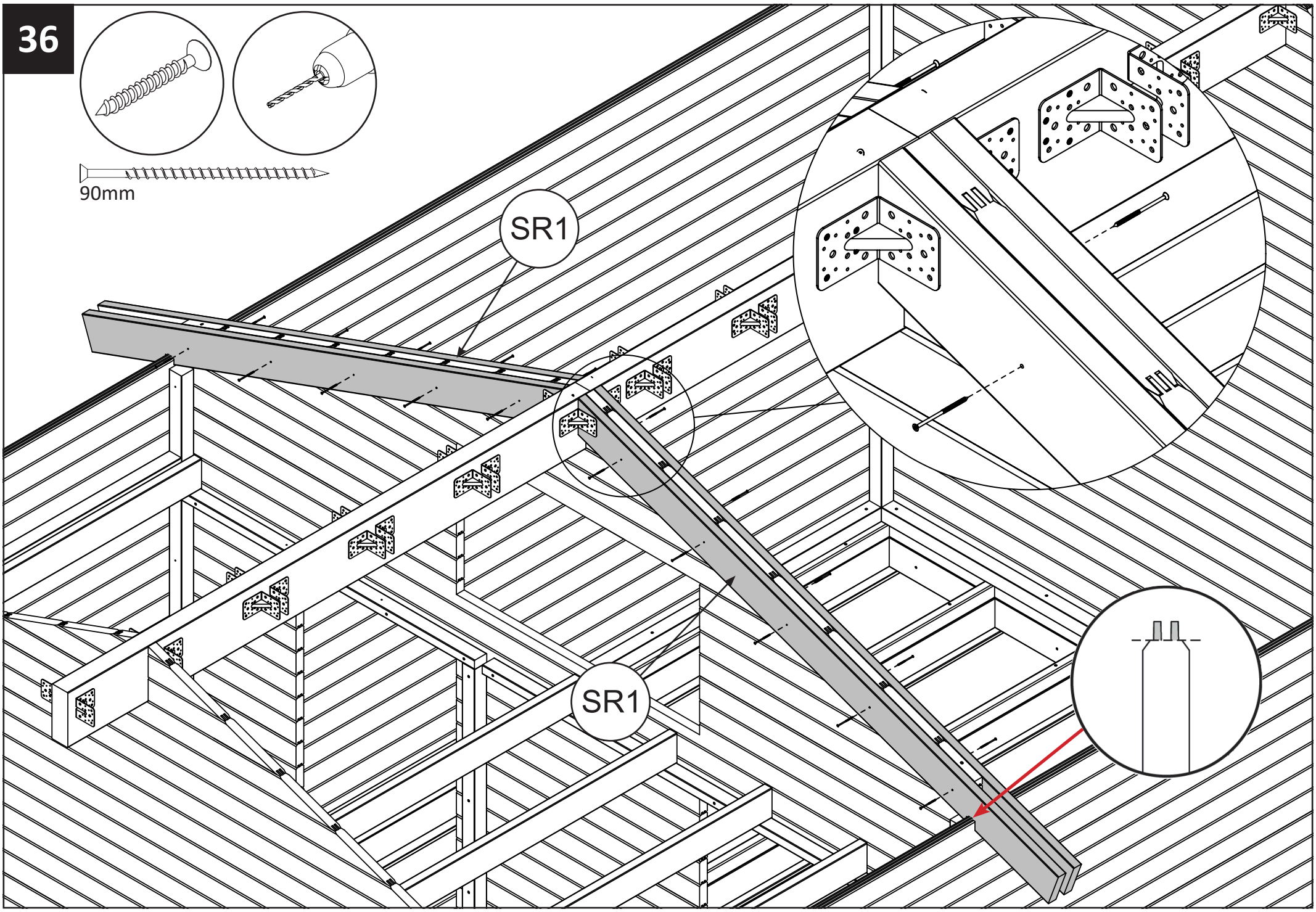
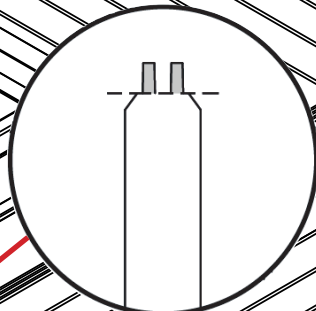
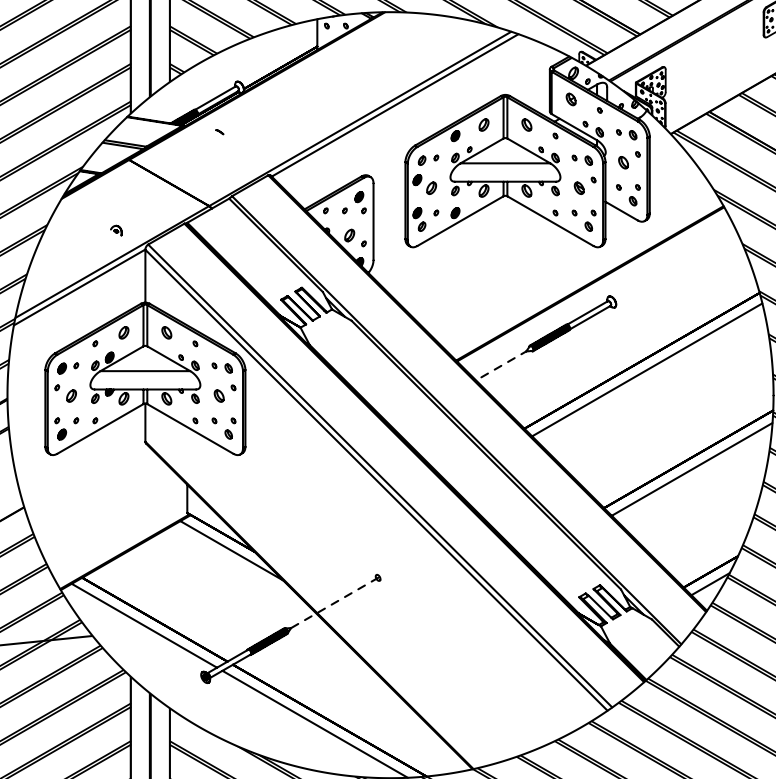


36

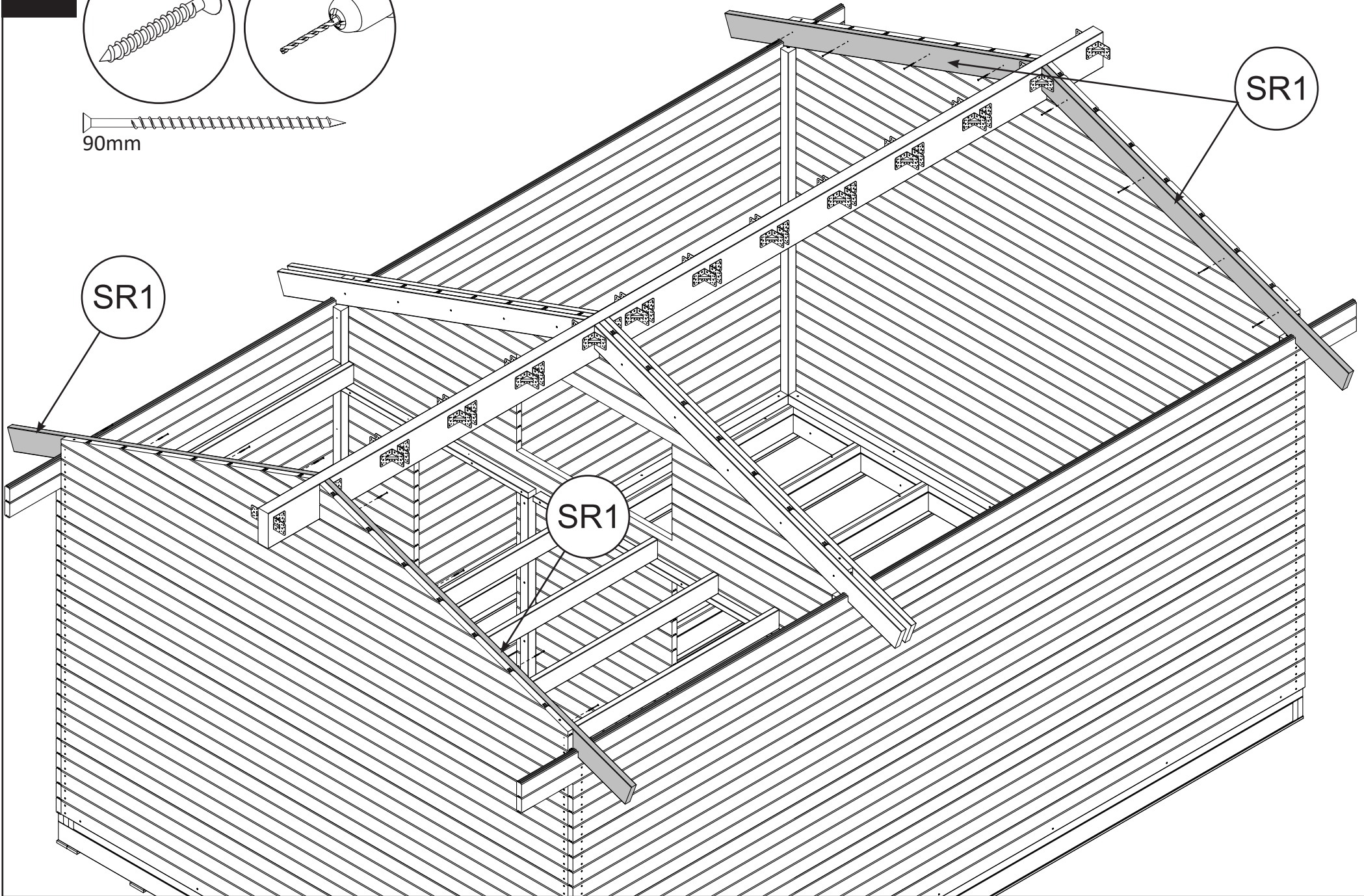
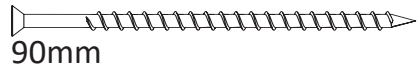
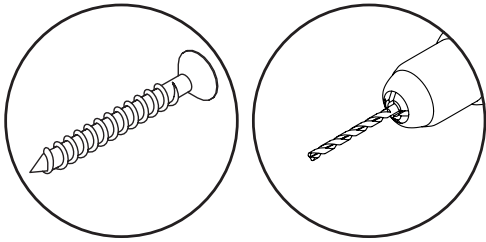


SR1

SR1

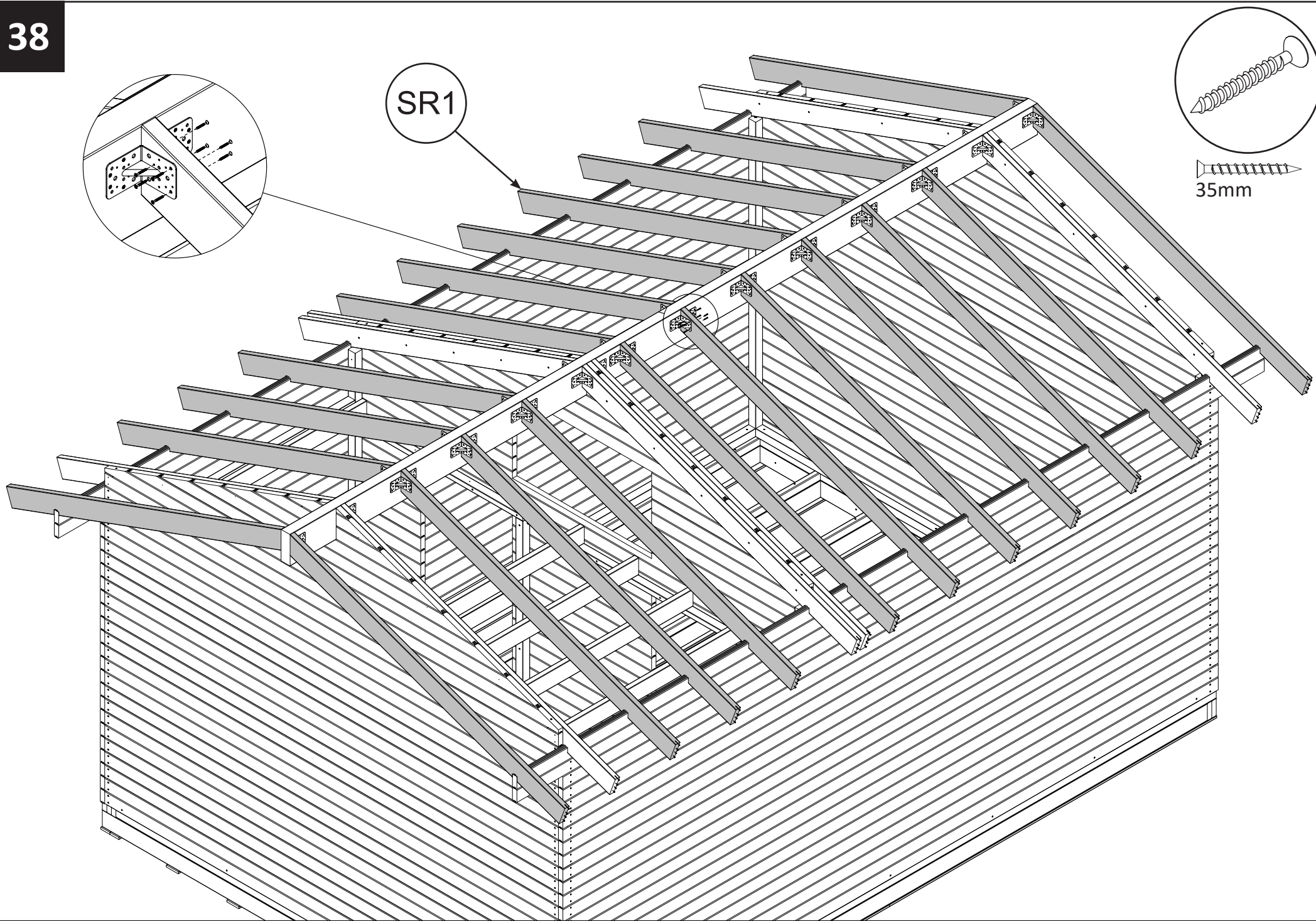


37

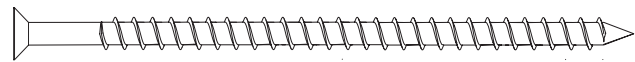


SR1

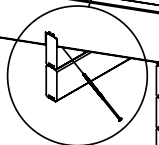
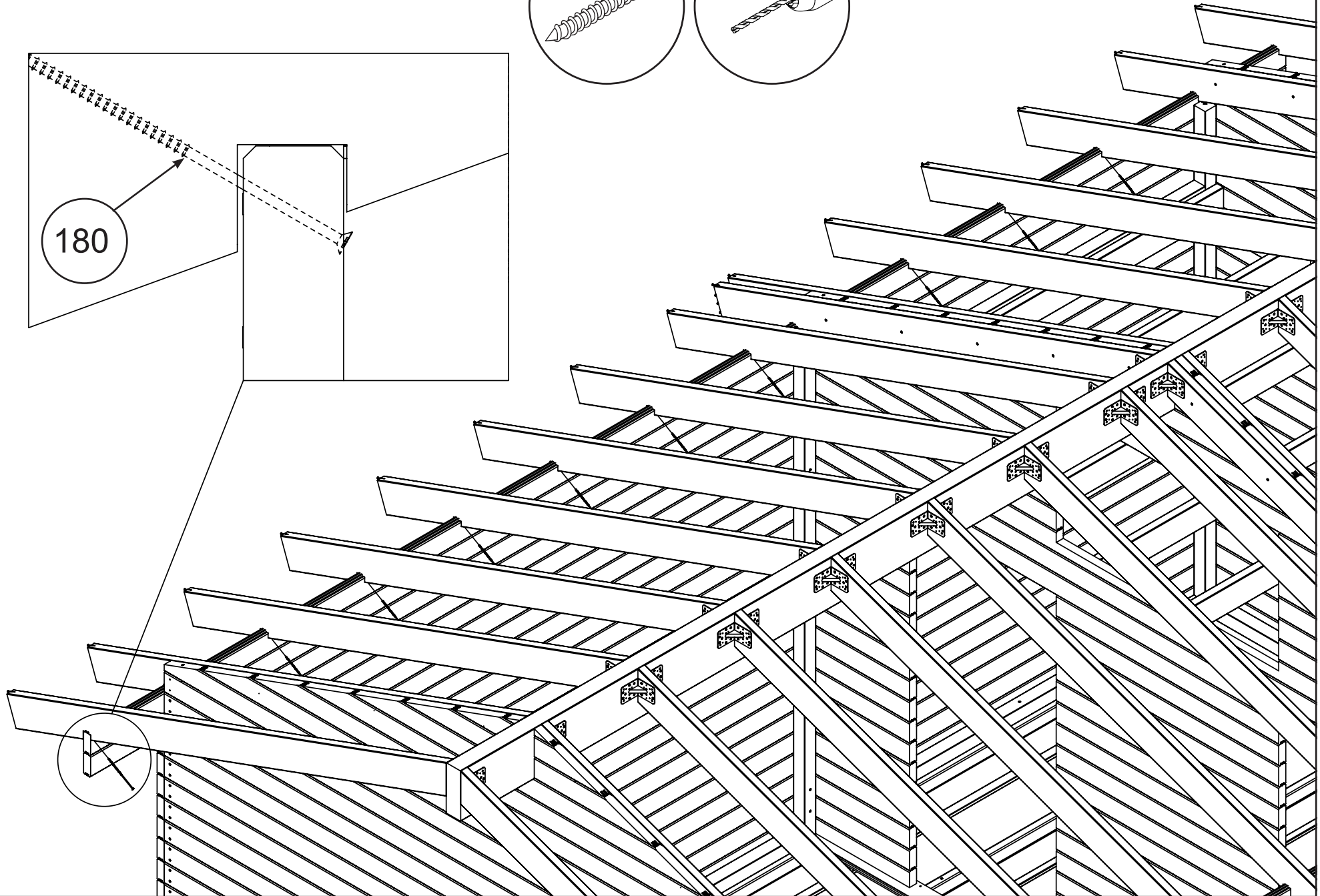
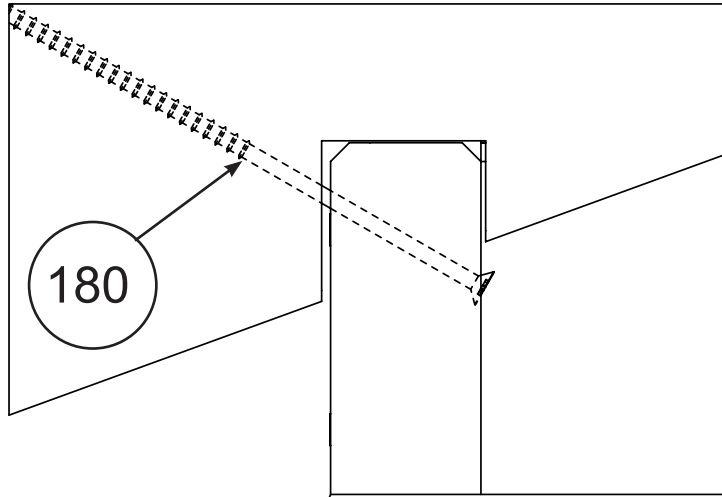
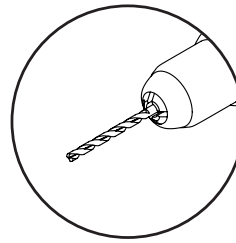
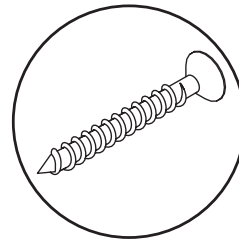
35mm



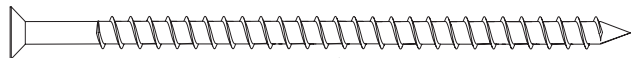
39



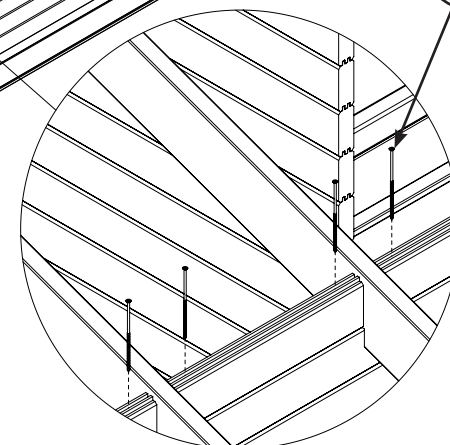
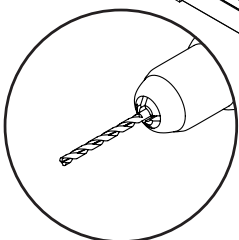
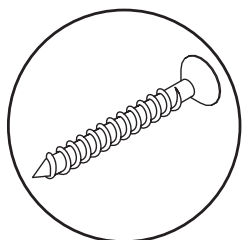
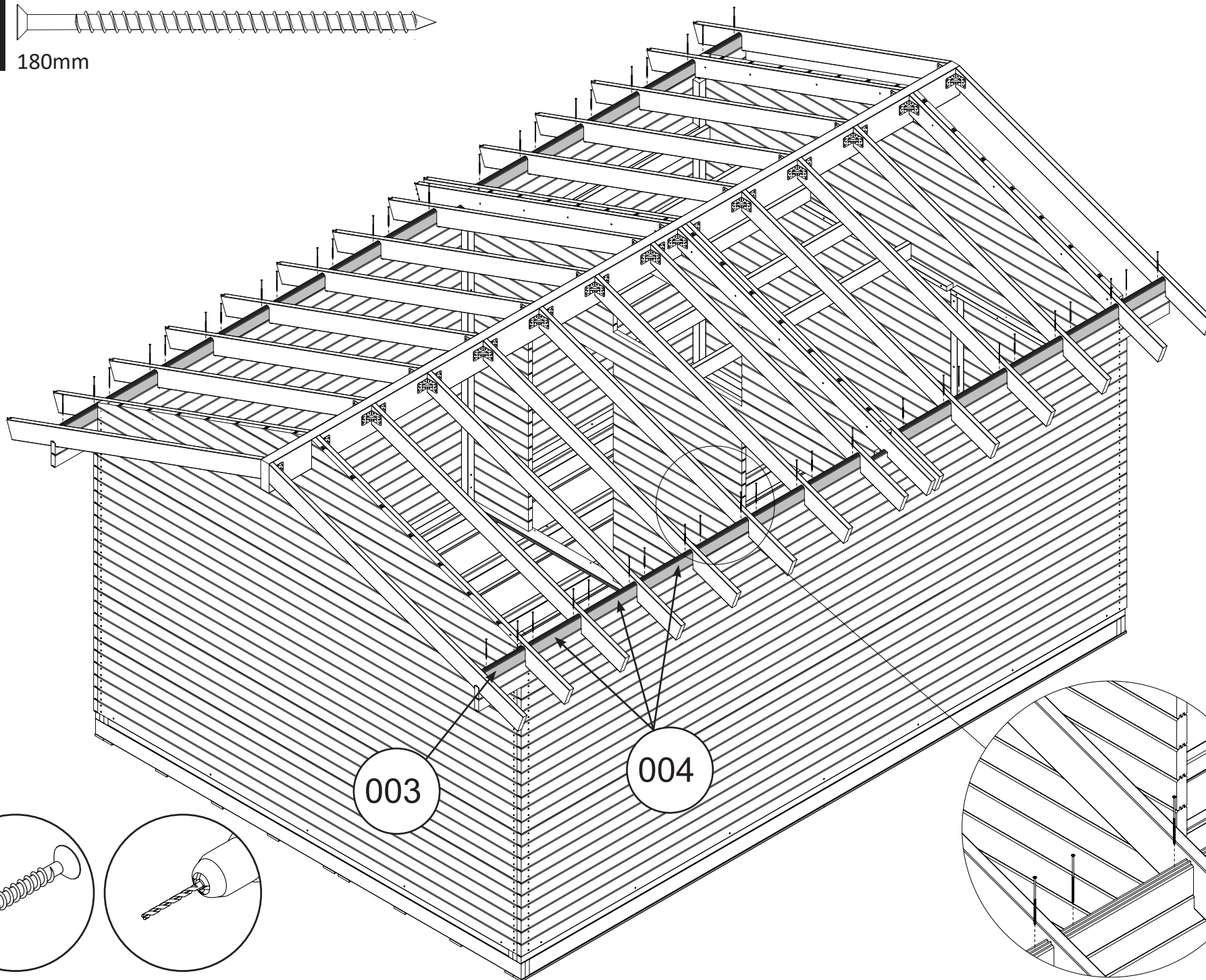
180mm



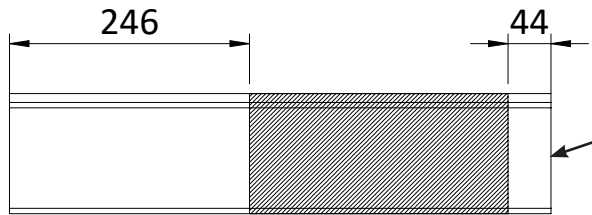
40



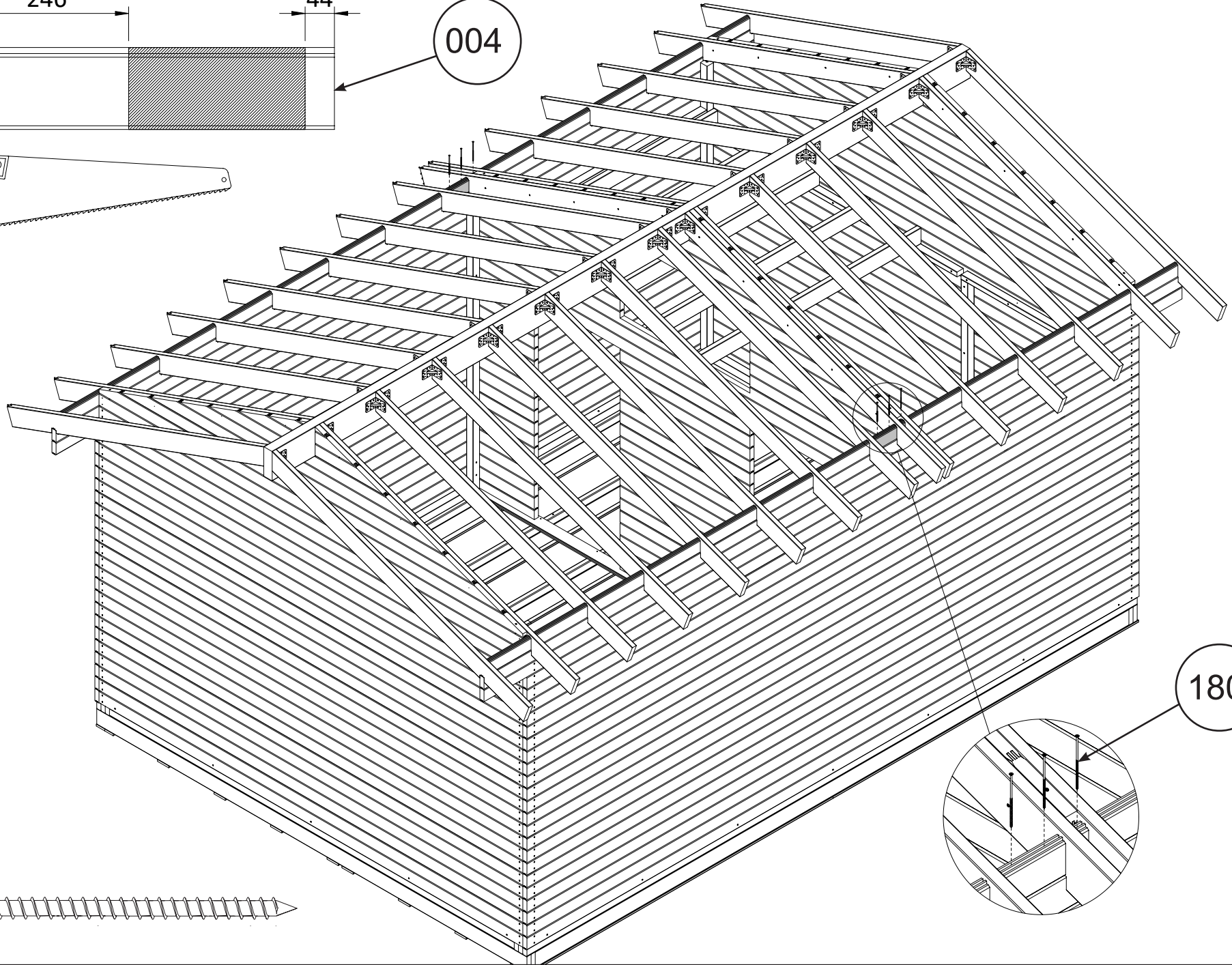
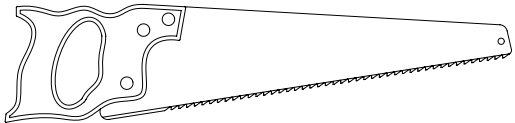
180mm



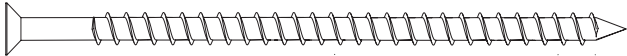
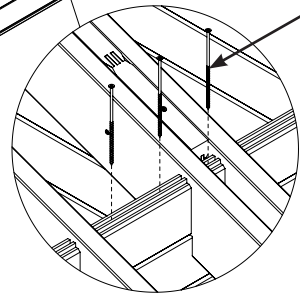
41



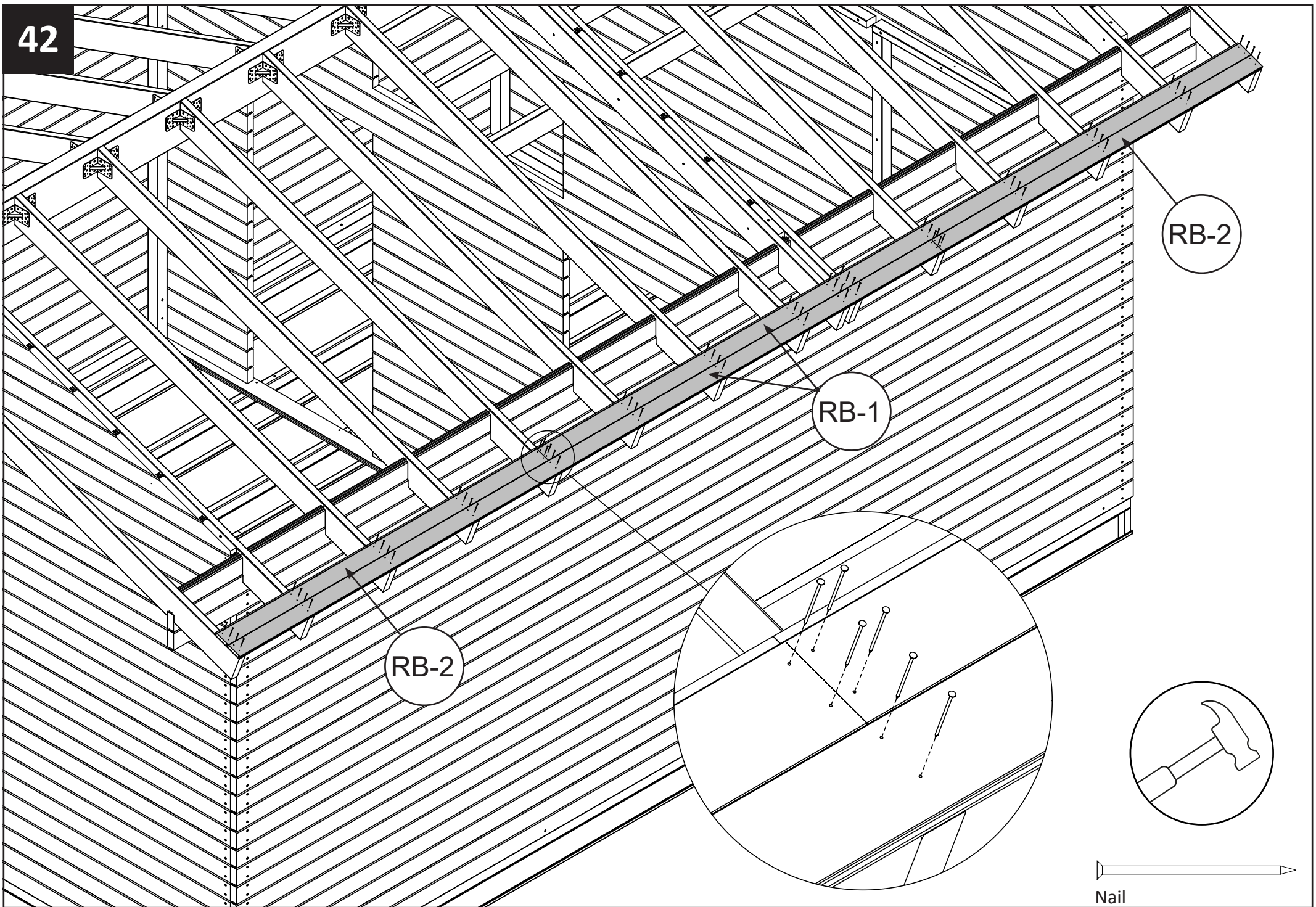
004



180



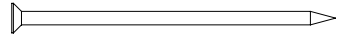
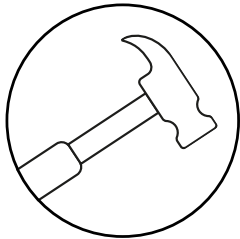
180mm



RB-2

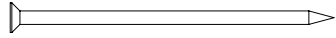
RB-1

RB-2

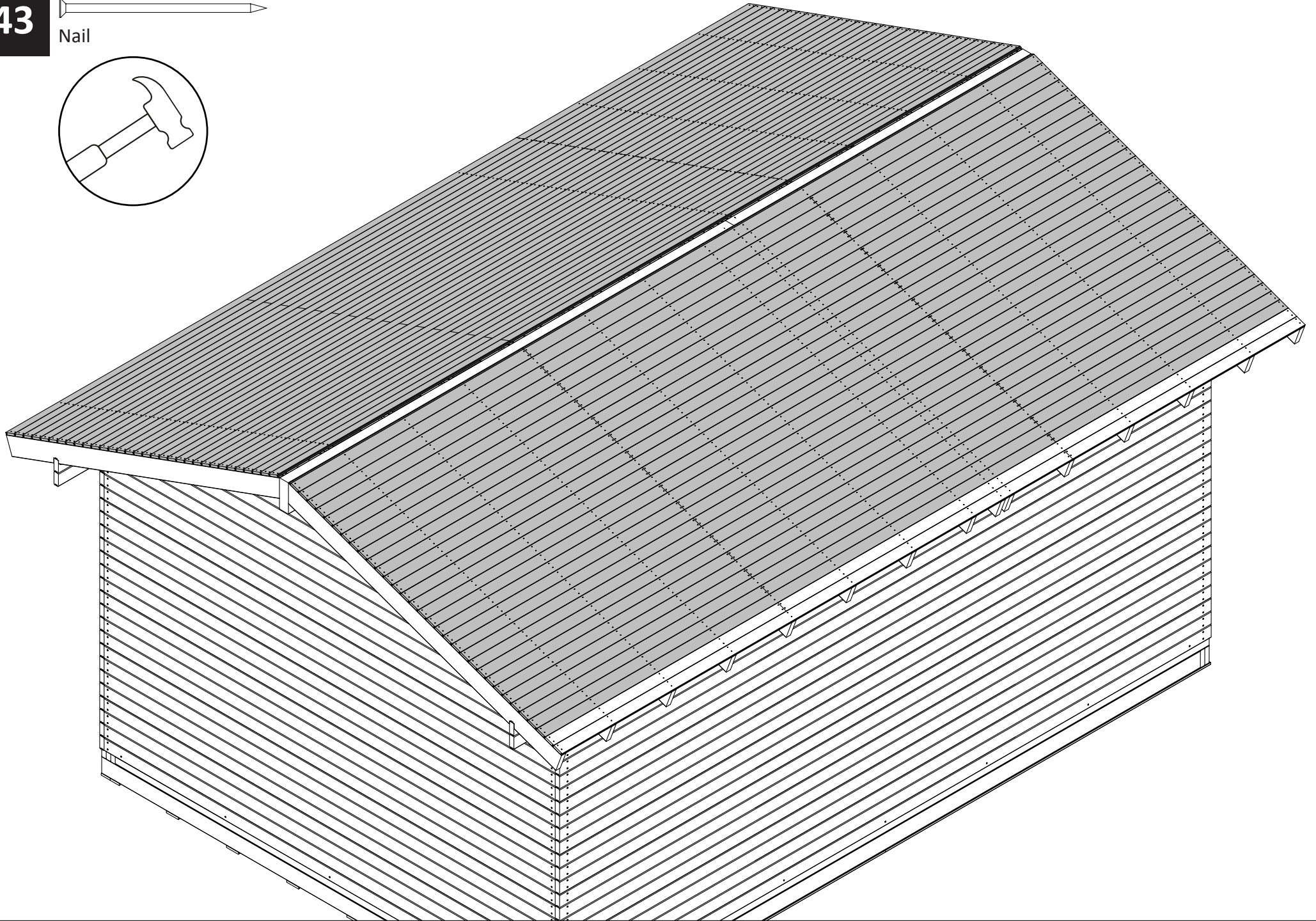
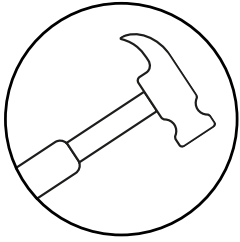


Nail

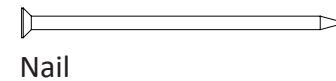
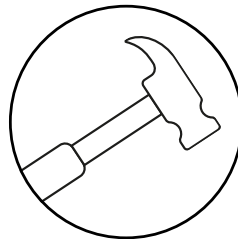
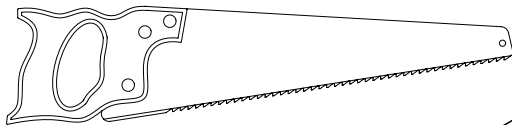
43



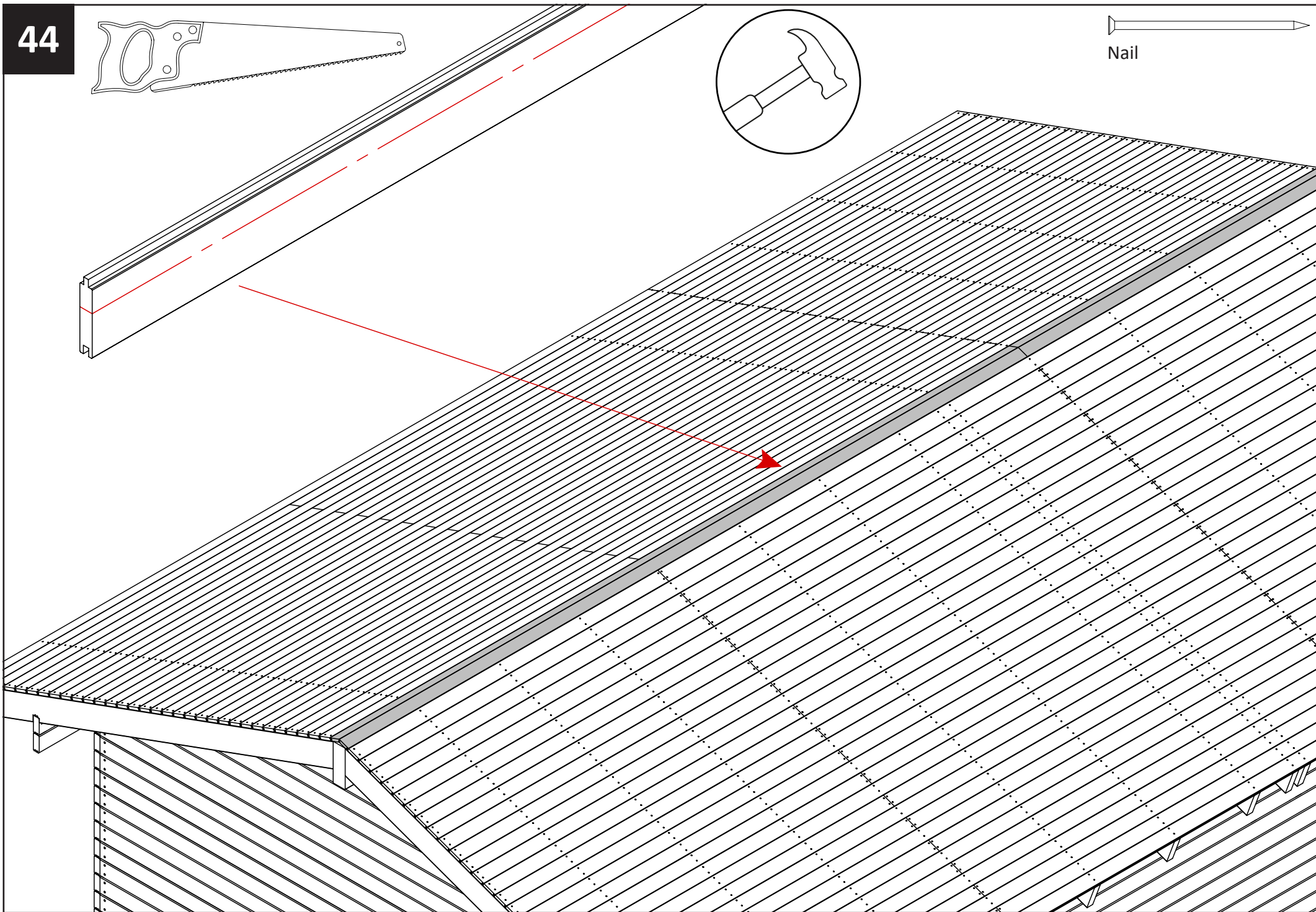
Nail



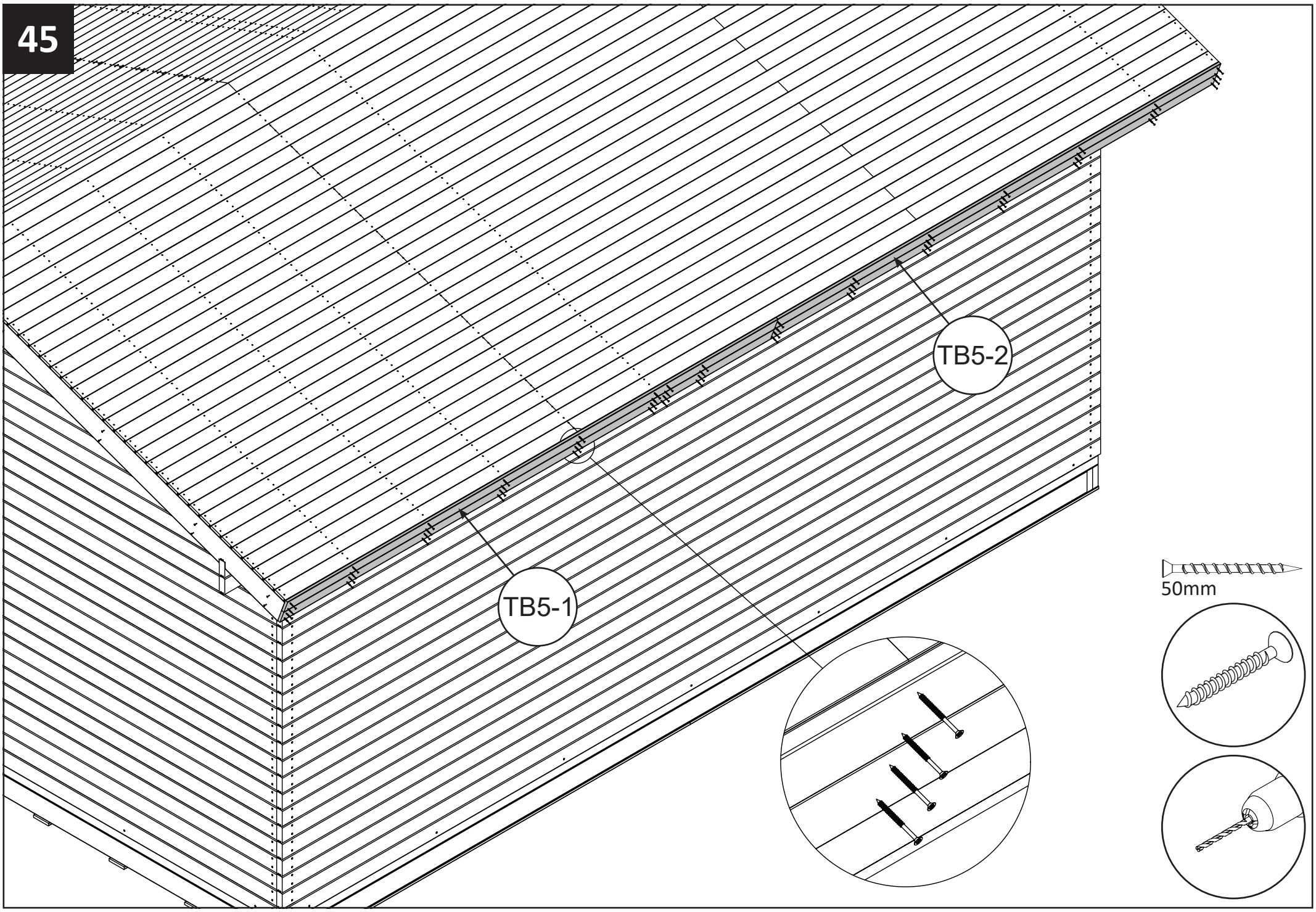
44



Nail



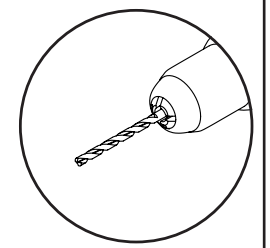
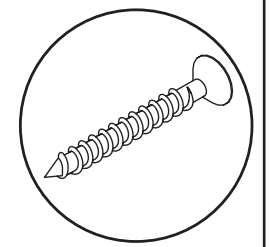
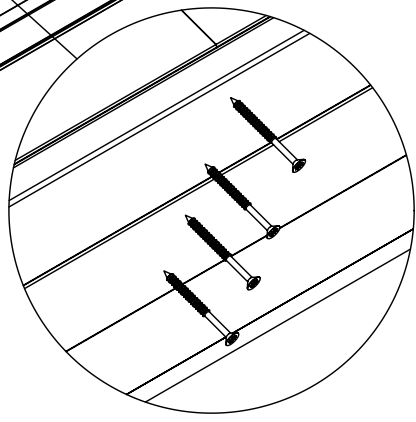
45



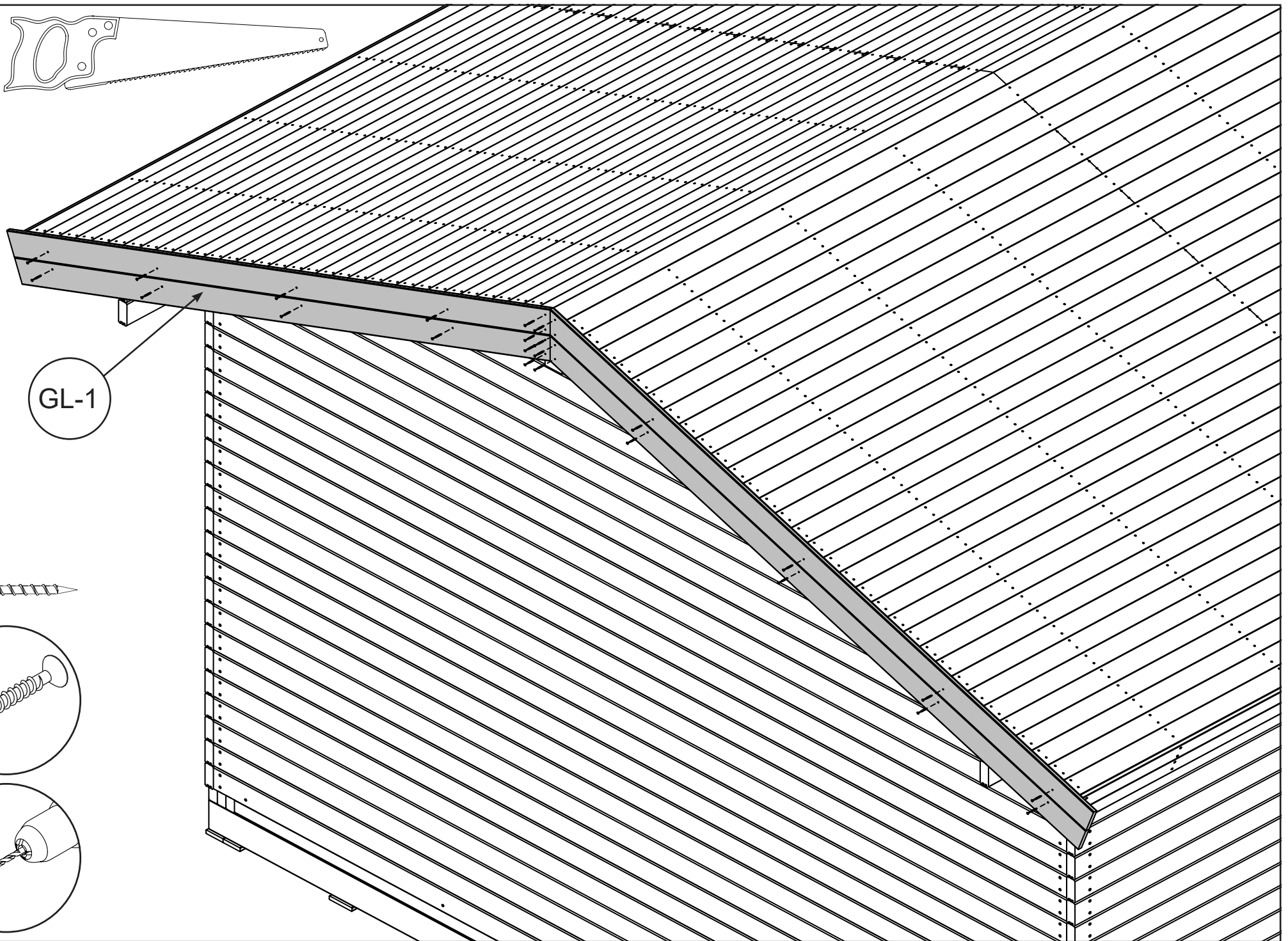
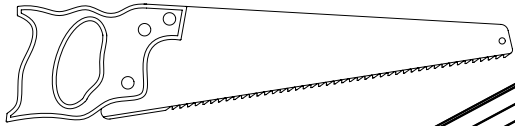
TB5-1

TB5-2

50mm

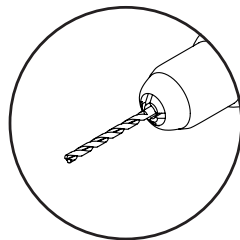
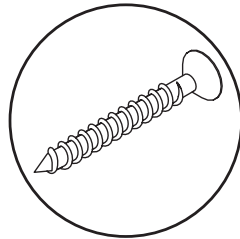


46

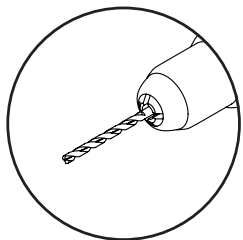
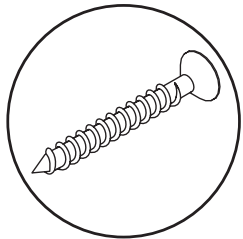
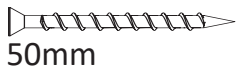
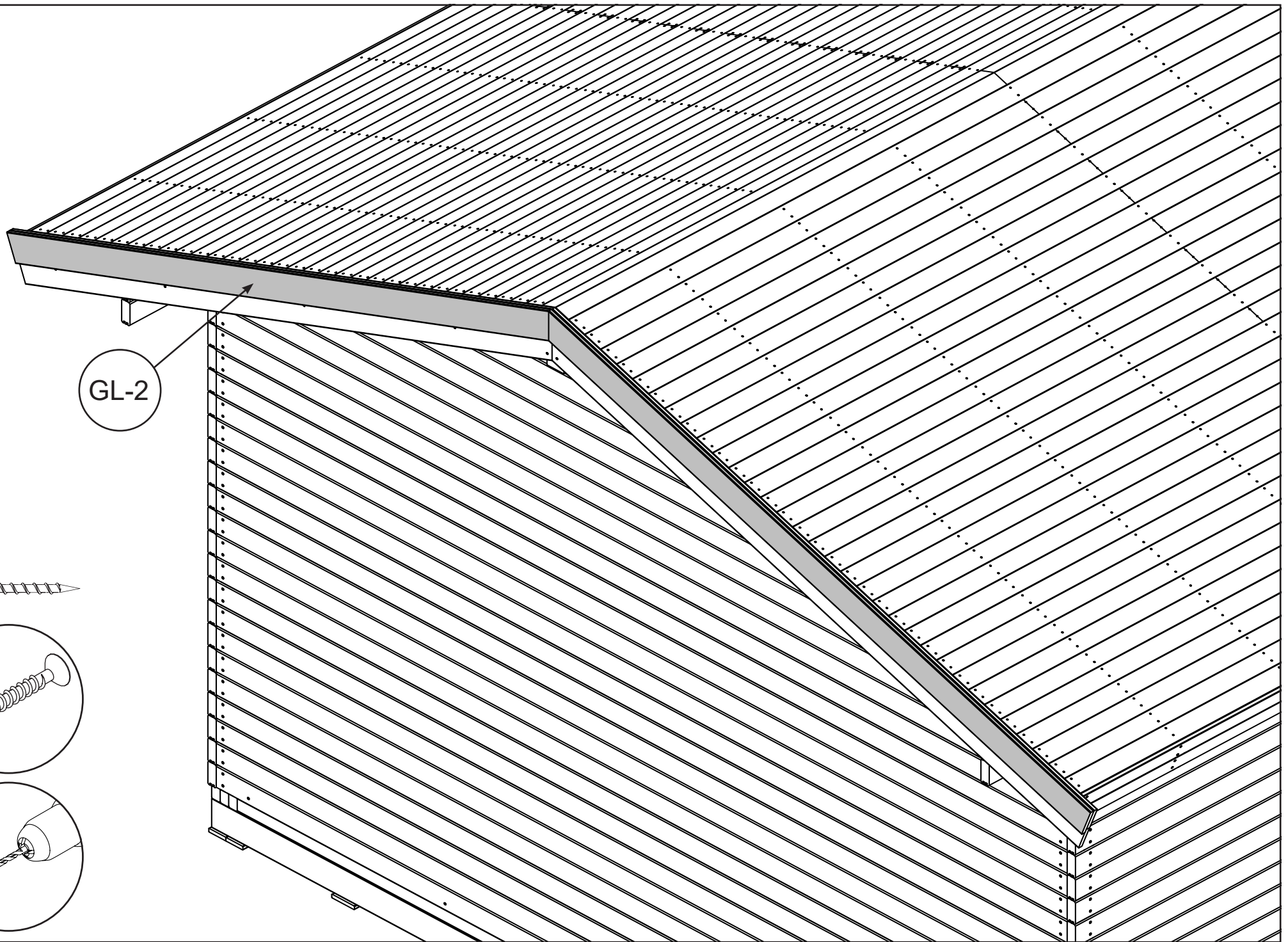


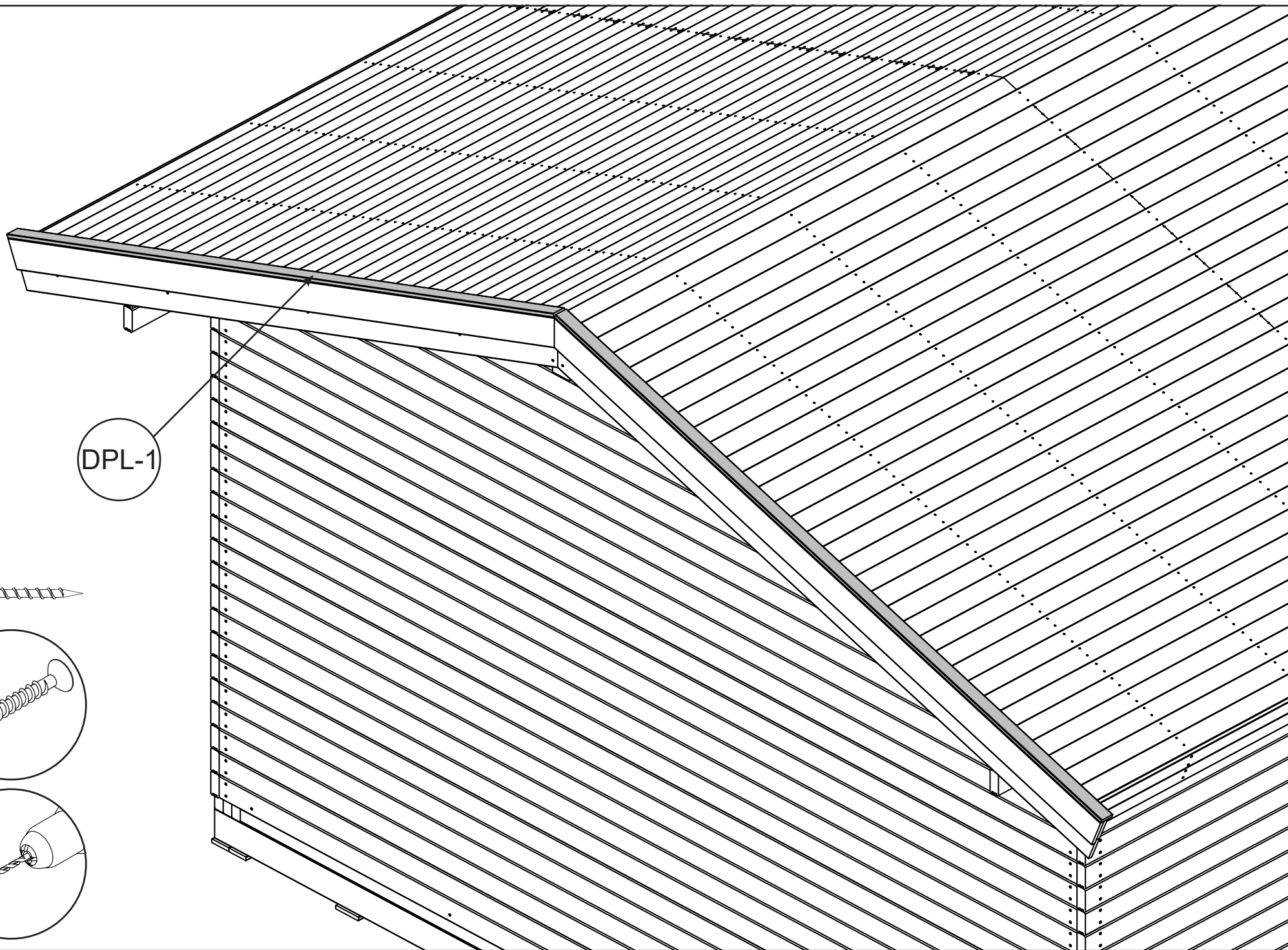
GL-1

50mm



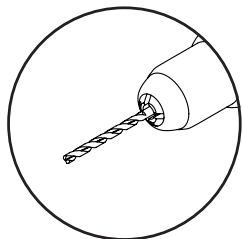
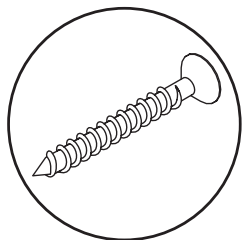
47

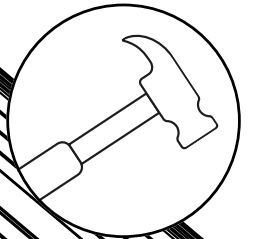




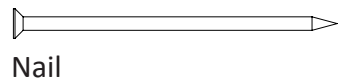
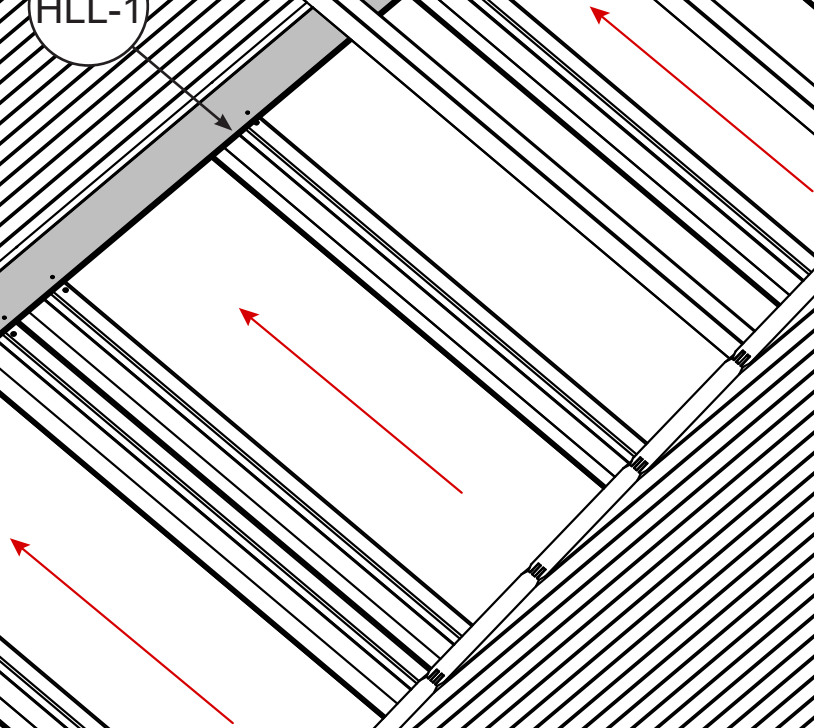
DPL-1

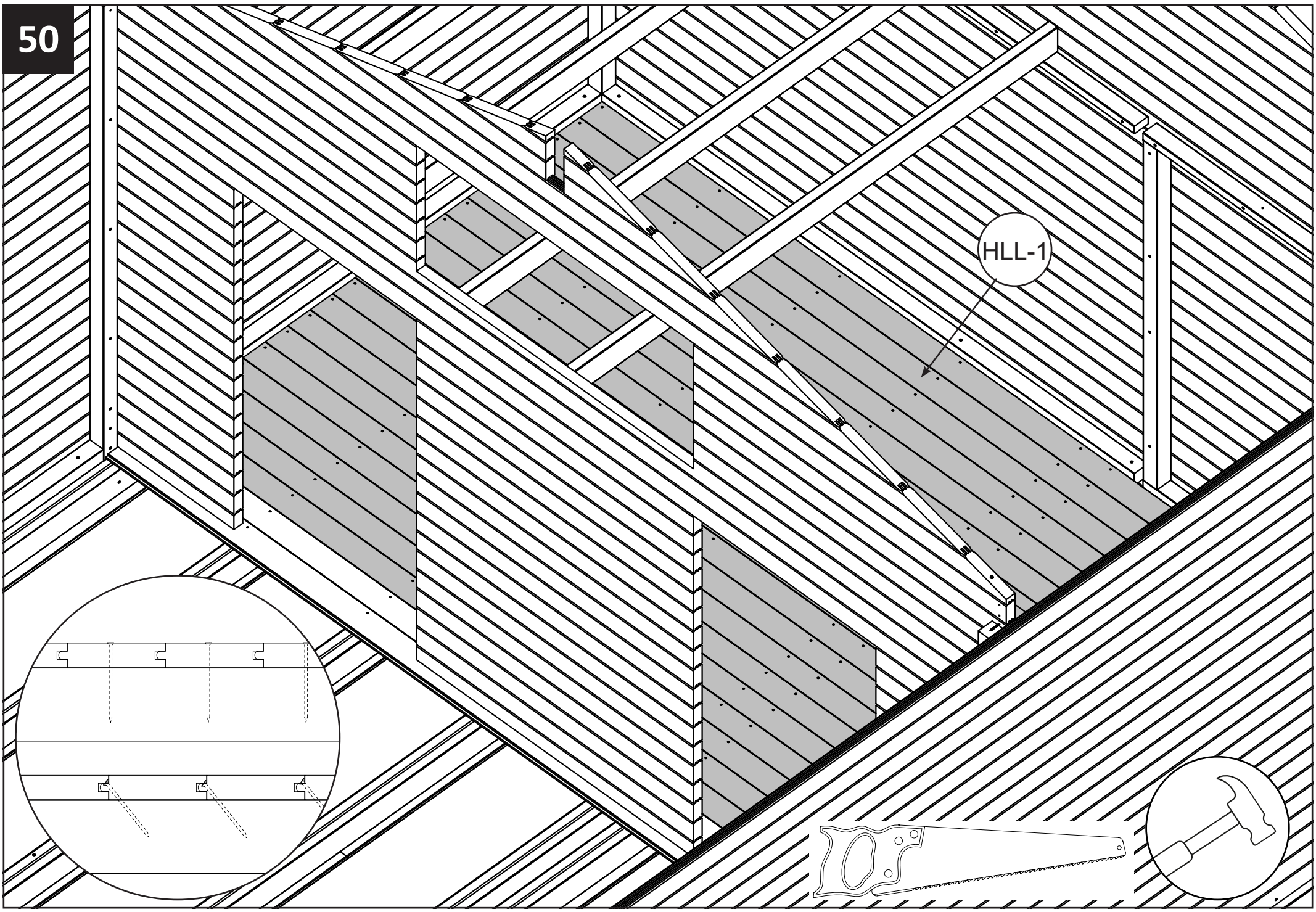
50mm



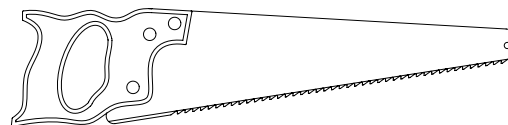


HLL-1

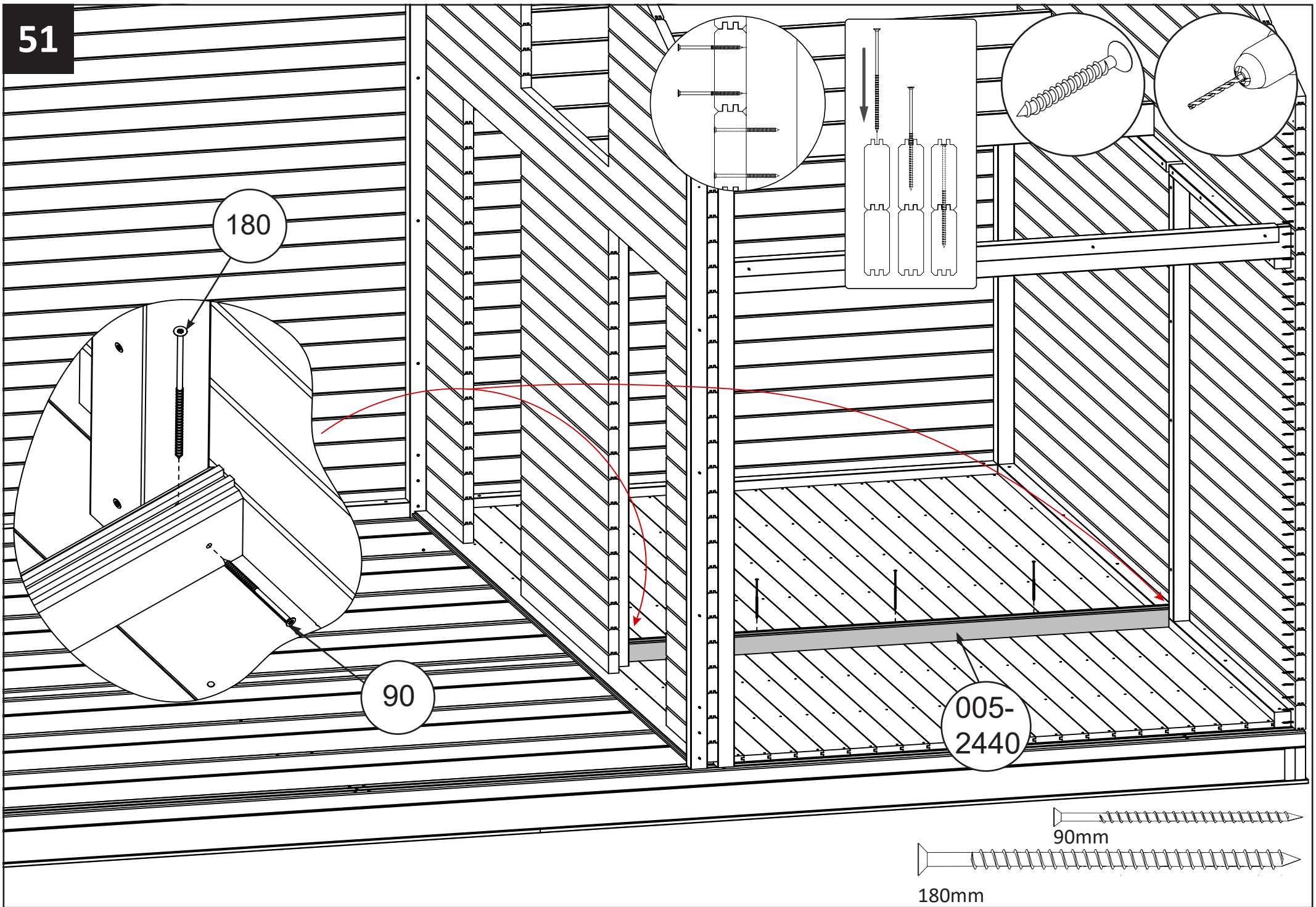




51 CUT



WALL	GROUNDPLAN		CUT	QTY	NEW IDENT
WC	1	005 + 006 + 007	<p style="text-align: center;">2440</p> <p style="text-align: center;">3039</p>	<p style="text-align: center;">x 1 + x 19 + x 1</p>	<p style="text-align: center;">005-2440 + 006-2440 + 007-2440</p>
	2	005 + 006 + 007	<p style="text-align: center;">1841</p> <p style="text-align: center;">3039</p>	<p style="text-align: center;">x 1 + x 19 + x 1</p>	<p style="text-align: center;">005-1841 + 006-1841 + 007-1841</p>



180

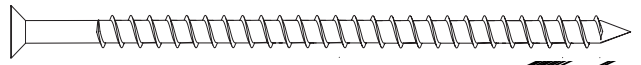
90

005-2440

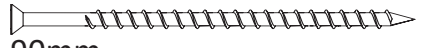
90mm

180mm

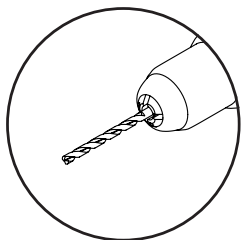
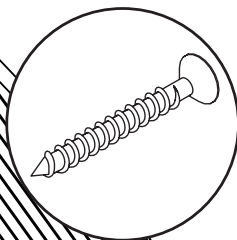
52



180mm



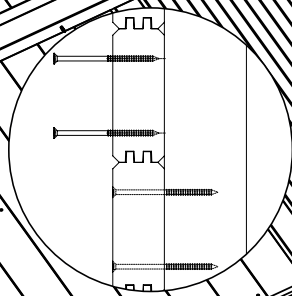
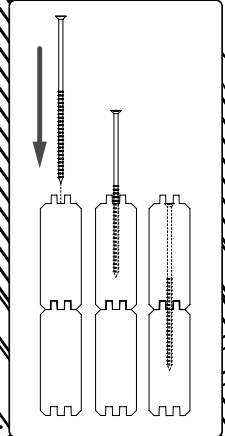
90mm

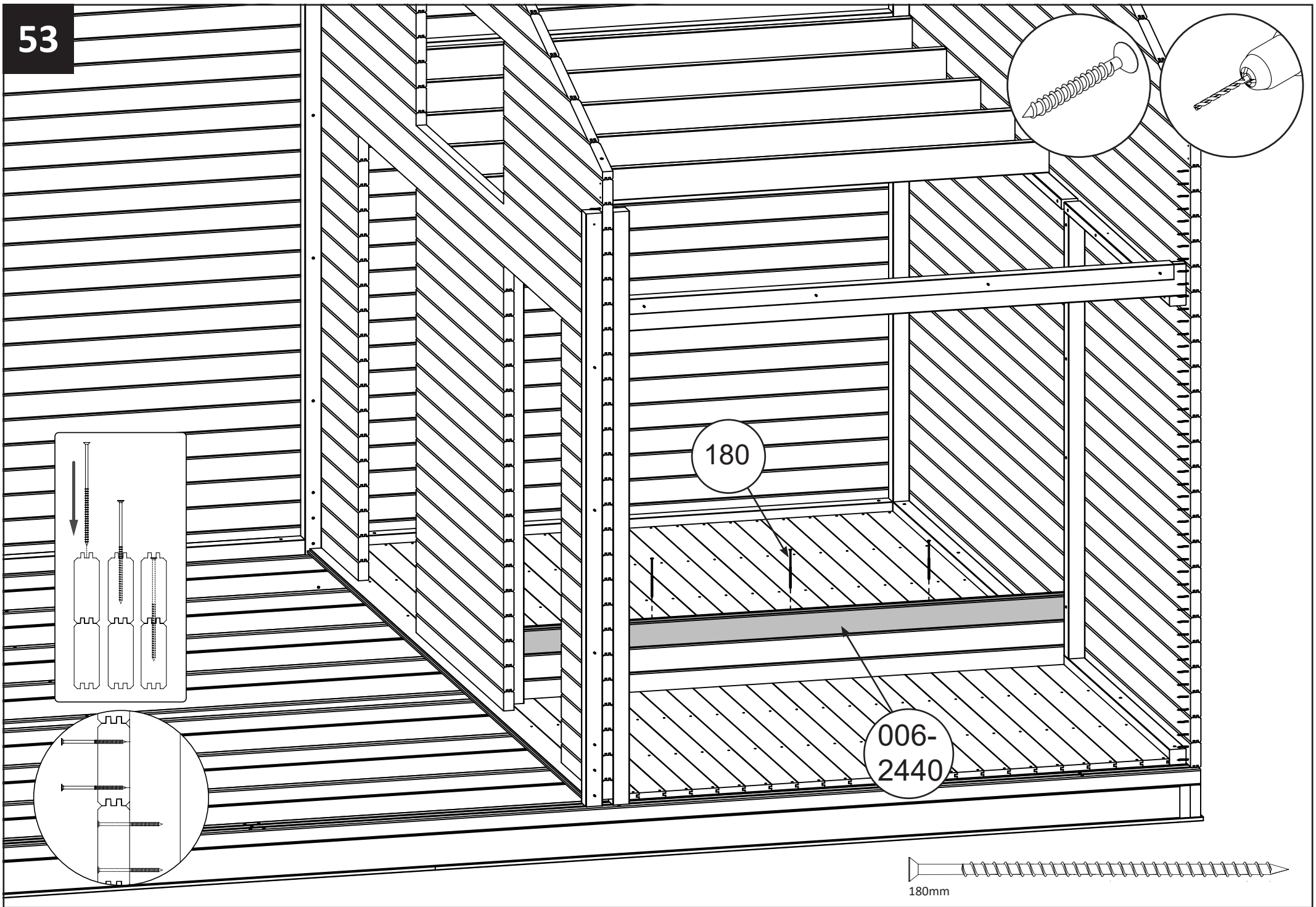


90

180

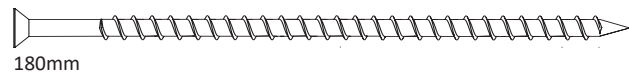
006-2440

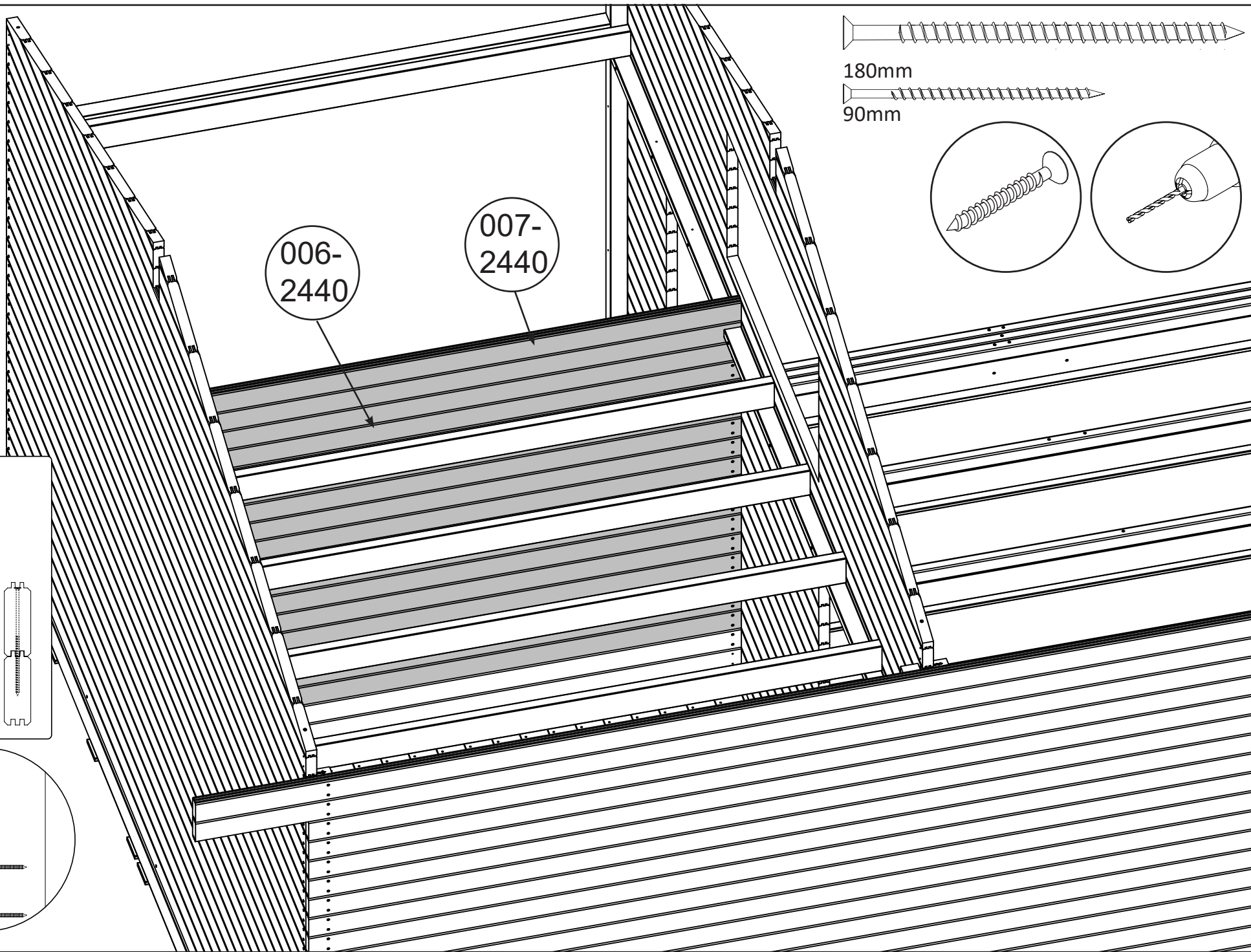


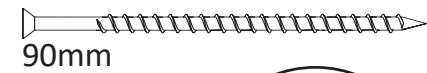


180

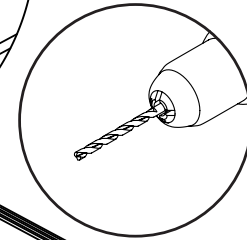
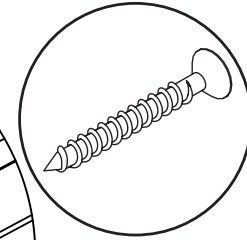
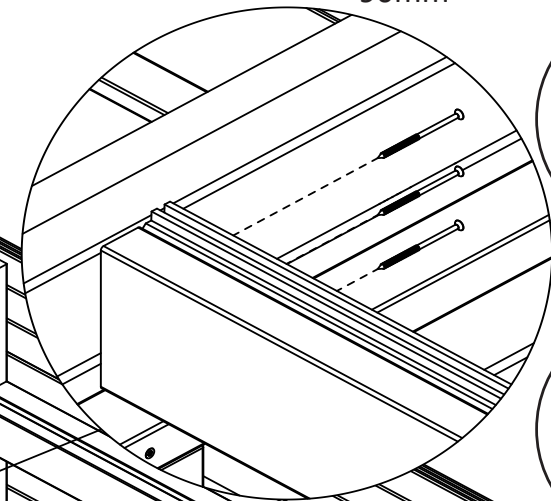
006-2440



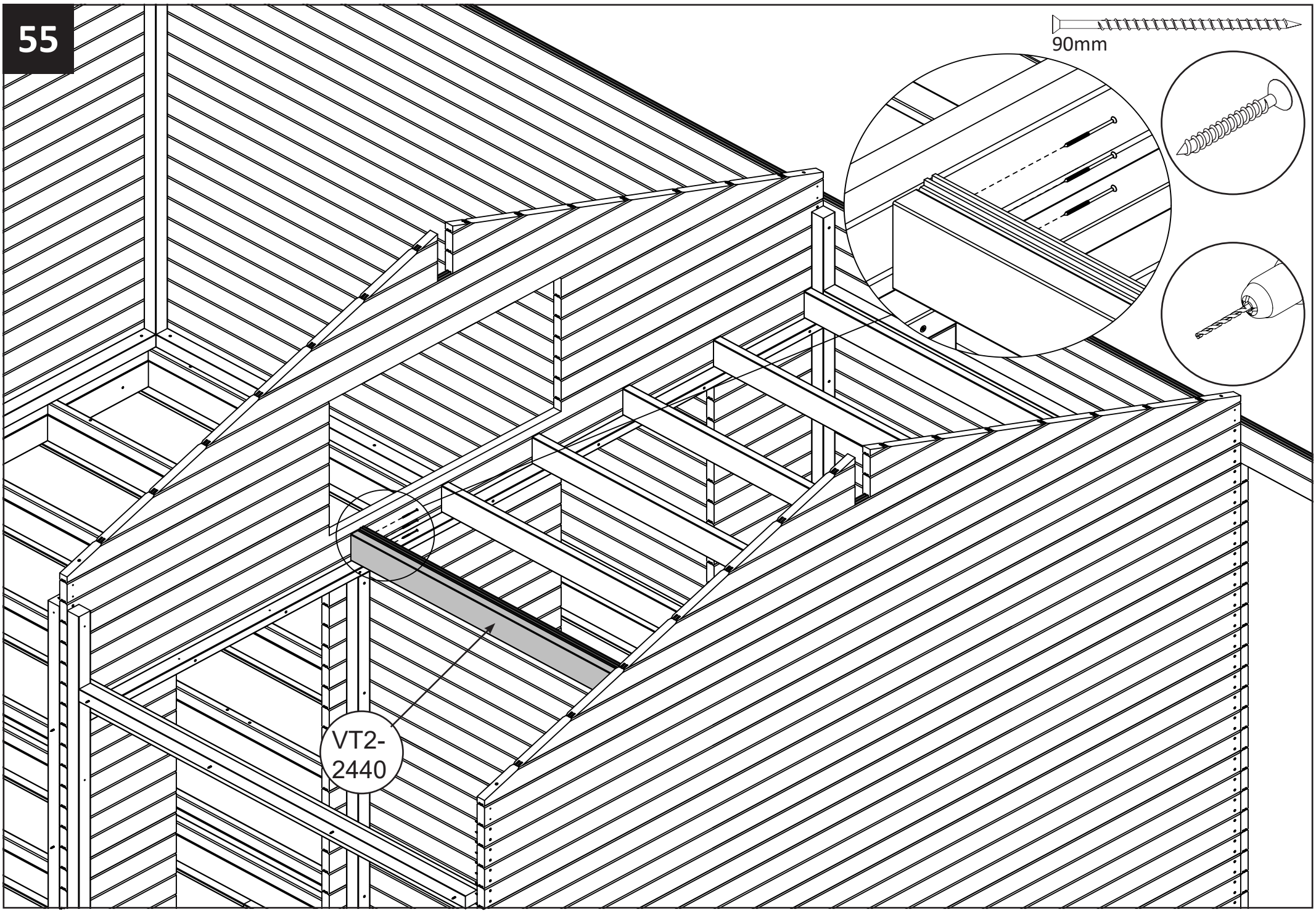


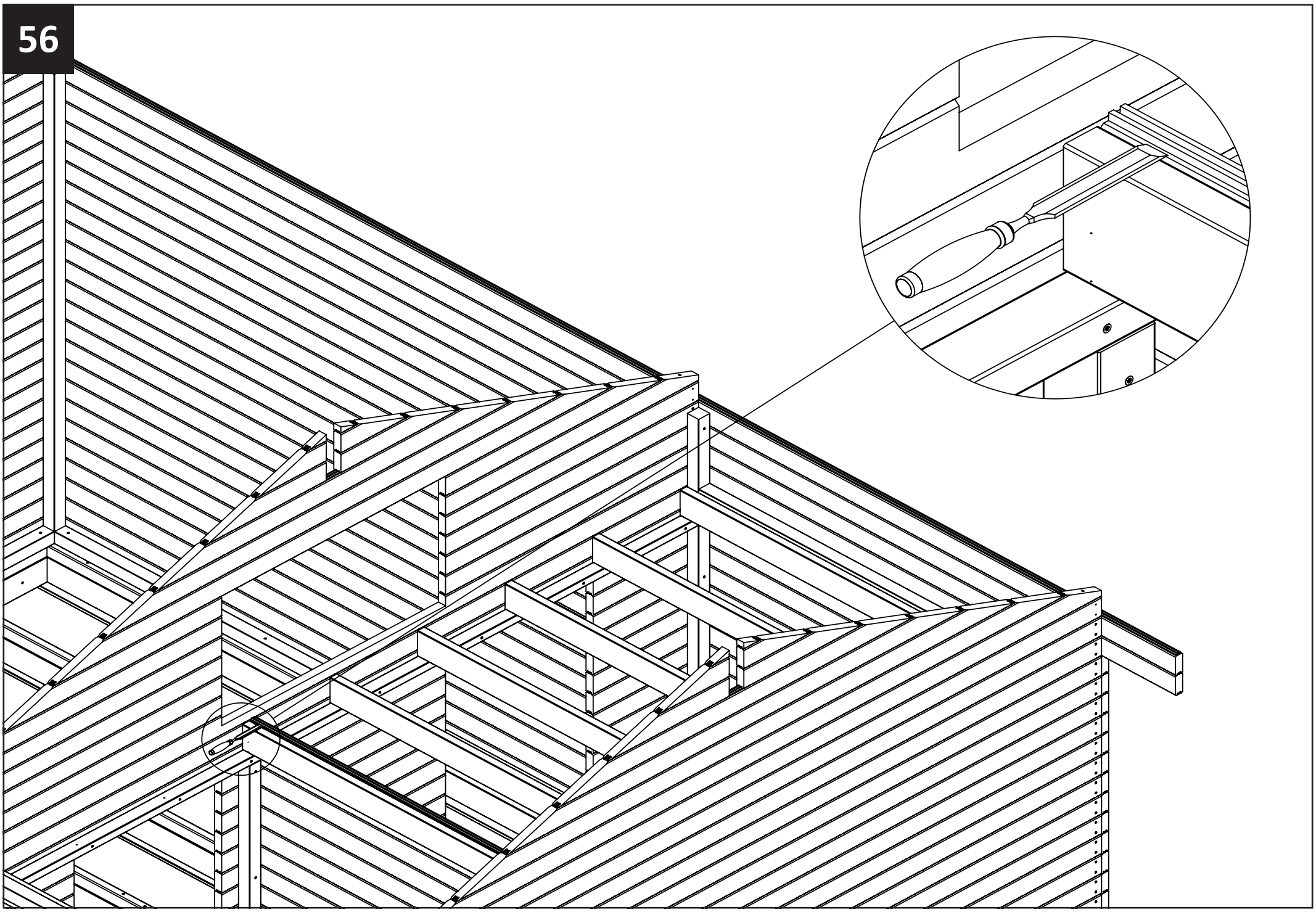


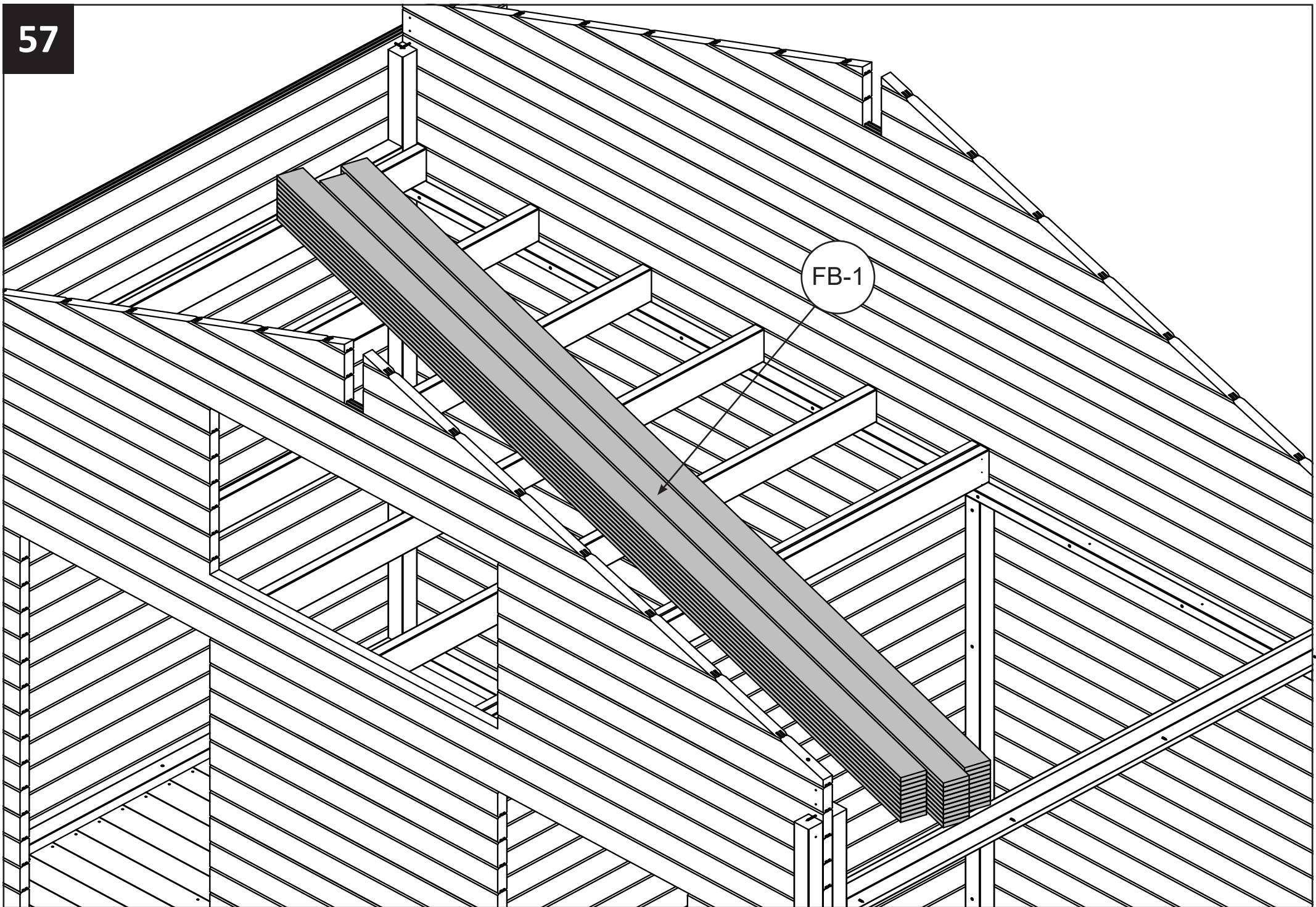
90mm

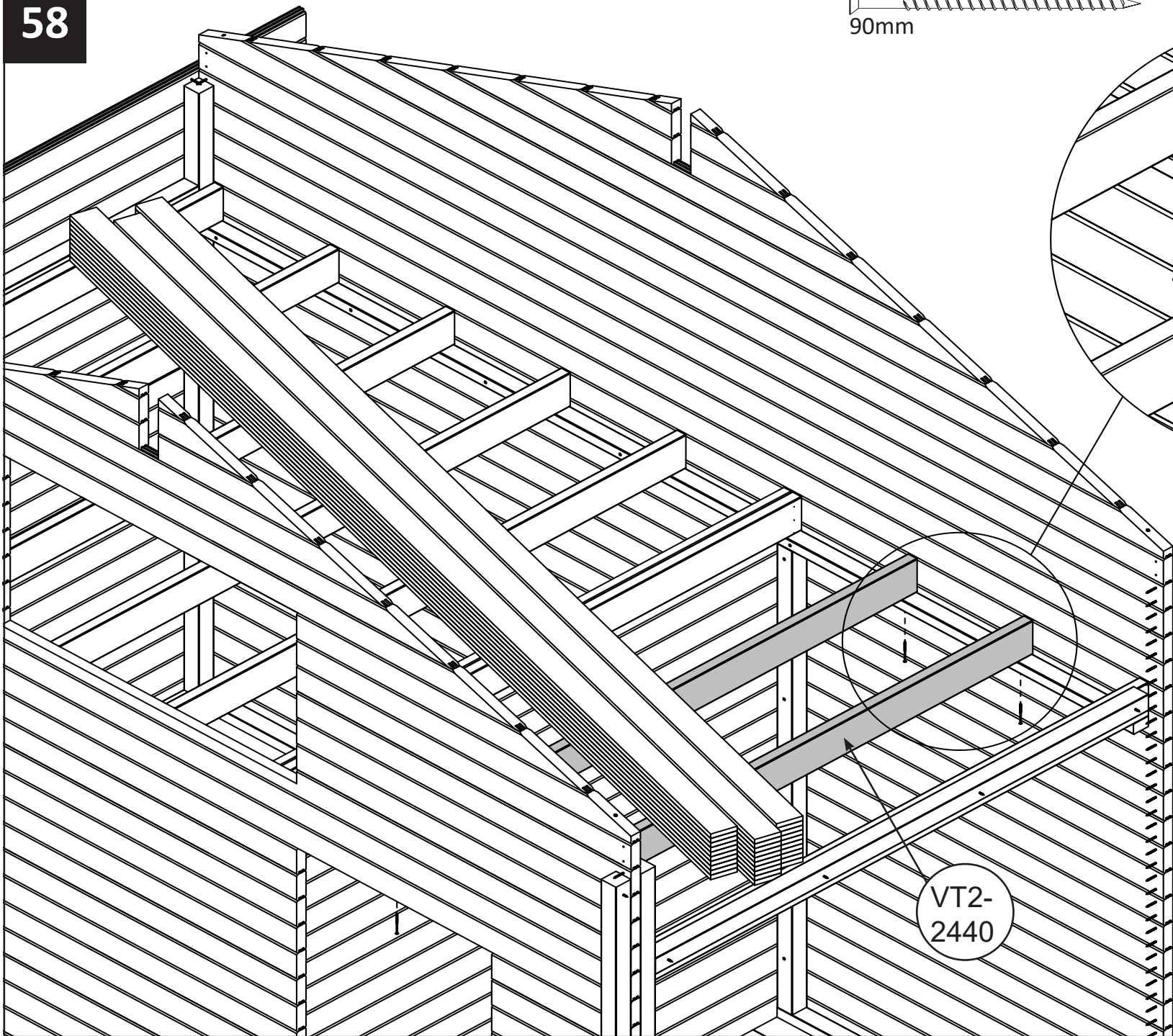
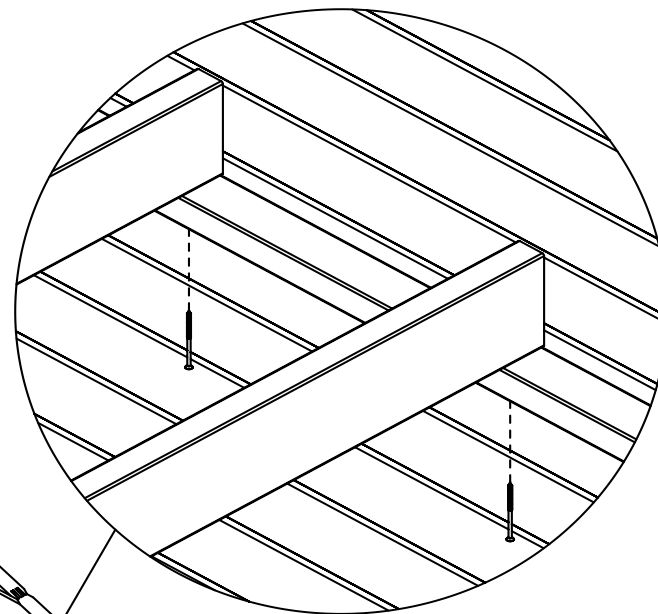
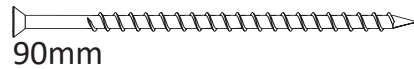


VT2-2440

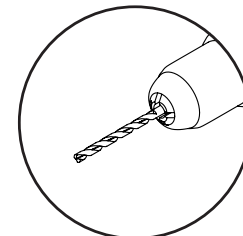
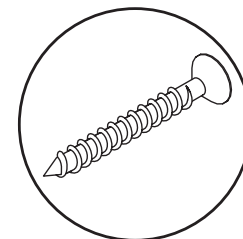






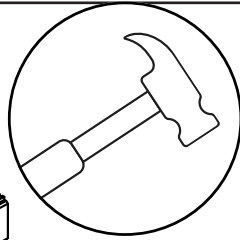


VT2-
2440

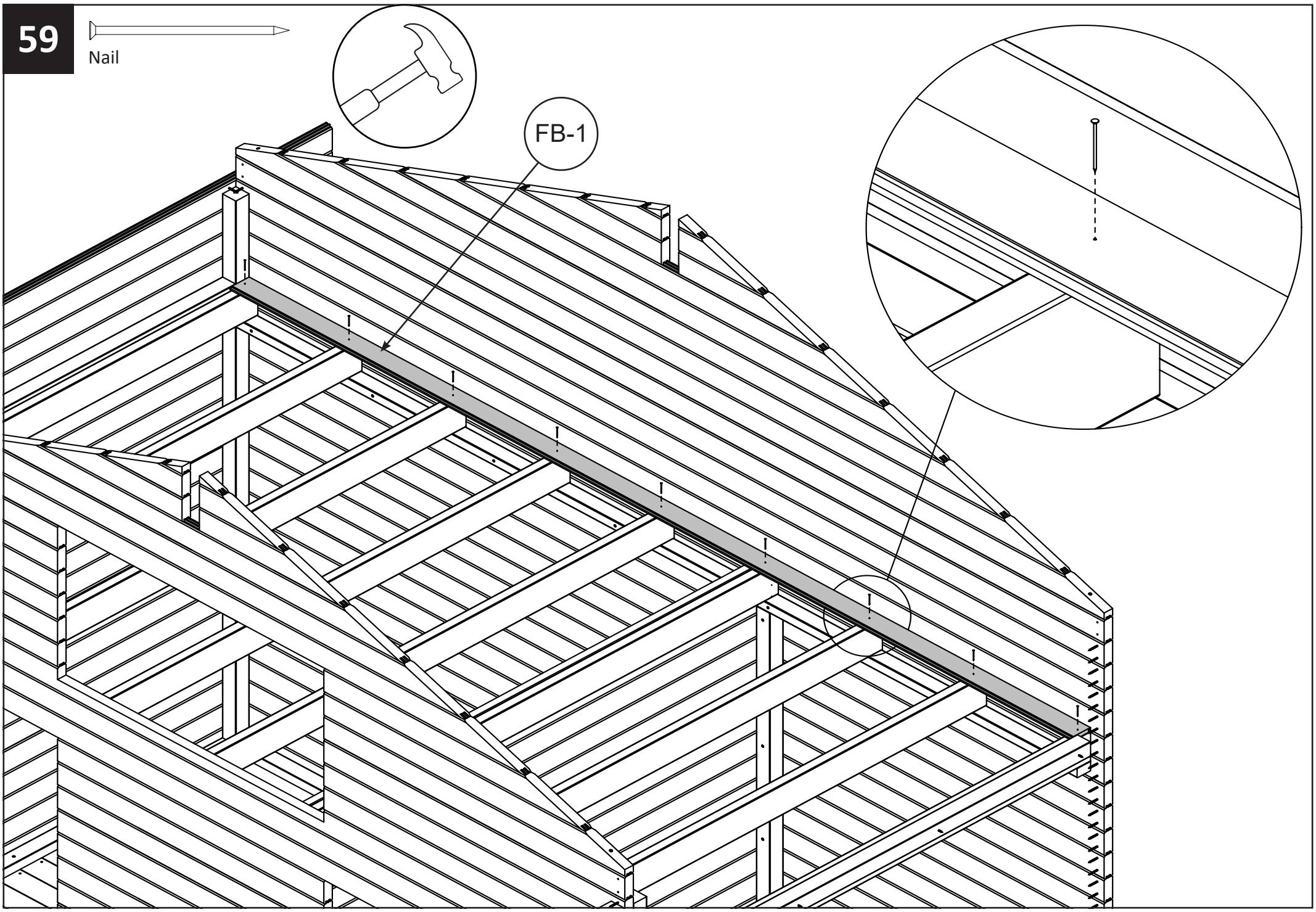
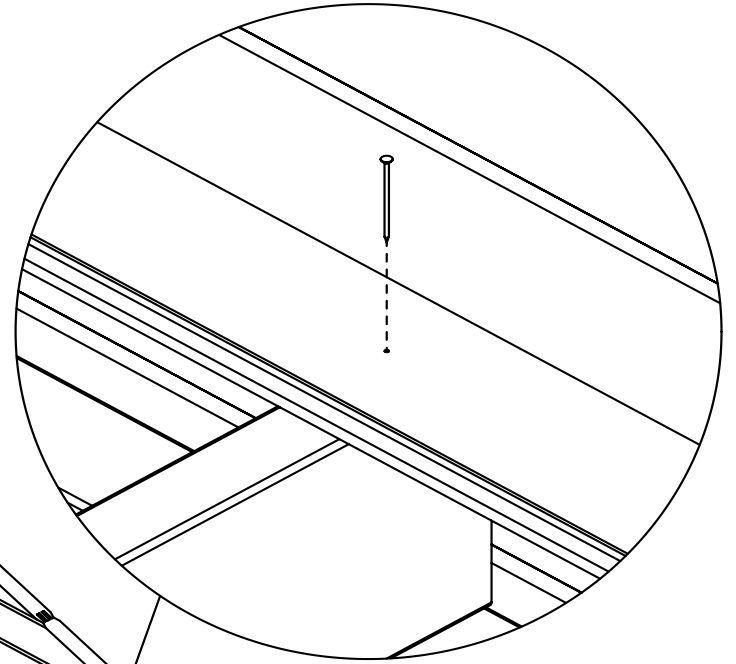


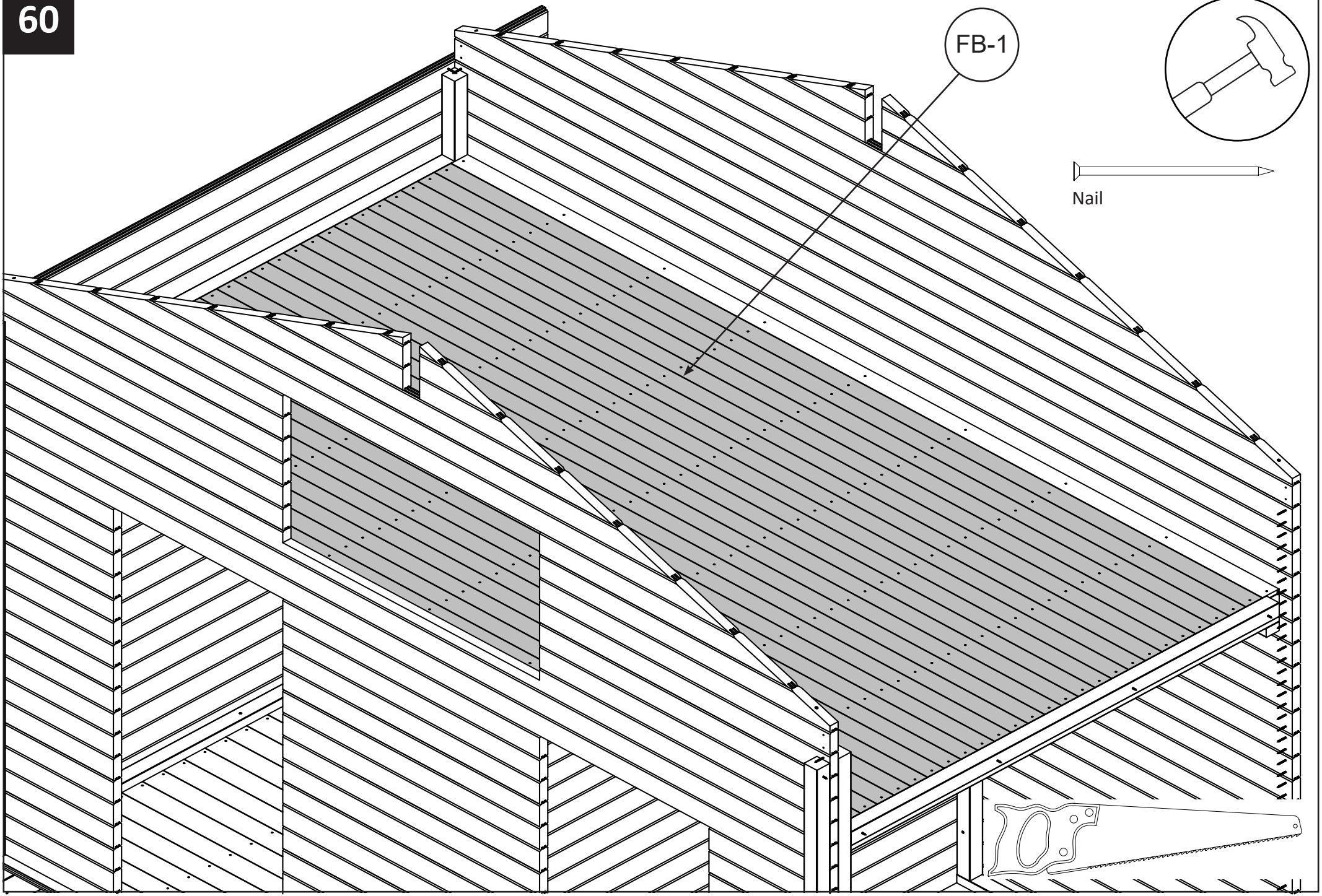
59

Nail

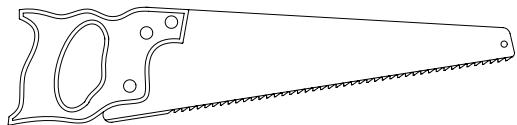
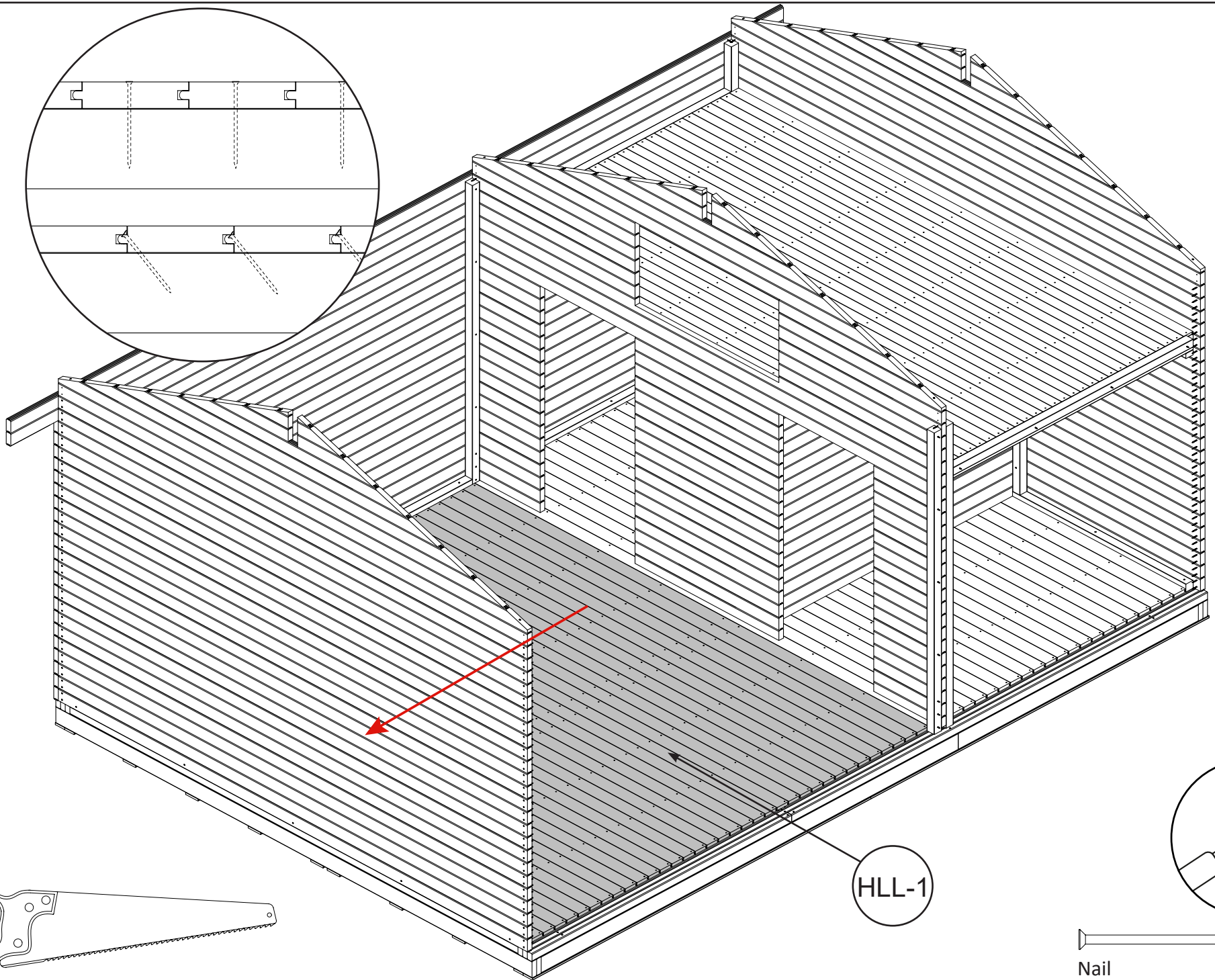
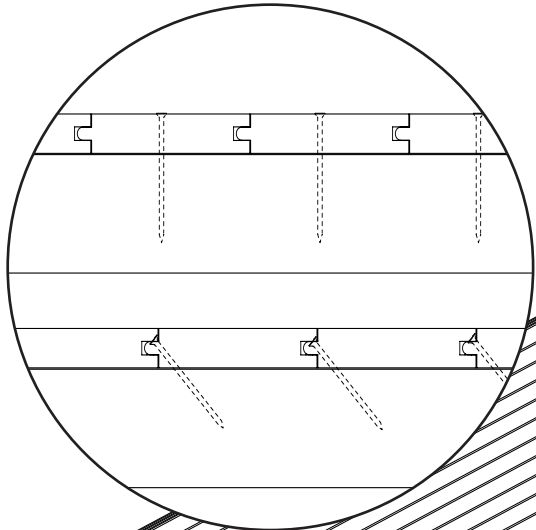


FB-1

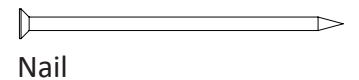
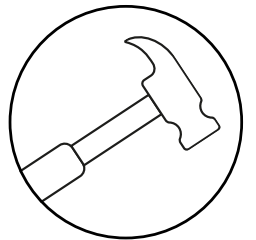


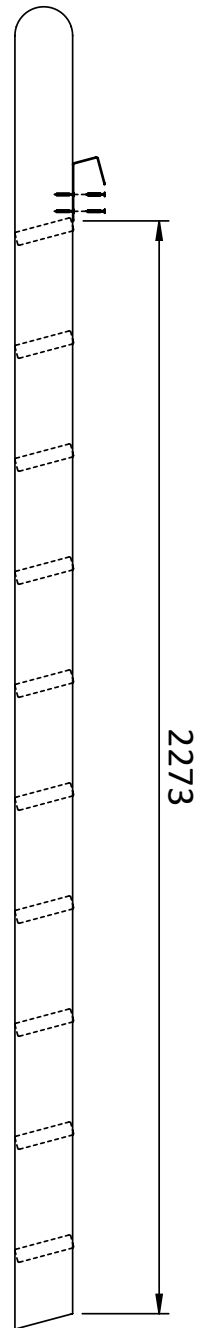
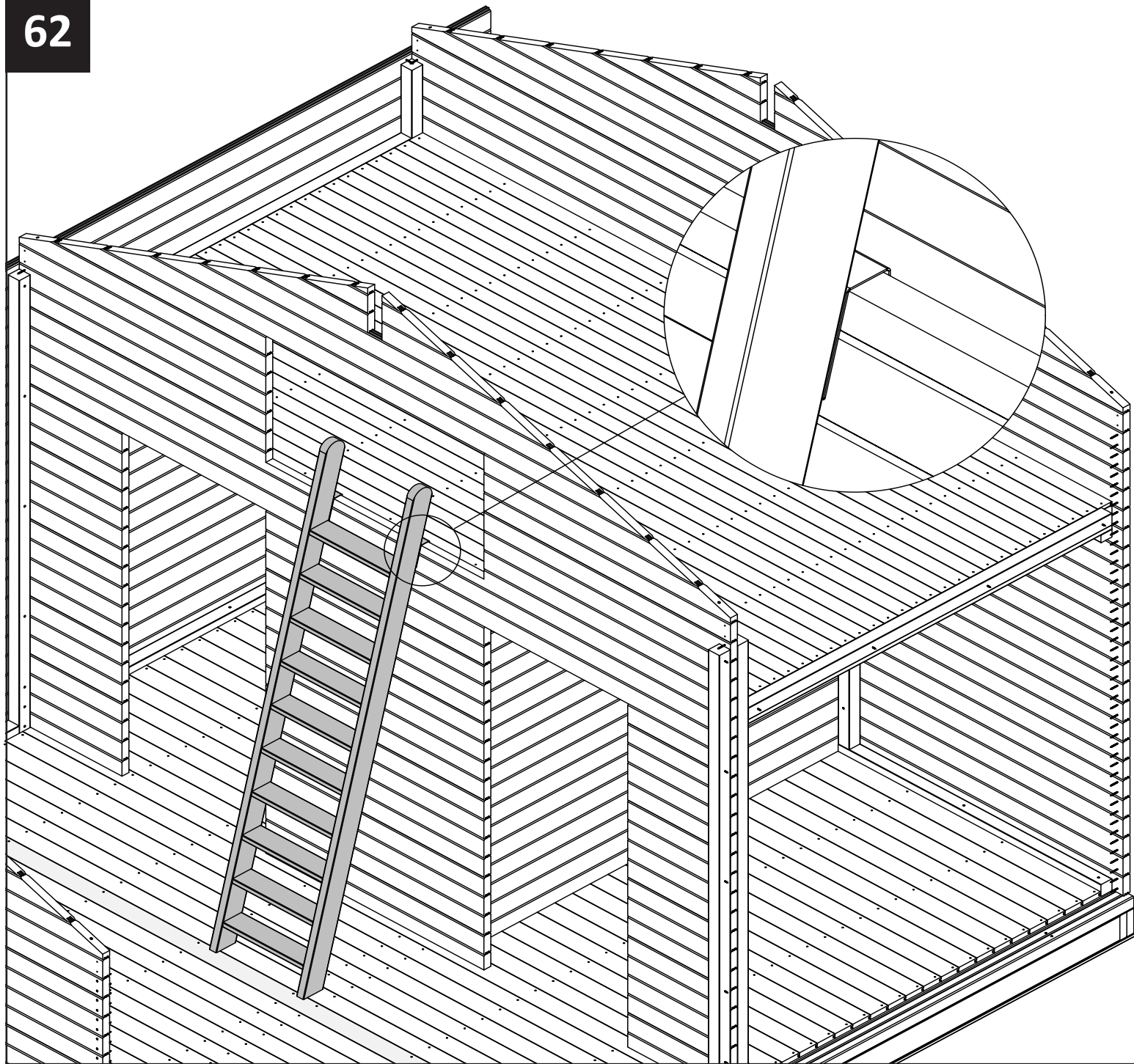


61

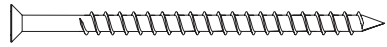


HLL-1

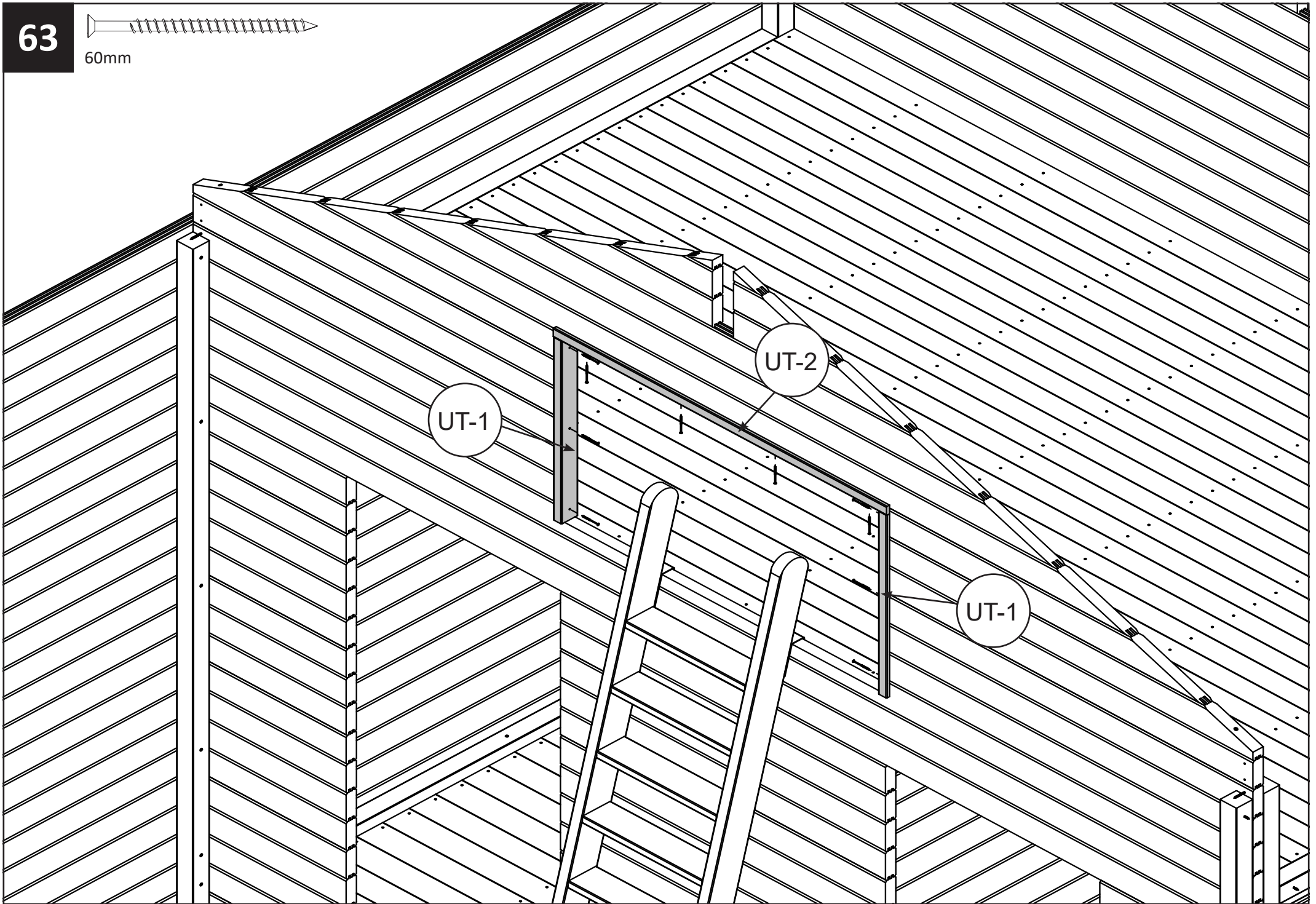


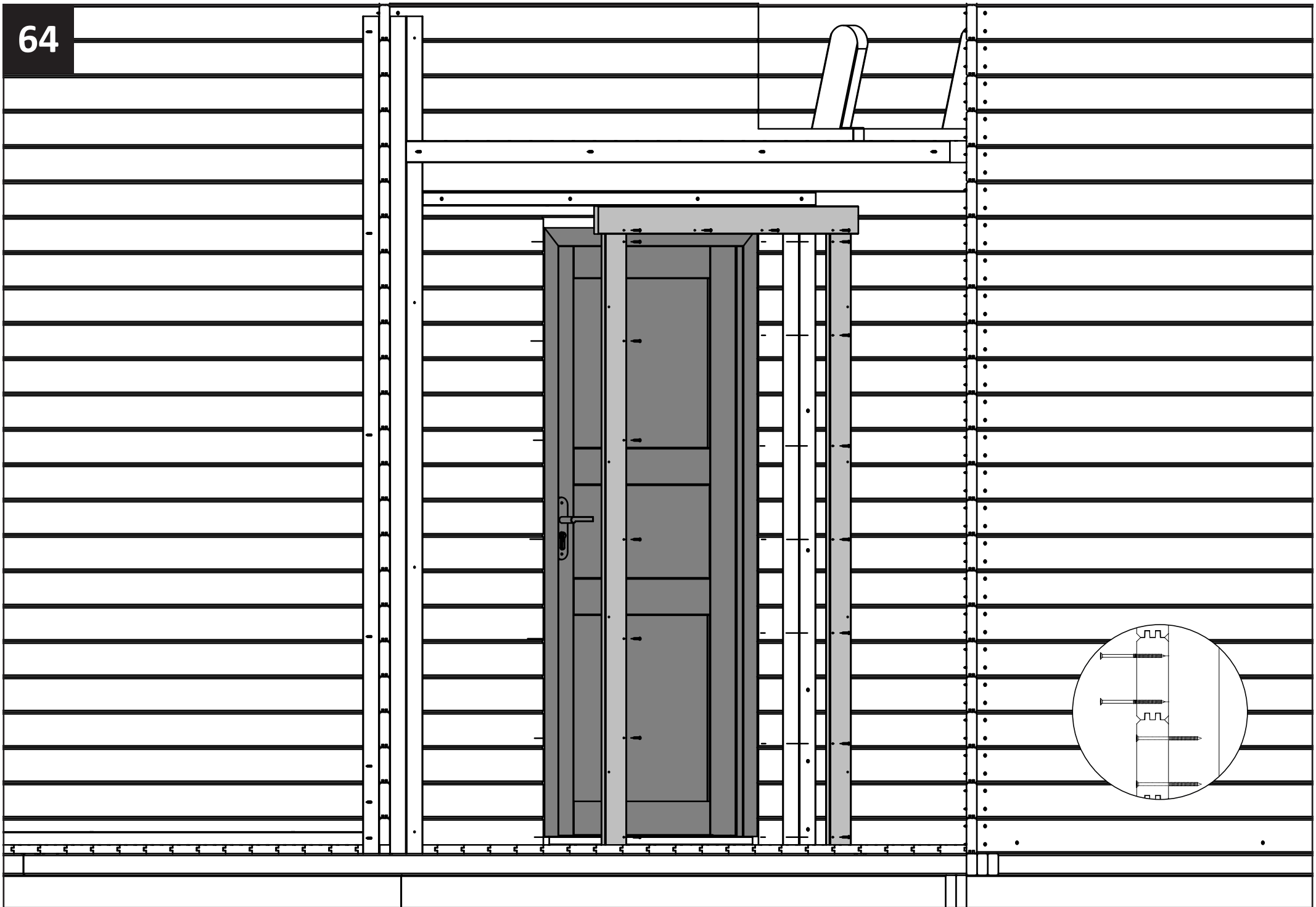


63



60mm





65

